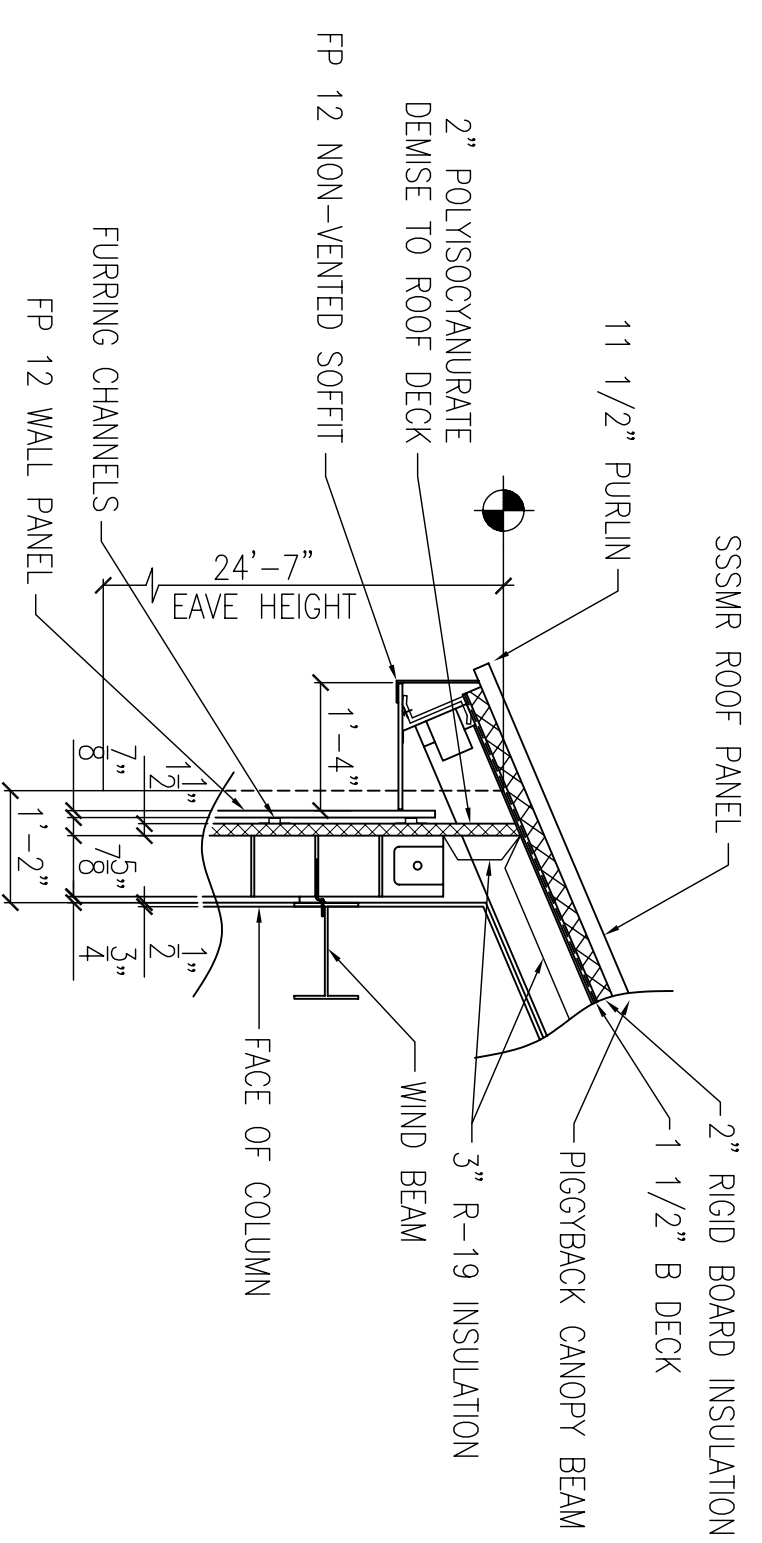
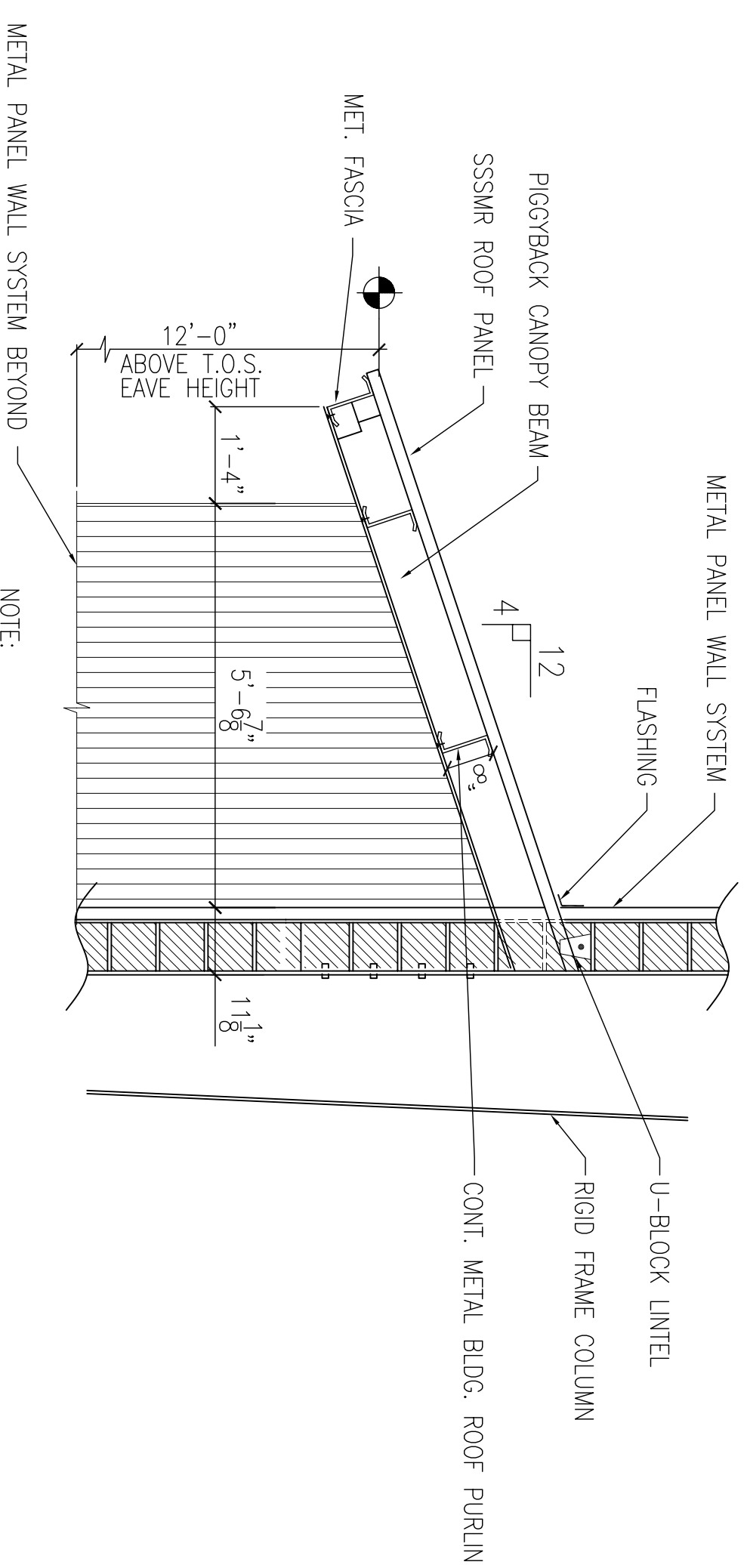


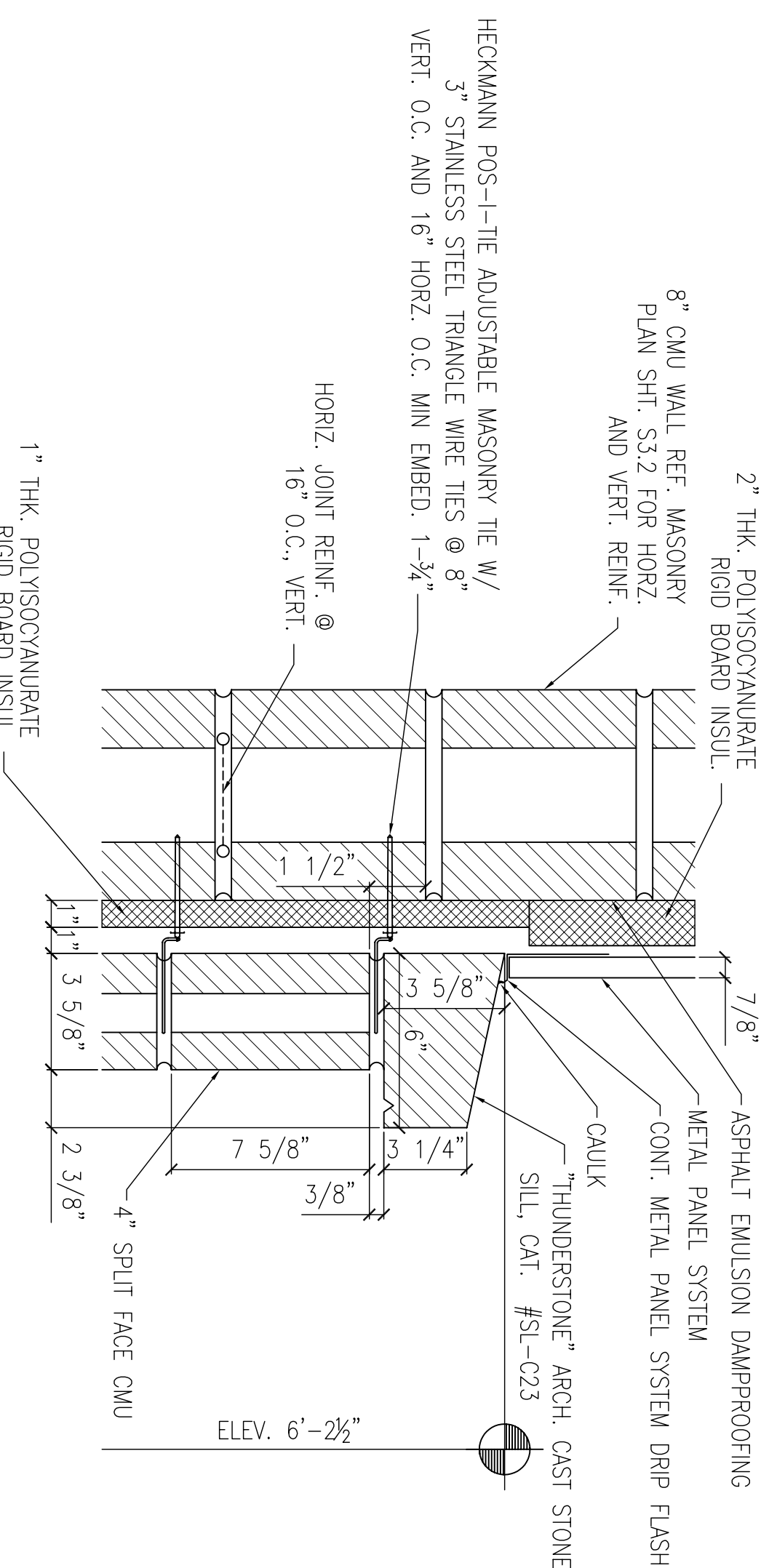
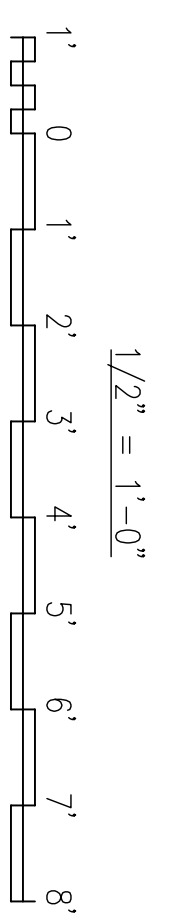
FRAMING SECTION AT CLERESTORY
1/2" = 1'-0"
A1.8



ROOF OVERHANG DETAIL
1/2" = 1'-0"
A1.3



SECTION AT FRONT ENTRANCE OVERHANG
1/2" = 1'-0"
A1.9



CAST STONE SILL DETAIL
N.T.S.
A1.3



SYM	DESCRIPTION	DATE	APPR

DAMMON ENGINEERING, INC.
 REGISTERED PROFESSIONAL ENGINEER
 STATE OF LOUISIANA
 LICENSE NO. 36822
 1001 PINE BLVD., SUITE 200
 MONROE, LA 70132
 (985) 649-5312

EMMETT B. DAMMON
 REGISTERED PROFESSIONAL ARCHITECT
 STATE OF MISSISSIPPI
 LICENSE NO. 9662

DESIGNED BY: R. WILTSE
 DRAWN BY: J. THREANOR
 REVIEWED BY: R. WILTSE
 PUNZIK, T. ARBIB
 CHIEF ENGINEER: P. DAMMON

DEPARTMENT OF THE NAVY
NAVAL FACILITIES ENGINEERING COMMAND SOUTHEAST
 IPT GULF COAST
 NAVAL AIR STATION JACKSONVILLE
 MISSISSIPPI

JOHN C. STENNIS SPACE CENTER
SOF OPERATIVE AND COMBATANT CRAFT OPERATIONS FACILITY - PRE-FINAL
 BLDG. 2440/2441 BUILDING DETAILS

CODE ID: NO. N4412 | SIZE: D
 SCALE: AS SHOWN
 DRAWING NO.: #####
 STA. PROJ. NO.: P-210
 WORK ORDER NO.: 510247
 CONSTR. CONTR. NO.: N62467-05-0-0096
 NAFAC DRAWING NO.: 15006700
 SHEET: 53 OF 132

A1.23