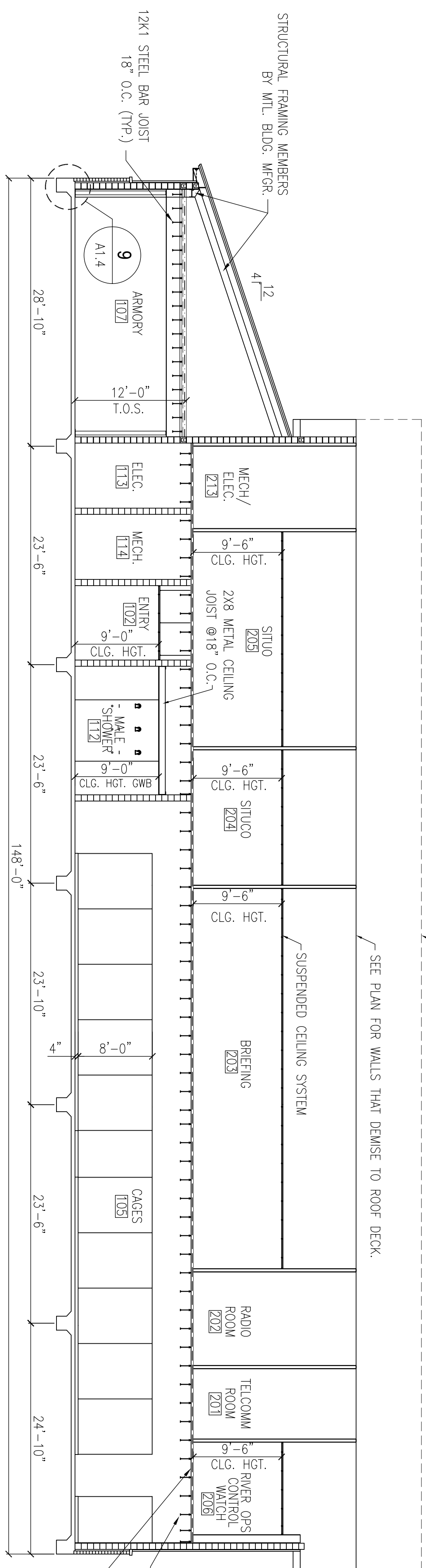
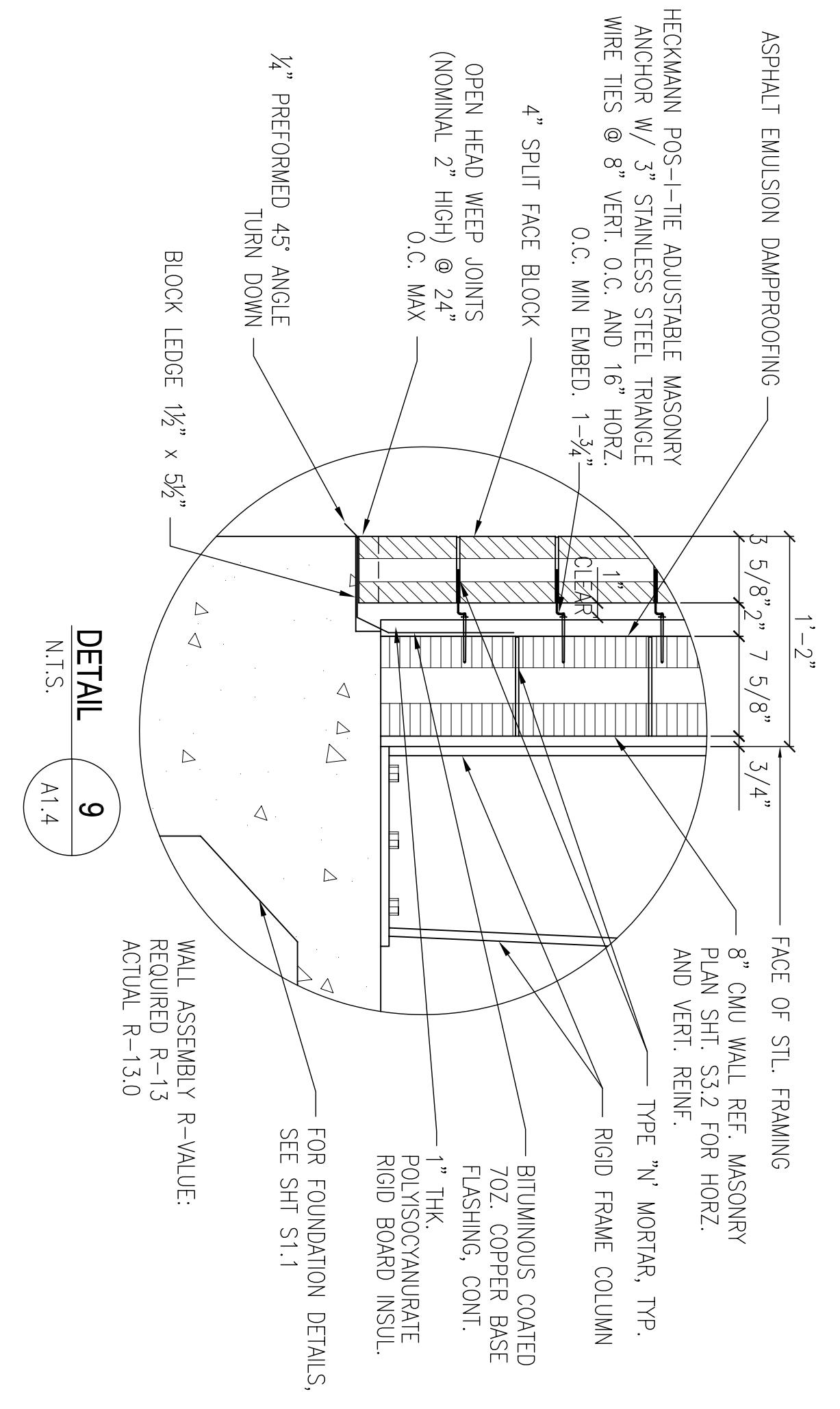
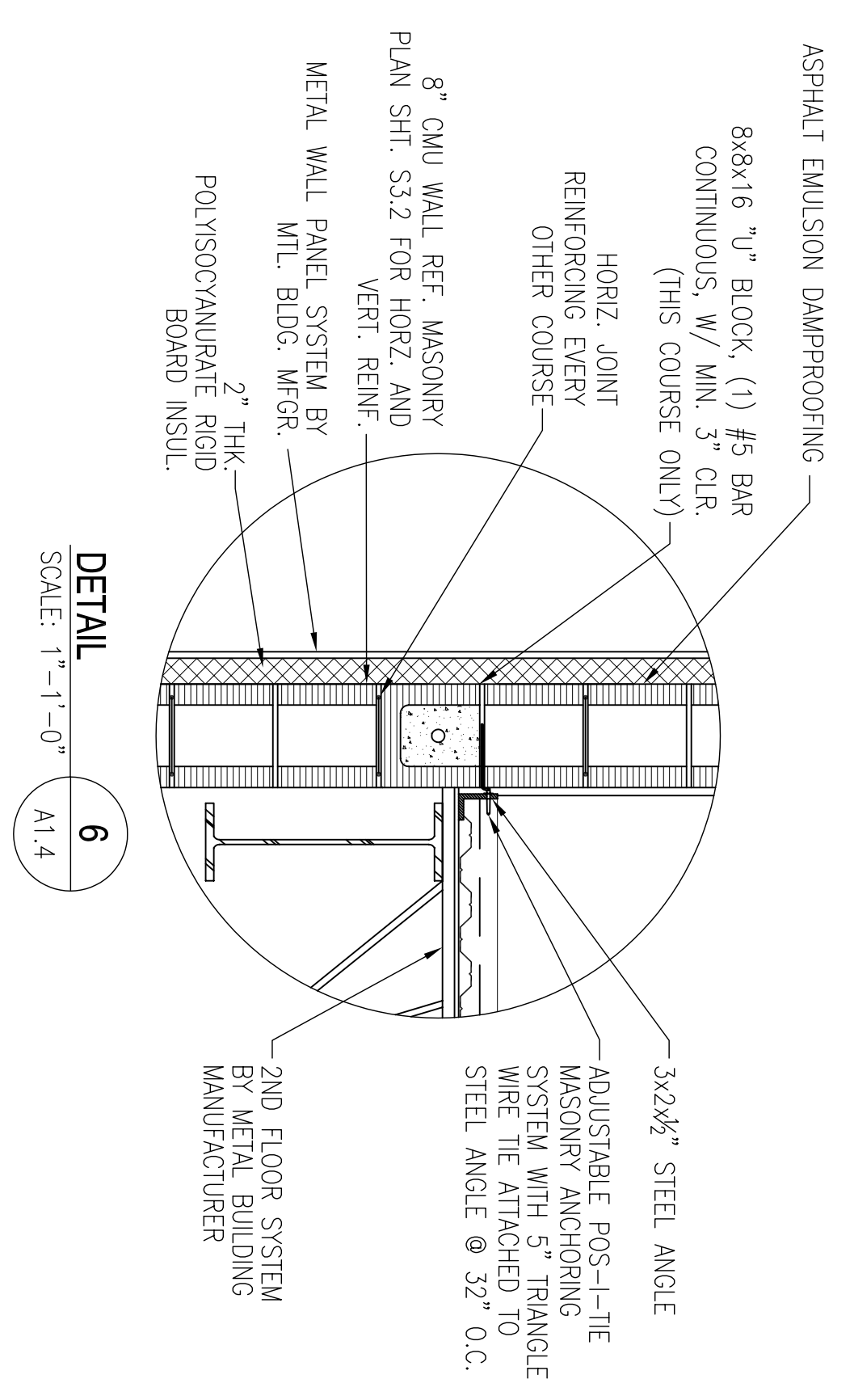
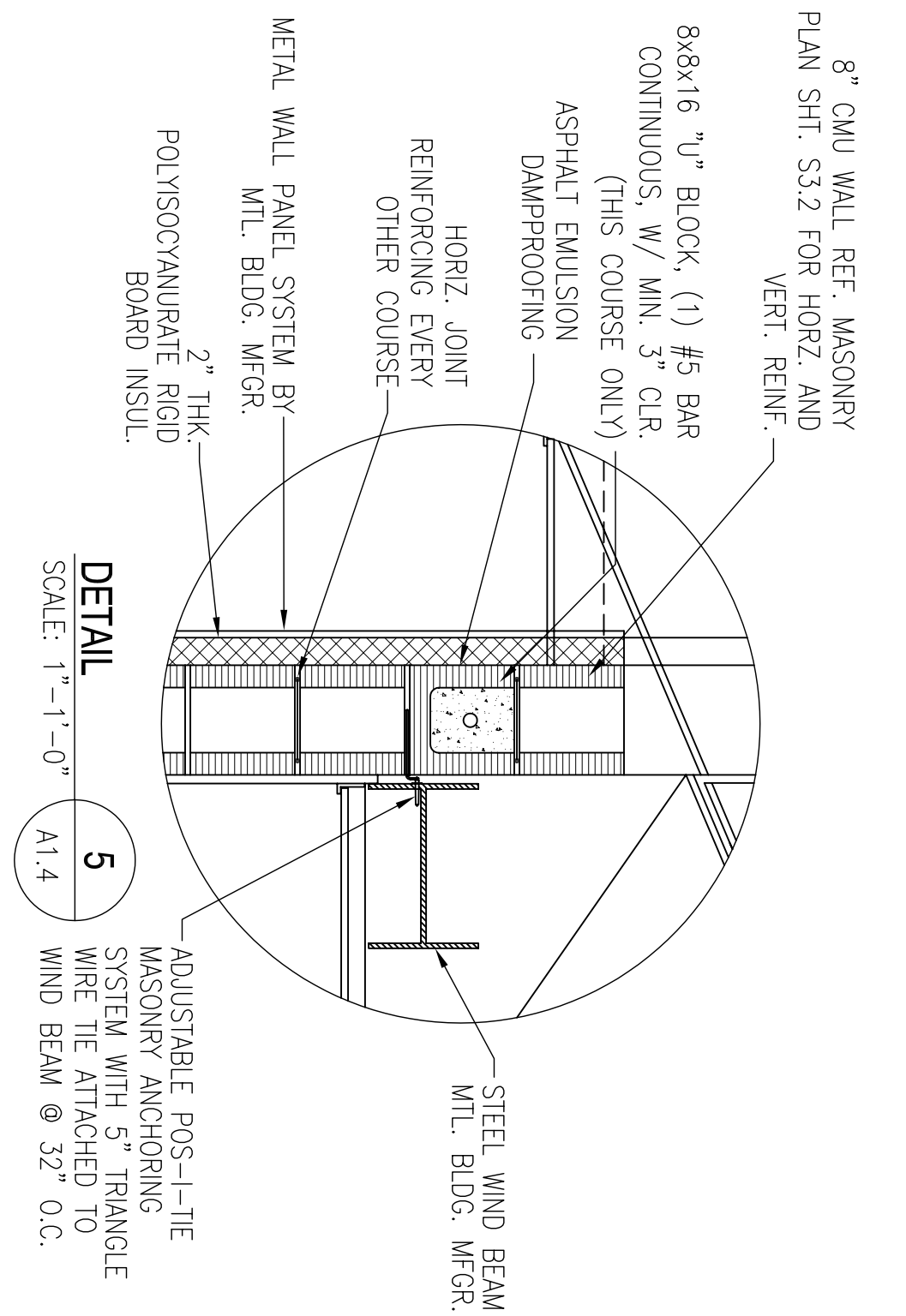


A

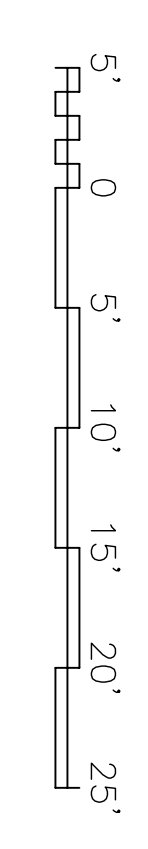
B

C

D



OPERATIONS BLDG.  
2440 SECTION  
SCALE: 1/8" = 1'-0"  
A1.1  
A1.2



| <p>DEPARTMENT OF THE NAVY<br/>NAVAL FACILITIES ENGINEERING COMMAND SOUTHEAST<br/>NAVAL AIR STATION JACKSONVILLE<br/>MISSISSIPPI<br/>JOHN C. STENNIS SPACE CENTER<br/>SOF RIVERINE AND COMBATANT<br/>CRAFT OPERATIONS FACILITY - PRE-FINAL<br/>OPERATIONS BLDG. 2440 SECTION</p> | <p>DESIGNED BY: R. WITBE<br/>DRAWN: J. MIFEMAN<br/>CHECKED: T. JARVIS<br/>IN CHARGE: P. DAMMON</p> | <p>EMMETT B. DAMMON<br/>REGISTERED PROFESSIONAL ENGINEER<br/>STATE OF MISSISSIPPI<br/>LICENSE NO. 9662</p> | <p>DAMMON<br/>ENGINEERING, INC.<br/>1000 W. UNIVERSITY BLVD.<br/>SUITE 100<br/>SIBOLLA, LA 70458<br/>(985) 649-5832</p> |  | <table border="1"> <thead> <tr> <th>SYM</th> <th>DESCRIPTION</th> <th>DATE</th> <th>APPR</th> </tr> </thead> <tbody> <tr> <td> </td> <td> </td> <td> </td> <td> </td> </tr> <tr> <td> </td> <td> </td> <td> </td> <td> </td> </tr> <tr> <td> </td> <td> </td> <td> </td> <td> </td> </tr> </tbody> </table> | SYM | DESCRIPTION | DATE | APPR |  |  |  |  |  |  |  |  |  |  |  |  |
|---|--|--|---|--|---|-----|-------------|------|------|--|--|--|--|--|--|--|--|--|--|--|--|
| SYM   | DESCRIPTION  | DATE   | APPR  |  |   |     |             |      |      |  |  |  |  |  |  |  |  |  |  |  |  |
|   |  |  |   |  |   |     |             |      |      |  |  |  |  |  |  |  |  |  |  |  |  |
|   |  |  |   |  |   |     |             |      |      |  |  |  |  |  |  |  |  |  |  |  |  |
|   |  |  |   |  |   |     |             |      |      |  |  |  |  |  |  |  |  |  |  |  |  |

A

B

C

D

1

2

3

4

5

A14