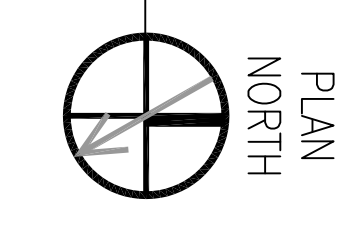
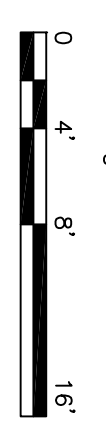
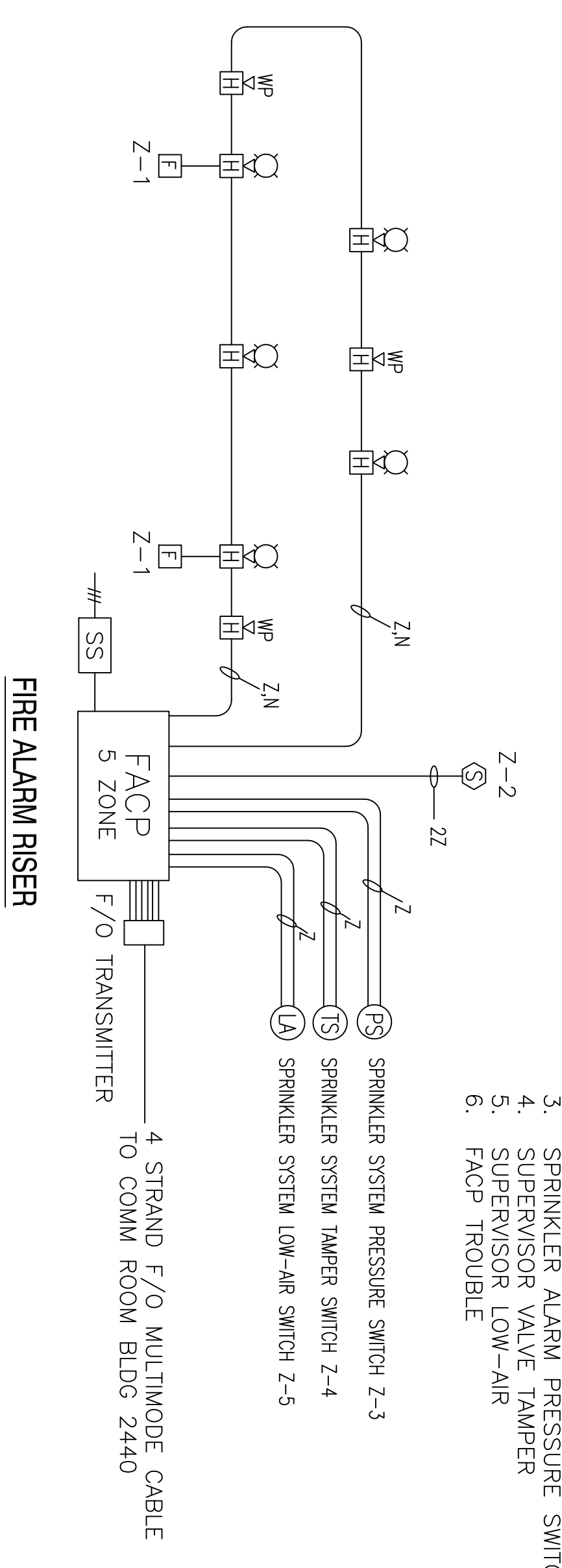


BOAT STORAGE BLDG. 2442
FLOOR PLAN - FIRE ALARM
 SCALE: 1/8" = 1'-0"
 PLAN NORTH



- SIGNALS TRANSMITTED TO BLDG 2440
1. MANUAL PULL STATION
 2. SMOKE DETECTOR
 3. SPRINKLER ALARM PRESSURE SWITCH
 4. SUPERVISOR VALVE TAMPER
 5. SUPERVISOR LOW-AIR
 6. FACP TROUBLE



WIRING LEGEND		
SYMBOL	DESCRIPTION	WIRE SIZE
Z	ZONE CIRCUIT	2 #14 THHN SOLID YELLOW & BLUE FOR ALARM CIRCUITS 2 #14 THHN SOLID ORANGE & BROWN FOR SUPERVISORY CIRCUITS
N	NOTIFICATION APPLIANCE CIRCUIT	2 #14 THHN SOLID RED+ BLACK- -LABEL CONDUCTORS WITH ZONE # AT ALL TERMINATIONS-

THESE PLANS AND SPECIFICATIONS HAVE BEEN PREPARED BY OR UNDER OUR DIRECT SUPERVISION, AND WE ARE AWARE OF ALL REGULATORY REQUIREMENTS. WE ARE NOT GENERALLY ADMINISTERING THE WORK.

SCHLARLY ENGINEERING, LLC
 9-4-09
 PER: [Signature]
 REG. # 27899

<p>SCHLARLY ENGINEERING, LLC 121 SOUTH GENOIS STREET NEW ORLEANS, LA 70119 PHN: 504-482-7947 PHN: 504-482-7930 M. KIMBALL SCHLARLY, P.E. LA REG 27899</p>		DEPARTMENT OF THE NAVY NAVAL FACILITIES ENGINEERING COMMAND NAVAL FACILITIES ENGINEERING COMMAND SOUTHEAST IPT SOUTH ATLANTIC NAVAL AIR STATION JACKSONVILLE MISSISSIPPI	JOHN C. STENNIS SPACE CENTER MISSISSIPPI
		SOF RIVERINE AND COMBATANT CRAFT OPERATIONS FACILITY BLDG. 2442 FLOOR PLAN - FIRE ALARM	
THESE PLANS AND SPECIFICATIONS HAVE BEEN PREPARED BY OR UNDER OUR DIRECT SUPERVISION, AND WE ARE AWARE OF ALL REGULATORY REQUIREMENTS. WE ARE NOT GENERALLY ADMINISTERING THE WORK. SCHLARLY ENGINEERING, LLC 9-4-09 PER: [Signature] REG. # 27899		DEPARTMENT OF THE NAVY NAVAL FACILITIES ENGINEERING COMMAND NAVAL FACILITIES ENGINEERING COMMAND SOUTHEAST IPT SOUTH ATLANTIC NAVAL AIR STATION JACKSONVILLE MISSISSIPPI JOHN C. STENNIS SPACE CENTER MISSISSIPPI SOF RIVERINE AND COMBATANT CRAFT OPERATIONS FACILITY BLDG. 2442 FLOOR PLAN - FIRE ALARM SCALE: 1/8" = 1'-0" SHEET 132 OF 132	