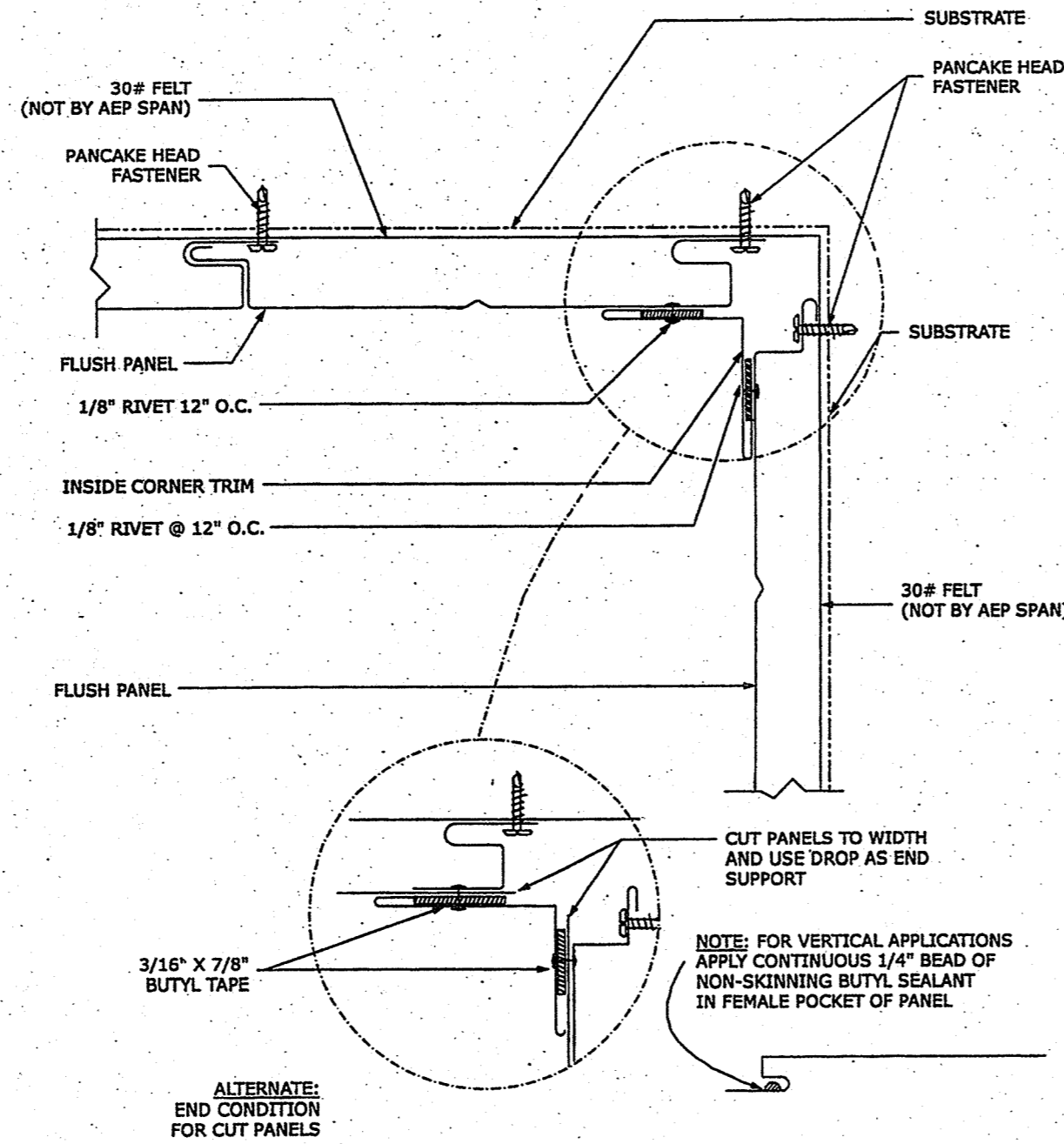


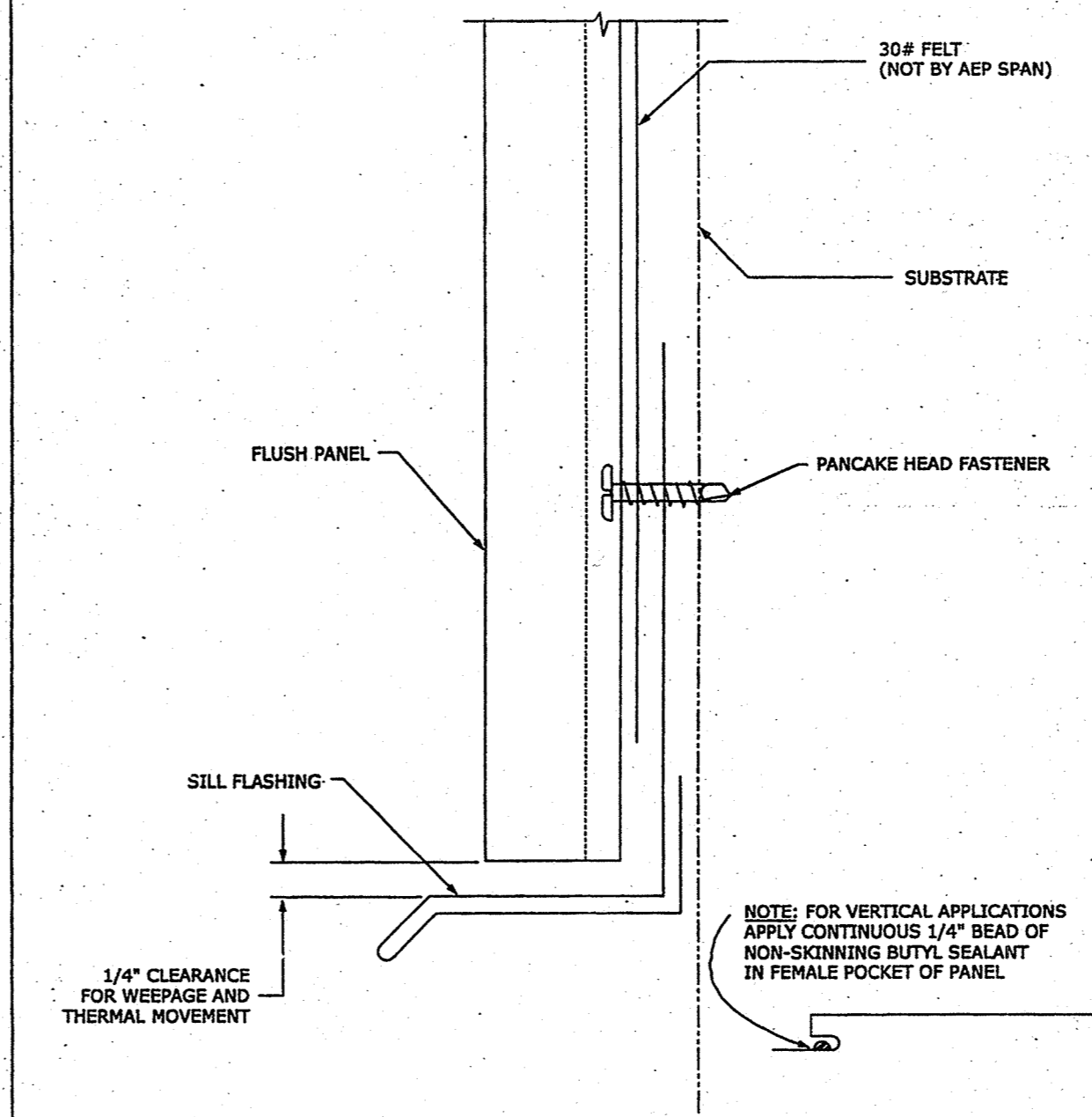
AVAILABLE MATERIAL & THICKNESS
 STEEL = 24 GA. OR 22 GA.
 ALUMINUM = .032
 PERFORATED ALUMINUM = .032

Verify panel design is consistent as per w/p of 2-16-0a

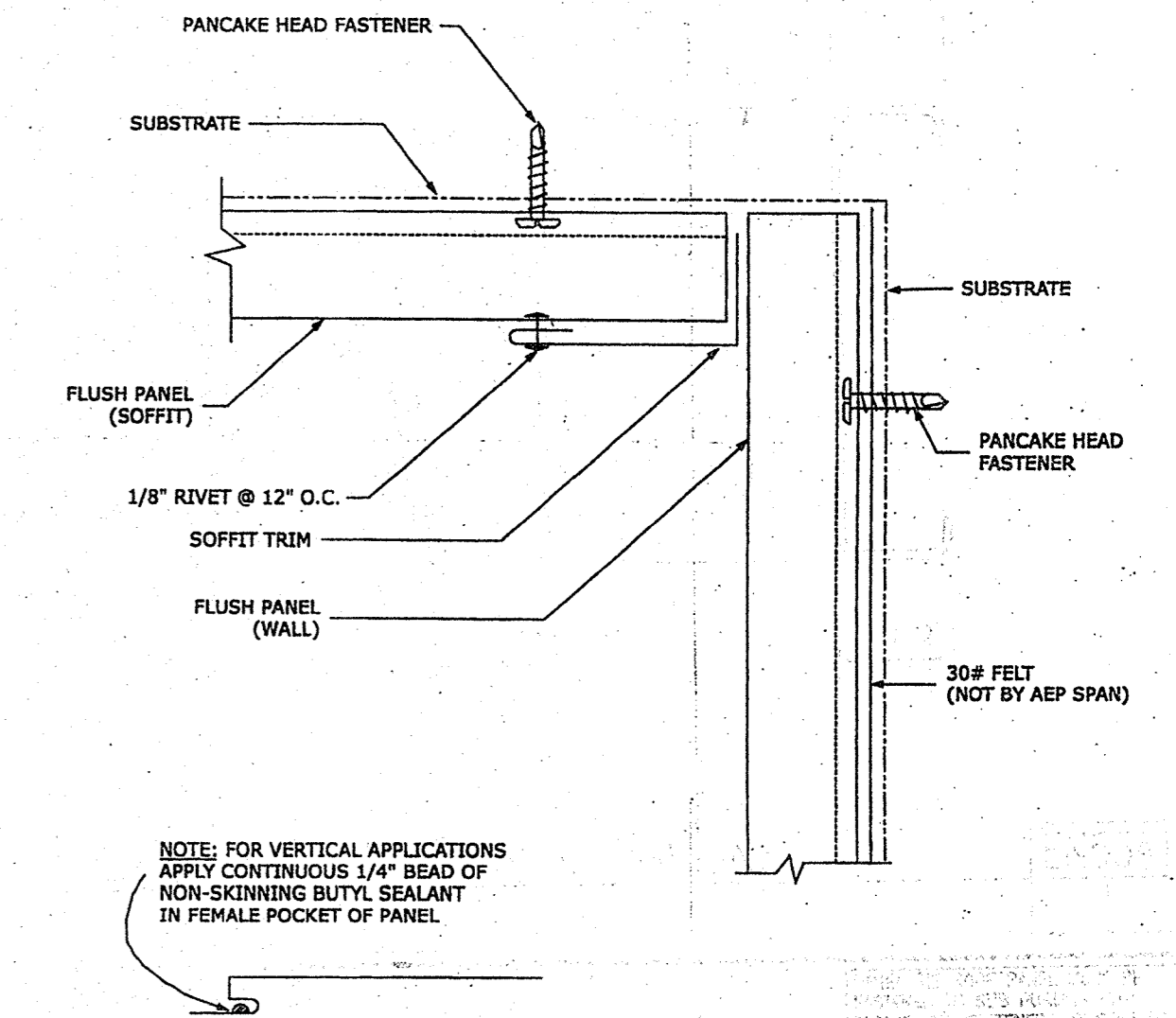
AEP SPAN **FLUSH-PANEL** PANEL PROFILE
 Engineered Solutions in Metal FP-0



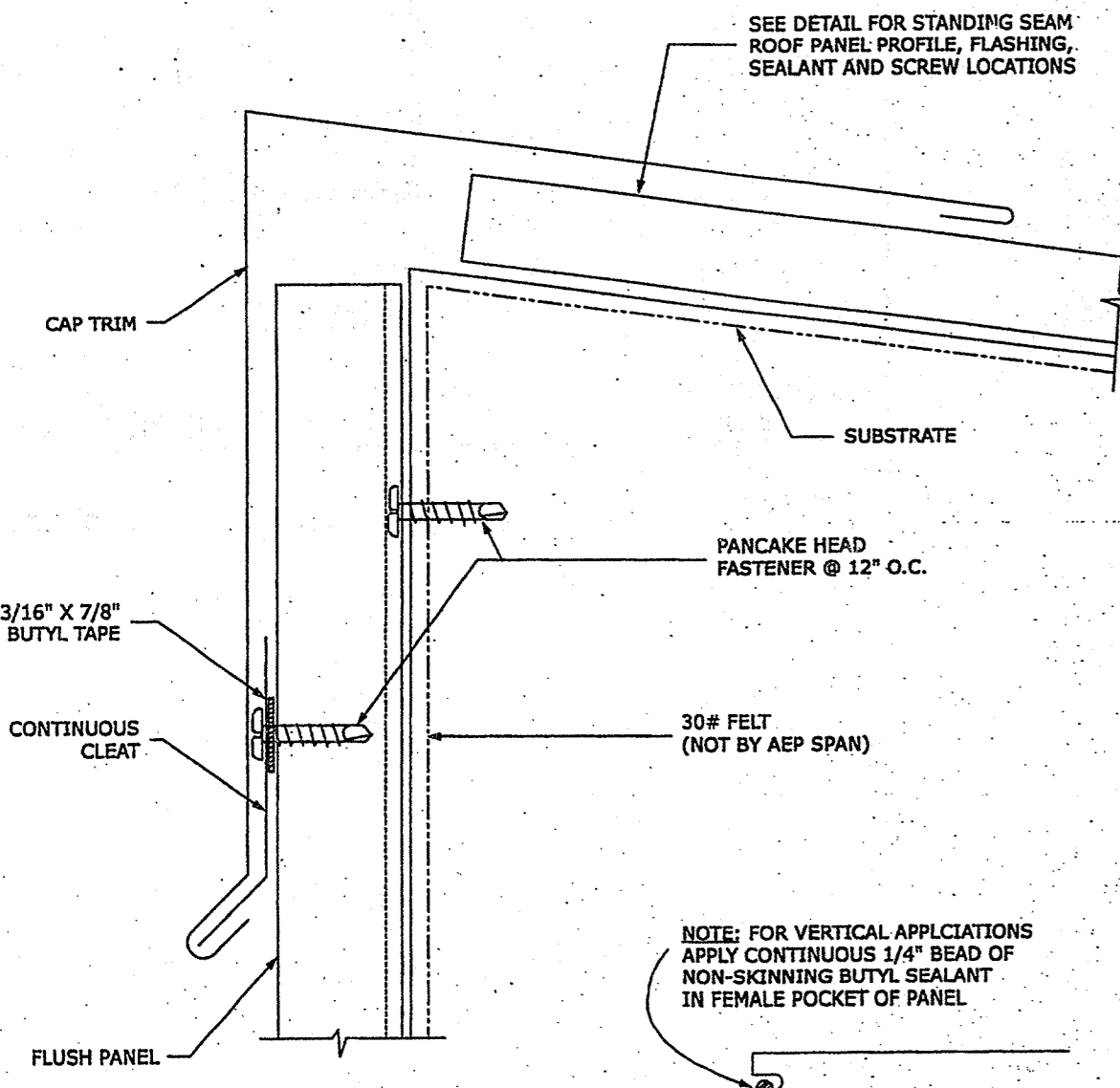
AEP SPAN **FLUSH-PANEL** INSIDE CORNER
 Engineered Solutions in Metal FP-2



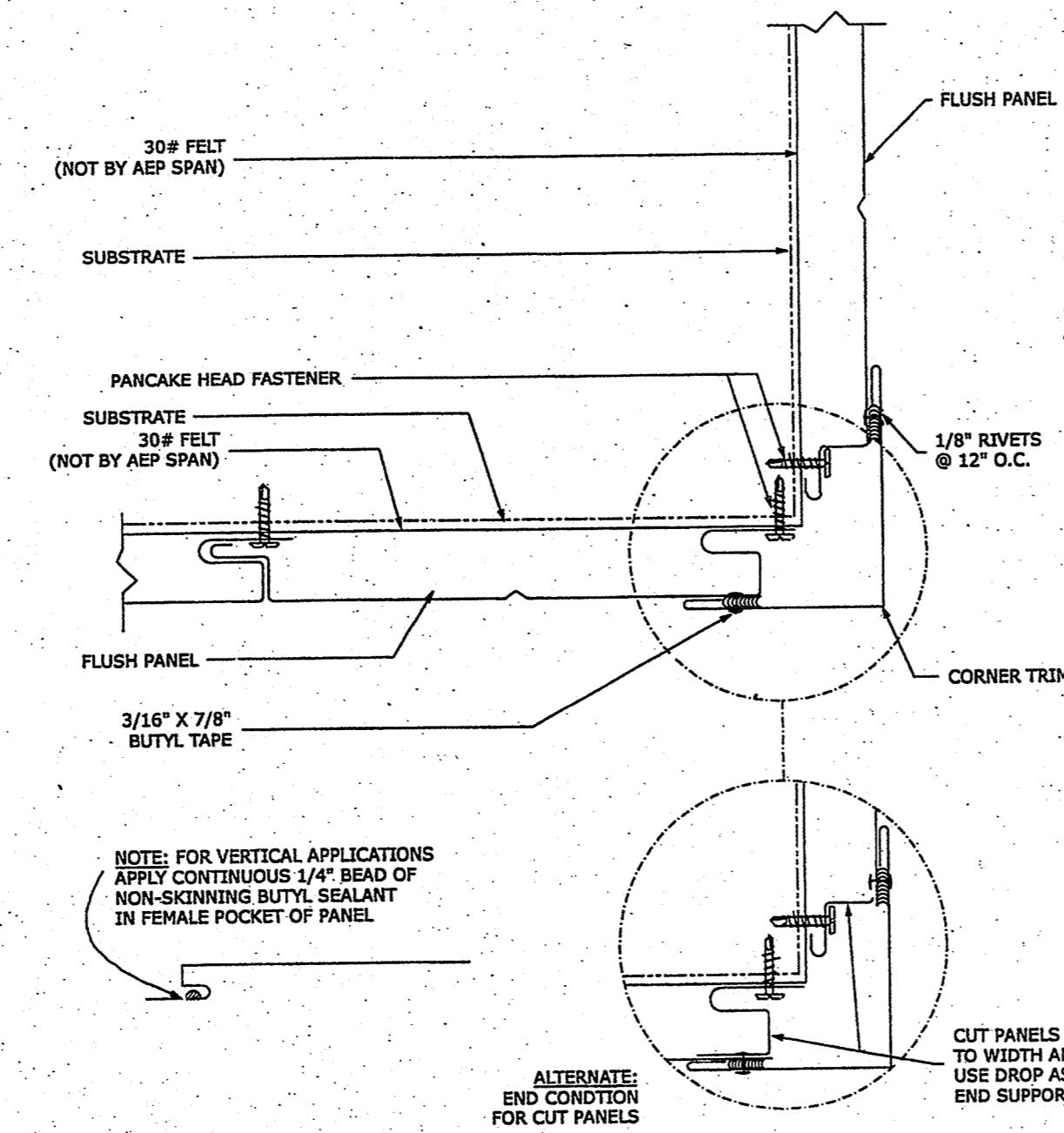
AEP SPAN **FLUSH-PANEL** PANEL SILL
 Engineered Solutions in Metal FP-4



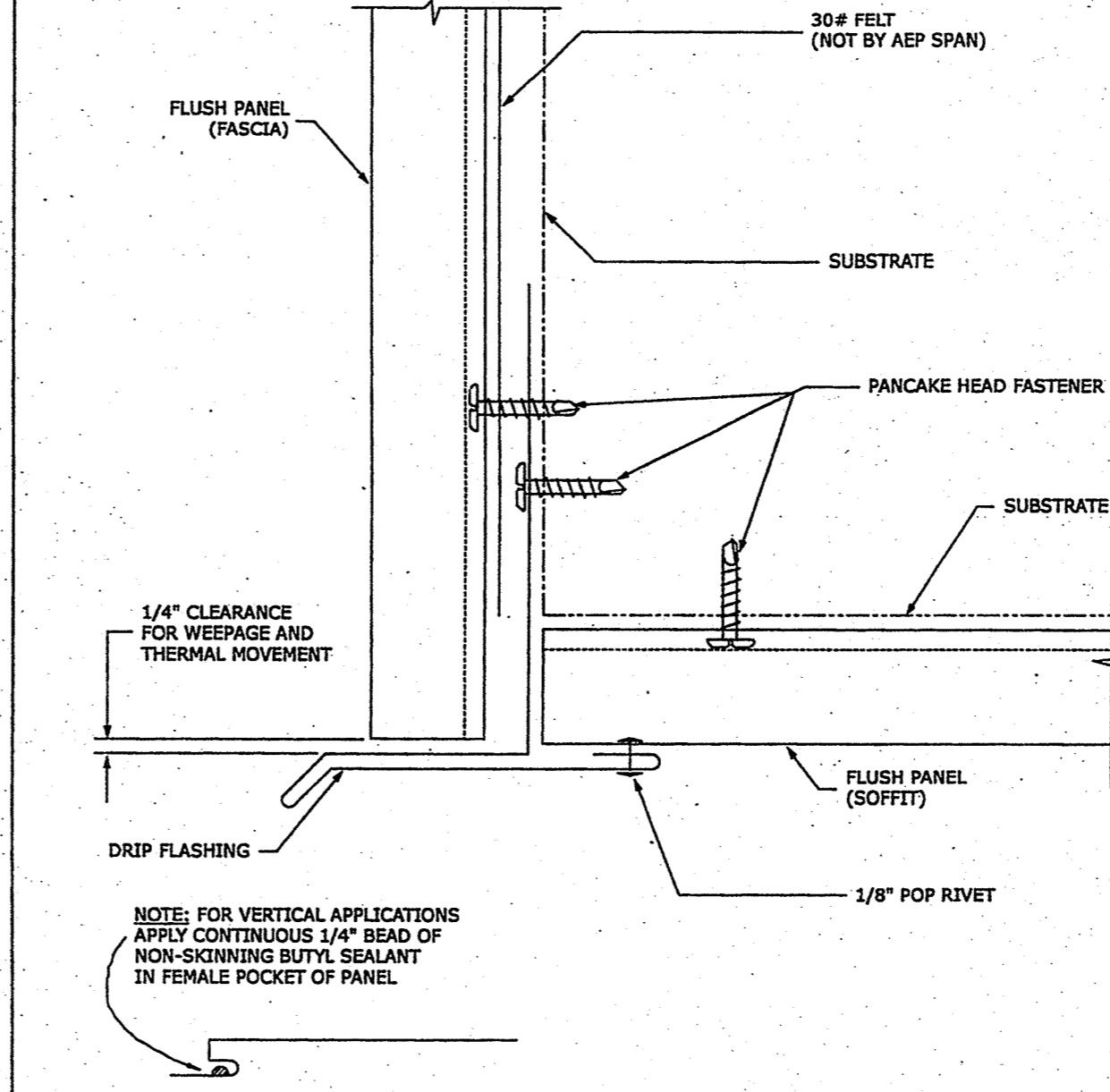
AEP SPAN **FLUSH-PANEL** SOFFIT - WALL TRANSITION
 Engineered Solutions in Metal FP-6



AEP SPAN **FLUSH-PANEL** HIGH EAVE
 Engineered Solutions in Metal FP-1



AEP SPAN **FLUSH-PANEL** OUTSIDE CORNER
 Engineered Solutions in Metal FP-3



AEP SPAN **FLUSH-PANEL** FASCIA - SOFFIT TRANSITION
 Engineered Solutions in Metal FP-5

THE VP ENGINEER'S SEAL APPLIES ONLY TO THE WORK PRODUCT OF VP AND DESIGN AND PERFORMANCE REQUIREMENTS SPECIFIED BY VP. THE VP ENGINEER'S SEAL DOES NOT APPLY TO THE PERFORMANCE OR DESIGN OF ANY OTHER PRODUCT OR COMPONENT FURNISHED BY VP EXCEPT TO ANY DESIGN OR PERFORMANCE REQUIREMENTS SPECIFIED BY VP.

THIS DRAWING, INCLUDING THE INFORMATION HEREON, REMAINS THE PROPERTY OF VP BUILDINGS. IT IS PROVIDED SOLELY FOR ERECTING THE BUILDING DESCRIBED IN THE APPLICABLE PURCHASE ORDER AND SHALL NOT BE MODIFIED, REPRODUCED OR USED FOR ANY OTHER PURPOSE WITHOUT PRIOR WRITTEN APPROVAL OF VP BUILDINGS.

THE GENERAL CONTRACTOR AND/OR ERECTOR IS SOLELY RESPONSIBLE FOR ACCURATE, GOOD QUALITY WORKMANSHIP IN ERECTING THIS BUILDING IN CONFORMANCE WITH THIS DRAWING, DETAILS REFERENCED IN THIS DRAWING, ALL APPLICABLE VP ERECTION GUIDES, AND INDUSTRY STANDARDS PERTAINING TO PROPER ERECTION, INCLUDING THE CORRECT USE OF TEMPORARY BRACING.

VP Buildings			
3200 Players Club Circle, Memphis TN 38125			
REV	DATE	BY	DESCRIPTION
NTS			

FP12 DETAILS	
BUILDER	Broadmoor, LLC
CUSTOMER	John F. Stennis Space Center
LOCATION	Stennis Space Center, Mississippi
PROJECT	Riverline and Combatant Craft Operations Facility
BUILDERS PO#	

VP BUILDINGS
 WARD PRUDEN
 BlueScope Steel Company
 VPC VERSION: 7.1c

JOBNO	08-28914
DATE	2/6/2009
DRAWN/CHECK	RAT
PAGE	29