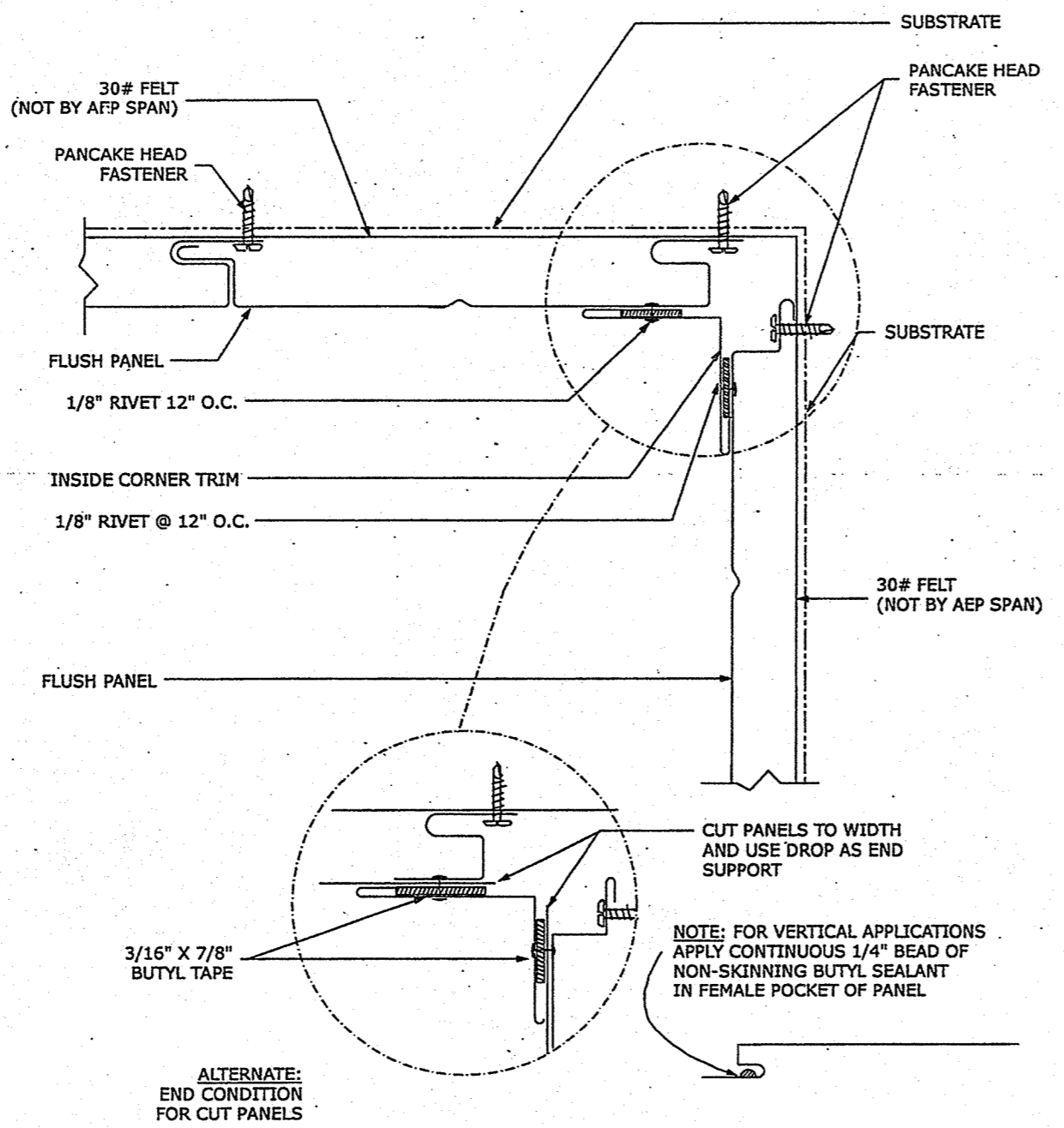
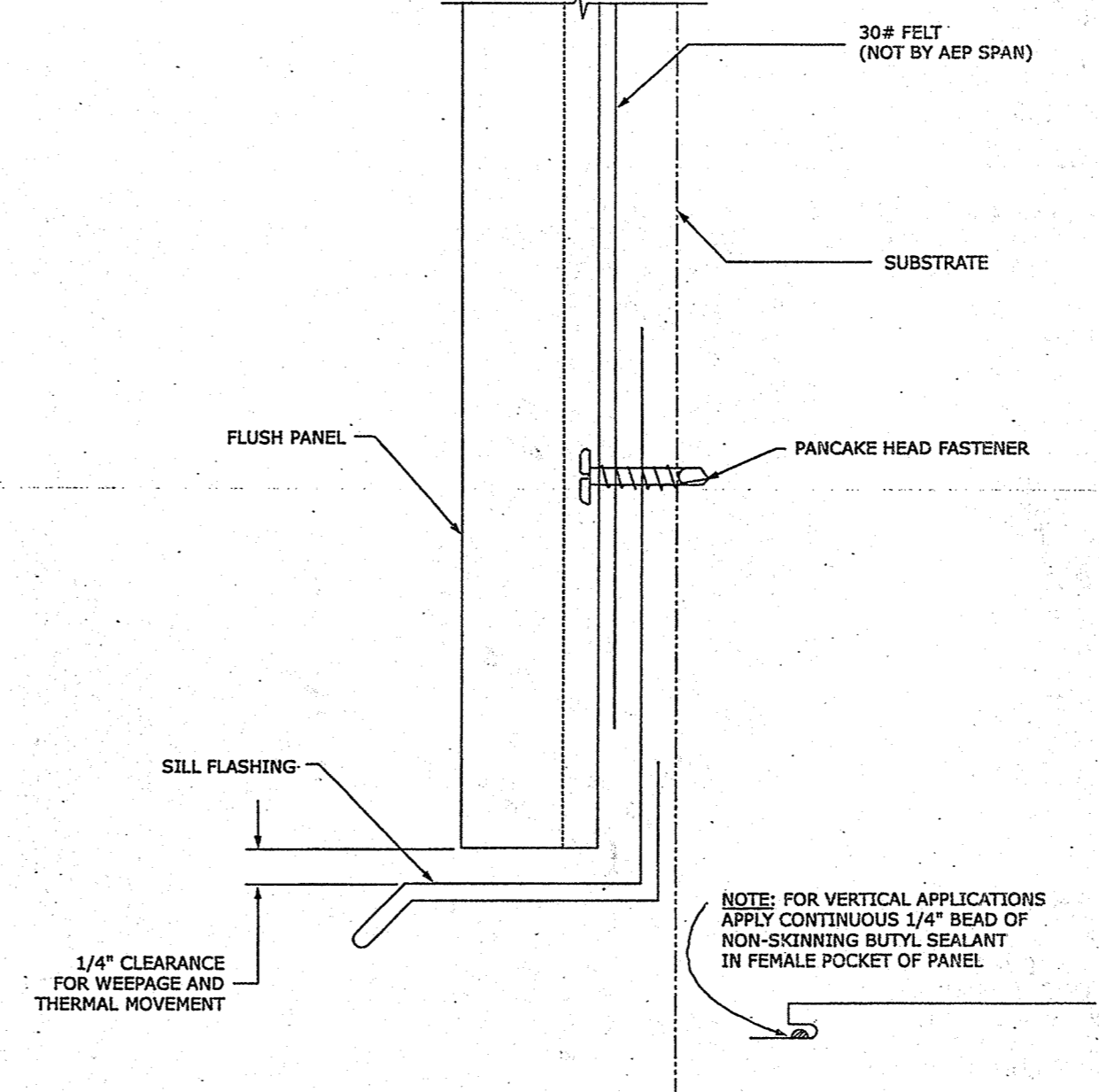


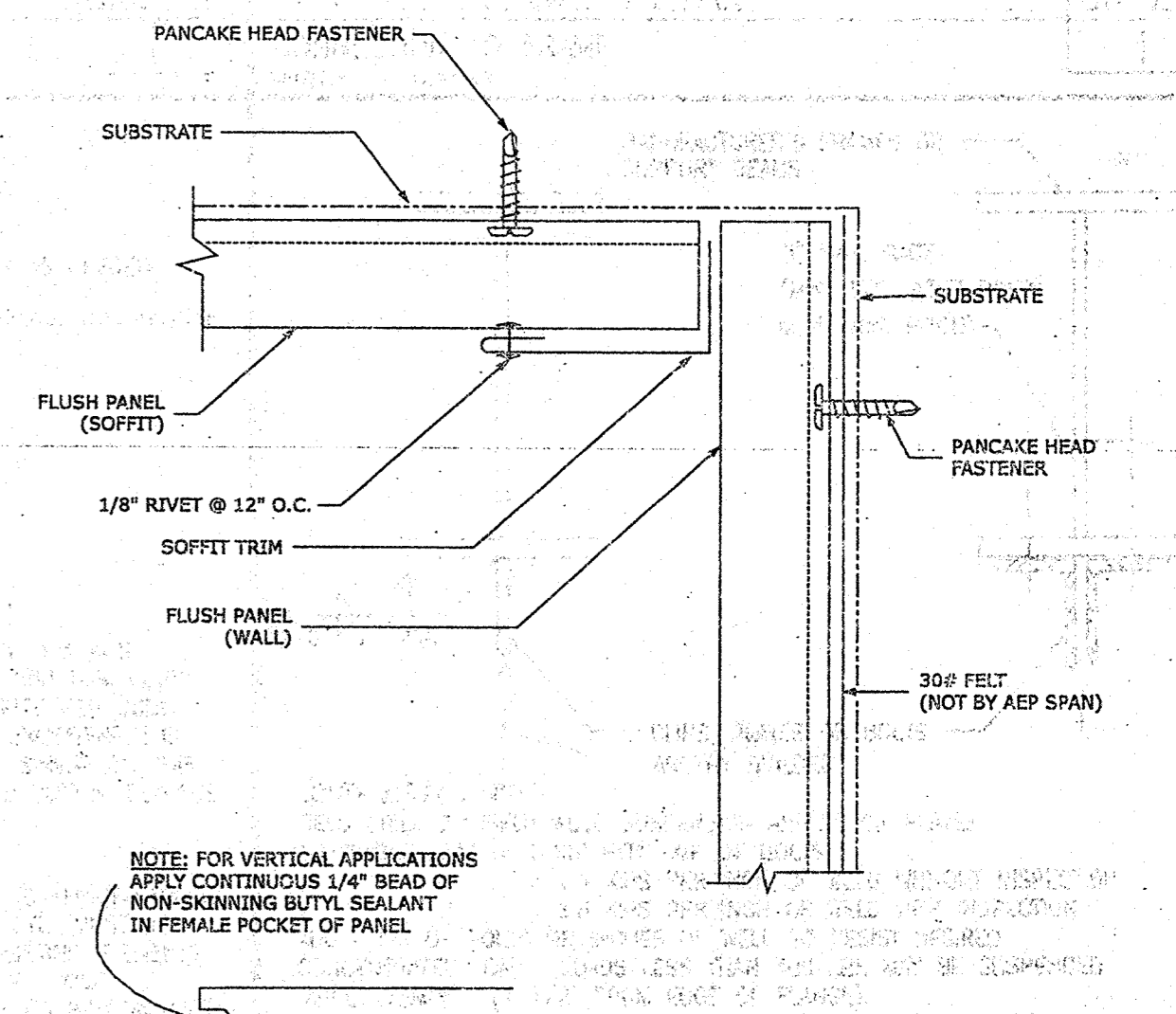
AVAILABLE MATERIAL & THICKNESS
 STEEL = 24 GA. OR 22 GA.
 ALUMINUM = .032
 PERFORATED ALUMINUM = .032



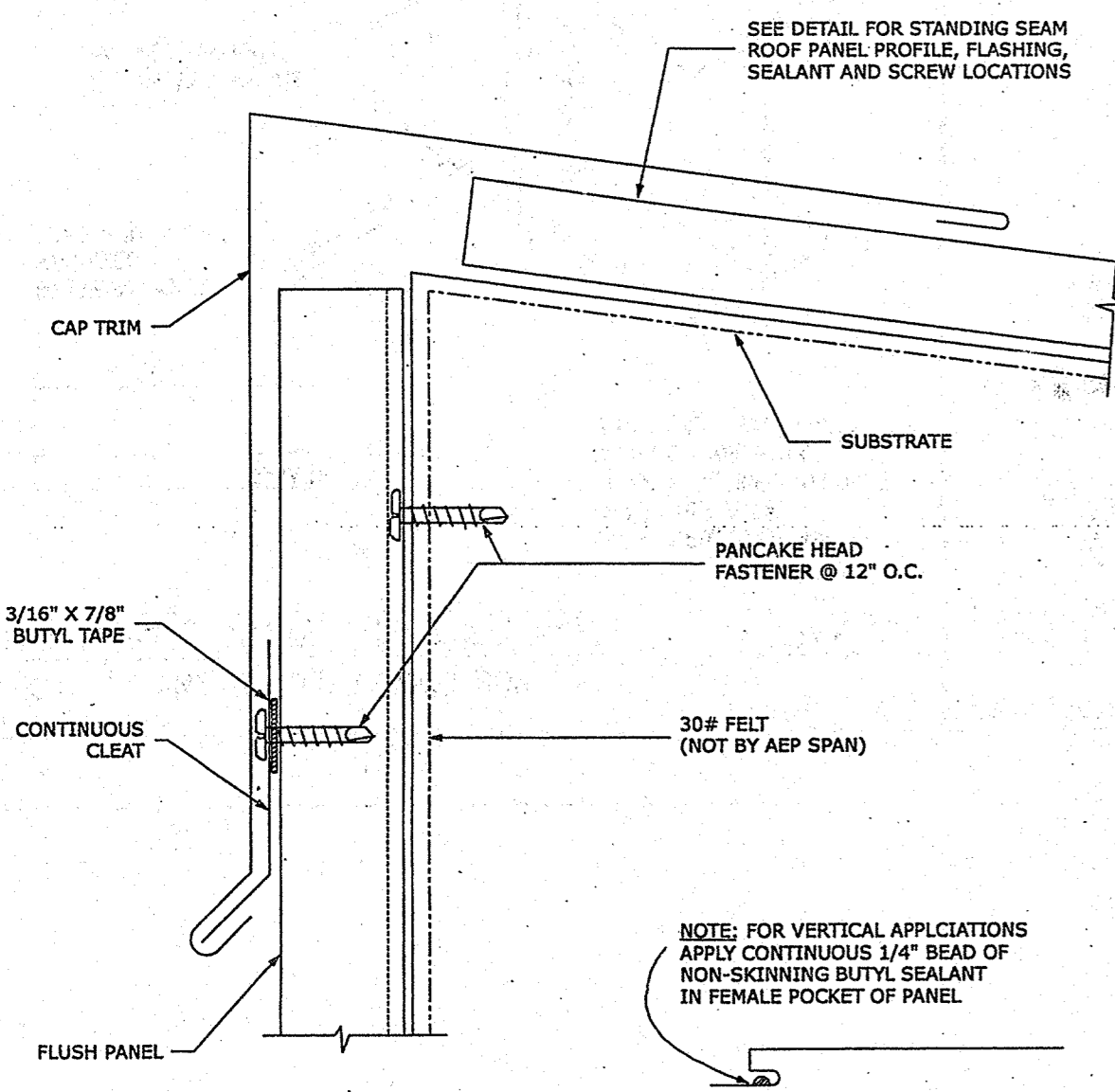
AEP SPAN FLUSH-PANEL INSIDE CORNER
 Engineered Solutions in Metal FP-2



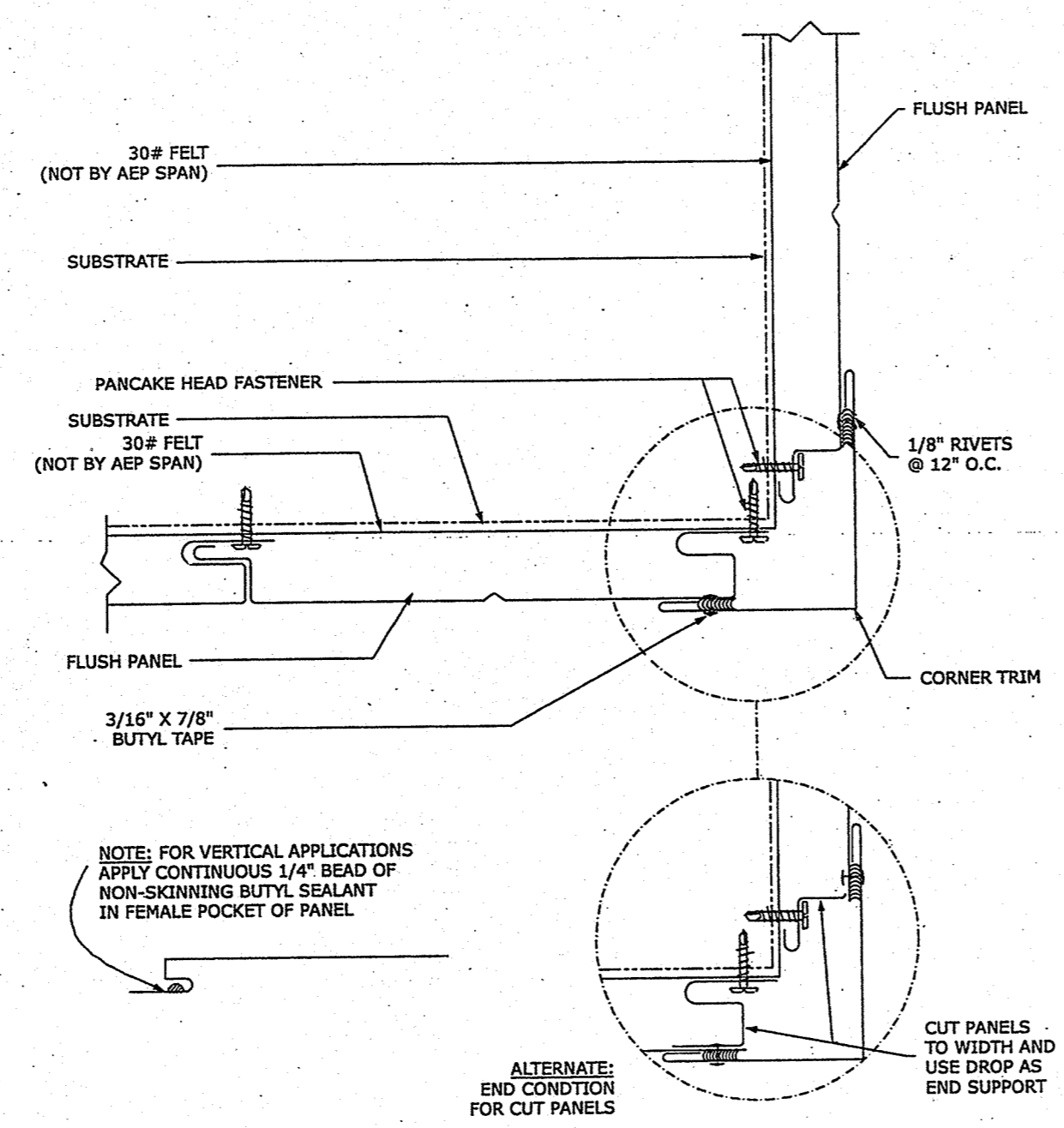
AEP SPAN FLUSH-PANEL PANEL SILL
 Engineered Solutions in Metal FP-4



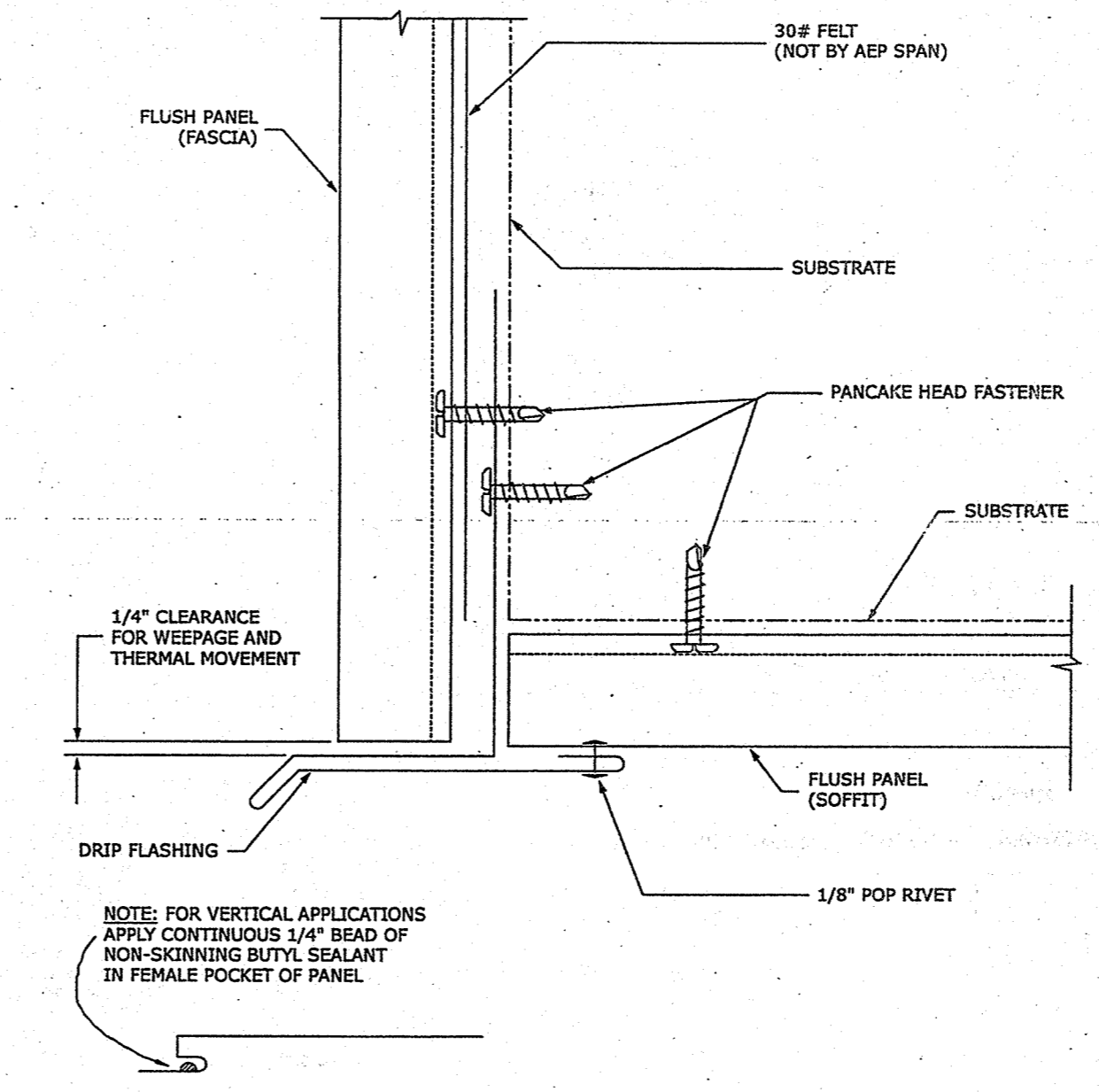
AEP SPAN FLUSH-PANEL SOFFIT - WALL TRANSITION
 Engineered Solutions in Metal FP-6



AEP SPAN FLUSH-PANEL HIGH EAVE
 Engineered Solutions in Metal FP-1



AEP SPAN FLUSH-PANEL OUTSIDE CORNER
 Engineered Solutions in Metal FP-3



AEP SPAN FLUSH-PANEL FASCIA - SOFFIT TRANSITION
 Engineered Solutions in Metal FP-5

THE VP ENGINEER'S SEAL APPLIES ONLY TO THE WORK PRODUCT OF VP AND DESIGN AND PERFORMANCE REQUIREMENTS SPECIFIED BY VP. THE VP ENGINEER'S SEAL DOES NOT APPLY TO THE PERFORMANCE OR DESIGN OF ANY OTHER PRODUCT OR COMPONENT FURNISHED BY VP EXCEPT TO ANY DESIGN OR PERFORMANCE REQUIREMENTS SPECIFIED BY VP.

THIS DRAWING, INCLUDING THE INFORMATION HEREON, REMAINS THE PROPERTY OF VP BUILDINGS. IT IS PROVIDED SOLELY FOR ERECTING THE BUILDING DESCRIBED IN THE APPLICABLE PURCHASE ORDER AND SHALL NOT BE MODIFIED, REPRODUCED OR USED FOR ANY OTHER PURPOSE WITHOUT PRIOR WRITTEN APPROVAL OF VP BUILDINGS.

THE GENERAL CONTRACTOR AND/OR ERECTOR IS SOLELY RESPONSIBLE FOR ACCURATE, GOOD QUALITY WORKMANSHIP IN ERECTING THIS BUILDING IN CONFORMANCE WITH THIS DRAWING, DETAILS REFERENCED IN THIS DRAWING, ALL APPLICABLE VP ERECTION GUIDES, AND INDUSTRY STANDARDS PERTAINING TO PROPER ERECTION, INCLUDING THE CORRECT USE OF TEMPORARY BRACING.

VP Buildings			
3200 Players Club Circle Memphis TN 38125			
REV	DATE	BY	DESCRIPTION
NTS			

FP12 DETAILS		VP BUILDINGS	
BUILDER	Broadmoor, LLC	JG/NO	08-28314 EPI
CUSTOMER	John F. Stennis Space Center	DATE	2/12/2009
LOCATION	Stennis Space Center, Mississippi	DRAWN/CHECK	MJM
PROJECT	Riverline and Combatant Craft Operations Facility	PAGE	42
BUILDERS PO#		VP VERSION:	7.1c