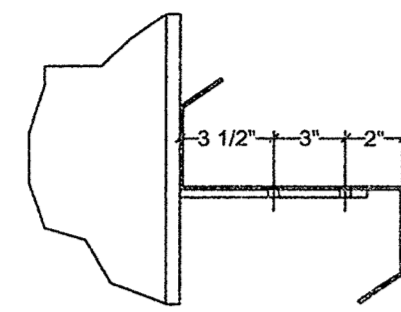


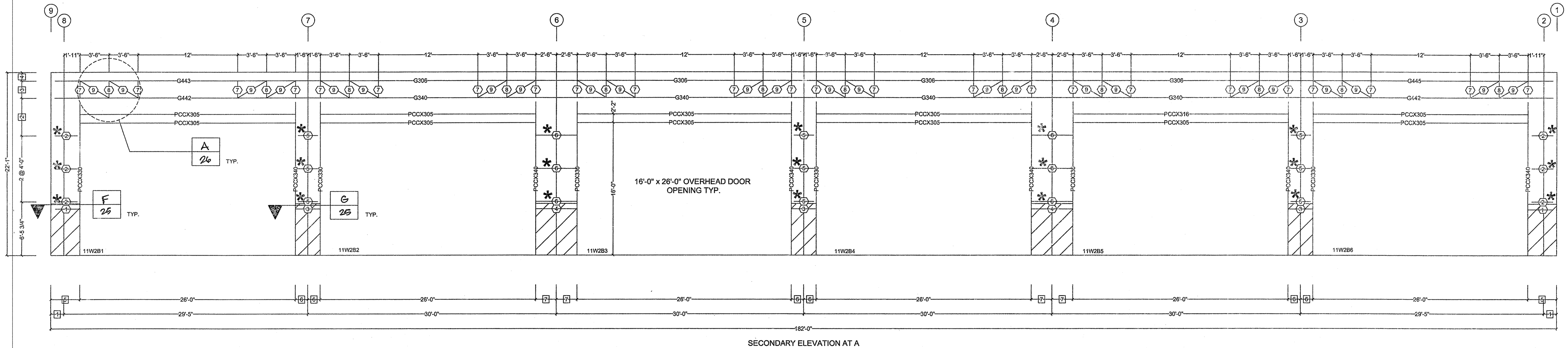
Part Mark Key
1 PCCX306
2 G441
3 PCCX318
4 PCCX319
5 G444
6 G339
7 LFL01072
8 GAGX301
9 03RA0405

Secondary Part Schedule			
Mark	Part	Thick.	Depth
G306	40G3202417	0.0590	8 1/2"
G339	005G0411417	0.0590	8 1/2"
G340	42G3402415	0.0730	8 1/2"
G441	002G0208417	0.0590	8 1/2"
G442	004G3201412	0.1050	8 1/2"
G443	003G3107417	0.0590	8 1/2"
G444	001G0204417	0.0590	8 1/2"
G445	007G3107417	0.0590	8 1/2"

Frame Member Schedule					
Part	Width	Thick.	Webthk	Depth1	Approx. Lgth
PCCX306	CH 9 x 13.40			9"	1'-2 3/4"
PCCX318	CH 9 x 13.40			9"	2'-4 1/2"
PCCX319	CH 9 x 13.40			9"	4'-4 1/2"
PCCX305	CH 8 x 11.50			8"	26'-0"
PCCX316	CH 8 x 11.50			8"	26'-0"
PCCX330	MC 8 x 21.40			8"	18'-8"
PCCX340	MC 8 x 21.40			8"	18'-8"



NOTE: HOLE LOCATIONS FOR GIRT CONNECTIONS ARE REVERSED FROM VP STANDARD AT 6'-5 3/4", 10'-5 3/4", AND 14'-5 3/4" ELEVATIONS ALONG GRID "A" ONLY.



Dimension Key
7 2'-6"
6 1'-6"
5 3'-6"
4 1'-0 11/16"
3 2'-0 9/16"
2 4'-6"
1 1'-7"

Shape Name = Boat Storage Building, Wall = 2

FOR CONSTRUCTION



1. UNLESS NOTED, USE 1/2 X 1 1/2 A-325 SNUG TIGHTENED BOLTS FOR GIRT LAP, GIRT TO FRAME, FLANGE BRACE TO FRAME, FLANGE BRACE TO GIRT, JAMB AND HEADER CONNECTIONS.  
 2. WIND AND FLANGE BRACING ARE AN INTEGRAL PART OF THE WALL STRUCTURAL SYSTEM AND SHOULD BE PROPERLY INSTALLED PRIOR TO ERECTION OF WALL AND ROOF SHEETS. REMOVAL OR ALTERATION OF WALL BRACING WITHOUT PRIOR AUTHORIZATION IS PROHIBITED.

THE VP ENGINEER'S SEAL APPLIES ONLY TO THE WORK PRODUCT OF VP AND DESIGN AND PERFORMANCE REQUIREMENTS SPECIFIED BY VP. THE VP ENGINEER'S SEAL DOES NOT APPLY TO THE PERFORMANCE OR DESIGN OF ANY OTHER PRODUCT OR COMPONENT FURNISHED BY VP EXCEPT TO ANY DESIGN OR PERFORMANCE REQUIREMENTS SPECIFIED BY VP.

THIS DRAWING, INCLUDING THE INFORMATION HEREON, REMAINS THE PROPERTY OF VP BUILDINGS. IT IS PROVIDED SOLELY FOR ERECTING THE BUILDING DESCRIBED IN THE APPLICABLE PURCHASE ORDER AND SHALL NOT BE MODIFIED, REPRODUCED OR USED FOR ANY OTHER PURPOSE WITHOUT PRIOR WRITTEN APPROVAL OF VP BUILDINGS.  
 THE GENERAL CONTRACTOR AND/OR ERECTOR IS SOLELY RESPONSIBLE FOR ACCURATE, GOOD QUALITY WORKMANSHIP IN ERECTING THIS BUILDING IN CONFORMANCE WITH THIS DRAWING. DETAILS REFERENCED IN THIS DRAWING, ALL APPLICABLE VP ERECTION GUIDES, AND INDUSTRY STANDARDS PERTAINING TO PROPER ERECTION, INCLUDING THE CORRECT USE OF TEMPORARY BRACING.

REV	DATE	BY	DESCRIPTION

VP BUILDINGS, Inc.		3200 Players Club Circle Memphis TN 38125		SECONDARY ELEVATION AT A	
BUILDER	Broadmoor, LLC	CUSTOMER	John F. Stennis Space Center	JOBNO	08-28914EP3
LOCATION	Stennis Space Center, Mississippi	DATE	4/30/09	DRAWN/CHECK	BR
PROJECT	Riverine and Combatant Craft Operations	PAGE	19		
BUILDERS PO#		VP VERSION:	7.1f		