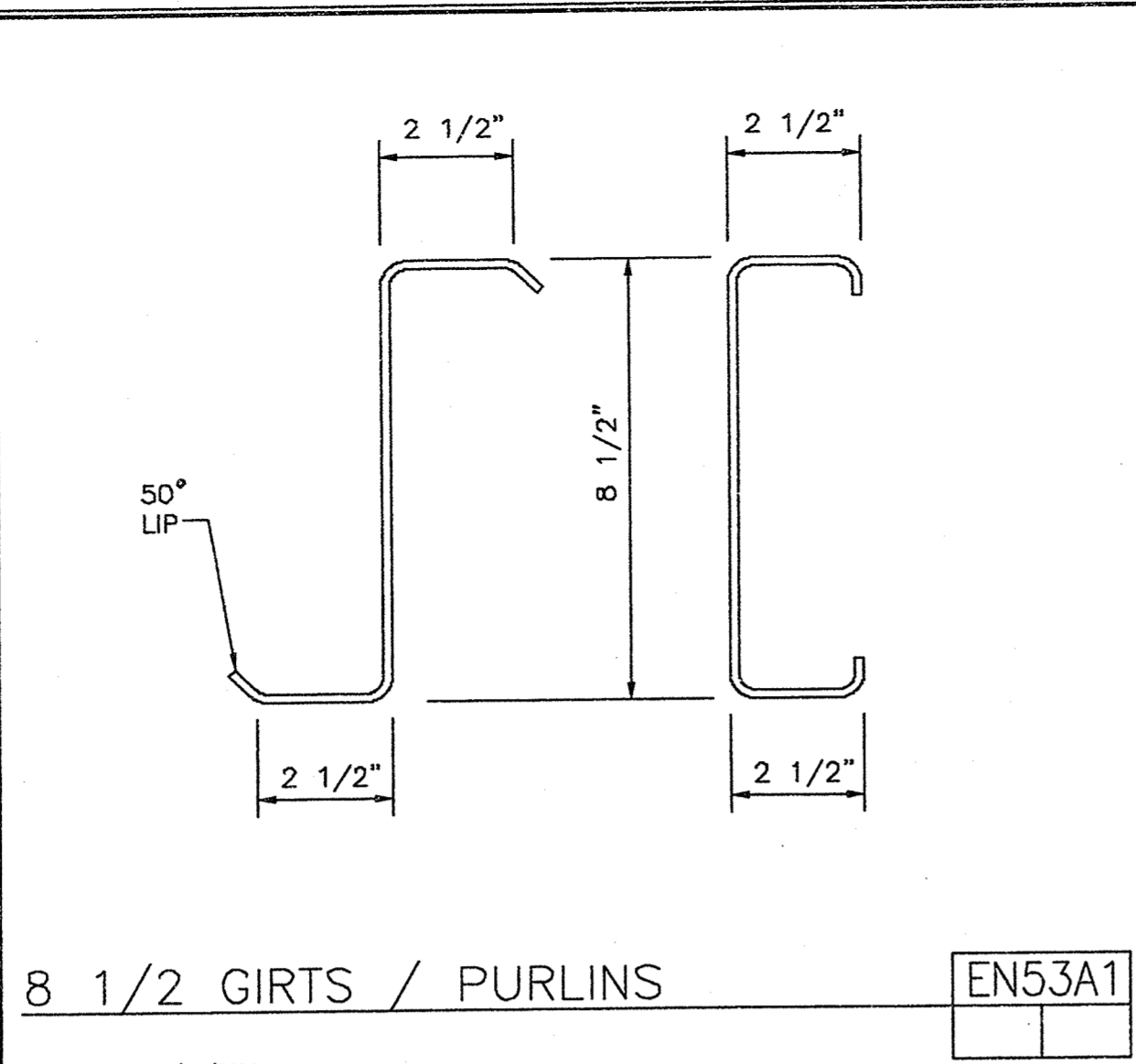
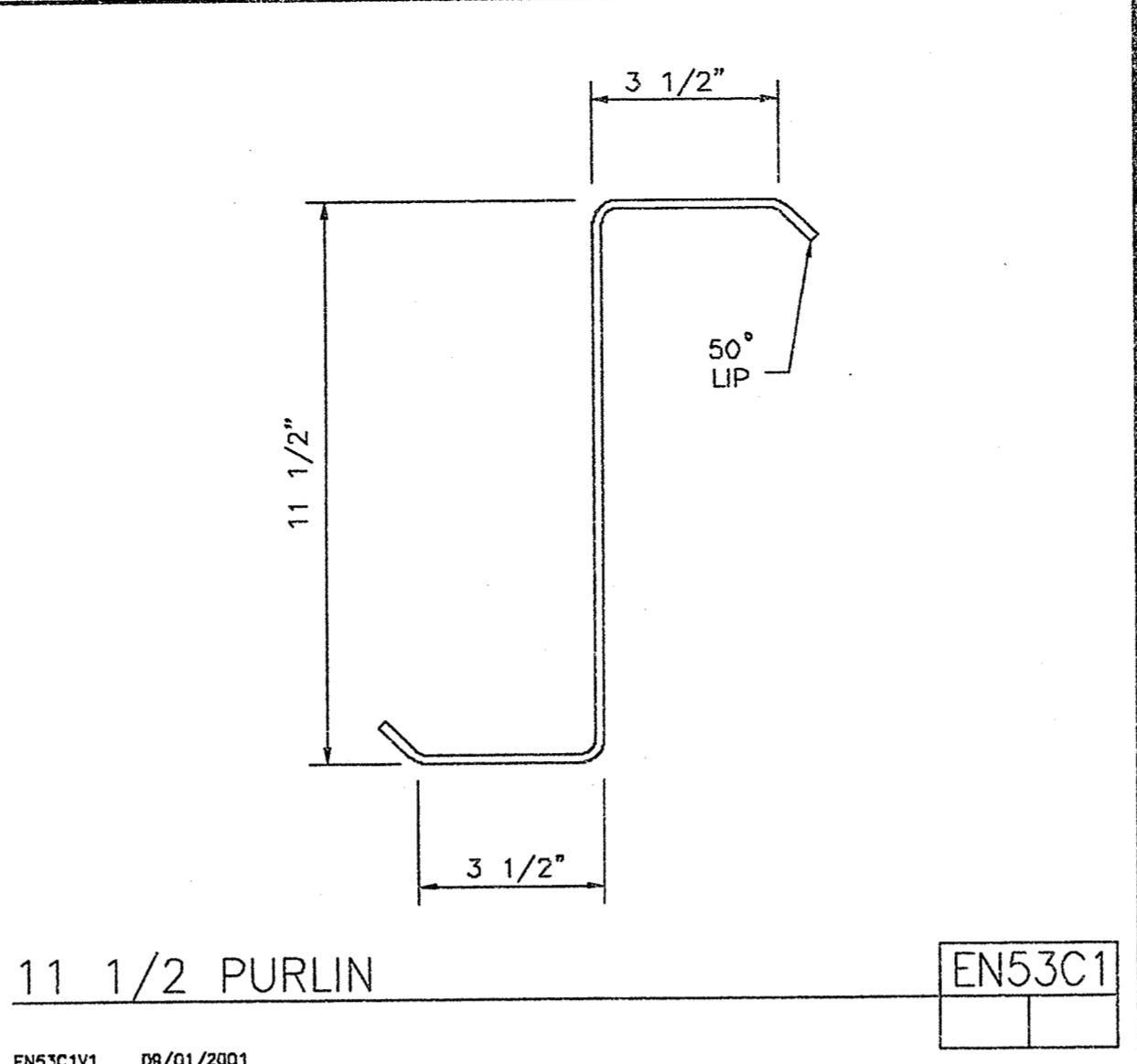


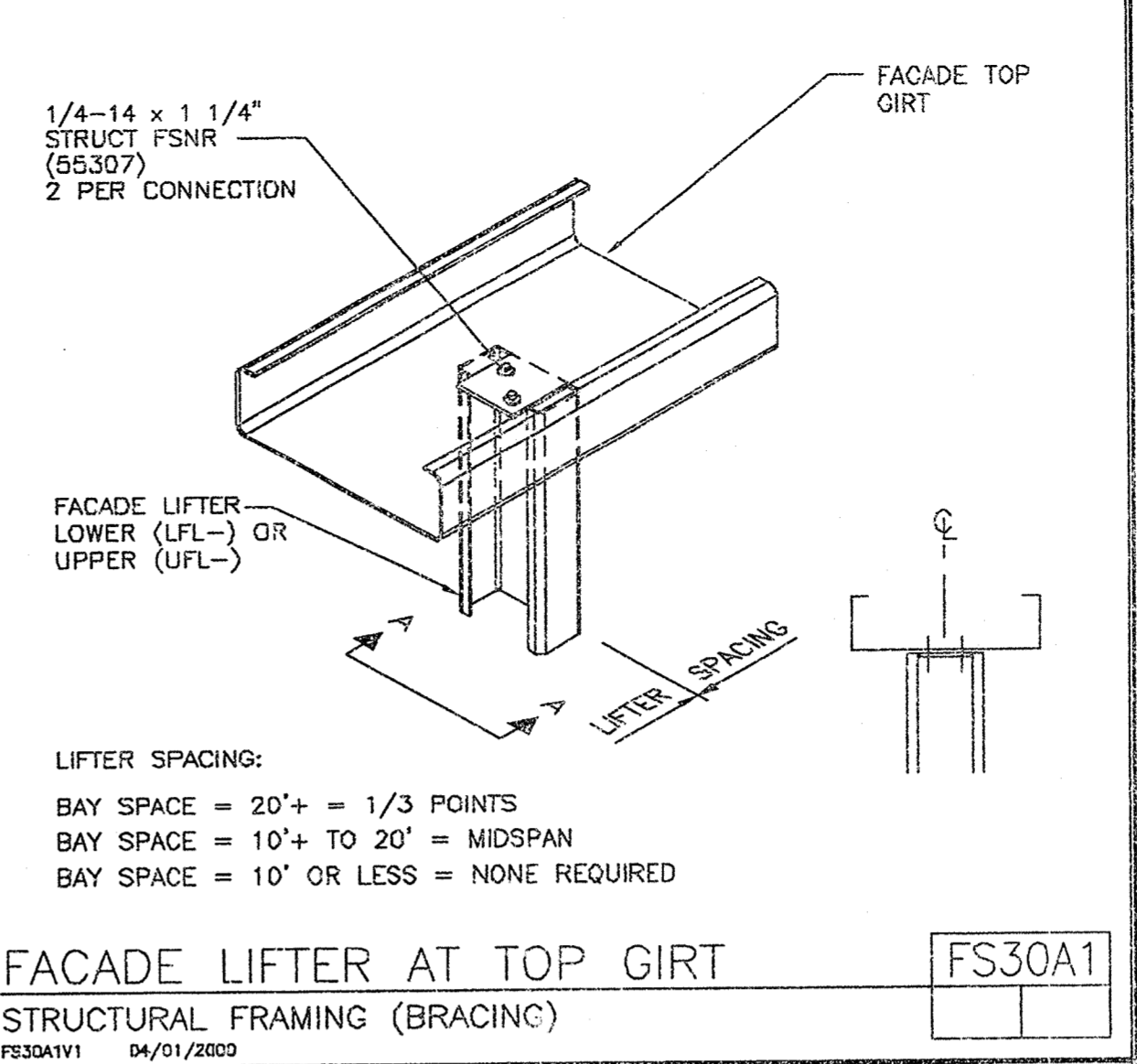
SLR2 ROOF PANELS EN52E1



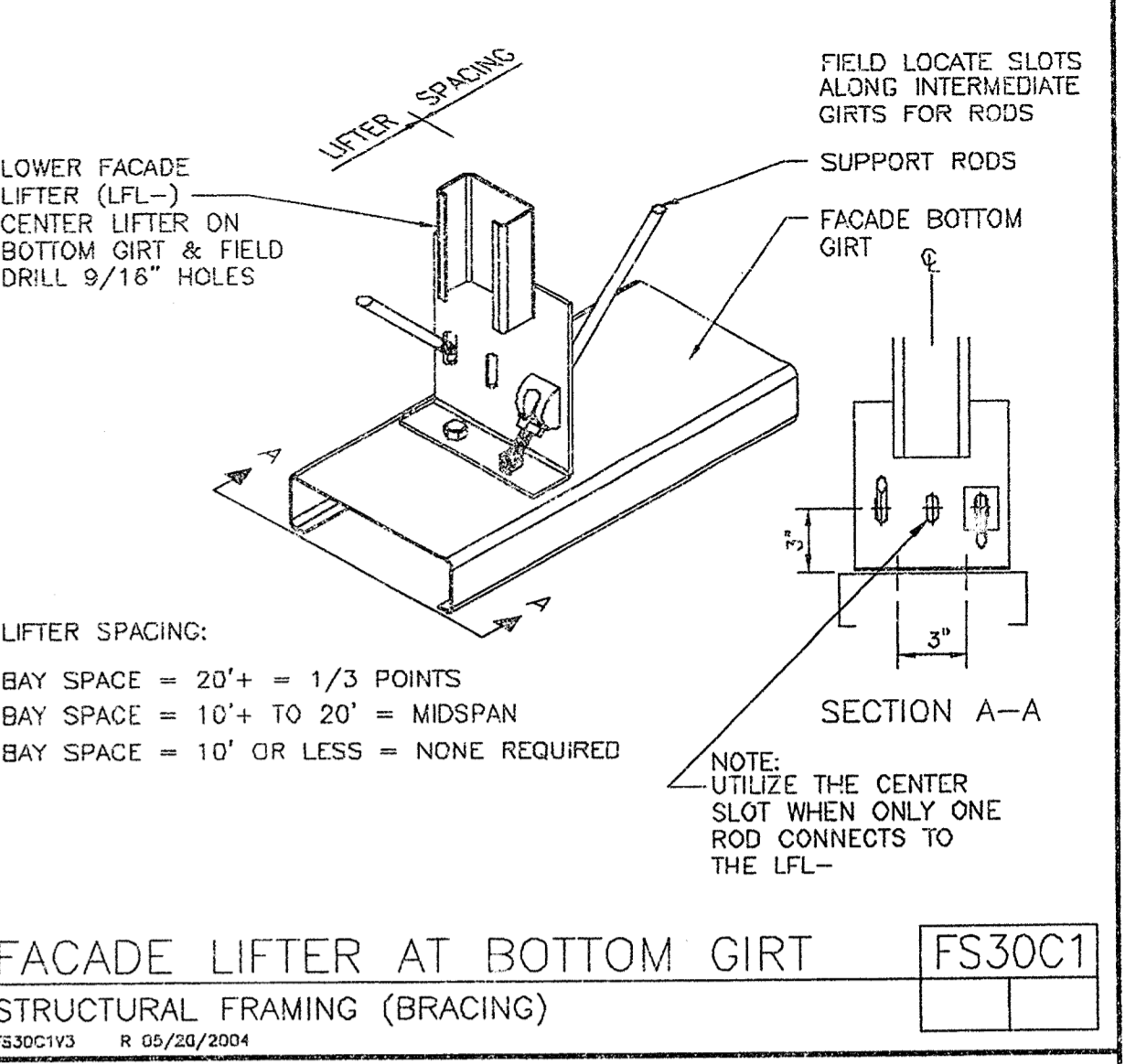
8 1/2 GIRTS / PURLINS EN53A1



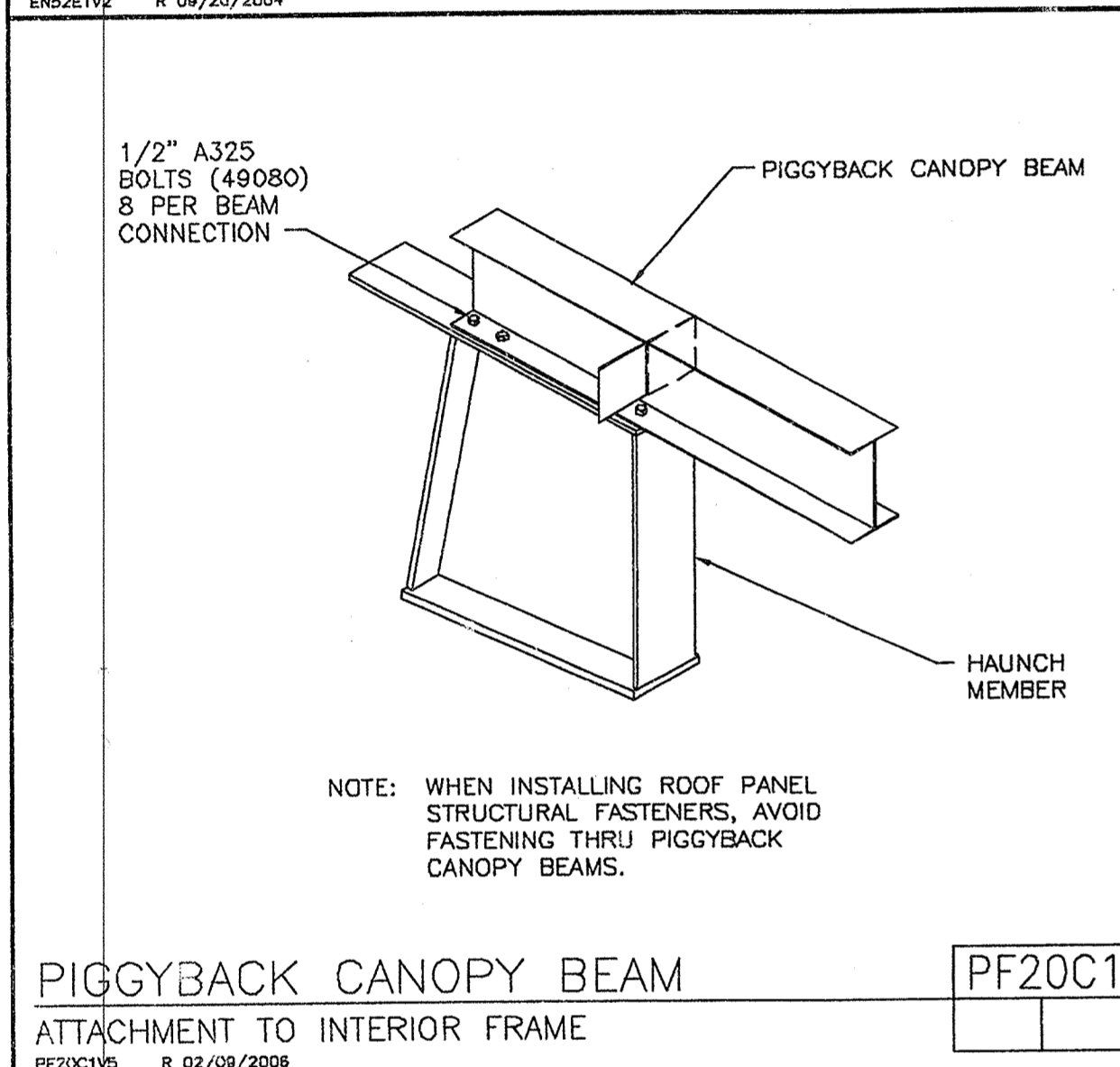
11 1/2 PURLIN EN53C1



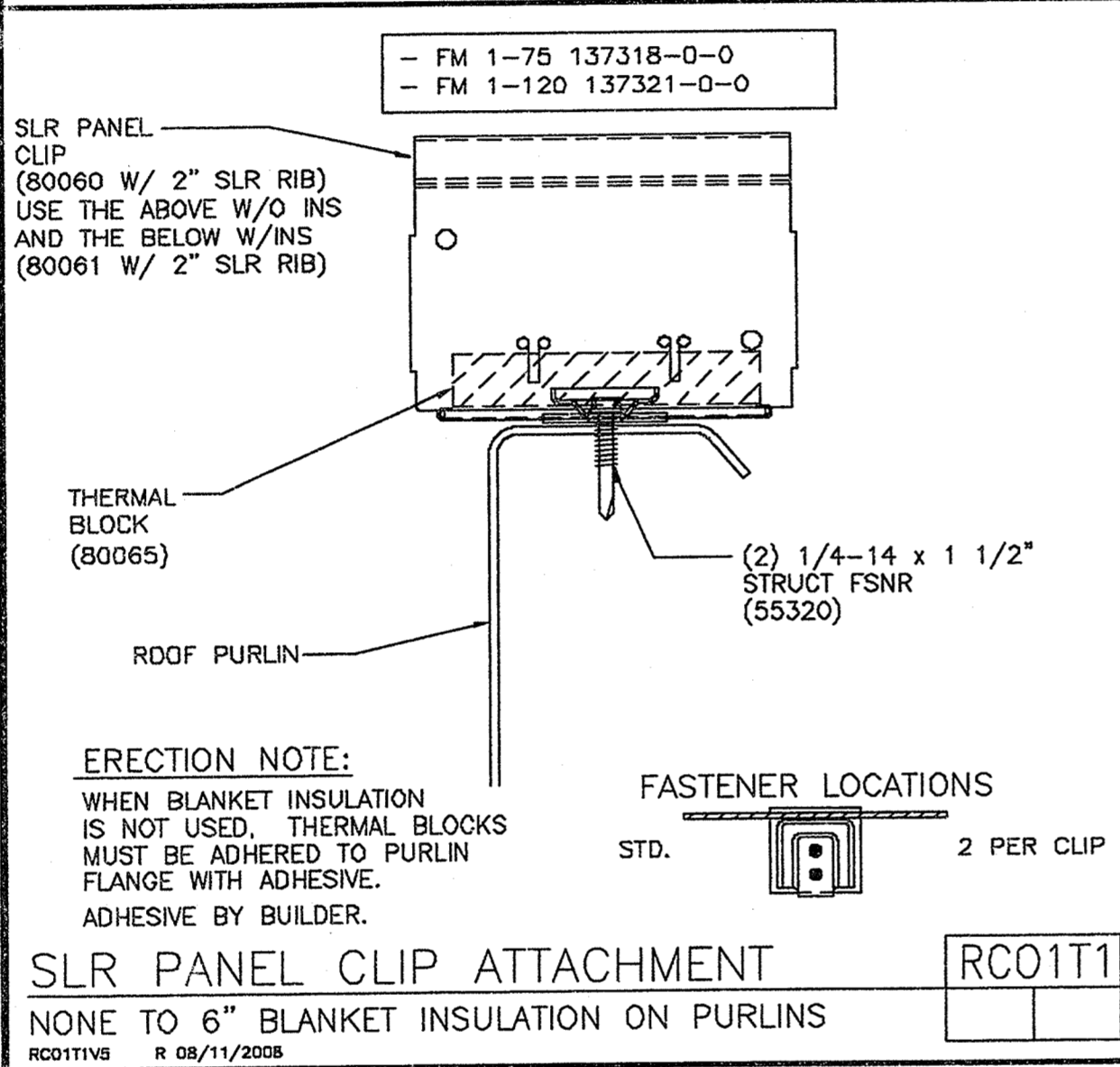
FACADE LIFTER AT TOP GIRTS FS30A1



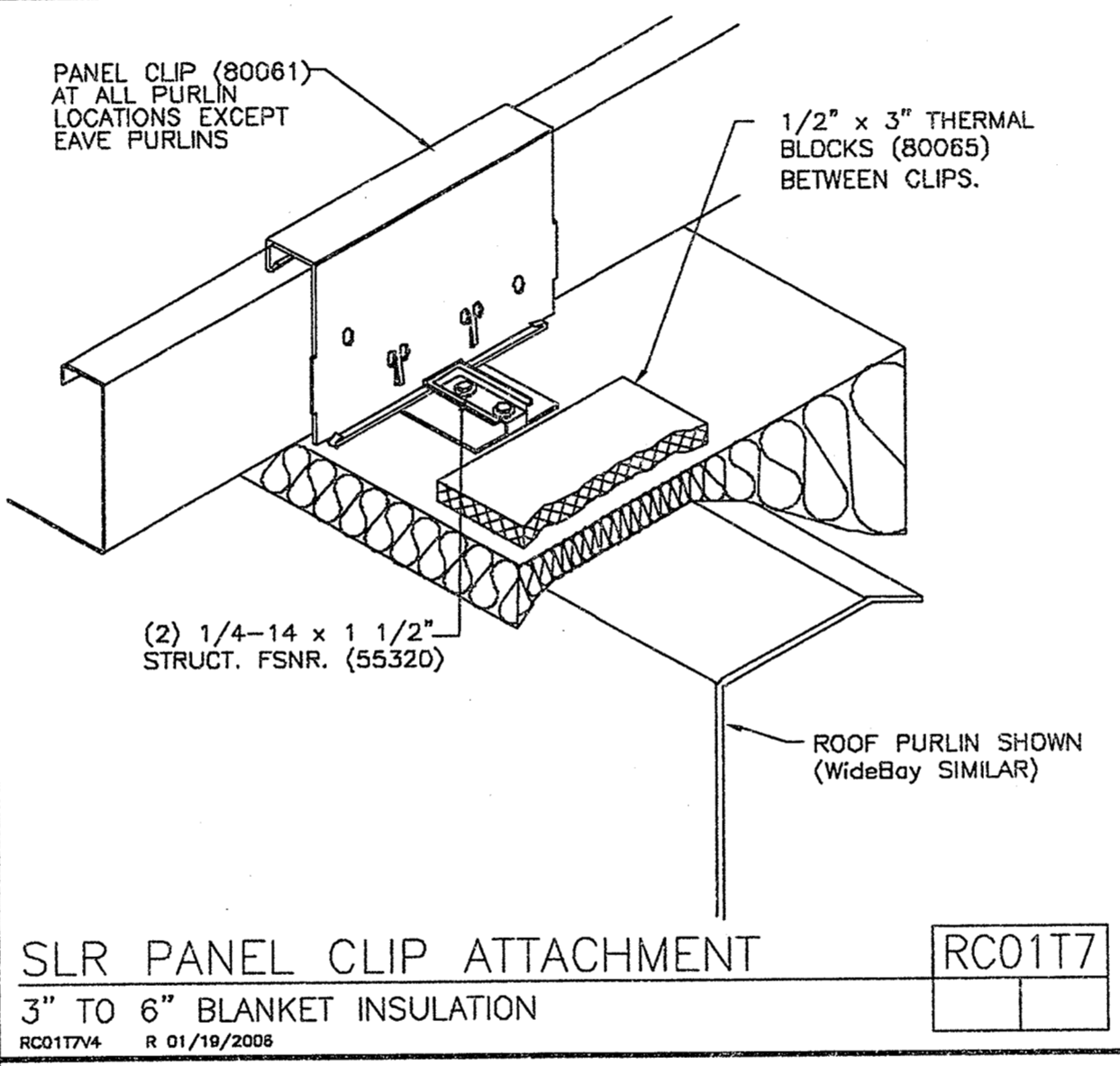
FACADE LIFTER AT BOTTOM GIRTS FS30C1



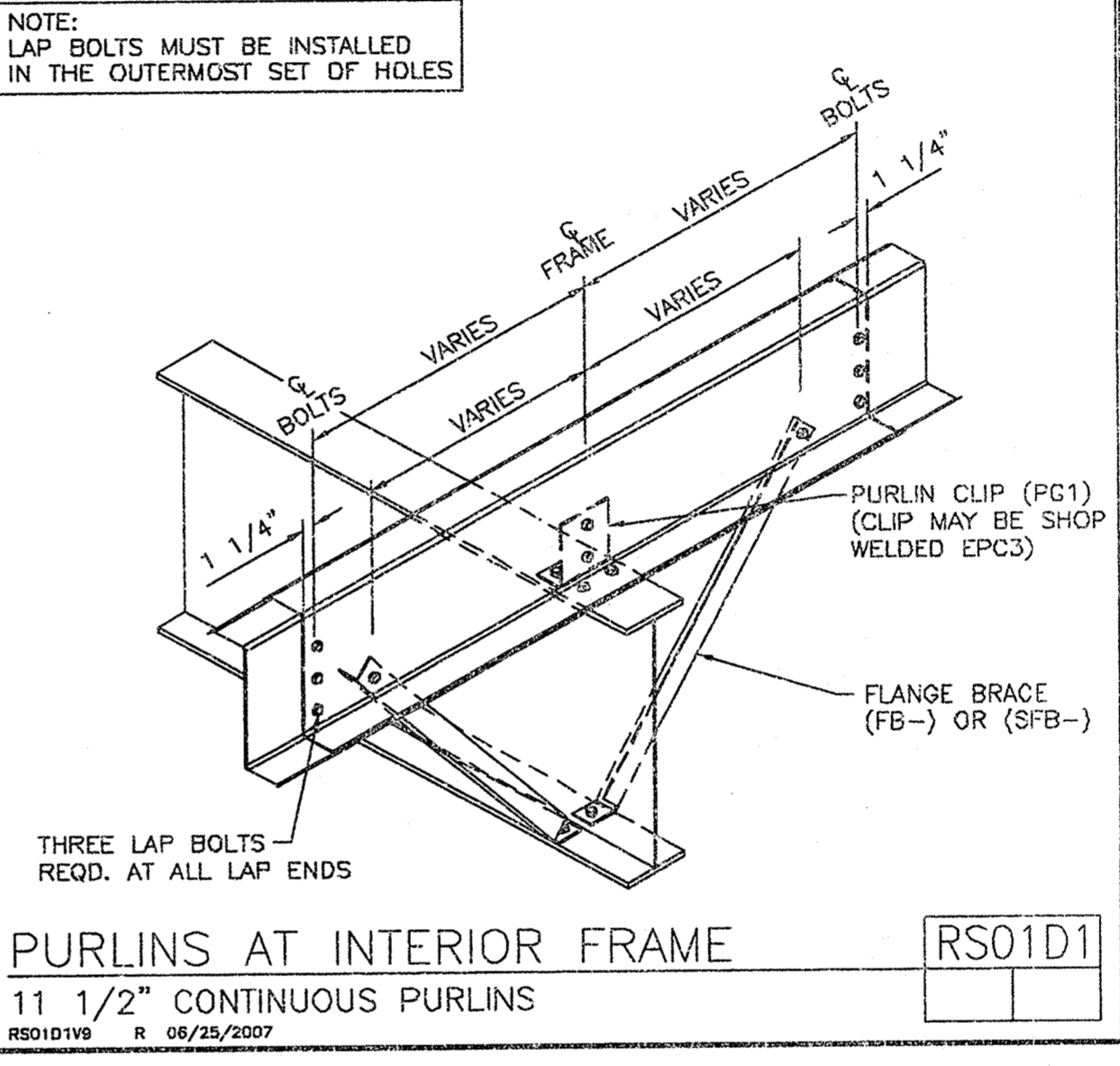
PIGGYBACK CANOPY BEAM ATTACHMENT TO INTERIOR FRAME PF20C1



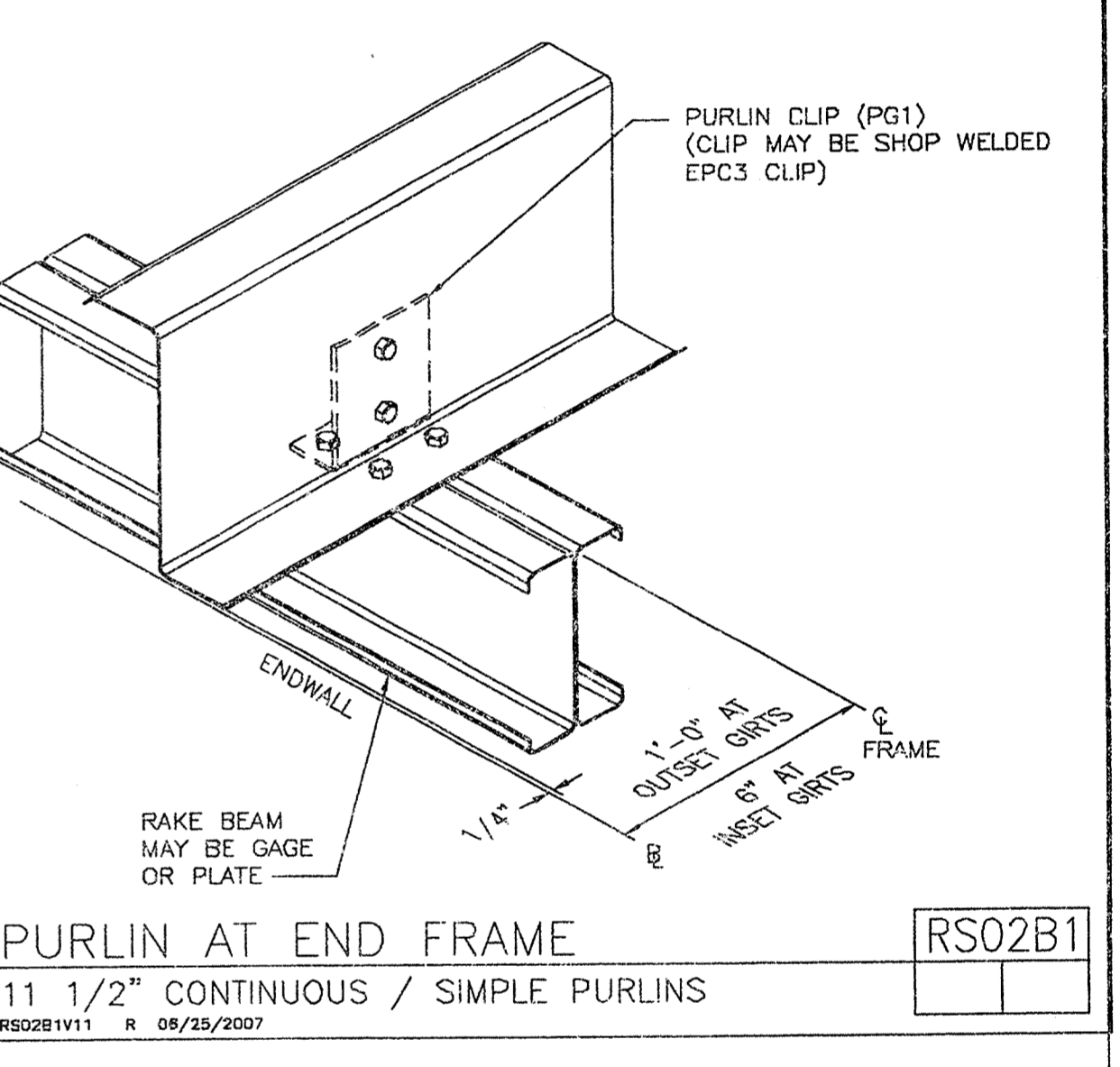
SLR PANEL CLIP ATTACHMENT NONE TO 6" BLANKET INSULATION ON PURLINS RC01T1



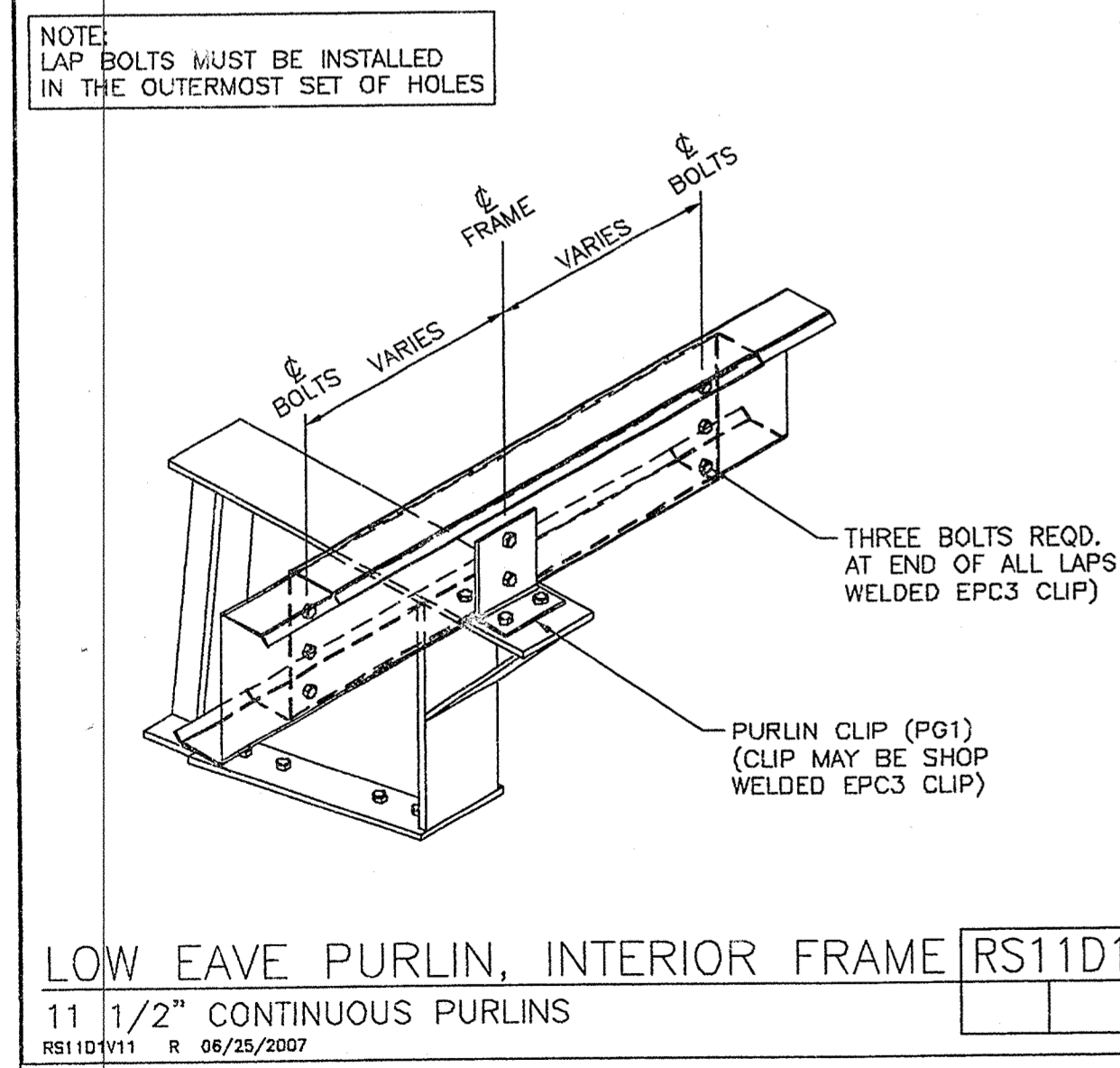
SLR PANEL CLIP ATTACHMENT 3" TO 6" BLANKET INSULATION RC01T7



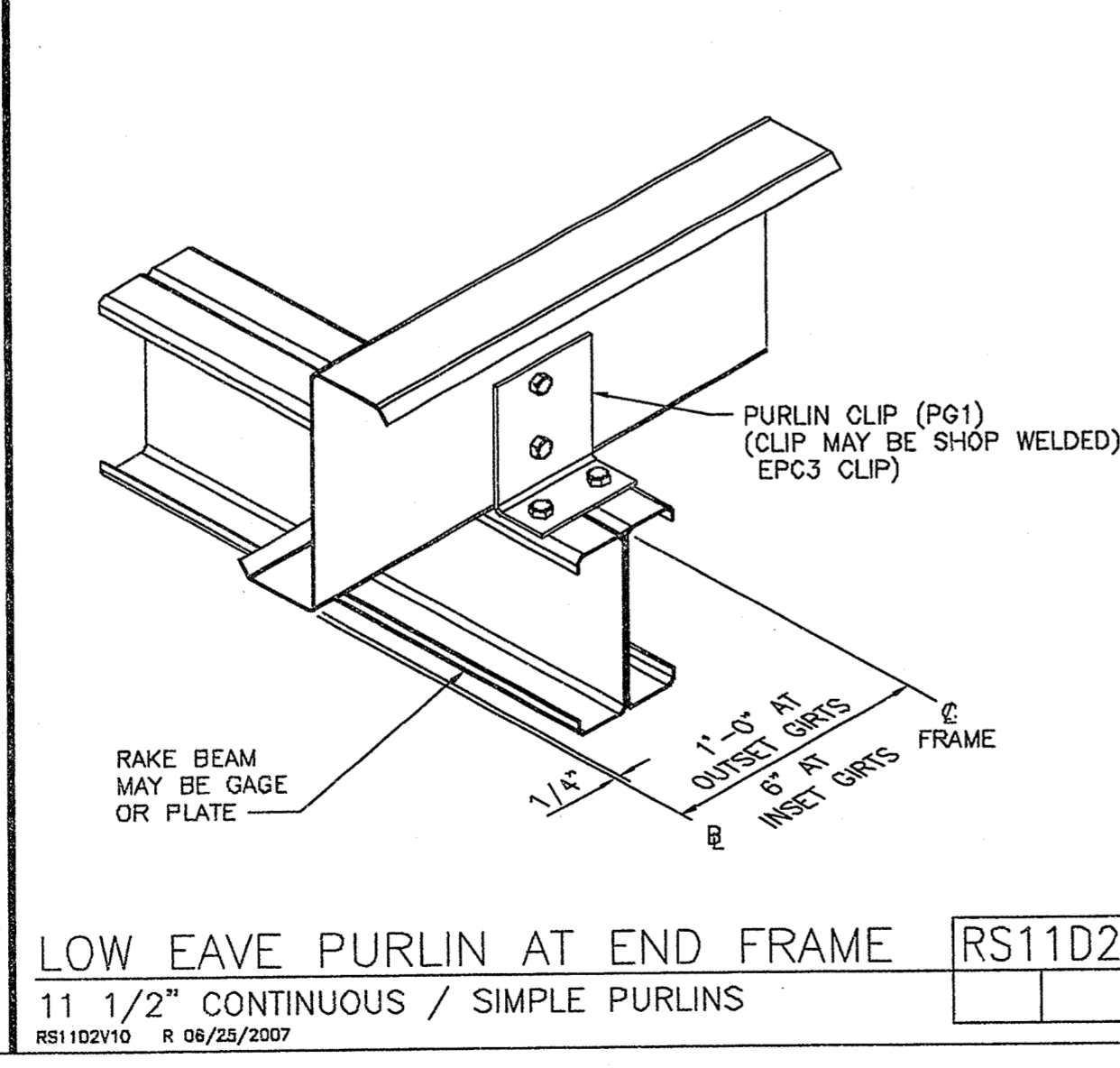
PURLINS AT INTERIOR FRAME 11 1/2" CONTINUOUS PURLINS RS01D1



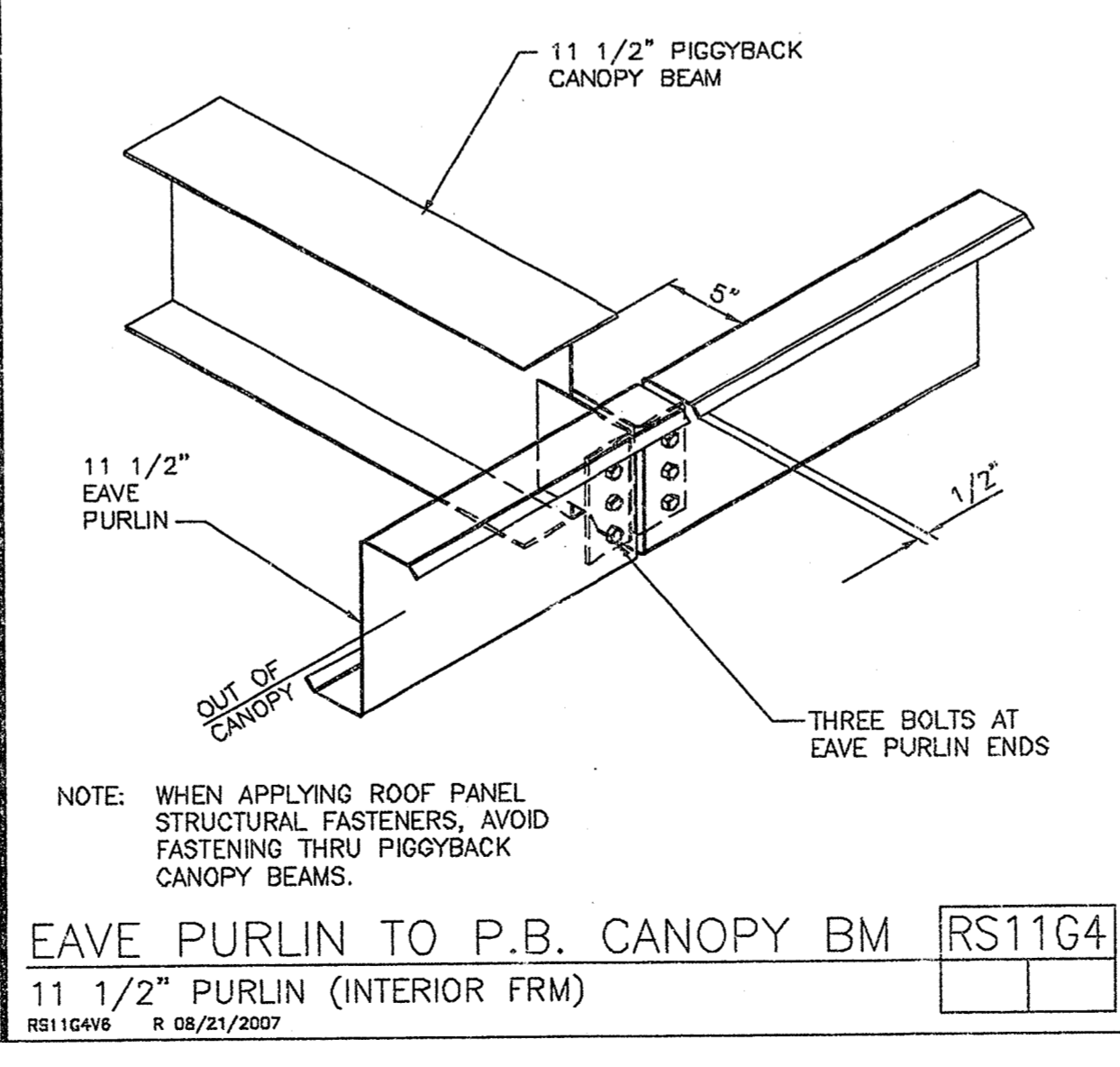
PURLIN AT END FRAME 11 1/2" CONTINUOUS / SIMPLE PURLINS RS02B1



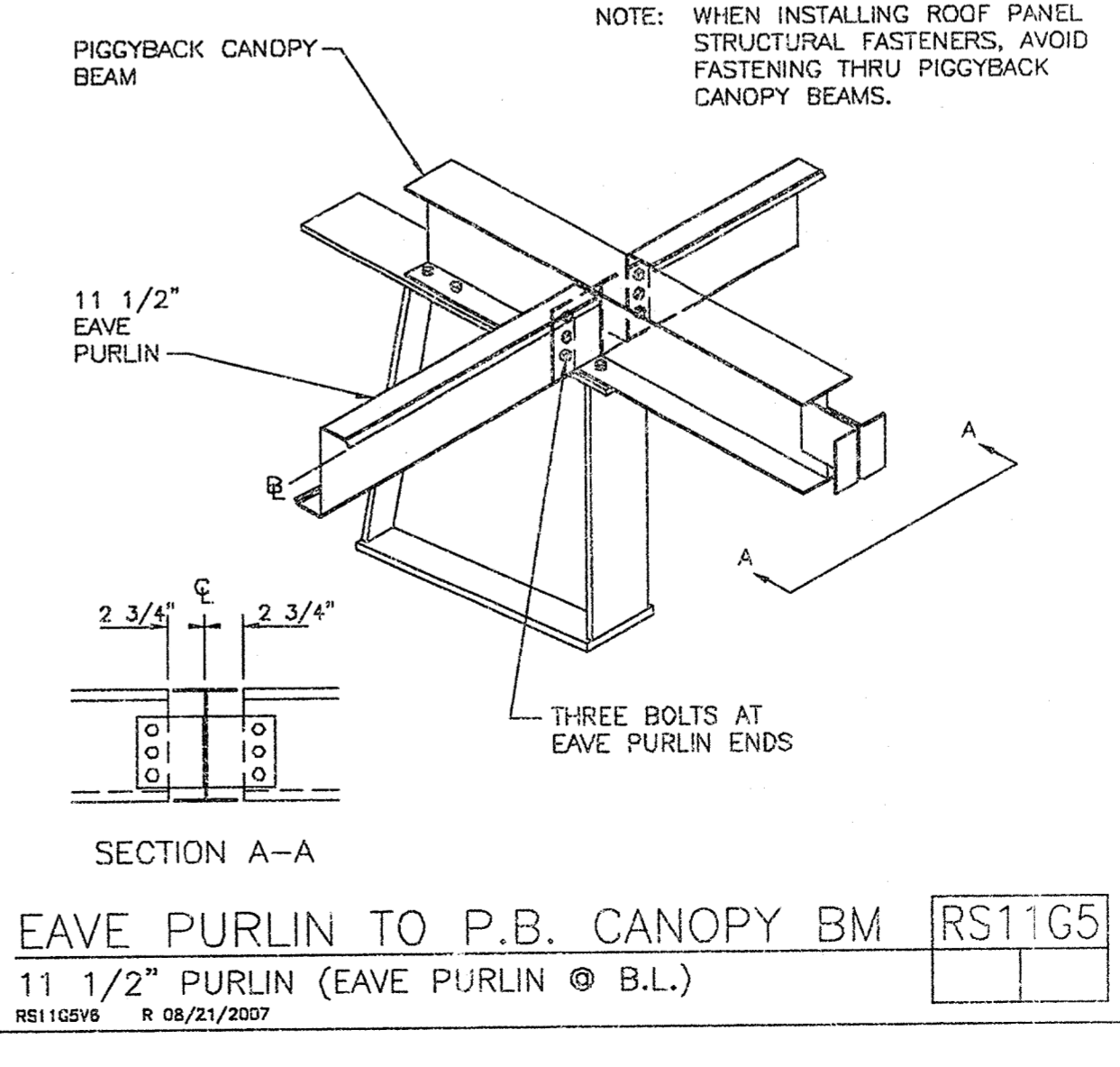
LOW EAVE PURLIN, INTERIOR FRAME 11 1/2" CONTINUOUS PURLINS RS11D1



LOW EAVE PURLIN AT END FRAME 11 1/2" CONTINUOUS / SIMPLE PURLINS RS11D2



EAVE PURLIN TO P.B. CANOPY BM 11 1/2" PURLIN (INTERIOR FRM) RS11G4



EAVE PURLIN TO P.B. CANOPY BM 11 1/2" PURLIN (EAVE PURLIN @ B.L.) RS11G5

THE VP ENGINEER'S SEAL APPLIES ONLY TO THE WORK PRODUCT OF VP AND DESIGN AND PERFORMANCE REQUIREMENTS SPECIFIED BY VP. THE VP ENGINEER'S SEAL DOES NOT APPLY TO THE PERFORMANCE OR DESIGN OF ANY OTHER PRODUCT OR COMPONENT FURNISHED BY VP EXCEPT TO ANY DESIGN OR PERFORMANCE REQUIREMENTS SPECIFIED BY VP.

THIS DRAWING, INCLUDING THE INFORMATION HEREON, REMAINS THE PROPERTY OF VP BUILDINGS. IT IS PROVIDED SOLELY FOR ERECTING THE BUILDING DESCRIBED IN THE APPLICABLE PURCHASE ORDER AND SHALL NOT BE MODIFIED, REPRODUCED OR USED FOR ANY OTHER PURPOSE WITHOUT PRIOR WRITTEN APPROVAL OF VP BUILDINGS.

THE GENERAL CONTRACTOR AND/OR ERECTOR IS SOLELY RESPONSIBLE FOR ACCURATE, GOOD QUALITY WORKMANSHIP IN ERECTING THIS BUILDING IN CONFORMANCE WITH THIS DRAWING, DETAILS REFERENCED IN THIS DRAWING, ALL APPLICABLE VP ERECTION GUIDES, AND INDUSTRY STANDARDS PERTAINING TO PROPER ERECTION INCLUDING THE CORRECT USE OF TEMPORARY BRACING.

VP Buildings			
3200 Players Club Circle Memphis TN 38125			
REV	DATE	BY	DESCRIPTION

BUILDING SED'S	
BUILDER	Broadmoor, LLC
CUSTOMER	John F. Stennis Space Center
LOCATION	Stennis Space Center, Mississippi
PROJECT	Riverine and Combatant Craft Operations Facility
BUILDERS POF	VP BUILDINGS

JOANO	08-28914EP3
DATE	4/30/09
DRAWN/CHECK	BR BR
PAGE	29

