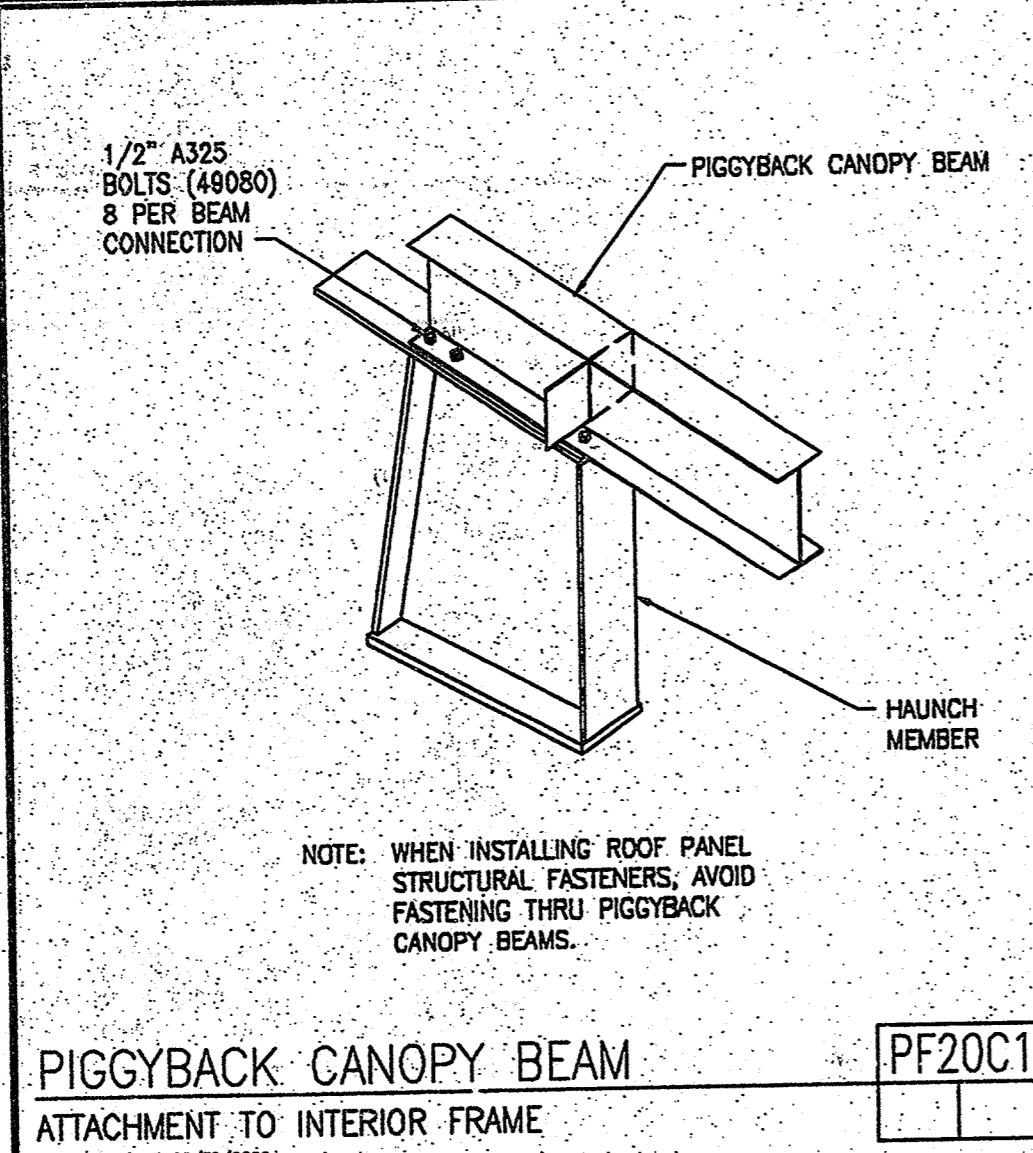
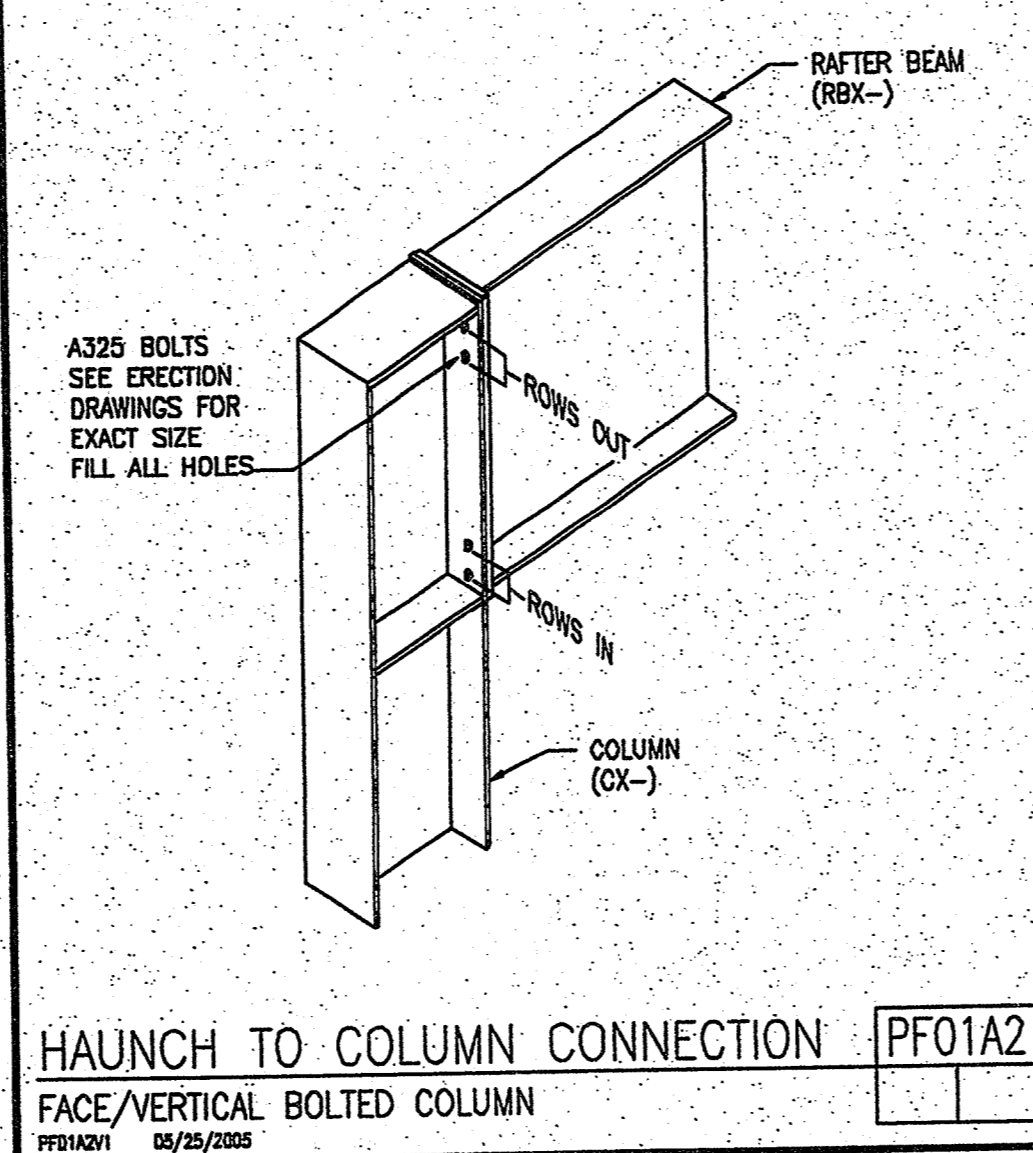


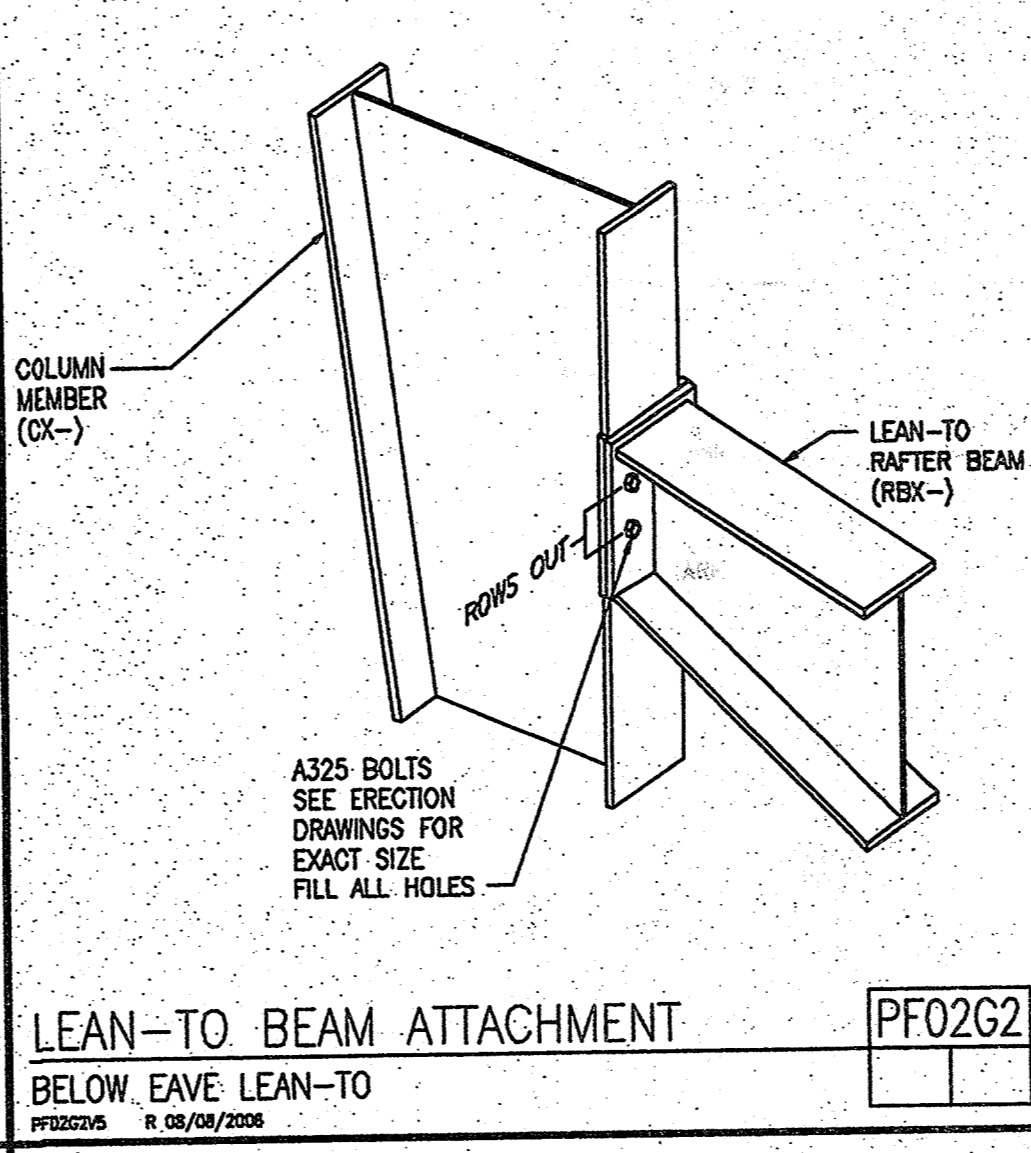
11 1/2 PURLIN



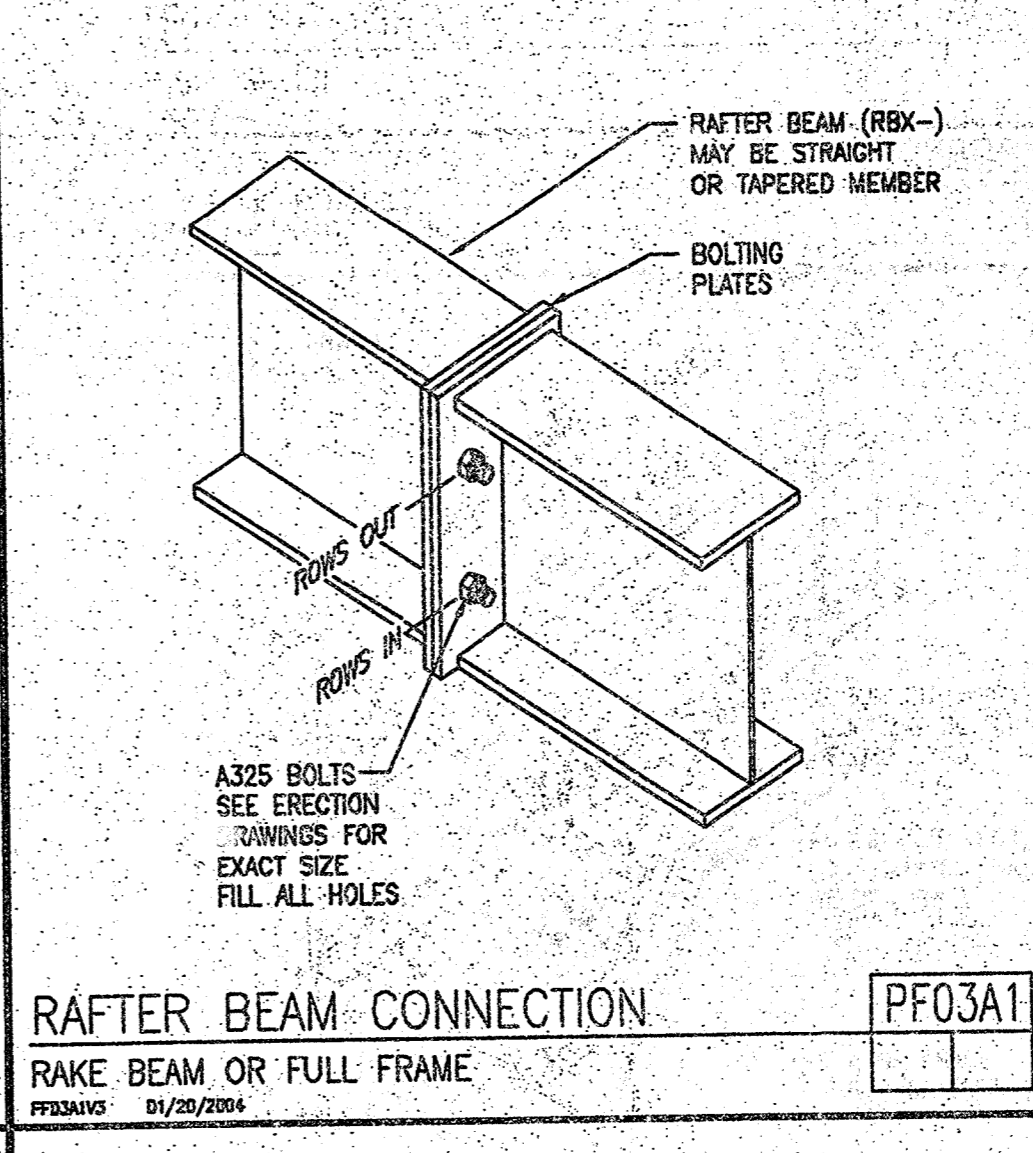
PIGGYBACK CANOPY BEAM



HAUNCH TO COLUMN CONNECTION



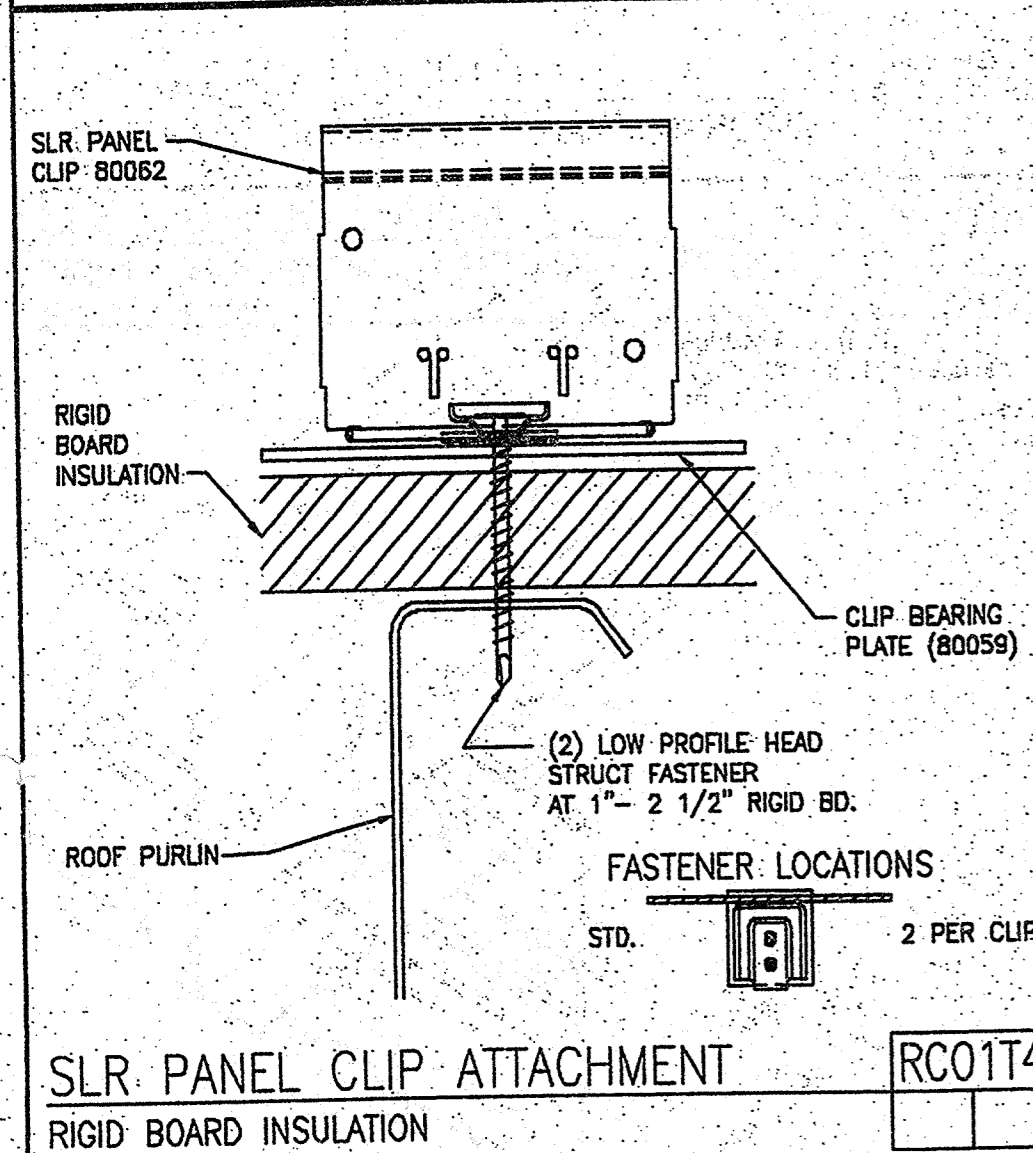
LEAN-TO BEAM ATTACHMENT



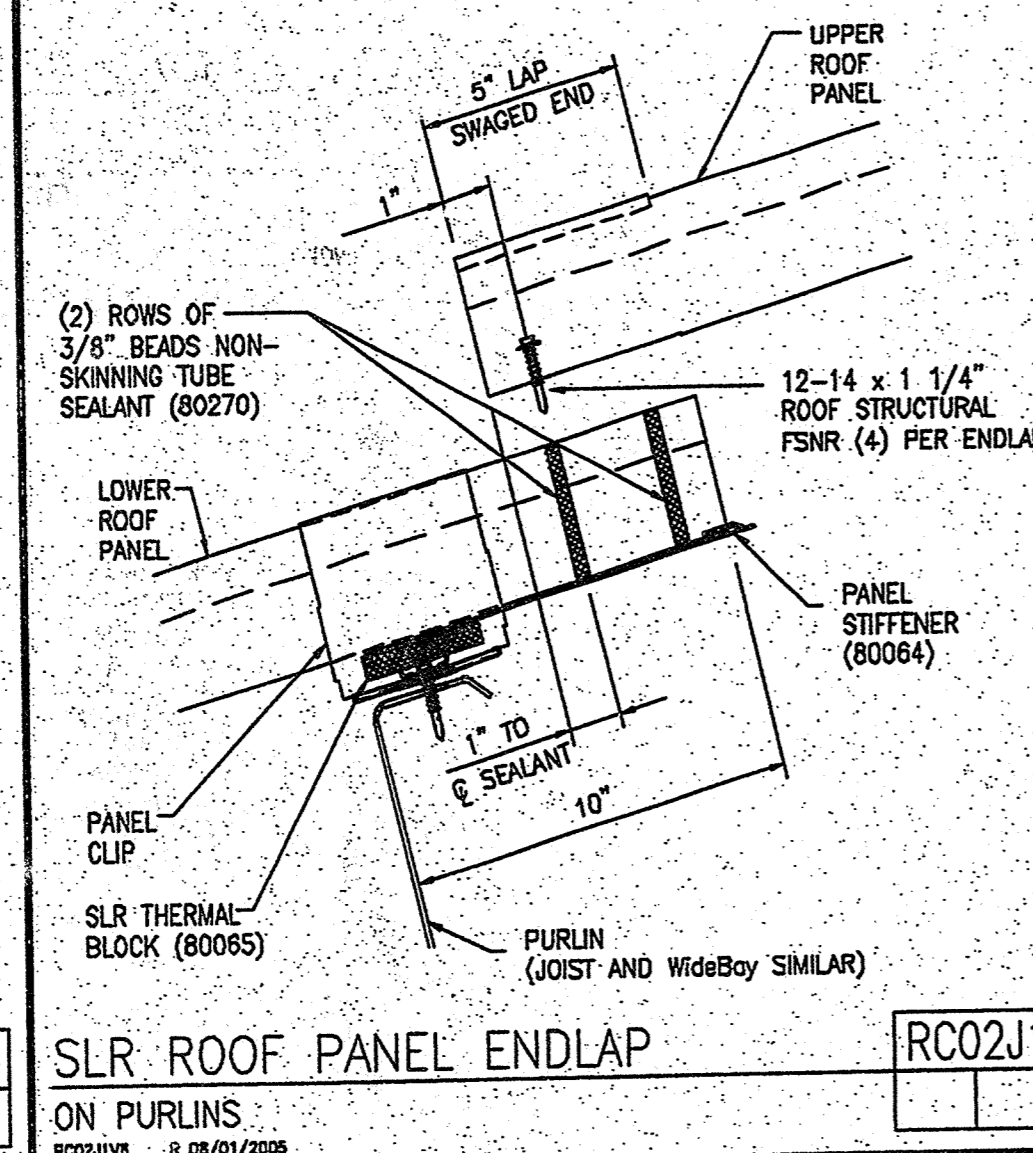
RAFTER BEAM CONNECTION

NOTES

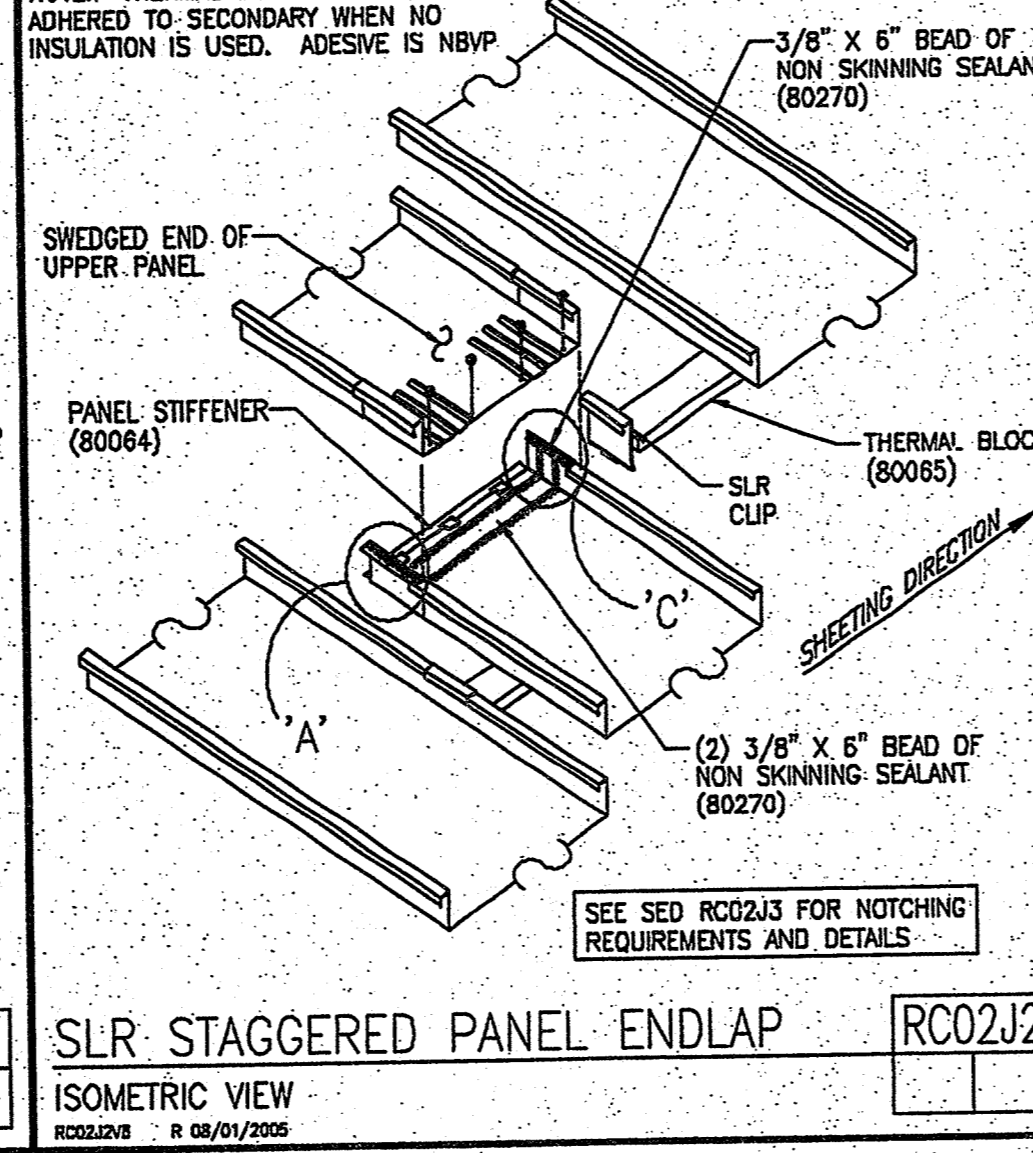
- STANDARD ERECTION DETAILS (SED) SUPERSEDE SIMILAR DETAILS FOUND IN THE ERECTION GUIDES. REFER TO THE ERECTION GUIDES FOR OTHER DETAILS, INSTALLATION PROCEDURES AND ACCESSORIES NOT DESCRIBED IN THE SED'S.
- ALL PANEL AND TRIM SURFACES MUST BE FREE OF DIRT AND OIL AT MASTIC AND SEALANT LOCATIONS.



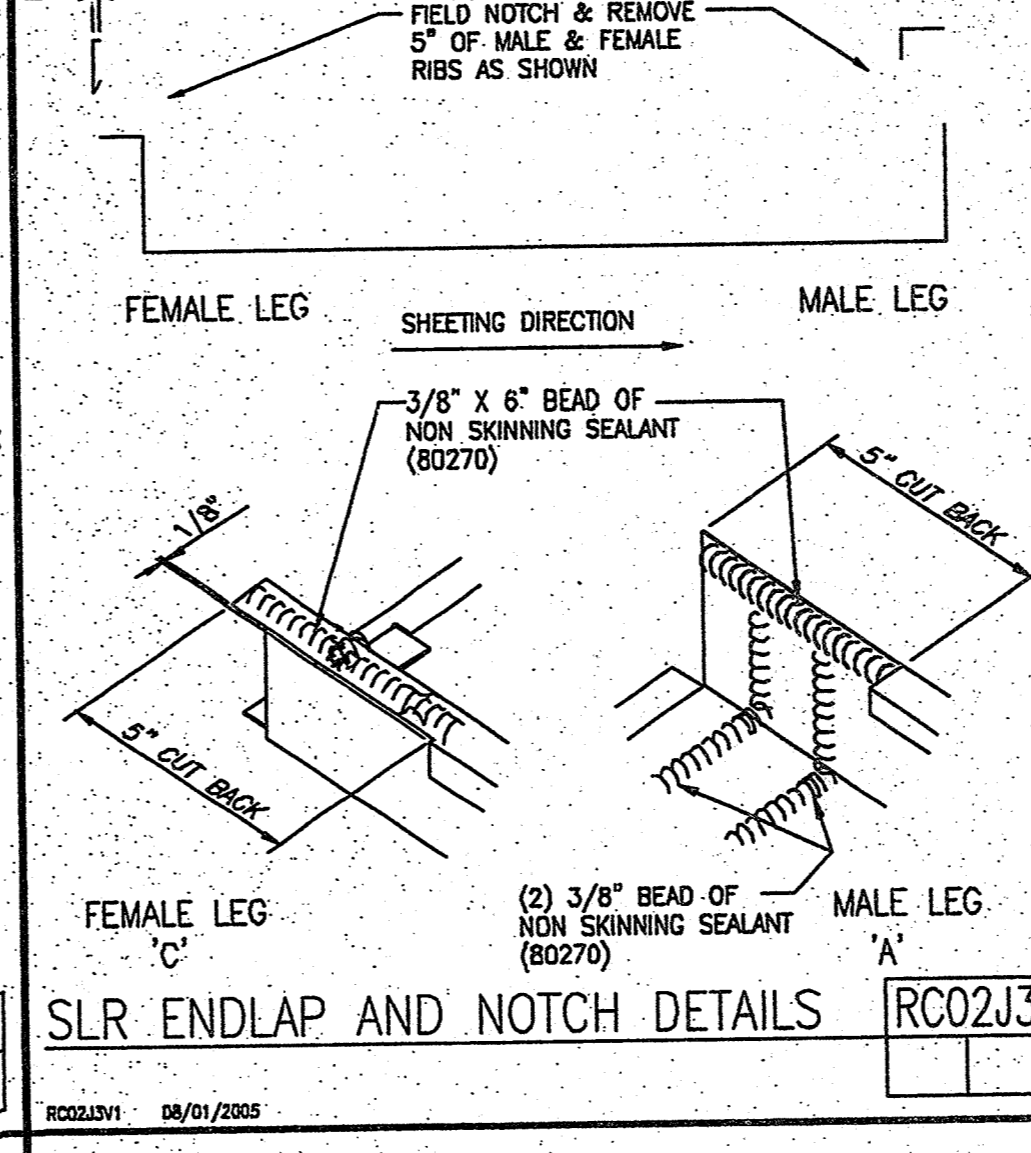
SLR PANEL CLIP ATTACHMENT



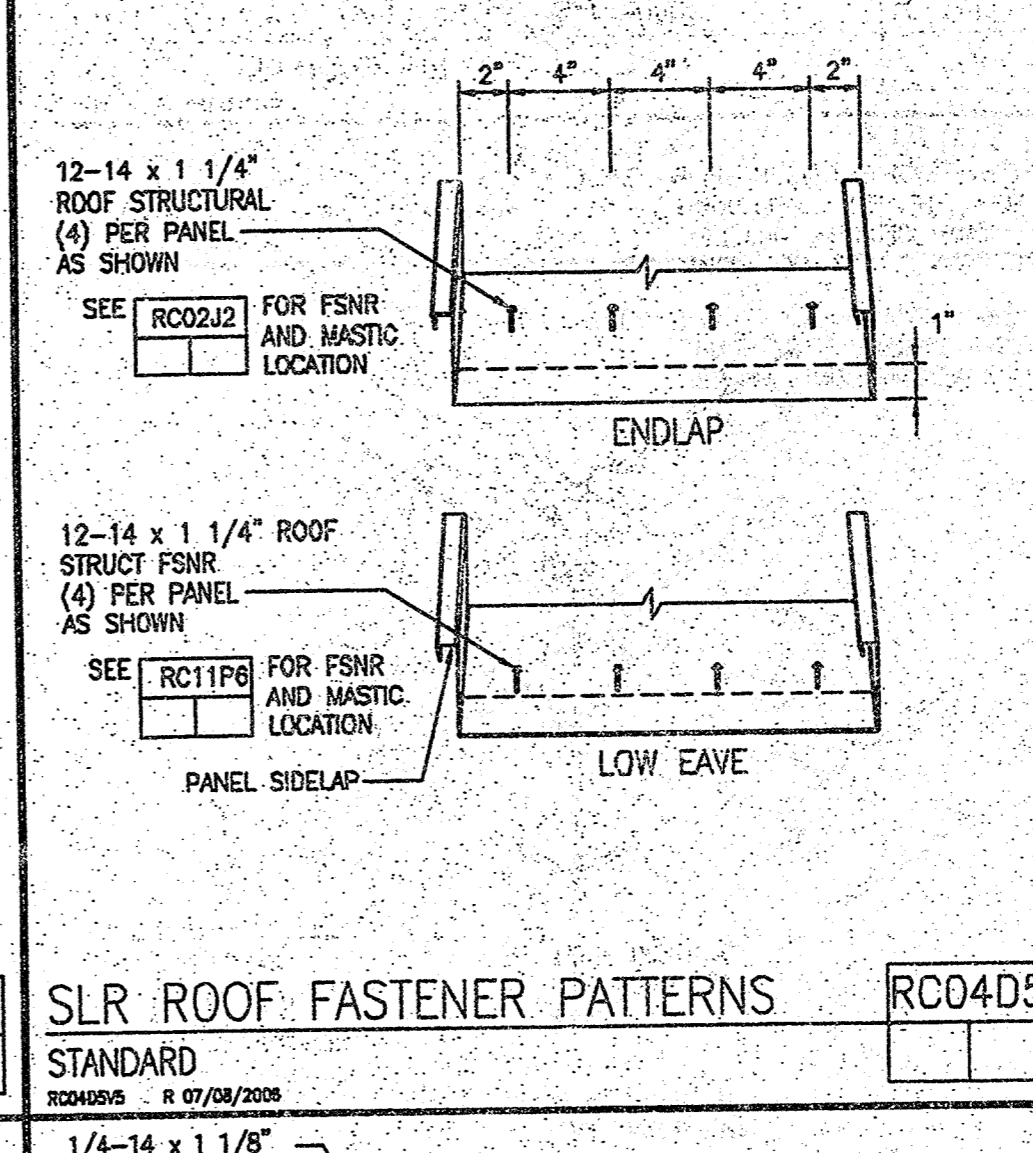
SLR ROOF PANEL ENDLAP



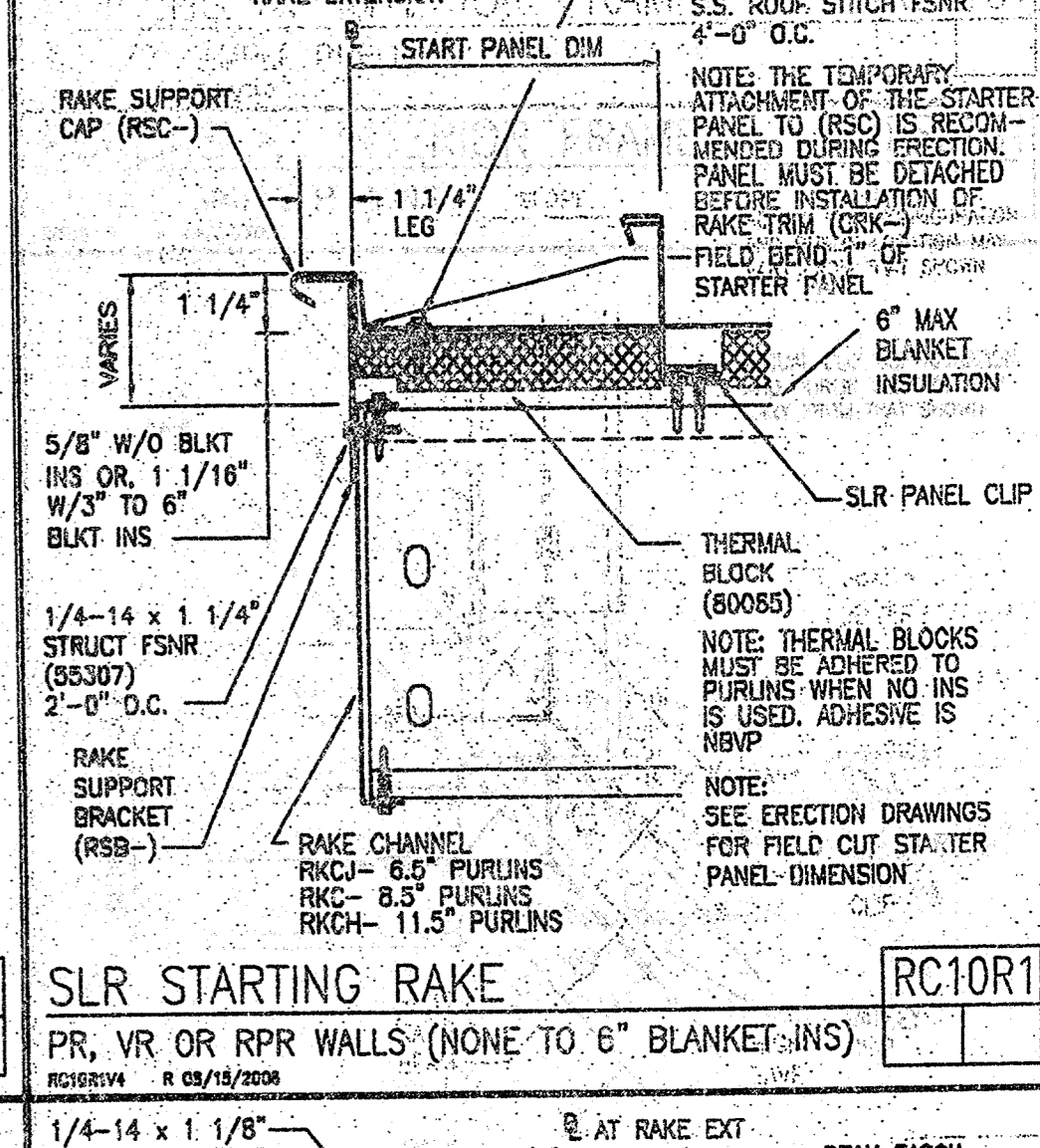
SLR STAGGERED PANEL ENDLAP



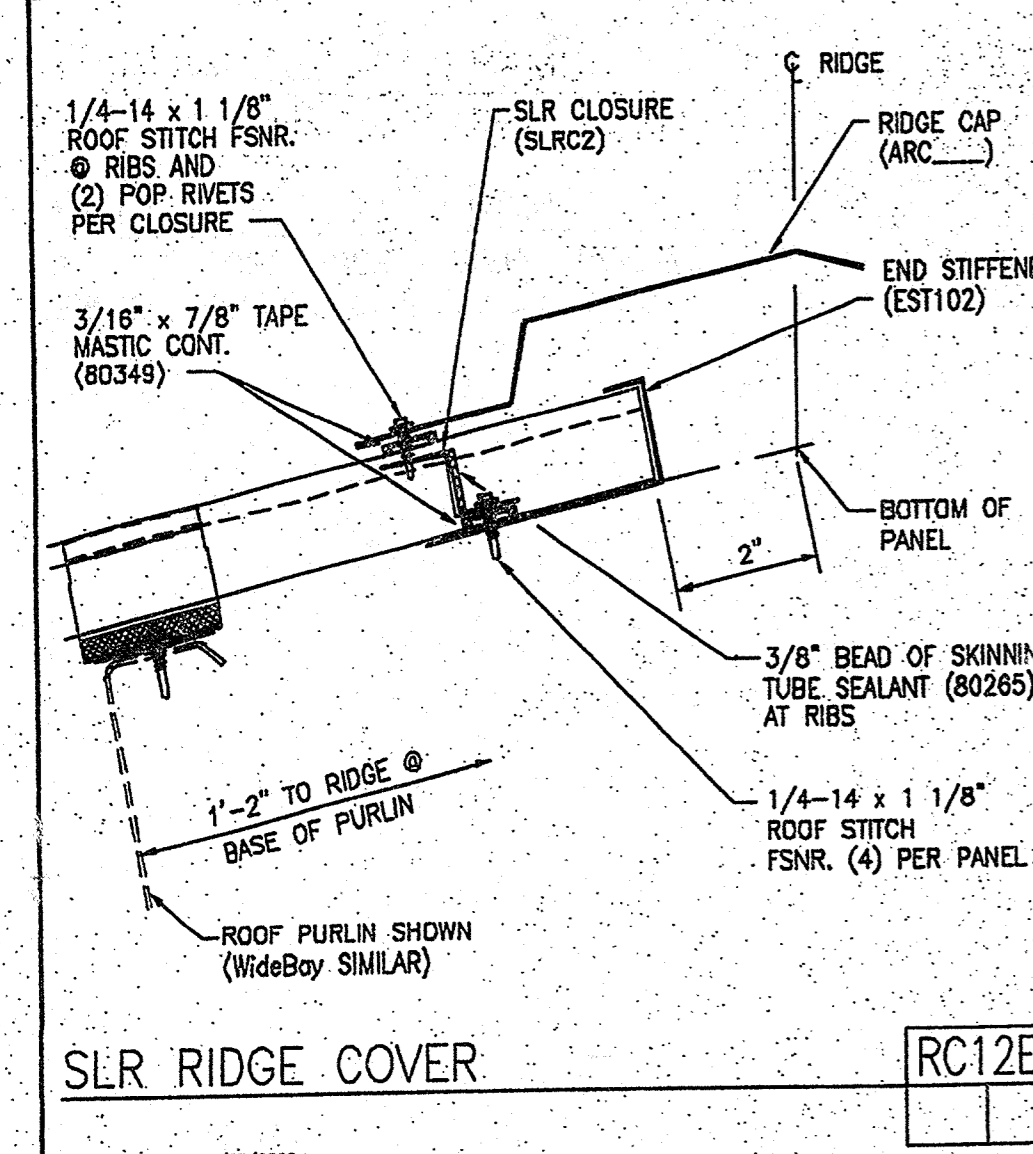
SLR ENDLAP AND NOTCH DETAILS



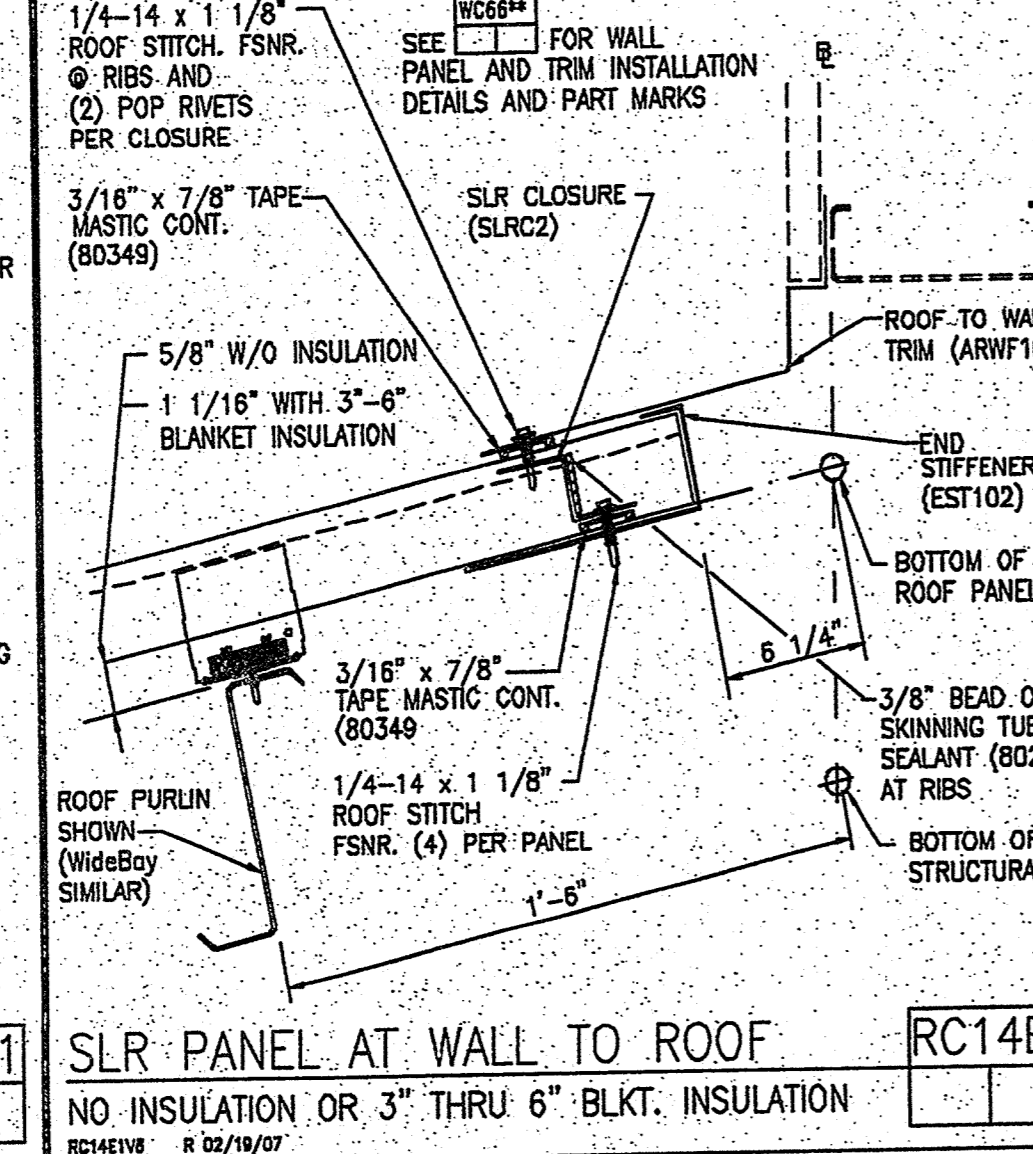
SLR ROOF FASTENER PATTERNS



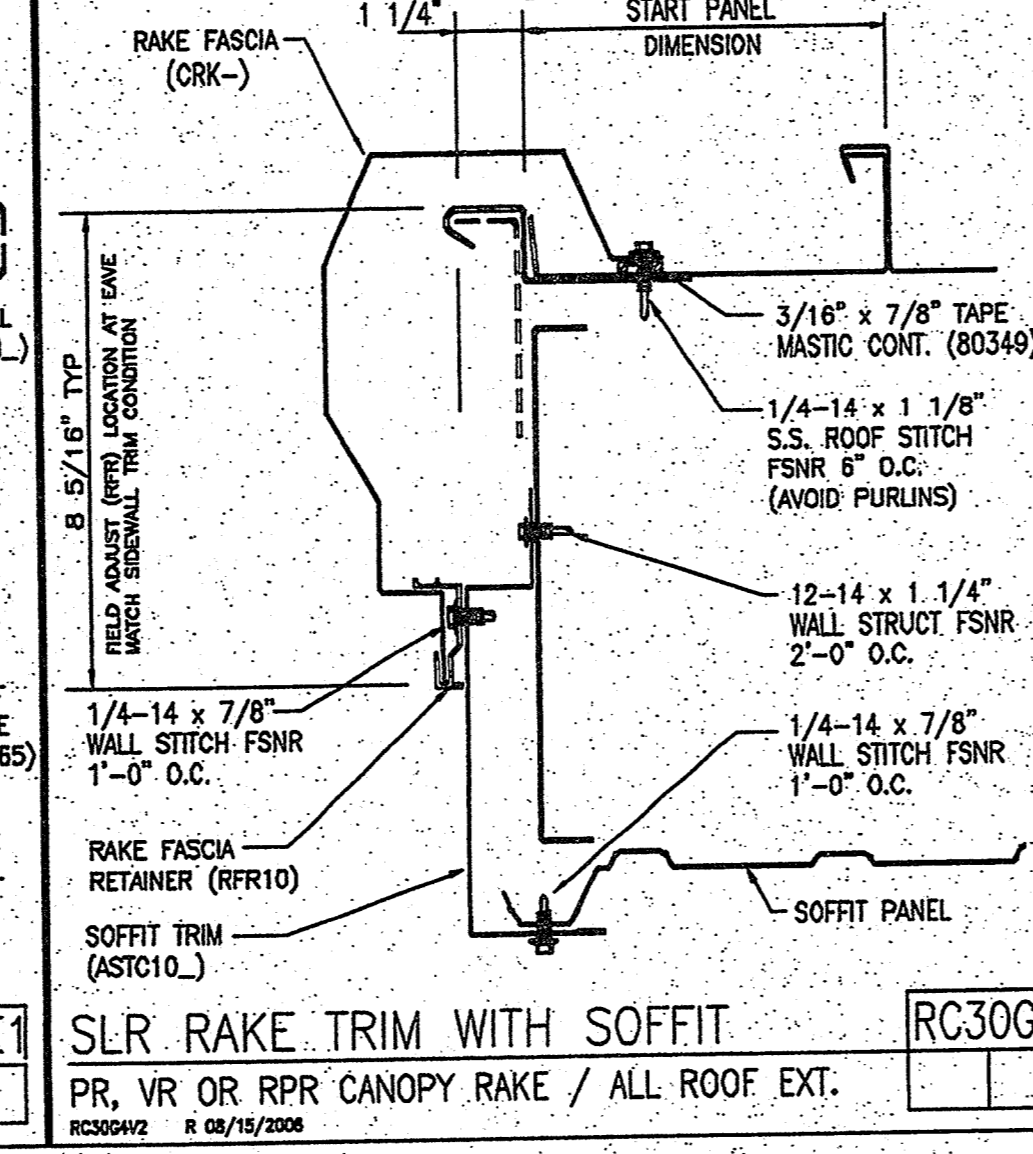
SLR STARTING RAKE



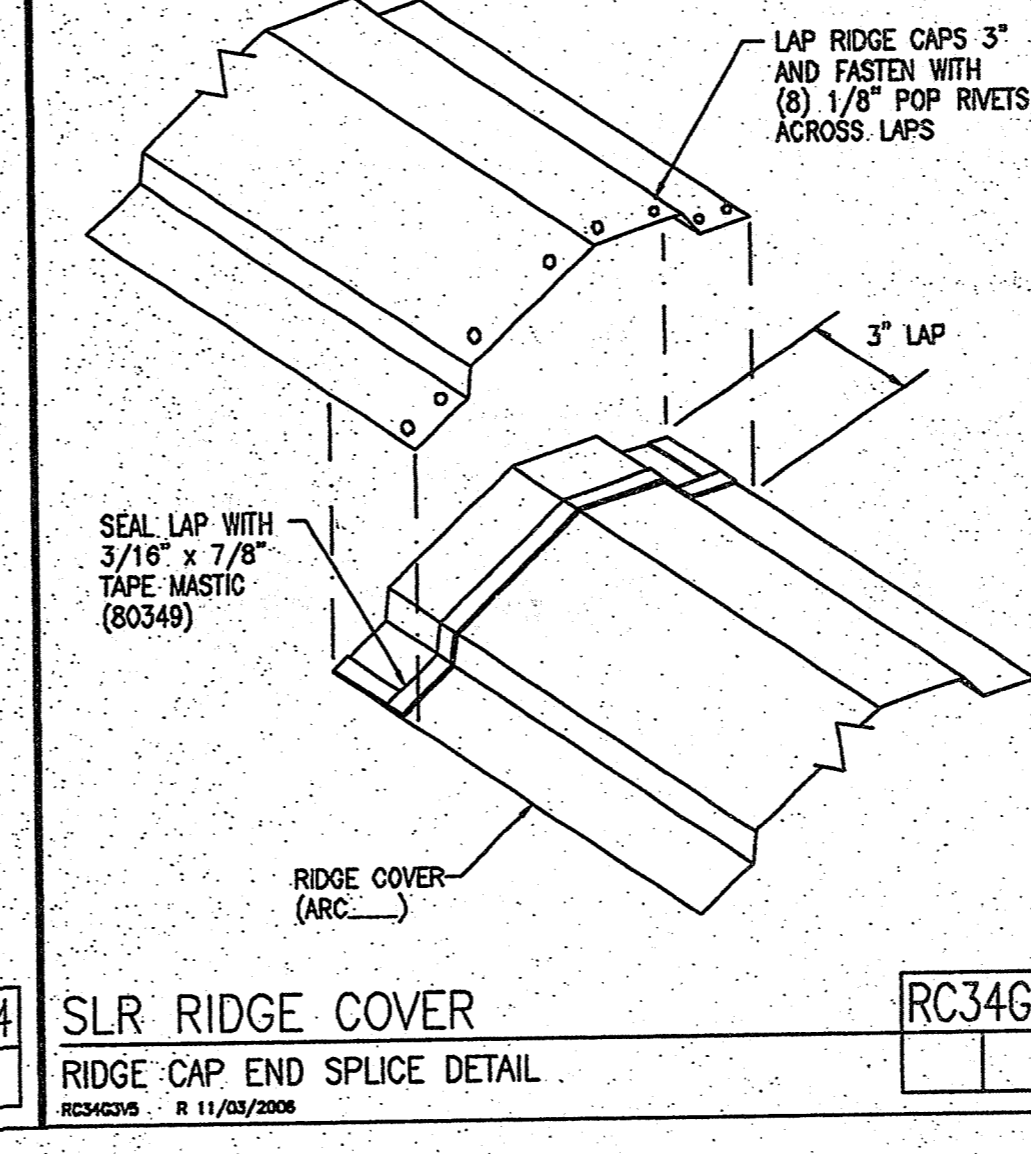
SLR RIDGE COVER



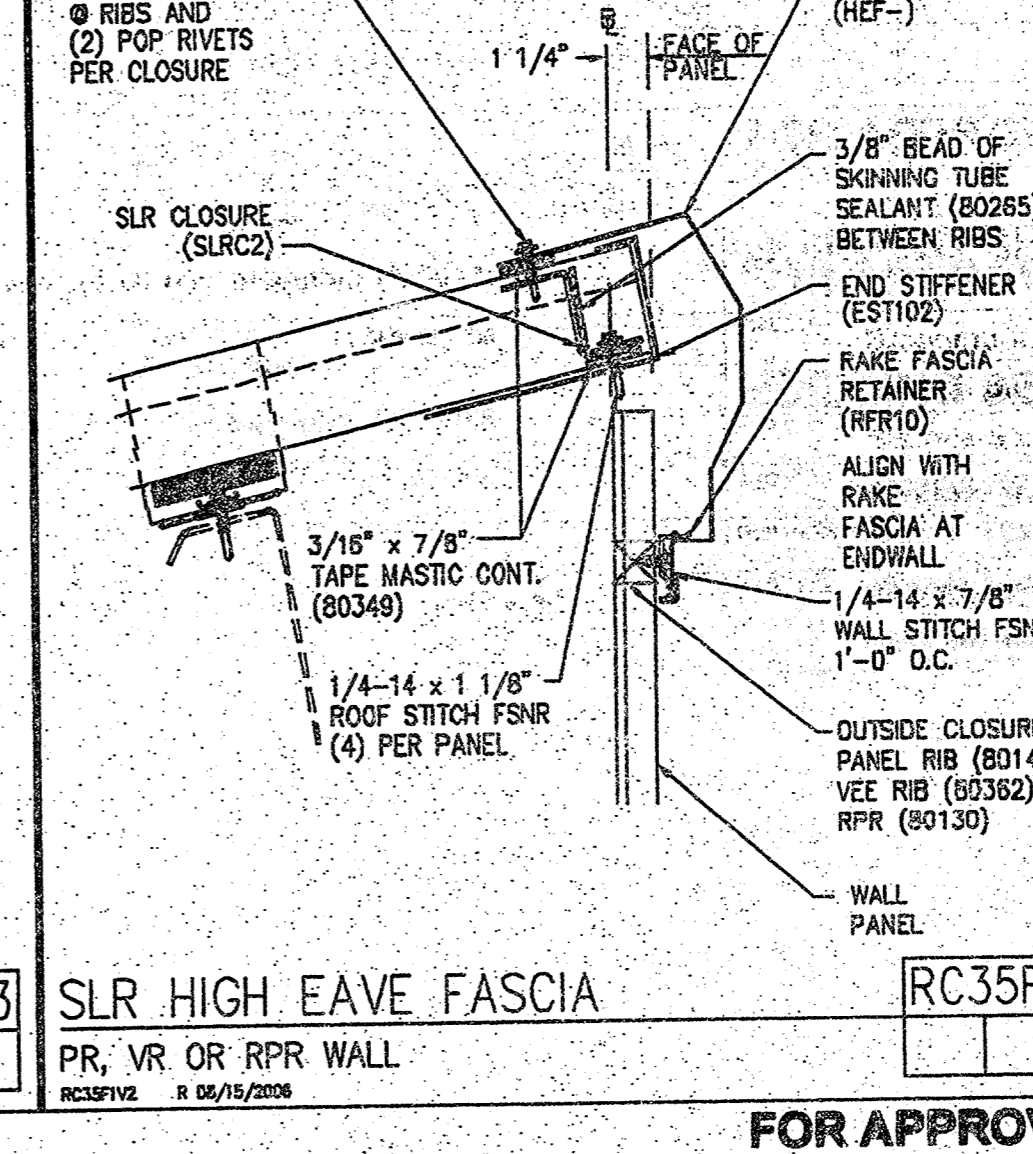
SLR PANEL AT WALL TO ROOF



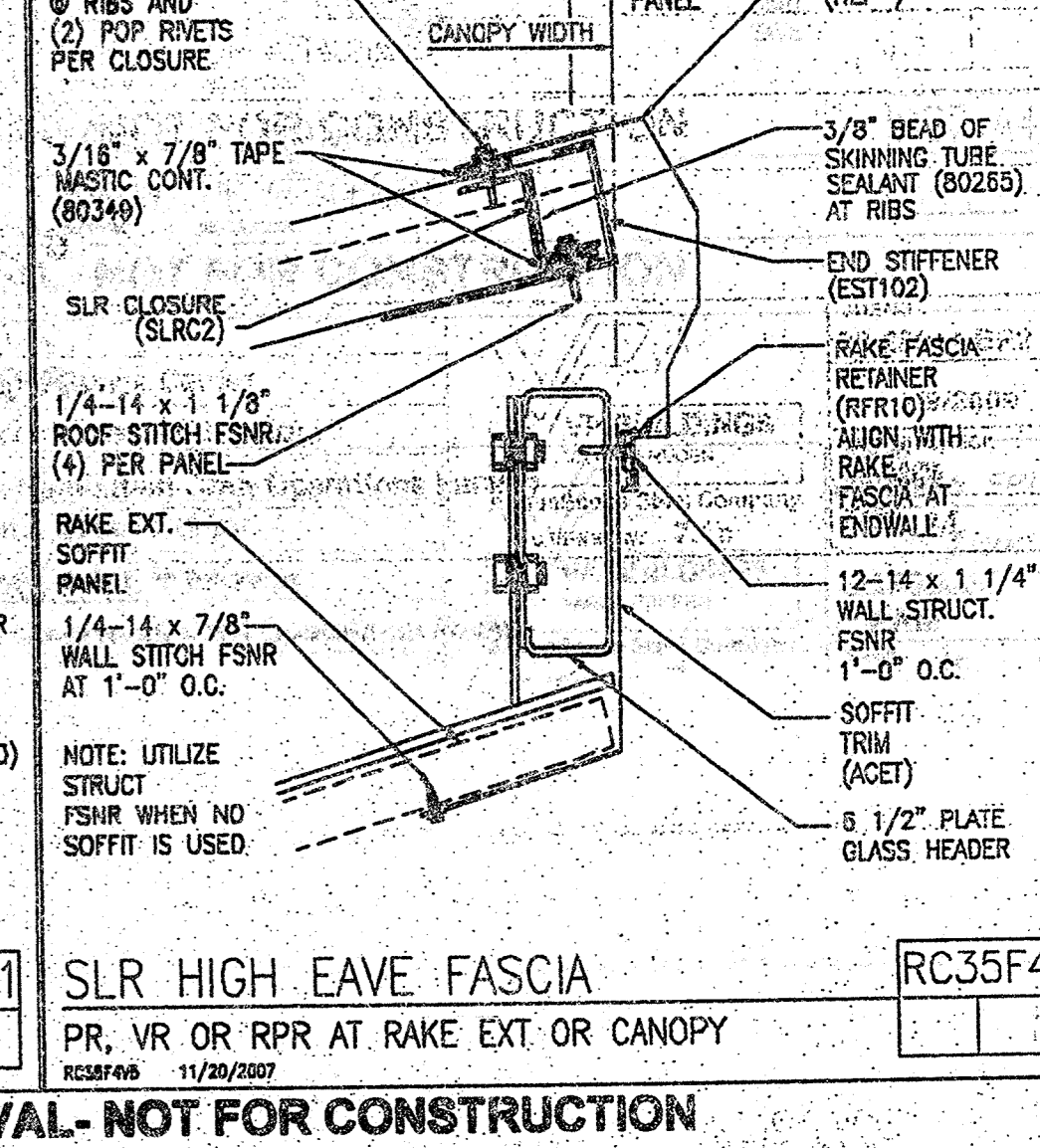
SLR RAKE TRIM WITH SOFFIT



SLR RIDGE COVER



SLR HIGH EAVE FASCIA



SLR HIGH EAVE FASCIA

FOR APPROVAL - NOT FOR CONSTRUCTION

THE VP ENGINEER'S SEAL APPLIES ONLY TO THE WORK PRODUCT OF VP AND DESIGN AND PERFORMANCE REQUIREMENTS SPECIFIED BY VP. THE VP ENGINEER'S SEAL DOES NOT APPLY TO THE PERFORMANCE OR DESIGN OF ANY OTHER PRODUCT OR COMPONENT FURNISHED BY VP EXCEPT TO ANY DESIGN OR PERFORMANCE REQUIREMENTS SPECIFIED BY VP.

THIS DRAWING, INCLUDING THE INFORMATION HEREON, REMAINS THE PROPERTY OF VP BUILDINGS. IT IS PROVIDED SOLELY FOR ERECTING THE BUILDING DESCRIBED IN THE APPLICABLE PURCHASE ORDER AND SHALL NOT BE MODIFIED, REPRODUCED OR USED FOR ANY OTHER PURPOSE WITHOUT PRIOR WRITTEN APPROVAL OF VP BUILDINGS.

THE GENERAL CONTRACTOR AND/OR ERECTOR IS SOLELY RESPONSIBLE FOR ACCURATE, GOOD QUALITY WORKMANSHIP IN ERECTING THIS BUILDING IN CONFORMANCE WITH THIS DRAWING, DETAILS REFERENCED IN THIS DRAWING, ALL APPLICABLE VP ERECTION GUIDES, AND INDUSTRY STANDARDS PERTAINING TO PROPER BUILDING PRACTICES.

VP Buildings				BUILDING SED'S			
3200 Players Club Circle Memphis TN 38126				BROADMEOR, LLC			
REV	DATE	BY	DESCRIPTION	BUILDER	BROADMEOR, LLC		
				CUSTOMER	John P. Stennis Space Center		
				LOCATION	Stennis Space Center, Mississippi		
				PROJECT	Riverine and Combatant Craft Operations		
				VP BUILDINGS	VARCO PRUDEN		
				VP BUILDINGS	VARCO PRUDEN		
				JOBNO	09-28914 EPI		
				DATE	2/12/2009		
				DRAWN/CHECK	BMM/ML		
				DATE	AA		