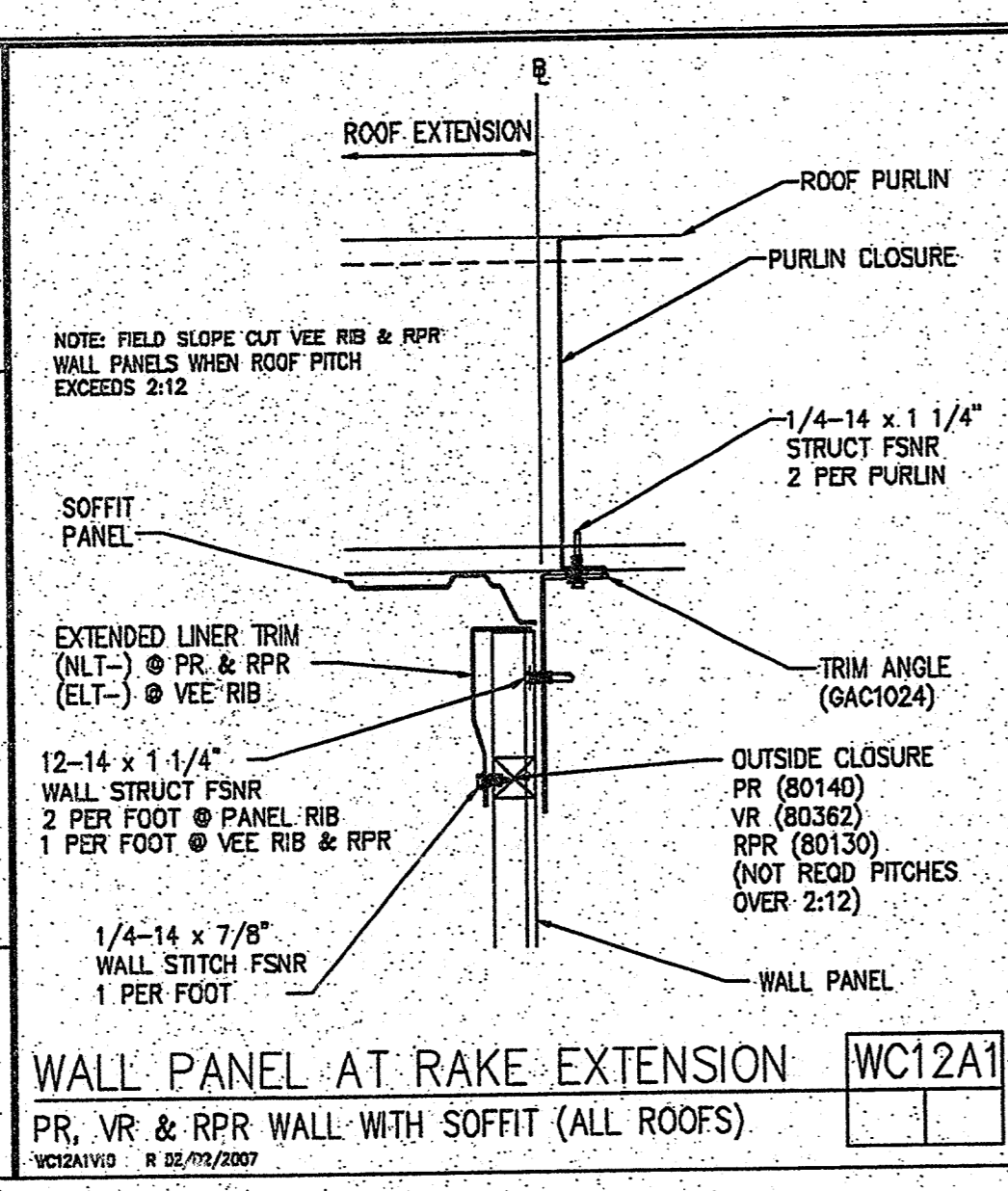
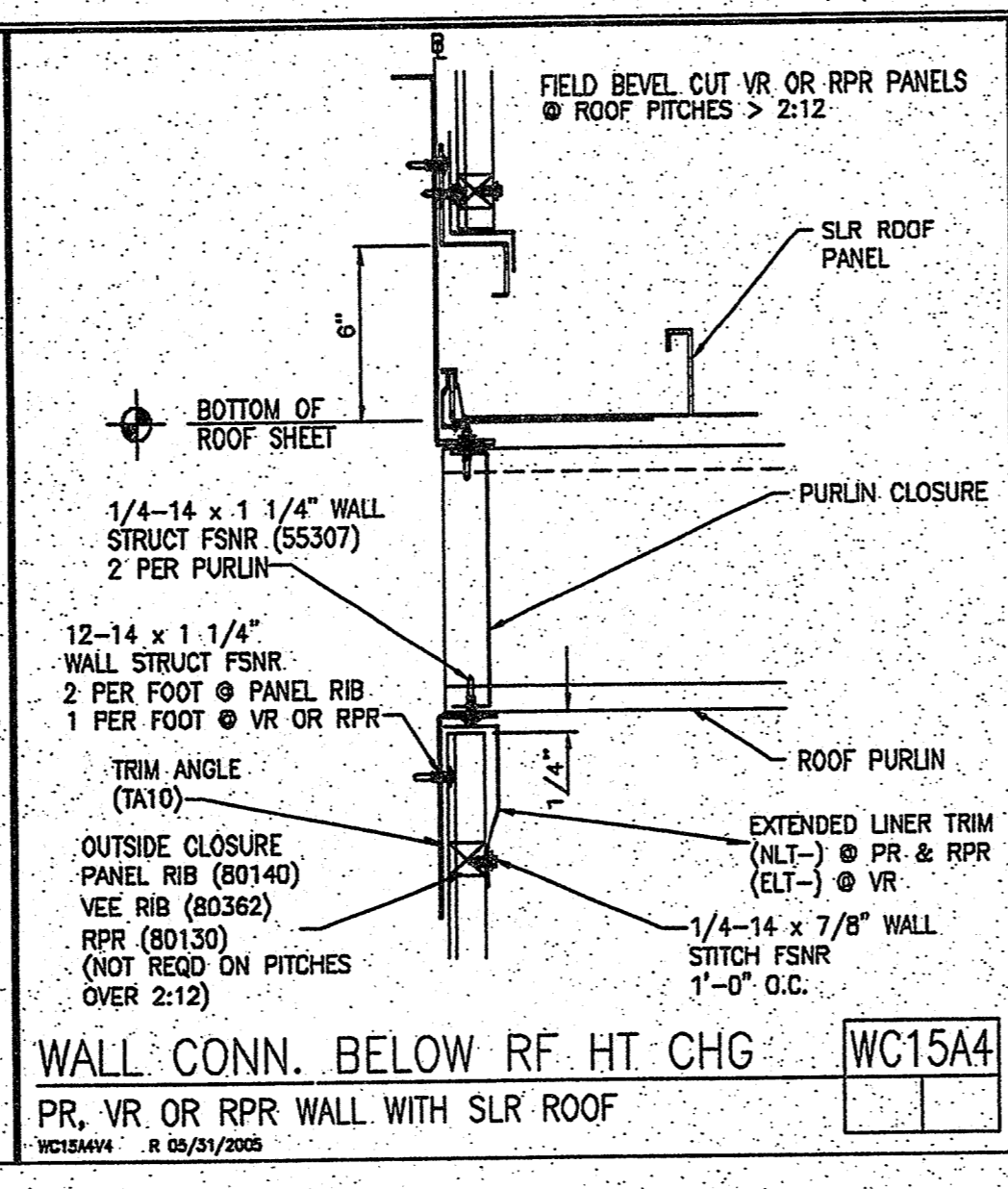


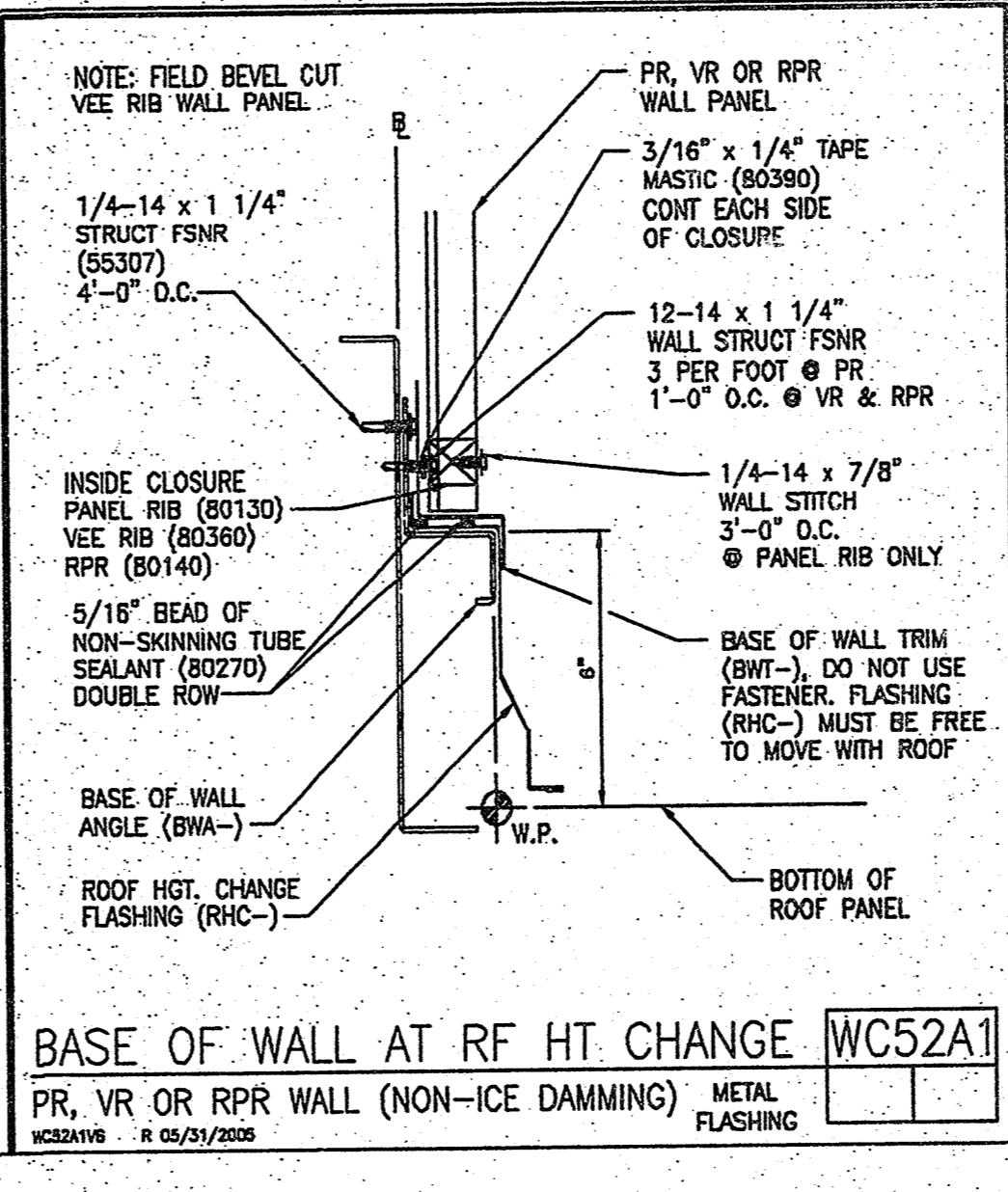
PR, VR & RPR WALL AT EAVE WC11A1  
 STANDARD EAVE PURLIN  
 R 07/31/2007



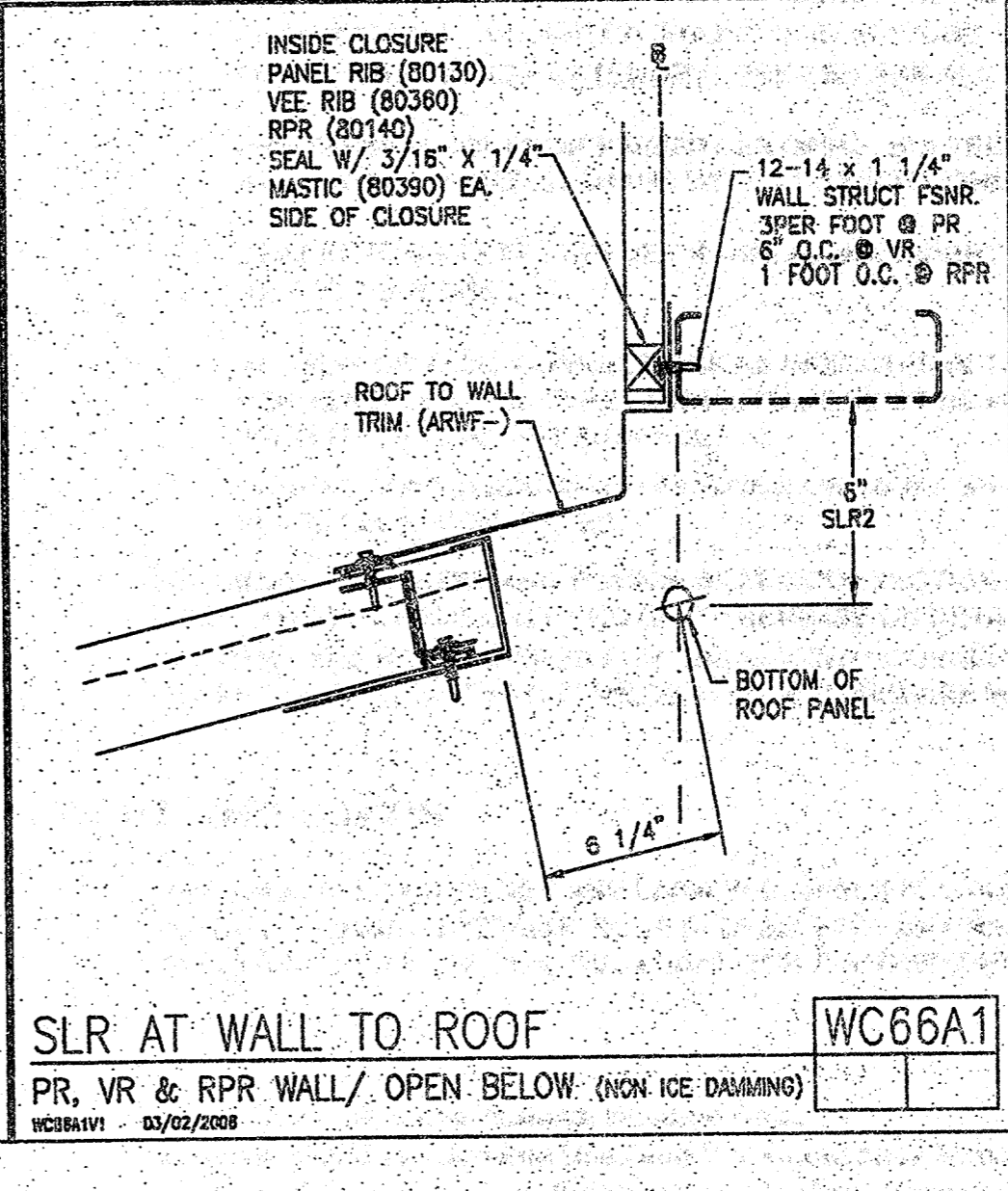
WALL PANEL AT RAKE EXTENSION WC12A1  
 PR, VR & RPR WALL WITH SOFFIT (ALL ROOFS)  
 R 02/07/2007



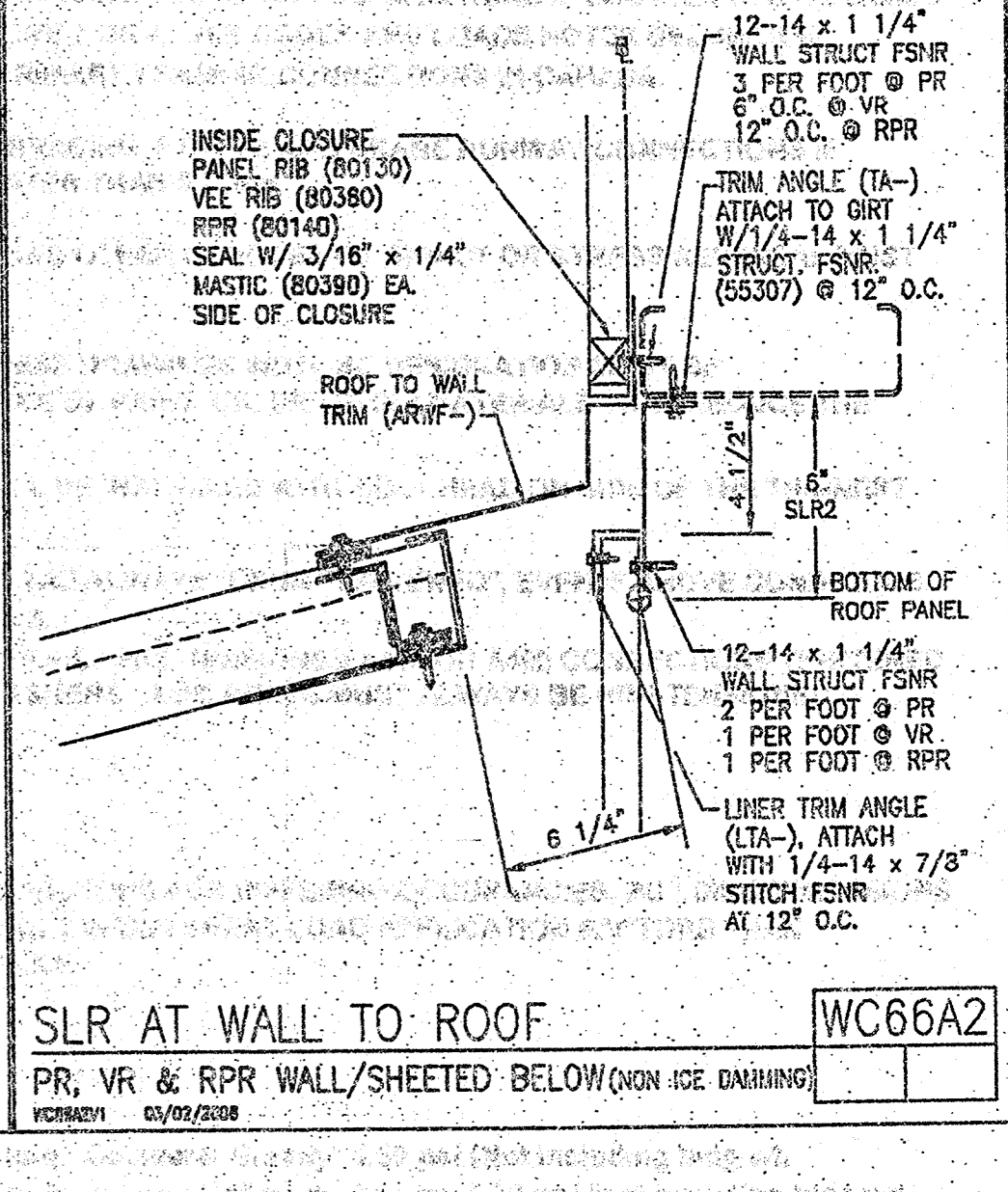
WALL CONN. BELOW RF HT CHG WC15A4  
 PR, VR OR RPR WALL WITH SLR ROOF  
 R 05/31/2005



BASE OF WALL AT RF HT CHANGE WC52A1  
 PR, VR OR RPR WALL (NON-ICE DAMMING) METAL FLASHING  
 R 05/31/2005



SLR AT WALL TO ROOF WC66A1  
 PR, VR & RPR WALL/ OPEN BELOW (NON ICE DAMMING)  
 R 05/02/2008



SLR AT WALL TO ROOF WC66A2  
 PR, VR & RPR WALL/SHEETED BELOW (NON ICE DAMMING)  
 R 05/02/2008

THIS DRAWING IS THE PROPERTY OF VP BUILDINGS. IT IS PROVIDED SOLELY FOR THE USE OF THE CONTRACTOR AND SHALL NOT BE REPRODUCED OR USED FOR ANY OTHER PURPOSE WITHOUT PRIOR WRITTEN APPROVAL OF VP BUILDINGS.

VP BUILDINGS  
 3200 Players Club Circle Memphis TN 38125

THE VP ENGINEER'S SEAL APPLIES ONLY TO THE WORK PRODUCT OF VP AND DESIGN AND PERFORMANCE REQUIREMENTS SPECIFIED BY VP. THE VP ENGINEER'S SEAL DOES NOT APPLY TO THE PERFORMANCE OR DESIGN OF ANY OTHER PRODUCT OR COMPONENT FURNISHED BY VP EXCEPT TO ANY DESIGN OR PERFORMANCE REQUIREMENTS SPECIFIED BY VP.

THIS DRAWING, INCLUDING THE INFORMATION HEREON, REMAINS THE PROPERTY OF VP BUILDINGS. IT IS PROVIDED SOLELY FOR THE USE OF THE CONTRACTOR AND SHALL NOT BE REPRODUCED OR USED FOR ANY OTHER PURPOSE WITHOUT PRIOR WRITTEN APPROVAL OF VP BUILDINGS.

THE GENERAL CONTRACTOR AND/OR ERECTOR IS SOLELY RESPONSIBLE FOR ACCURATE, GOOD QUALITY WORKMANSHIP IN ERECTING THIS BUILDING IN CONFORMANCE WITH THIS DRAWING, DETAILS REFERENCED IN THIS DRAWING, ALL APPLICABLE VP ERECTION GUIDES, AND INDUSTRY STANDARDS PERTAINING TO PROPER

VP Buildings			
3200 Players Club Circle Memphis TN 38125			
REV	DATE	BY	DESCRIPTION

BUILDING SED'S	
BUILDER	Broadmoor, LLC
CUSTOMER	John F. Stennis Space Center
LOCATION	Stennis Space Center, Mississippi
PROJECT	Riverline and Constant Craft Operations Facility

JOBNO	08-28916 EPI
DATE	2/12/2009
DRAWN/CHECK	BVW/B

FOR APPROVAL - NOT FOR CONSTRUCTION

