

Part Mark Key

1	P332
2	P332 (Typ.)
3	P329
4	P329 (Typ.)
5	GCE052060

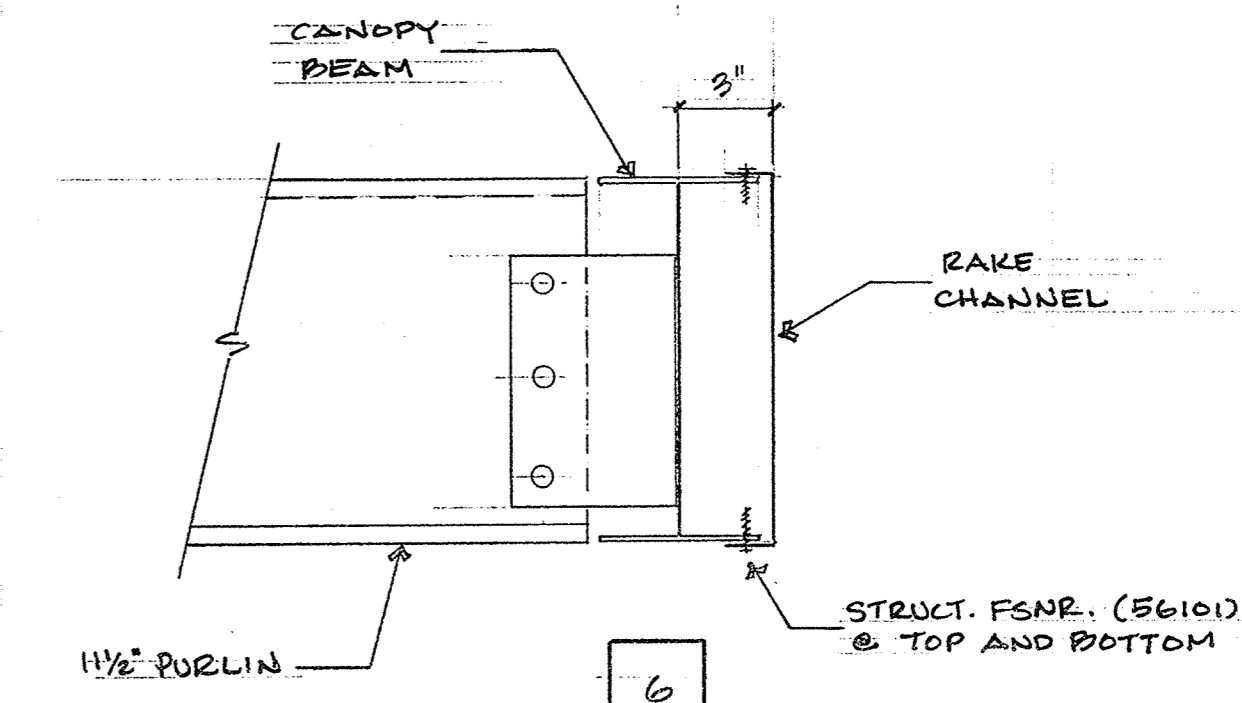
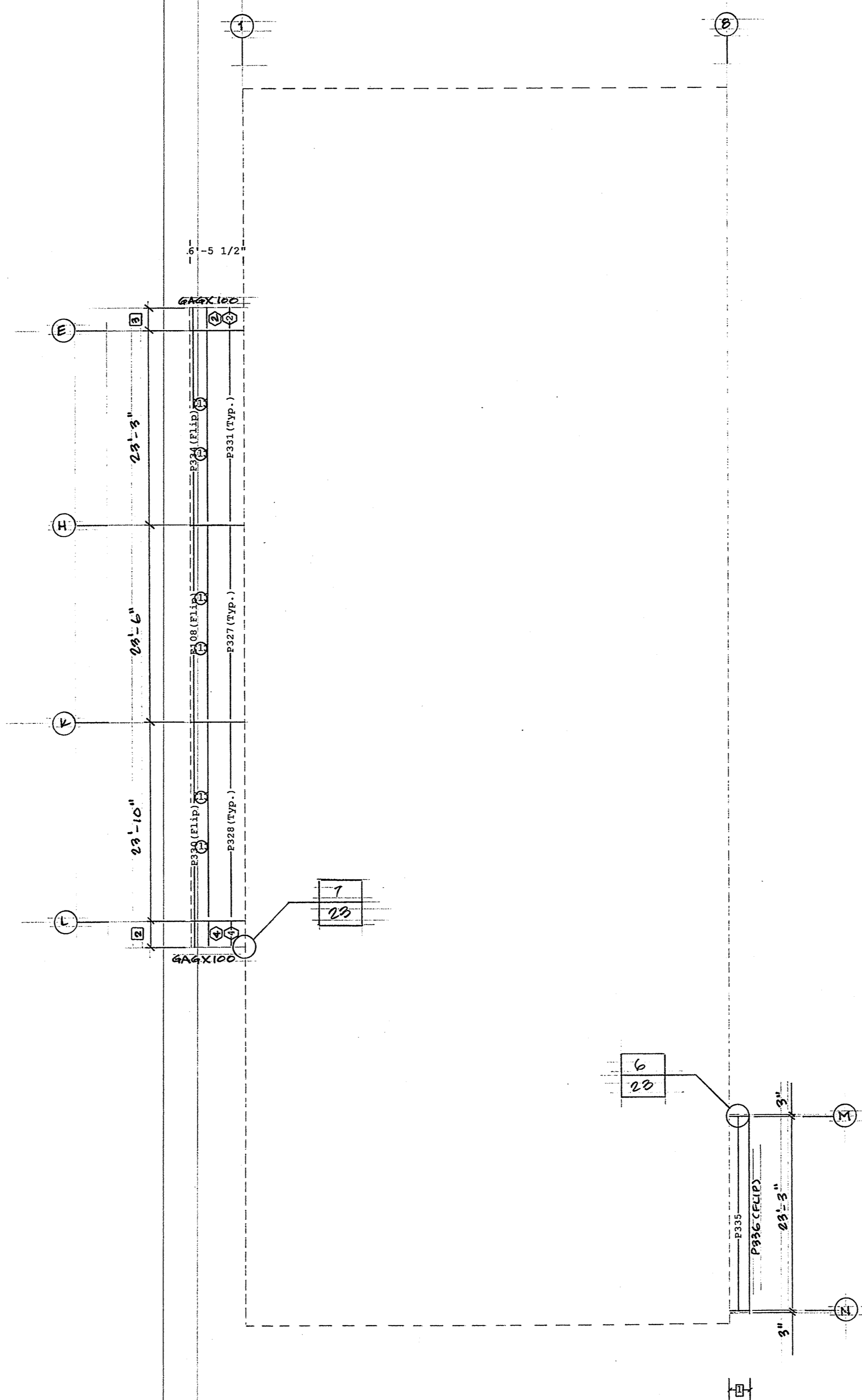
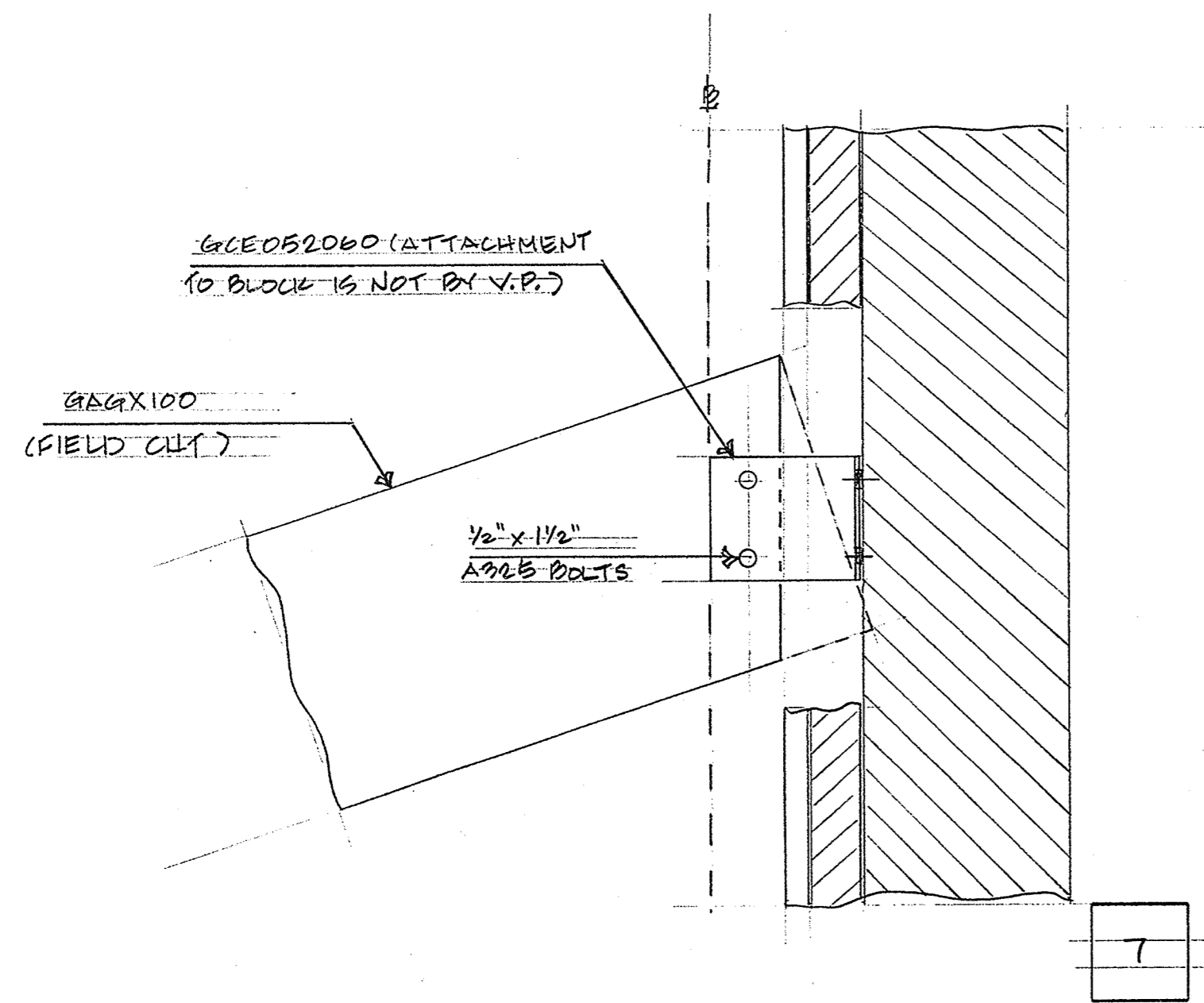
Secondary Part Schedule

Mark	Part	Thick.	Depth	Lap
E108	01S2305414	0.0820	11 1/2"	
P327	01S2300411	0.1200	11 1/2"	
P328	01S2304411	0.1200	11 1/2"	
P329	01S0211016	0.0650	11 1/2"	
P330	021S2611411	0.1200	11 1/2"	
P331	01S2209411	0.1200	11 1/2"	
P332	01S0205416	0.0650	11 1/2"	
P334	022S2511011	0.1200	11 1/2"	
P335	01S2209414	0.0820	11 1/2"	
P336	024S2308414	0.0620	11 1/2"	

Sag Angle Schedule

Id	Qty	Mark No	Spacing
1	12	SA2014(X-ing)	1'-10 3/16"

See SED: BR09A5 for installation of X-ing



Dimension Key

3	2'-6 1/2"
2	3'-2"
1	2'-5 1/2"

1. UNLESS NOTED, USE 1/2 X 1 1/2 A-325 SNUG TIGHTENED BOLTS FOR PURLIN LAP, PURLIN TO FRAME, FLANGE BRACE TO FRAME, AND FLANGE BRACE TO PURLIN CONNECTIONS.
 2. WIND, FLANGE, AND PURLIN BRACING ARE AN INTEGRAL PART OF THE ROOF STRUCTURAL SYSTEM AND SHOULD BE PROPERLY INSTALLED PRIOR TO ERECTION OF WALL AND ROOF SHEETS. REMOVAL OR ALTERATION OF ROOF BRACING WITHOUT PRIOR AUTHORIZATION IS PROHIBITED.

THE VP ENGINEER'S SEAL APPLIES ONLY TO THE WORK PRODUCT OF VP AND DESIGN AND PERFORMANCE REQUIREMENTS SPECIFIED BY VP. THE VP ENGINEER'S SEAL DOES NOT APPLY TO THE PERFORMANCE OR DESIGN OF ANY OTHER PRODUCT OR COMPONENT FURNISHED BY VP EXCEPT TO ANY DESIGN OR PERFORMANCE REQUIREMENTS SPECIFIED BY VP.

THIS DRAWING, INCLUDING THE INFORMATION HEREON, REMAINS THE PROPERTY OF VP BUILDINGS. IT IS PROVIDED SOLELY FOR ERECTING THE BUILDING DESCRIBED IN THE APPLICABLE PURCHASE ORDER AND SHALL NOT BE MODIFIED, REPRODUCED OR USED FOR ANY OTHER PURPOSE WITHOUT PRIOR WRITTEN APPROVAL OF VP BUILDINGS.
 THE GENERAL CONTRACTOR AND/OR ERECTOR IS SOLELY RESPONSIBLE FOR ACCURATE, GOOD QUALITY WORKMANSHIP IN ERECTING THIS BUILDING IN CONFORMANCE WITH THIS DRAWING, DETAILS REFERENCED IN THIS DRAWING, ALL APPLICABLE VP ERECTION GUIDES, AND INDUSTRY STANDARDS PERTAINING TO PROPER ERECTION, INCLUDING THE CORRECT USE OF TEMPORARY BRACING.

VP Buildings			
REV	DATE	BY	DESCRIPTION

CANOPY SECONDARY PLAN		JOB NO	
BUILDER	BroadDoor, LLC	08-23814 EP1	
CUSTOMER	John F. Stennis Space Center	DATE	18 APR 09
LOCATION	Stennis Space Center, Mississippi	DRAWN/CHECK	PCD
PROJECT	Riverine and Combatant Craft Operations Facility	PAGE	03 OF 03
BUILDERS PO#			

