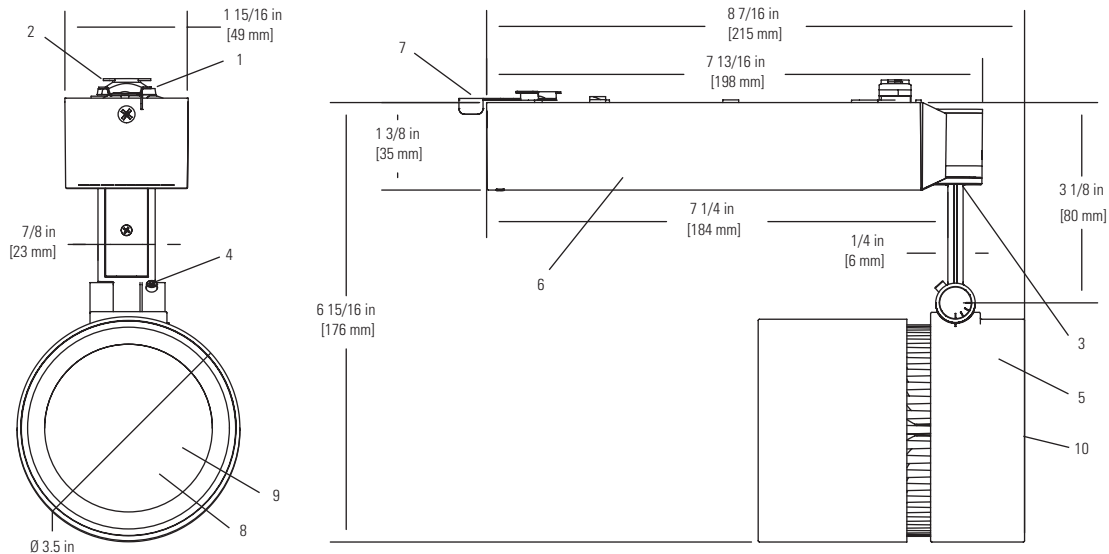


Lytespan Alcyon LED Medium Cylinder



Features

- 1. Track attachment fitting:** For mechanical/electrical connection.
- 2. Brass contact:** Extends for connection to second circuit (Advent track only).
- 3. Horizontal pivot:** Wireless stem profile with 365° horizontal rotation.
- 4. Vertical pivot:** 0-90° vertical adjustment with aiming indicator.
- 5. Heat sink:** Die-cast aluminum maintains LED junction temperature for minimum 50,000 hr lifetime at 70% lumen maintenance
- 6. Driver housing:** Molded Polycarbonate
- 7. Safety locking lever:** Locks driver housing to track
- 8. Interchangeable optics:** Sold Separately.
Refer to Spec Sheet LLA11R Series.
- 9. Led board:** Metal core board. 9 tightly packed high brightness White LED's.
- 10. Synjet:** Integrated active cooling solution used to aid in the thermal management of the heatsink.

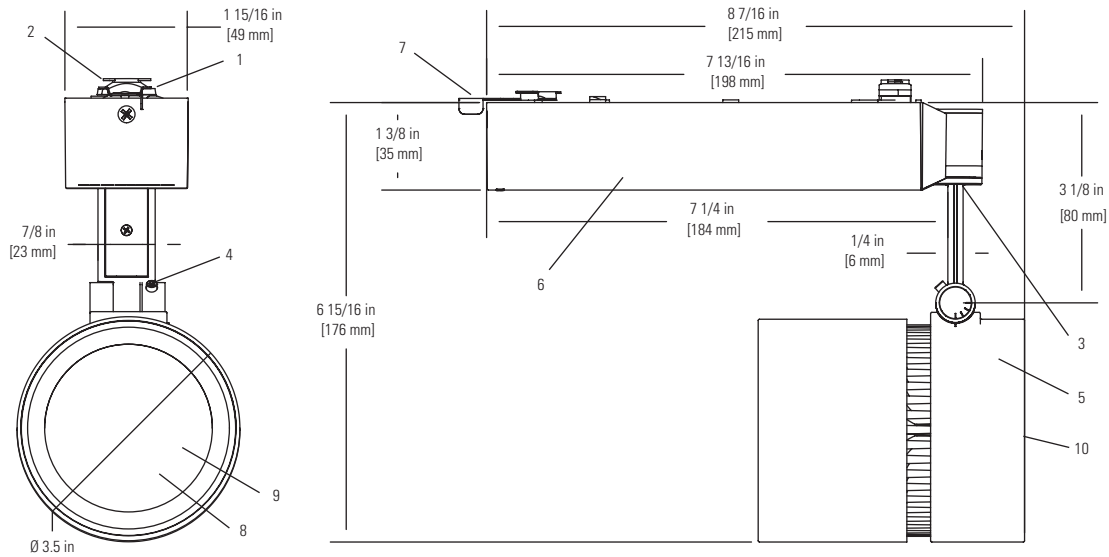
Ordering Information

Cat. No.	Finish	Description	CCT	CRI
LLA1130WH	White	Dimmable	3000K	83
LLA1130BK	Black			
LLA1130AL	Aluminum			
LLA11ND30WH	White	Non-Dimmable		
LLA11ND30BK	Black			
LLA11ND30AL	Aluminum			

Cat. No.	Finish	Description	CCT	CRI
LLA1127WH	White	Dimmable	2700K	83
LLA1127BK	Black			
LLA1127AL	Aluminum			
LLA11ND27WH	White	Non-Dimmable		
LLA11ND27BK	Black			
LLA11ND27AL	Aluminum			

Job Information	Type:
Job Name:	
Cat. No.:	
Notes:	

Lytespan Alcyon LED Medium Cylinder



Accessories

Accessory Holder (When using two accessories)

- LLA11AHWH Double Accessory Holder White
- LLA11AHBK Double Accessory Holder Black

Snoot

- LLA11SNWH Snoot 3.17" dia white
- LLA11SNBK Snoot 3.17" dia black

Louver

- LLAHCA11 Hex Cell Louver**

Diffusion/Special Filters

- LLA11AFSY Symmetrical Spread
- LLA11AFSF Solite Soft Focus

Mounting

For use with Lytespan Radius, Basic and Advent Track. Not compatible with extension wands or slope ceiling adapters. For monopoint applications refer to spec sheets 6173.

Finish

All Painted finishes are baked enamel. Back of heatsink is black on BK & AL.

Reflector Options

Ordered Separately. Field Changeable.

- LLA11RS** Spot Ref
- LLA11RNF** Narrow Flood Ref
- LLA11RF** Flood Ref
- LLA11RSSOL** Spot Ref (Includes Solite)
- LLA11RNF SOL** Narrow Flood Ref (Includes Solite)
- LLA11RFSOL** Flood Ref (Includes Solite)

Electrical

Electronic power supply input voltage: 120V, 50/60 Hz
 Input power: 23W Efficacy: Approximately 49 lm/w
 High power factor >0.9 ELV dimming available

Dimming

Lightolier Controls: ZP425QE
 Lutron Skylark: SELV-300P-WH
 Leviton Decora: IPE04-ILX

Labels

c.U.L.u.s. listed. 5 year warranty,
 DLC compliant.

Job Information	Type:
------------------------	--------------

Lytespan Alcyon LED Medium Cylinder

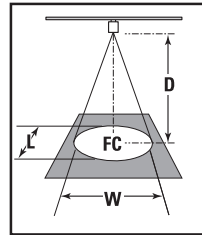
Aiming Angle:

L Beam length **D** Distance
W Beam Width **A** Aiming Angle
C Distance to center beam **FC** Footcandles

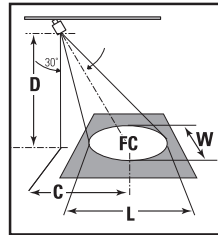
L and **W** are the outer points where the candle power drops to 50% of the maximum. **FC** are the initial footcandles at the center of the beam. Data shown is for 3000K, for 2700K multiply FC by 0.91.

CBCP = Center Beam Candle Power.

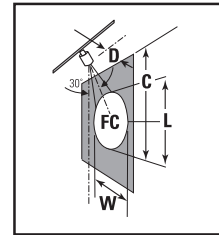
0°



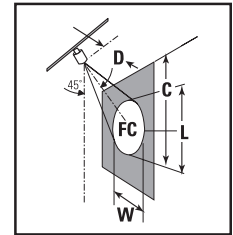
30° Horizontal



60° Vertical



45° Vertical



	Beam Spread (To 50% CBCP)	CBCP	Rated Life (Hrs.)	0°				30° Horizontal					60° Vertical					45° Vertical				
				D	FC	L	W	D	C	FC	L	W	D	C	FC	L	W	D	C	FC	L	W
LLA11RS w/Solite Lens		3,911	50,000	6	109	2.7'	2.7'	5'	2.9'	102	3.0'	2.6'	2'	3.5'	122	4.2'	1.8'	2'	2.0'	346	1.9'	1.3'
				7	80	3.1'	3.1'	6'	3.5'	71	3.6'	3.1'	3'	5.2'	54	6.2'	2.7'	3'	3.0'	154	2.8'	1.9'
				8	61	3.5'	3.5'	7'	4.0'	52	4.2'	3.6'	4'	6.9'	31	8.3'	3.5'	4'	4.0'	86	3.7'	2.5'
				9	48	4.0'	4.0'	8'	4.6'	40	4.8'	4.1'	5'	8.7'	20	10.4'	4.4'	5'	5.0'	55	4.7'	3.1'
LLA11RNF w/Solite Lens		3,520	50,000	5	141	2.4'	2.4'	5'	2.9'	91	3.3'	2.8'	2'	3.5'	110	4.6'	1.9'	2'	2.0'	311	2.0'	1.4'
				6	98	2.9'	2.9'	6'	3.5'	64	3.9'	3.3'	3'	5.2'	49	7.0'	2.9'	3'	3.0'	138	3.1'	2.0'
				7	72	3.4'	3.4'	7'	4.0'	47	4.6'	3.9'	4'	6.9'	28	9.3'	3.8'	4'	4.0'	78	4.1'	2.7'
				8	55	3.8'	3.8'	8'	4.6'	36	5.2'	4.4'	6'	10.4'	12	13.9'	5.8'	6'	6.0'	35	6.1'	4.1'
LLA11RF w/Solite Lens		2,366	50,000	5	95	3.2'	3.2'	5'	2.9'	61	4.5'	3.8'	2'	2.6'	131	5.7'	1.9'	2'	2.0'	209	2.9'	1.8'
				6	66	3.9'	3.9'	6'	3.5'	43	5.4'	4.5'	2'	3.5'	74	7.6'	2.6'	3'	3.0'	93	4.4'	2.8'
				7	48	4.5'	4.5'	7'	4.0'	31	6.3'	5.3'	3'	5.2'	33	11.4'	3.9'	4'	4.0'	52	5.8'	3.7'
				8	37	5.2'	5.2'	8'	4.6'	24	7.2'	6.0'	4'	6.9'	18	15.2'	5.2'	6'	6.0'	23	8.7'	5.5'
LLA11RS w/Clear Lens		5,740	50,000	6	159	2.1'	2.1'	6'	3.5'	104	2.9'	2.4'	2'	3.5'	179	3.1'	1.4'	3'	3.0'	225	2.2'	1.5'
				7	117	2.5'	2.5'	7'	4.0'	76	3.3'	2.9'	3'	5.2'	80	4.7'	2.1'	4'	4.0'	127	2.9'	2.0'
				8	90	2.8'	2.8'	8'	4.6'	58	3.8'	3.3'	4'	6.9'	45	6.2'	2.8'	5'	5.0'	81	3.6'	2.5'
				9	71	3.2'	3.2'	9'	5.2'	46	4.3'	3.7'	5'	8.7'	29	7.8'	3.5'	6'	6.0'	56	4.4'	3.0'
LLA11RNF w/Clear Lens		4,605	50,000	5	128	2.7'	2.7'	6'	3.5'	83	3.6'	3.1'	2'	3.5'	144	4.2'	1.8'	2'	2.0'	407	1.9'	1.3'
				6	94	3.1'	3.1'	7'	4.0'	61	4.2'	3.6'	3'	5.2'	64	6.2'	2.7'	3'	3.0'	181	2.8'	1.9'
				7	72	3.5'	3.5'	8'	4.6'	47	4.8'	4.1'	4'	6.9'	36	8.3'	3.5'	4'	4.0'	102	3.7'	2.5'
				8	57	4.0'	4.0'	9'	5.2'	37	5.4'	4.6'	6'	10.4'	16	12.5'	5.3'	6'	6.0'	45	5.6'	3.8'
LLA11RF w/Clear Lens		2,565	50,000	5	71	3.8'	3.8'	6'	3.5'	46	5.2'	4.4'	2'	2.6'	143	5.4'	1.9'	2'	2.0'	227	2.8'	1.8'
				6	52	4.4'	4.4'	7'	4.0'	34	6.1'	5.1'	2'	3.5'	80	7.2'	2.5'	3'	3.0'	101	4.2'	2.7'
				7	40	5.0'	5.0'	8'	4.6'	26	7.0'	5.8'	3'	5.2'	36	10.8'	3.8'	4'	4.0'	57	5.6'	3.6'
				8	32	5.7'	5.7'	9'	5.2'	21	7.8'	6.6'	4'	6.9'	20	14.4'	5.0'	6'	6.0'	25	8.4'	5.4'

Photometric performance:

Tested in accordance to IESNA LM79-2008



Philips Lightolier
 e: lol.webmaster@philips.com
 t: (508) 679-8131
 w: www.lightolier.com

LLA11 August 1, 2011

Specifications are subject to change without notice.
 © Koninklijke Philips Electronics N.V., 2010. All rights reserved.

Job Information Type: