

- Complies with American National Standard Z358.1-2009
- Deck-Mount or Wall-Mount Units with Locking Mechanism
- Chrome-Plated Brass Pipe and Fittings
- Universal Sign and Inspection Tag Included
- Full, One-Year Warranty



Specifications

Unit design saves space and fits easily into any work environment. Eye and eye/face wash units operate quickly by pulling swing arm down 90° over sink. Deck-mount or wall-mount design available, both with locking mechanism. Safe, steady water flow under varying water supply conditions from 30–90 PSI is assured by integral flow control in the shank. (S19-270HD and S19-270HW only). Eye/face wash sprayheads contain an antimicrobial agent to protect the sprayheads (S19-270JD and S19-270JW only).

cUPC Approved:

The Emergency Fixtures are certified to comply with the requirements of the Uniform Plumbing Code and the National Plumbing Code of Canada by the International Association of Plumbing and Mechanical Officials (IAPMO).

- ANSI Z358.1 compliant drench showers are mounted between 82"–96" from the lower edge of the showerhead or shroud to the floor.*
- This plumbing fixture is not intended to dispense water for human consumption through drinking or for preparation of food or beverages.*

Standard Equipment

Eyewash Sprayhead Assembly

Chrome-plated brass sprayhead assembly with twin soft-flow eyewash heads and protective sprayhead covers. The integral flow control assures safe, steady flow under varying water supply conditions from 30–90 PSI. (S19-270HD and S19-270HW).

Eye/Face Wash Sprayhead Assembly

Twin perforated-disc eye/face wash heads with protective sprayhead covers. Gentle spray bathes eyes and face (S19-270JD and S19-270JW).

Valve

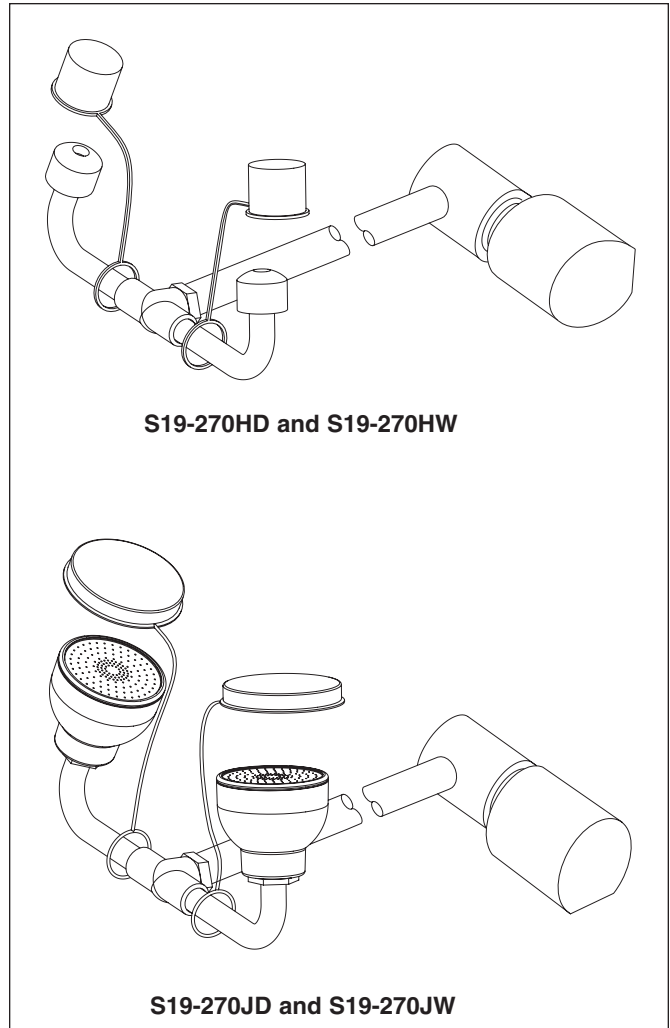
Chrome-plated brass ½" NPT stay-open valve. Water flow is activated by pulling swing arm down 90°. Water will continue to flow until arm is returned to original position.

Pipe and Fittings

Chrome-plated brass.

Water Supply

½" NPT.



S19-270HD and S19-270HW

S19-270JD and S19-270JW

Recommended Option:

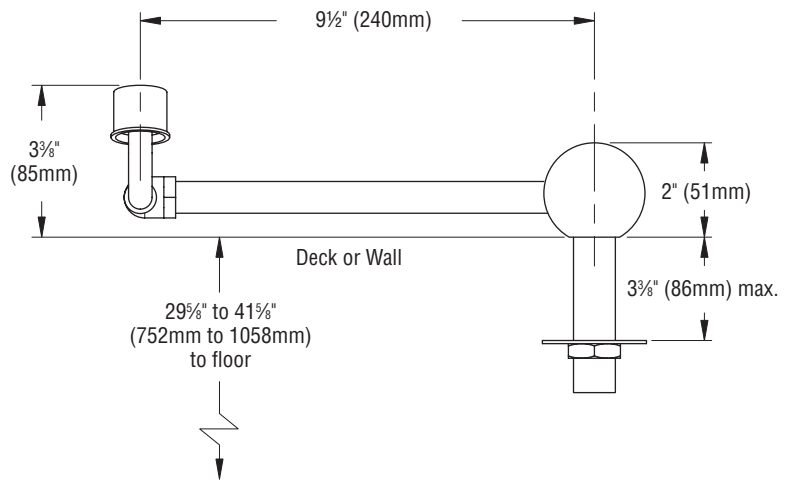
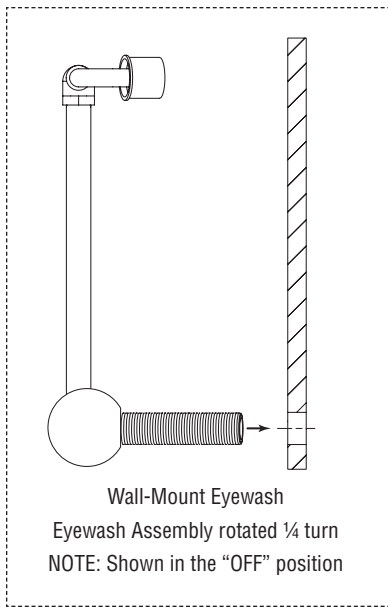
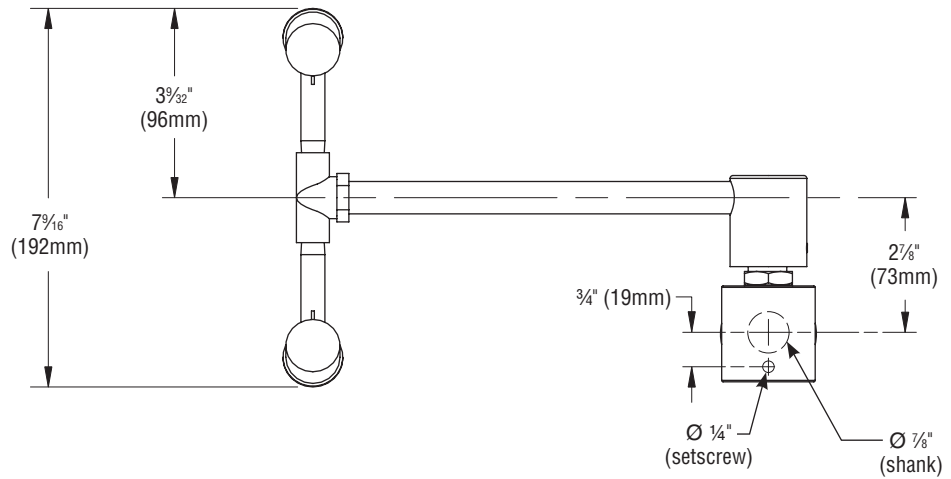
Navigator S19-2000 EFX8
Emergency Thermostatic Mixing Valve

NAVIGATOR

Satisfies ANSI Z358.1-2009
tepid water requirements.

Model	Description
<input type="checkbox"/> S19-270HD	Deck-Mount Swing-Down Eyewash Unit
<input type="checkbox"/> S19-270HW	Wall-Mount Swing-Down Eyewash Unit
<input type="checkbox"/> S19-270JD	Deck-Mount Swing-Down Eye/Face Wash Unit
<input type="checkbox"/> S19-270JW	Wall-Mount Swing-Down Eye/Face Wash Unit
<input type="checkbox"/> S19-2000	Navigator EFX8 - Emergency Thermostatic Mixing Valve

S19-270HD and S19-270HW



S19-270JD and S19-270JW

