

**DAMMON ENGINEERING, INC.**

CHIEF ENGINEER  
EMMETT  
DAMMON, P.E.

CHIEF ARCHITECT  
ROBERT  
WILTSE

1095 FLORIDA AVENUE  
SLIDELL, LA. 70458  
OFFICE: 985-649-5832  
FAX: 985-641-5950

WEBSITE:  
WWW.DAMMONENGINEERING.COM

EMAIL:  
DAMMONENG@BELLSOUTH.NET

- ARCHITECTURE
- ENGINEERING
- STUDIES
- PLANNING
- INVESTIGATION
- EXPERT WITNESS

SOUTHEAST  
LOUISIANA  
VETERAN'S  
HEALTH CARE  
SYSTEM

UNIT B  
ELECTRICAL  
SCHEDULES  
& DIAGRAM

REV:

SCALE: AS NOTED

JOB#: 2009

DATE: 02-03-09

SHEET 13

**E-3**

OF 14

PANEL: MDP  
LOCATION: SOUTHEAST LOUISIANA VETERAN'S HEALTH CARE UNIT B  
FEEDER SOURCE: CLECO

VOLTAGE: 208/120V, 600A 3Ø, 4W  
ENCLOSURE: SURFACE MOUNTED W/EQUIPMENT GND BAR  
W-SHUT TRIP BRK. 22000 AIC

CKT. NO.	THHN WIRE SIZE	LOAD DESCRIPTION		BREAKER		LOAD (VA)	A B C	LOAD (VA)	BREAKER		LOAD DESCRIPTION		THHN WIRE SIZE	CKT. NO.
		LOCATION	AMP	POLE	POLE				AMP	LOCATION	AMP	POLE		
1	#6	AHU #1	60	3	16000			16000	3	60	AHU #2	#6	2	
3	#6	15 KW									15 KW		4	
5	#6												6	
7	#2	LP-1	125	3	35750			35750	3	125	LP-2	#2	8	
9	#2												10	
11	#2												12	
13	-	V. V. T. TRANSFORMER	30	1	-			-	1	30	V. V. T. TRANSFORMER	-	14	
15	-	V. V. T. TRANSFORMER	30	1	-			-	1	30	V. V. T. TRANSFORMER	-	16	
17	-	V. V. T. TRANSFORMER	30	1	-			-	1	30	V. V. T. TRANSFORMER	-	18	
19	-	SPARE TRANSFORMER CIRCUIT	30	1	-								20	
21	#8	ROOFTOP A/C UNIT (MINIMATE2)	40	1	-			9000	2	30	WATER HEATER 50 GAL	#10	22	
23	#12	EXTERIOR WEATHER-PROOF GFI RECEPTACLES	20	1	960			-	1	20	PUSH-BUTTON JUNCTION BOX	#12	24	
25	#12	ROOM 100 RECEPTACLES	20	1	960			960	1	20	ROOM 101 RECEPTACLES	#12	26	
27	#12	ROOM 102 REFRIGERATOR RECEPTACLE	20	1	960			960	1	20	ROOM 102 FREEZER RECEPTACLE	#12	28	
29	#12	ROOM 102 CENTRIFUGE RECEPTACLE	20	1	960			960	1	20	ROOMS 103, 104, HALL 105, & ROOM 109 RECEPTACLES	#12	30	
31	#12	RESTROOMS 106, 107, ROOMS 109 & 110 GFI RECEPTACLES	20	1	960			960	1	20	CORRIDOR 108 & ROOM 151 RECEPTACLES	#12	32	
33	#12	ROOMS 110, 111, & 112 RECEPTACLES	20	1	960			960	1	20	ROOM 112, ROOM 113, & AREA 114 RECEPTACLES	#12	34	
35	#12	CORRIDOR 115 & ROOM 116 RECEPTACLES	20	1	960			960	1	20	ROOM 117 RECEPTACLES	#12	36	
37	#12	ROOM 118, VESTIBULE 119, & ROOM 120 RECEPTACLES	20	1	960			-	-	-	SPACE	-	38	
39	-	SPACE	-	-	-			-	-	-	SPACE	-	40	
41	-	SPACE	-	-	-			-	-	-	SPACE	-	42	
						TOTAL CONNECTED LOAD (VA)=762,399								
SOLID NEUTRAL NEUTRAL WIRE (W)						A# = - B# = - C# = -			GROUND BUS GROUND WIRE (G)					

PANEL: LP-2  
LOCATION: SOUTHEAST LOUISIANA VETERAN'S HEALTH CARE UNIT B  
FEEDER SOURCE: CLECO

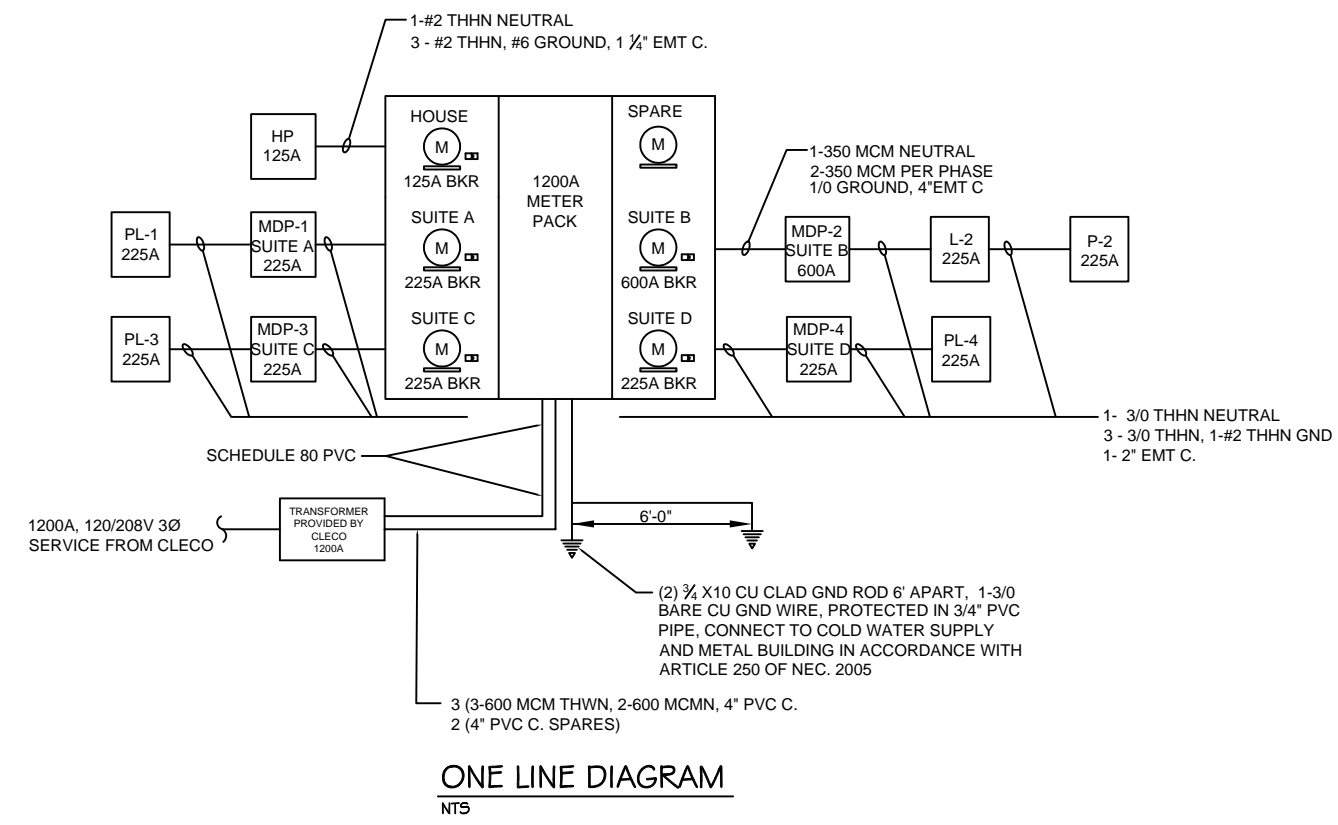
VOLTAGE: 208/120V, 125A 3Ø, 4W MLO  
ENCLOSURE: SURFACE MOUNTED W/EQUIPMENT GND BAR  
BOLTON BRK 22000 AIC

CKT. NO.	THHN WIRE SIZE	LOAD DESCRIPTION		BREAKER		LOAD (VA)	A B C	LOAD (VA)	BREAKER		LOAD DESCRIPTION		THHN WIRE SIZE	CKT. NO.
		LOCATION	AMP	POLE	POLE				AMP	LOCATION	AMP	POLE		
1	#12	ROOMS 101, 102, & 103 LIGHTS	20	1	1200			1200	1	20	CLOSET 104, RESTROOMS 106 & 107 LIGHTS	#12	2	
3	#12	HALL 105 & CORRIDOR 108 LIGHTS	20	1	1200			1200	1	20	ROOMS 109, 110, & 111 LIGHTS	#12	4	
5	#12	ROOMS 112, 113, & 114 LIGHTS	20	1	1200			1200	1	20	CORRIDOR 115 LIGHTS	#12	6	
7	#12	ROOMS 116 & 117 2x4 LIGHTS	20	1	1200			1200	1	20	ROOM 117 - 8 FT. LIGHTS	#12	8	
9	#12	ROOMS 118 & 120 LIGHTS	20	1	1200			1200	1	20	ROOMS 121, 122, & 123 LIGHTS	#12	10	
11	#12	ROOMS 124, 125, 126, 127, 128, & 129 LIGHTS	20	1	1200			1200	1	20	CORRIDOR 130 LIGHTS	#12	12	
13	#12	RESTROOMS 131 & 132 LIGHTS	20	1	1200			1200	1	20	ROOMS 133 & 134 LIGHTS	#12	14	
15	#12	ROOMS 135 & 136 - 2x4 LIGHTS	20	1	1200			1200	1	20	ROOM 136 RECESSED LIGHTS	#12	16	
17	#12	ROOMS 137 & 138 LIGHTS	20	1	1200			1200	1	20	CORRIDOR 139 LIGHTS	#12	18	
19	#12	ROOMS 140, 141, & 142 LIGHTS	20	1	1200			1200	1	20	ROOMS 143, 144, & 145 LIGHTS	#12	20	
21	#12	CORRIDOR 146 & VESTIBULE 119 LIGHTS	20	1	1200			1200	1	20	CORRIDOR 147 & SCALES AREA 148 LIGHTS	#12	22	
23	#12	ROOM 149 LIGHTS	20	1	1200			1200	1	20	ROOMS 150, 151, & 152 LIGHTS	#12	24	
25	#12	ROOMS 153, 154, & 155 LIGHTS	20	1	1200			1200	1	20	ROOMS 156 & 157 LIGHTS	#12	26	
27	#12	RESTROOMS 159, 160, & ROOM 161 LIGHTS	20	1	1200			200	1	20	EXIT LIGHTS	#12	28	
29	#12	EMERGENCY LIGHTS	20	1	200			200	1	20	EXTERIOR LIGHTS	#12	30	
31	#12	ATTIC LIGHTS	20	1	1200			-	1	20	SPARE	#12	32	
33	#12	SPARE	20	1				-	1	20	SPARE	#12	34	
35	#12	SPARE	20	1				-	1	20	SPARE	#12	36	
37	-	SPACE	-	-	-			-	-	-	SPACE	-	38	
39	-	SPACE	-	-	-			-	-	-	SPACE	-	40	
41	-	SPACE	-	-	-			-	-	-	SPACE	-	42	
						TOTAL CONNECTED LOAD (VA)								
SOLID NEUTRAL NEUTRAL WIRE (W)						A# = - B# = - C# = -			GROUND BUS GROUND WIRE (G)					

PANEL: LP-1  
LOCATION: SOUTHEAST LOUISIANA VETERAN'S HEALTH CARE UNIT B  
FEEDER SOURCE: CLECO

VOLTAGE: 208/120V, 125A 3Ø, 4W MLO  
ENCLOSURE: SURFACE MOUNTED W/EQUIPMENT GND BAR  
BOLTON BRK 22000 AIC

CKT. NO.	THHN WIRE SIZE	LOAD DESCRIPTION		BREAKER		LOAD (VA)	A B C	LOAD (VA)	BREAKER		LOAD DESCRIPTION		THHN WIRE SIZE	CKT. NO.
		LOCATION	AMP	POLE	POLE				AMP	LOCATION	AMP	POLE		
1	#12	ROOMS 121 & 122 RECEPTACLES	20	1	960			960	1	20	ROOM 121 MICROWAVE GFI RECEPTACLE	#12	2	
3	#12	ROOM 121 REFRIGERATOR RECEPTACLE	20	1	960			960	1	20	ROOMS 121, 126, & 128 GFI RECEPTACLES	#12	4	
5	#12	ROOMS 122, 123, 124, & 125 RECEPTACLES	20	1	960			960	1	20	ROOMS 127, 128, 129, CORR-DORS 130 & 139 RECEPTACLES	#12	6	
7	#12	RESTROOMS 131, 132, ROOMS 137, & 138 GFI RECEPTACLES	20	1	960			960	1	20	ROOMS 133 & 134 RECEPTACLES	#12	8	
9	#12	ROOMS 135 & 136 RECEPTACLES	20	1	960			960	1	20	ROOMS 137 & 138 RECEPTACLES	#12	10	
11	#12	ROOMS 140, 141, & 142 RECEPTACLES	20	1	960			960	1	20	ROOMS 143, 144, & 145 RECEPTACLES	#12	12	
13	#12	ROOMS 140, 141, 142, 143, & 144 GFI RECEPTACLES	20	1	960			960	1	20	CORRIDORS 146 & 147 RECEPTACLES	#12	14	
15	#12	SCALES RECEPTACLES	20	1	960			960	1	20	ROOMS 149 & 150 RECEPTACLES	#12	16	
17	#12	ROOMS 152 & 153 RECEPTACLES	20	1	960			960	1	20	ROOMS 154 & 155 RECEPTACLES	#12	18	
19	#12	ROOMS 156, 157, & ALCOVE 158 RECEPTACLES	20	1	960			960	1	20	WATER COOLER GFI RECEPTACLE	#12	20	
21	#12	ROOM 156, RESTROOMS 159, & 160 GFI RECEPTACLES	20	1	960			960	1	20	ROOM 161 RECEPTACLES	#12	22	
23	#12	ROOMS 100, 101, & 160 COMPUTERS	20	1	1800			1800	1	20	ROOMS 103, 109, 110, & 111 COMPUTERS	#12	24	
25	#12	ROOMS 112 & 113 COMPUTERS	20	1	1800			1800	1	20	ROOMS 116, 117, & 135 COMPUTERS	#12	26	
27	#12	ROOMS 117, 118, & 120 COMPUTERS	20	1	1800			1800	1	20	ROOMS 122, 123, & 144 COMPUTERS	#12	28	
29	#12	ROOMS 124 & 127 COMPUTERS	20	1	1800			1800	1	20	ROOMS 133, 136, 137, & 138 COMPUTERS	#12	30	
31	#12	ROOMS 140 & 141 COMPUTERS	20	1	1800			1800	1	20	ROOMS 142 & 143 COMPUTERS	#12	32	
33	#12	ROOM 149 COMPUTERS	20	1	1800			1800	1	20	ROOMS 150, 151, 152, & 153 COMPUTERS	#12	34	
35	#12	ROOMS 154, 155, & 157 COMPUTERS	20	1	1800			1200	1	20	LOBBY 100 & ALCOVE 158 LIGHTS	#12	36	
37	-	SPACE	-	-	-			-	-	-	SPACE	-	38	
39	-	SPACE	-	-	-			-	-	-	SPACE	-	40	
41	-	SPACE	-	-	-			-	-	-	SPACE	-	42	
						TOTAL CONNECTED LOAD (VA)								
SOLID NEUTRAL NEUTRAL WIRE (W)						A# = - B# = - C# = -			GROUND BUS GROUND WIRE (G)					



**ONE LINE DIAGRAM**  
NTS