

DAMMON
ENGINEERING, INC.

CHIEF ENGINEER
EMMETT
DAMMON, P.E.

CHIEF ARCHITECT
ROBERT
WILTSE

1095 FLORIDA AVENUE
SLIDELL, LA. 70458
OFFICE: 985-649-5832
FAX: 985-641-5950

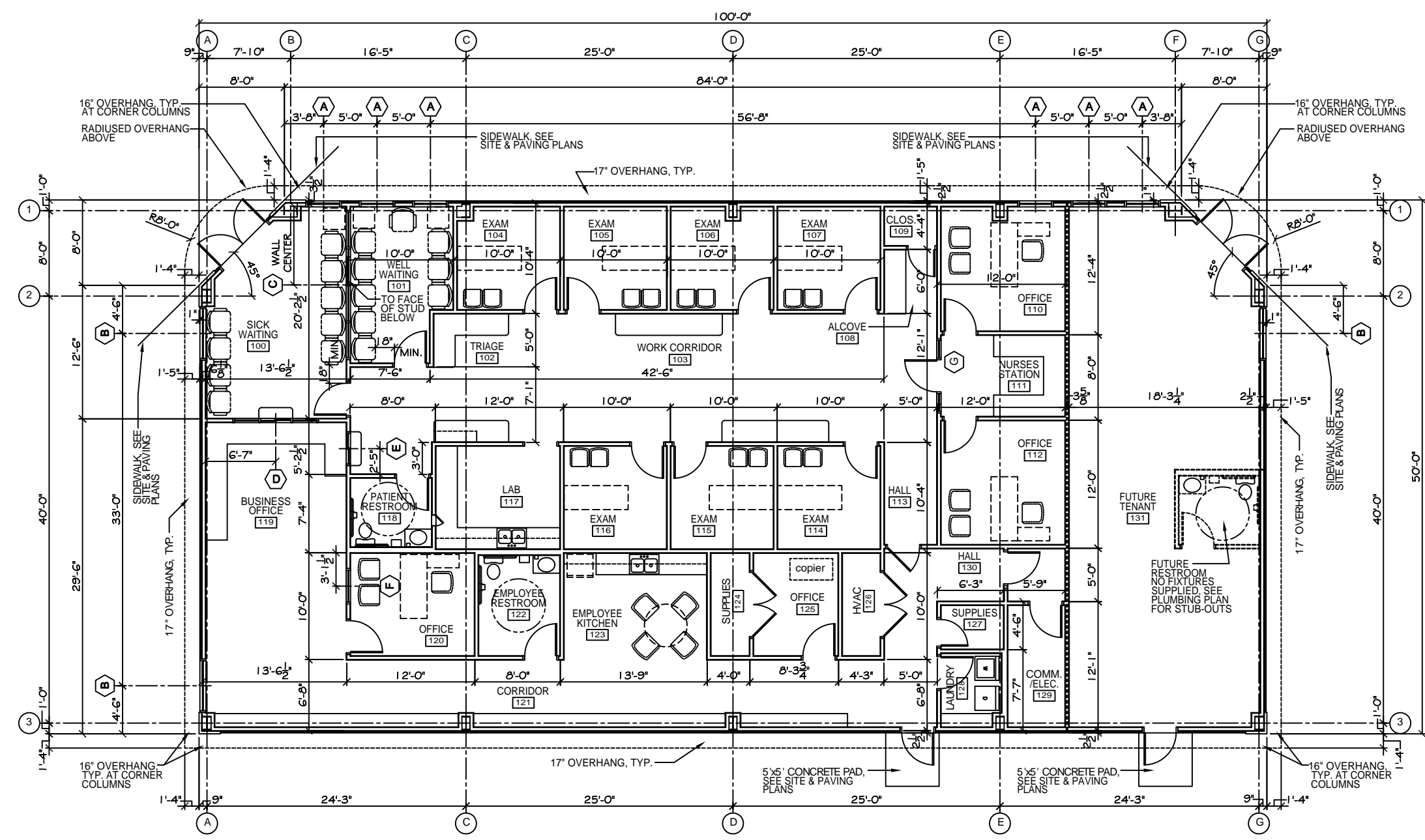
WEBSITE:
WWW.DAMMONENGINEERING.COM

EMAIL:
DAMMONENG@BELLSOUTH.NET

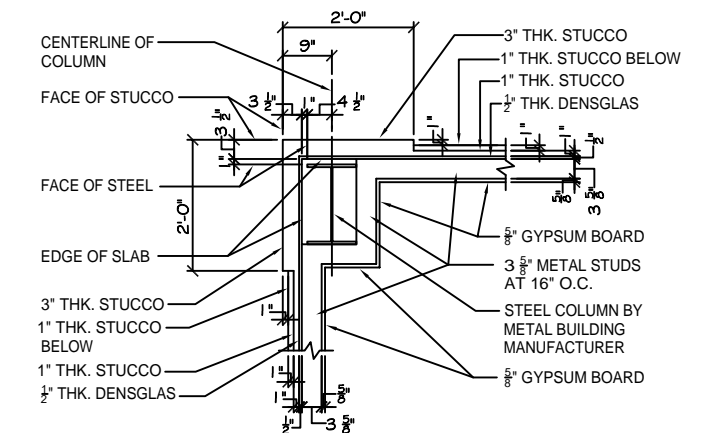
- ARCHITECTURE
- ENGINEERING
- STUDIES
- PLANNING
- INVESTIGATION
- EXPERT WITNESS

HERNANDEZ
MEDICAL
CENTER
HAMMOND
LOUISIANA

FLOOR
PLAN



FLOOR PLAN
SCALE: 3/16"=1'



EXTERIOR CORNER PLAN DETAIL
SCALE: 3/4"=1'

REV:

SCALE: AS NOTED

JOB#: 2042

DATE: 10-29-09

SHEET