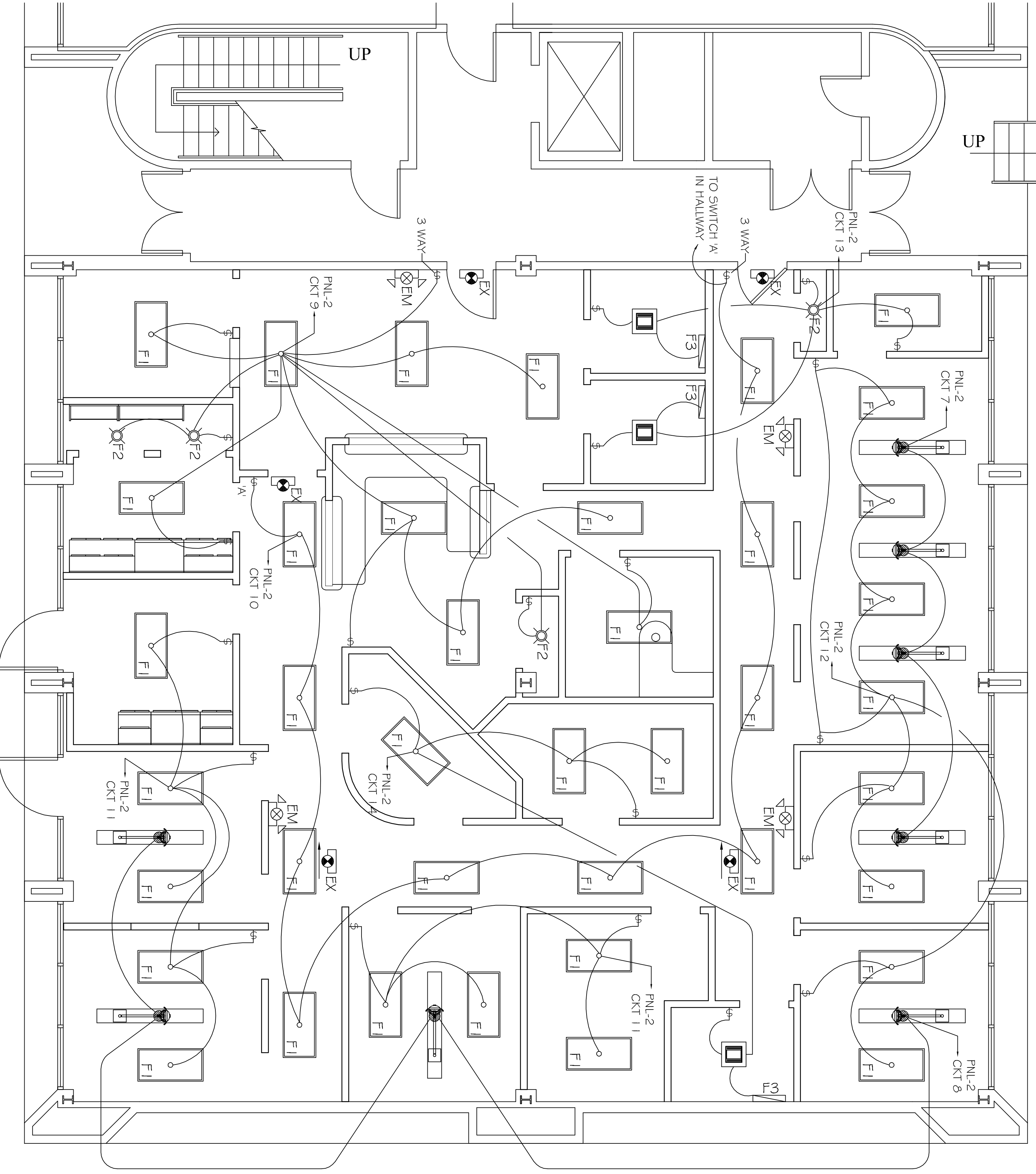


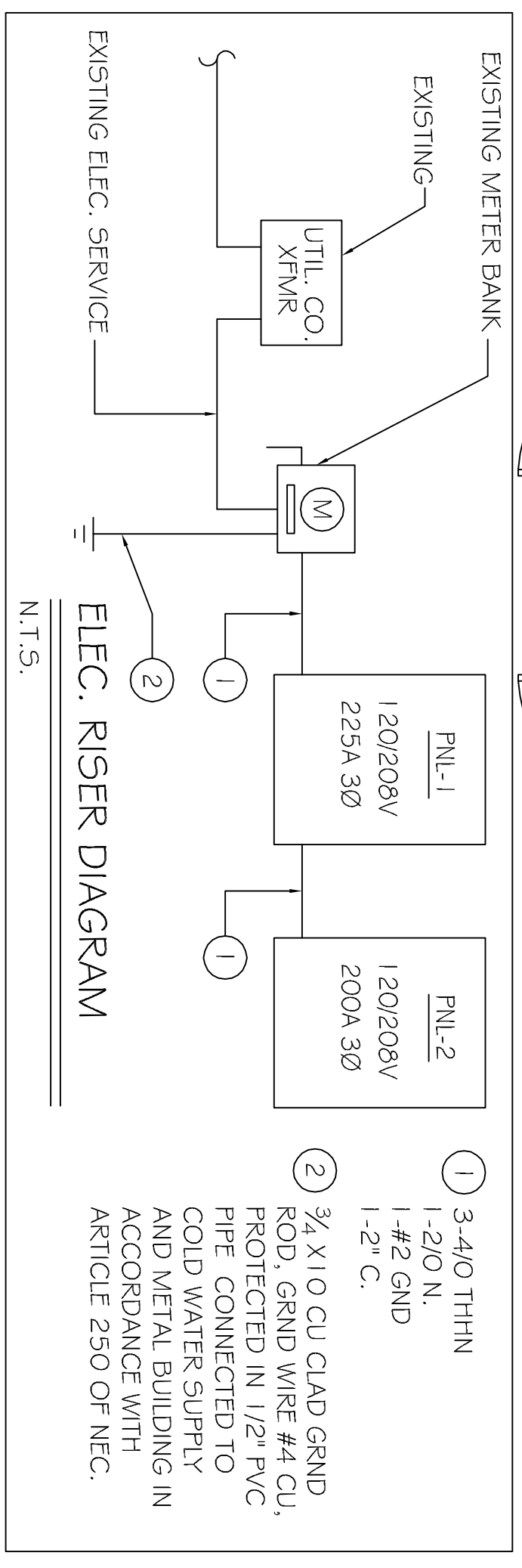
PATTERSON DENTAL LIGHTING NOTES
 SEE PLANS BY PATTERSON DENTAL

DENTAL OPERATING LIGHT, CEILING MOUNTED - 11.5 VOLTS, 3 AMPS, WHERE DESIGNATED, RUN RIGID OR FLEXIBLE CONDUIT WITH CONNECTING ELECTRICAL TUBING TO AVOID USING FOR BASKING INSTRUMENTS POSITION OF OUTLET WILL BE SPOTTED BY PATTERSON DENTAL REPRESENTATIVE. SEE MANUFACTURER'S SPECIFICATIONS.



LIGHTING PLAN
 SCALE: 1/4" = 1'-0"

NOTE:
 SEE EQUIPMENT SUPPLIER PLANS AND DETAILS FOR DENTAL EQUIPMENT ELECTRICAL REQUIREMENTS.



① 3-4/0 THHN
 1-2/0 N.
 1-#2 GND
 1-2" C.

② 3/4" X 1/0 CU CLAD GRND
 ROD, GRND WIRE #4 CU,
 PROTECTED IN 1/2" PVC
 PIPE CONNECTED TO
 COLD WATER SUPPLY
 AND METAL BUILDING IN
 ACCORDANCE WITH
 ARTICLE 250 OF NEC.

LIGHTING FIXTURE SCHEDULE

LABEL	DESCRIPTION	MANUFACTURER PRODUCT #	LAMPS	QTY
F1	2x4 RECESSED FLUORESCENT 3" PARABOLIC TROFFER	LITHONIA LIGHTING 2PM3N 3 32 MVOLT 1/3 GEB105	3-T8 32W FLUORESCENT 120V	16
F2	SURFACE MOUNTED FLUORESCENT	LEVITON 9860 LHG	1-1 3W FLUORESCENT 120V	5
F3	COMMERCIAL WALL BRACKET 24" LONG	LITHONIA LIGHTING WC 2 17 MVOLT GEB 1015	2-T8 17W FLUORESCENT 120V	5
EM	EMERGENCY EGRESS LIGHT W/ 90 MIN. BATTERY BACKUP	ELIP LIGHTING ELIP2	2-5-4W HALOGEN	
EX	WALL MOUNTED LED EXIT SIGN	ELIP LIGHTING XE2 R WE EM	LED	
EX1	WALL MOUNTED LED EXIT SIGN W/ REMOTE HEAD	ELIP LIGHTING XE2 R WE EM RC RHW WP1 GV 7.2W	LED 7.2W REMOTE HEAD	

NOTES:
 1. CONNECT ALL EMERGENCY / EXIT LIGHT FIXTURES TO NEAREST CONSTANT POWER SOURCE.

PANEL: PNL-1
 LOCATION: EXISTING ELEC. RM.
 FEEDER SOURCE: MDP

VOLTAGE: 208/120V, 225A 3Ø, 4W MILD
 ENCLOSURE: SURFACE MOUNTED W/ EQUIPMENT GND BAR
 BUILT ON BRK 22000 AC

CT. NO.	THRU WIRE SIZE	LOAD DESCRIPTION	BEAKER AMP	POLE	LOAD (VA)	LOAD (VA)	BEAKER AMP	LOAD DESCRIPTION	THRU WIRE SIZE	CT. NO.
1	2430				2430				2	
3	AC #1 COMPRESSOR UNIT	30	3	1400	2430	3	35	AVT #1 5 TON 10 W ELEC. HEATER	4#	
5	5 TON	1400		2430					6	
7		1400		2430					6	
9	AC #2 COMPRESSOR UNIT	30	3	1400	2430	3	35	AVT #2 5 TON 10 W ELEC. HEATER	4#	
11	5 TON	1400		2430					10	
13		1400		2430					12	
15	ELEC WATER HEATER	40	2	2200	1900	2	20	DENTAL SUCTION UNIT	14	
17	40 GALLON	2200		1900					16	
19	DENTAL AIR COMPRESSOR	20	2	1500	1900	2	20	230V OUTLET AT LAB RM 104	18	
21	RECEPTACLES	20	1	1600	1600	1	20	RECEPTACLES	20	
23	RECEPTACLES	20	1	1600	1600	1	20	RECEPTACLES	22	
25	RECEPTACLES	20	1	1600	1600	1	20	RECEPTACLES	24	
27	DENTAL CHAIR UNIT OUTLET	20	1	1400	1400	1	20	DENTAL CHAIR UNIT OUTLET	26	
29	DENTAL CHAIR UNIT OUTLET	20	1	1400	1400	1	20	DENTAL CHAIR UNIT OUTLET	28	
31	XRAY RECEPTACLE	20	1	1300	1300	1	20	XRAY RECEPTACLE	30	
33	COMPUTER OUTLETS	20	1	1600	1600	1	20	RECEPTACLES	32	
35	RECEPTACLES	20	1	1600	1600	1	20	RECEPTACLES	34	
37	RECEPTACLES	20	1	1600	1600	1	20	RECEPTACLES	36	
39	COMPUTER OUTLETS	20	1	1600	1600	1	20	RECEPTACLES	38	
41	RECEPTACLES AND EQ RM RM FAN	20	1	1600	1600	1	20	RECEPTACLES	40	
42	RECEPTACLES AND EQ RM RM FAN	20	1	1000	1300	1	20	XRAY RECEPTACLE	42	

TOTAL CONNECTED LOAD (VA)=67200
 GROUND BUS (G)
 4#-22400 5#-22400 2#-22400

PANEL: PNL-2
 LOCATION: EXISTING ELEC. RM.
 FEEDER SOURCE: MDP

VOLTAGE: 208/120V, 225A 3Ø, 4W MILD
 ENCLOSURE: SURFACE MOUNTED W/ EQUIPMENT GND BAR
 BUILT ON BRK 22000 AC

CT. NO.	THRU WIRE SIZE	LOAD DESCRIPTION	BEAKER AMP	POLE	LOAD (VA)	LOAD (VA)	BEAKER AMP	LOAD DESCRIPTION	THRU WIRE SIZE	CT. NO.
1	1300	XRAY RECEPTACLE	20	1	1300	1300	20	PANORAMIC XRAY CONTROL RECEPTACLE	#12	2
3	DEDICATED RECEPTACLE	20	1	1600	1600	1	20	DEDICATED RECEPTACLE	#12	4
5	DEDICATED RECEPTACLE	20	1	1600	1600	1	20	DEDICATED RECEPTACLE	#12	6
7	DENTAL OPERATING LIGHTS	20	1	1300	1300	1	20	DENTAL OPERATING LIGHTS	#12	8
9	GENERAL LIGHTING	20	1	1600	1600	1	20	GENERAL LIGHTING	#12	10
11	GENERAL LIGHTING	20	1	1600	1600	1	20	GENERAL LIGHTING	#12	12
13	TOILET LIGHTS / VENT COMBO	20	1	1600	1600	1	20	GENERAL LIGHTING / TOILET LIGHT AND VENT COMBO	#12	14
15	SPRINKLER	20	1	1600	1600	1	20	SPRINKLER	#12	16
17	SPRINKLER	20	1	1600	1600	1	20	SPRINKLER	#12	18
19	SPRINKLER	20	1	1600	1600	1	20	SPRINKLER	#12	20
21	BLANK	-	-	-	-	-	-	BLANK	-	22
23	BLANK	-	-	-	-	-	-	BLANK	-	24
25	BLANK	-	-	-	-	-	-	BLANK	-	26
27	BLANK	-	-	-	-	-	-	BLANK	-	28
29	BLANK	-	-	-	-	-	-	BLANK	-	30
31	BLANK	-	-	-	-	-	-	BLANK	-	32
33	BLANK	-	-	-	-	-	-	BLANK	-	34
35	BLANK	-	-	-	-	-	-	BLANK	-	36
37	BLANK	-	-	-	-	-	-	BLANK	-	38
39	BLANK	-	-	-	-	-	-	BLANK	-	40
41	BLANK	-	-	-	-	-	-	BLANK	-	42

TOTAL CONNECTED LOAD (VA)=67200
 GROUND BUS (G)
 4#-22400 5#-22400 2#-22400

DR. JONES
 7240 CROWDER BLVD.
 SUITE 102
 NEW ORLEANS, LA

DAMMON
 ENGINEERING, INC.

CHIEF ENGINEER
 EMMETT DAMMON, P.E.

CHIEF ARCHITECT
 ROBERT WILTSE

554 OLD SPANISH TRAIL
 SLIDELL, LA. 70458
 OFFICE: 985-649-5832
 FAX: 985-641-5950

WEBSITE: WWW.DAMMONENGINEERING.COM
 EMAIL: DAMMONENG@BELLSOUTH.NET

ARCHITECTURE
 ENGINEERING
 STUDIOS
 PLANNING
 INVESTIGATION
 EXPERT WITNESS

REV: _____

SCALE: AS NOTED

JOB#: 2130

DATE: 02-15-12

SHEET 9

E-2

NEW DENTAL OFFICE

LIGHTING PLAN

OF 11