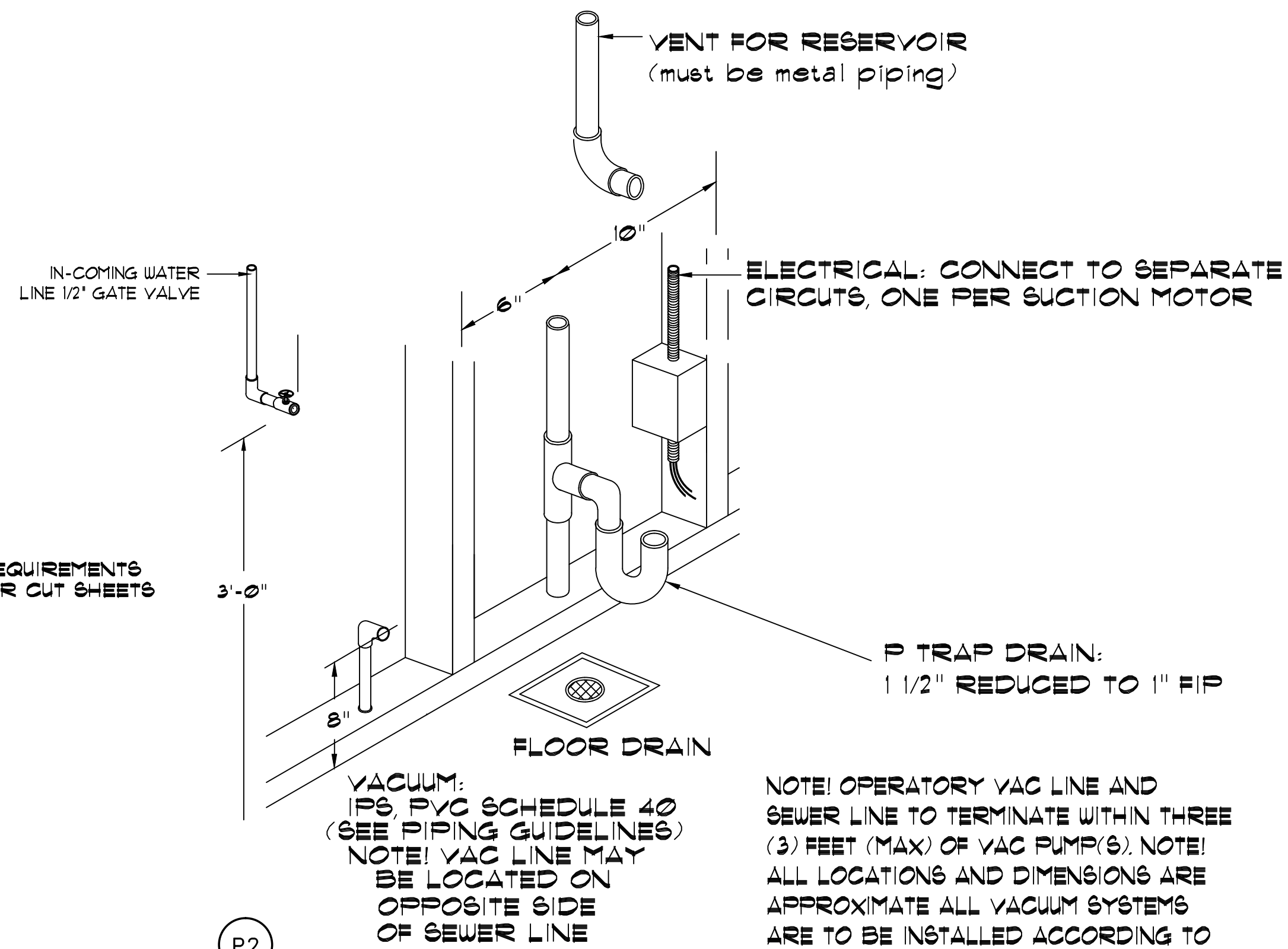
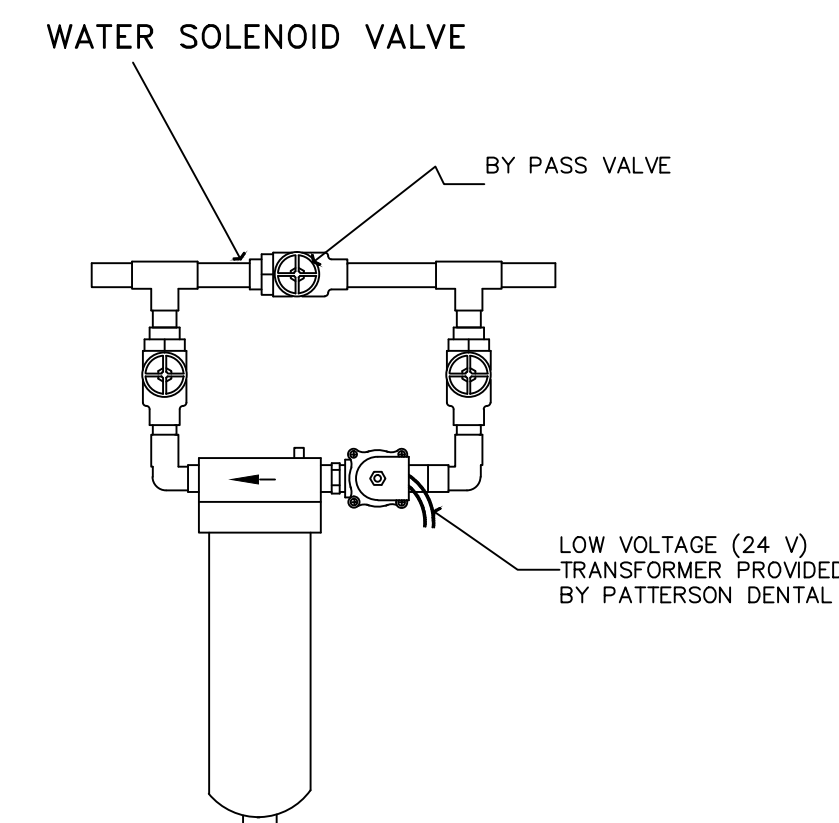


**AIR COMPRESSOR
DETAIL #**

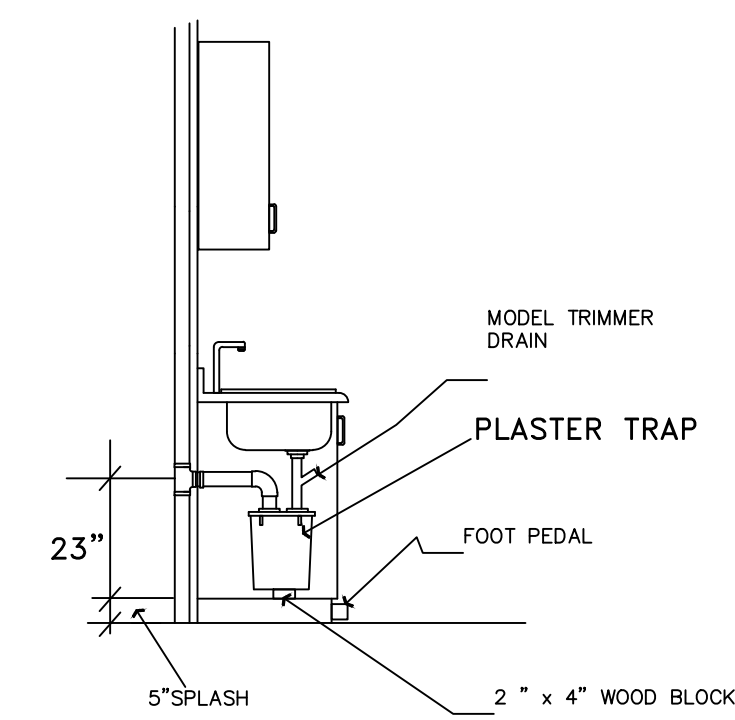
P1
E1 AIR COMPRESSOR
Provided by: Patterson Dental
Installed by: Contractor



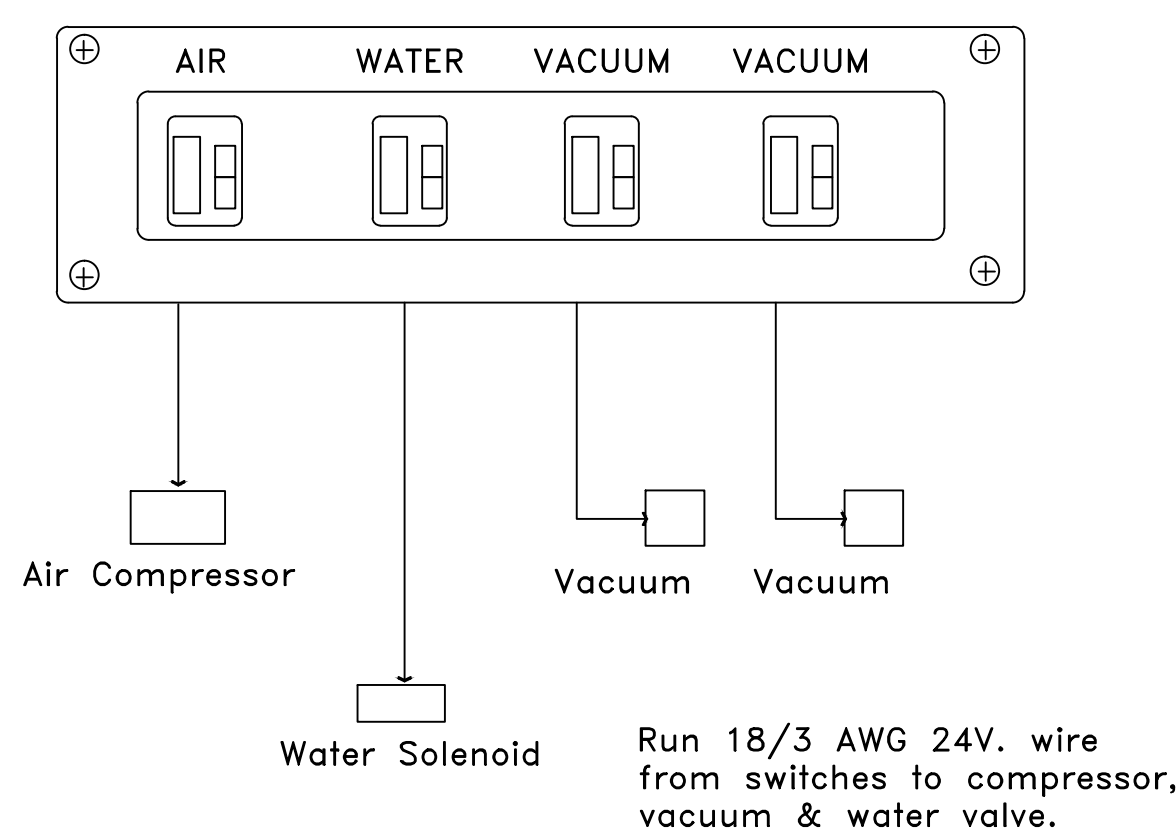
P2
E2 VACUUM
Provided by: Patterson Dental
Installed by: Contractor



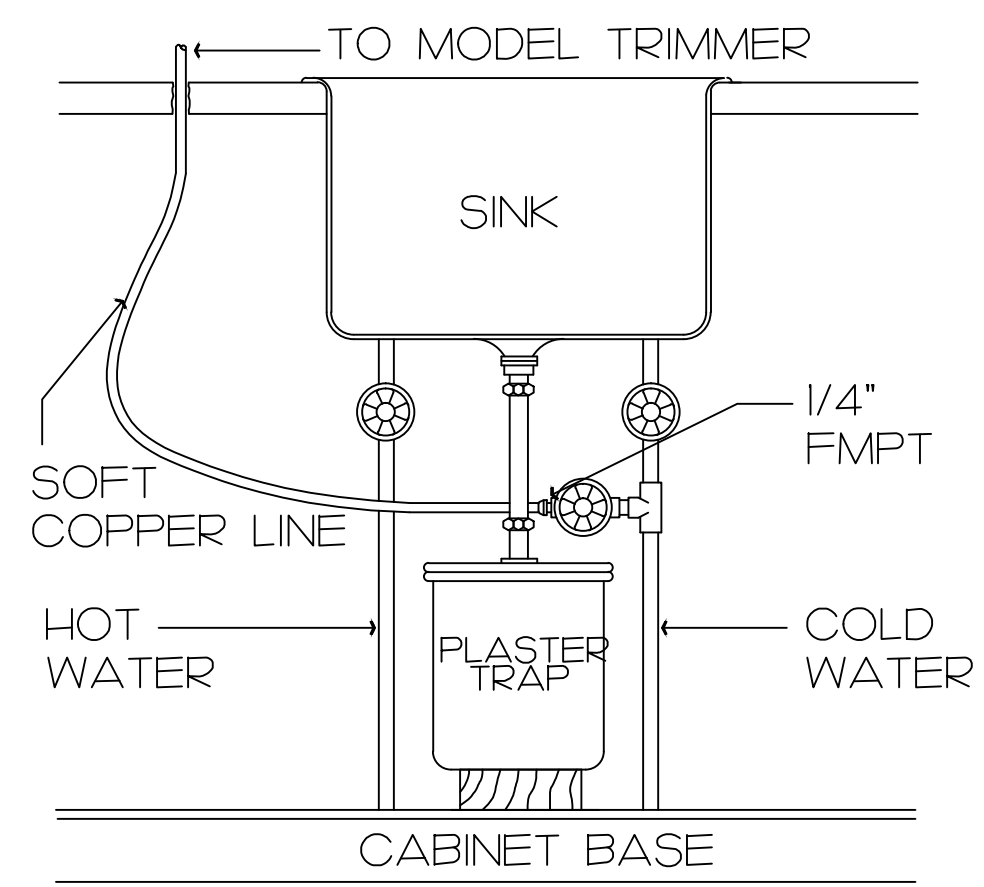
P3
E3 WATER SOLENOID VALVE- WITH FILTER
Provided by: Patterson Dental (Solenoid Valve)
Installed by: Contractor



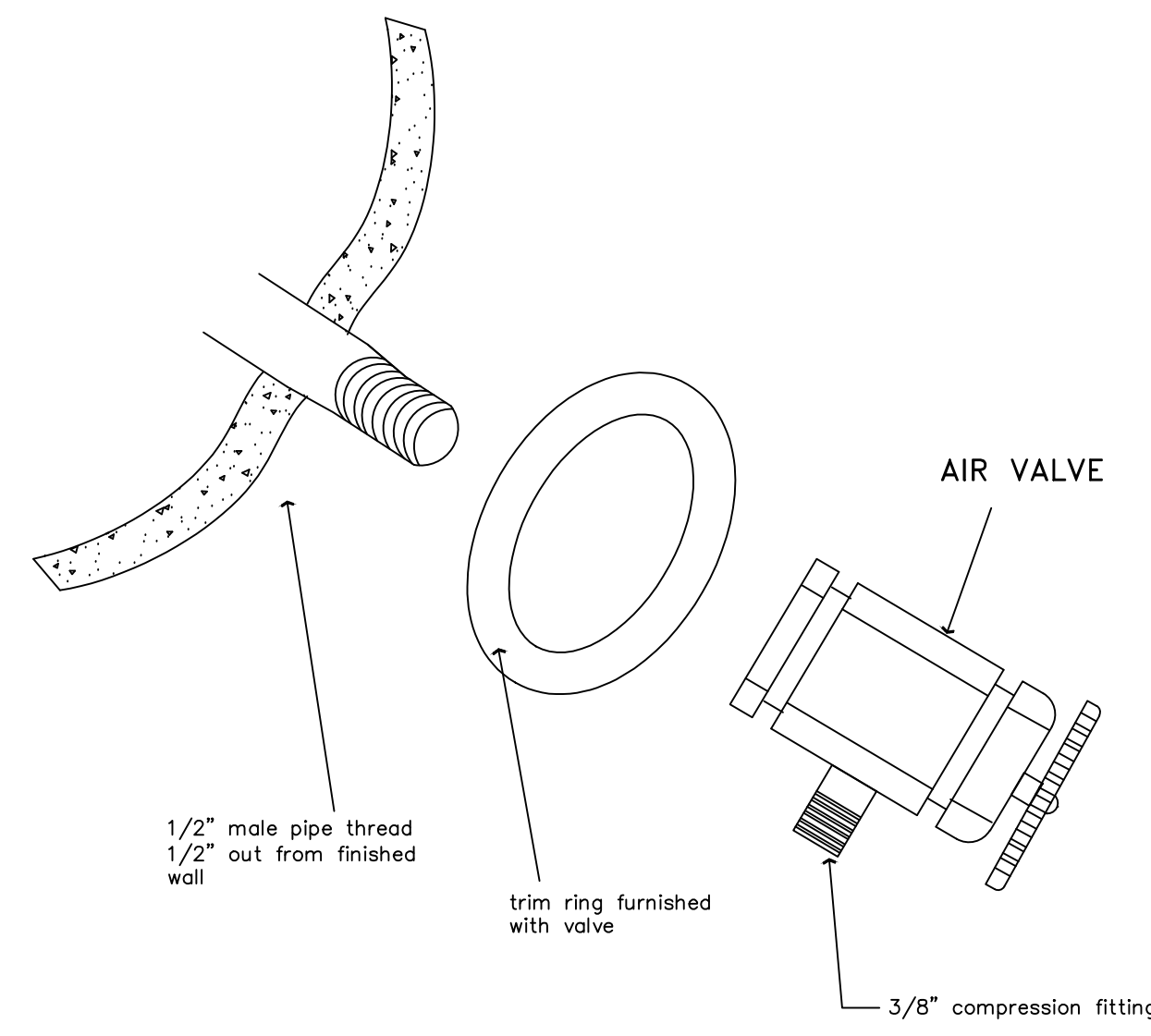
P5 **PLASTER TRAP**
Provided by: Patterson Dental (Plaster Trap)
Installed by: Contractor



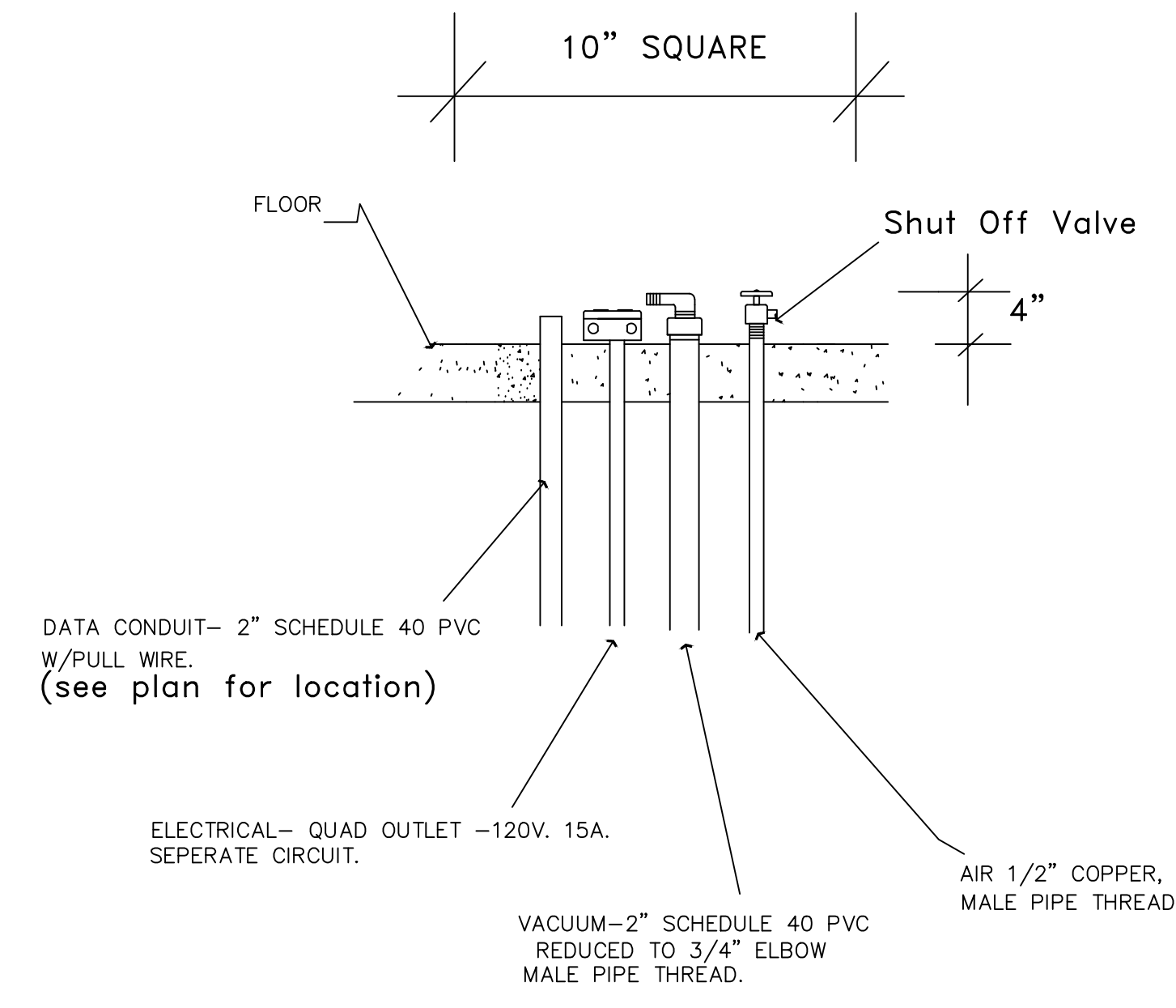
E4 MASTER CONTROL PANEL
Provided by: Patterson Dental (Master Control Panel)
Installed by: Contractor (see plan for location)



P6 **MODEL TRIMMER FRONT ELEV**
Provided by: Patterson Dental (Model Trimmer)
Installed by: Contractor



P7 **AIR VALVE**
Provided and installed by: Contractor



P11
E15 UTILITY SERVICE CENTER---"USC"
Provided by: Patterson Dental
* SEE PLAN FOR ITEMS NEEDED FOR EACH PROJECT.
* NOT ALL ITEMS NEEDED FOR ALL PROJECTS.

*ALL SPECIFICATIONS TO BE VERIFIED BY A PATTERSON REPRESENTATIVE IN THE FIELD

THESE DRAWINGS AND SPECIFICATIONS ARE THE PROPERTY OF PATTERSON DENTAL SUPPLY AND SHALL BE LIMITED TO A SPECIFIC PROJECT FOR THE PERSON OR ENTITY TO WHOM THEY ARE ISSUED. NO PART OF THESE DRAWINGS OR SPECIFICATIONS SHALL BE REPRODUCED, COPIED, OR TRANSMITTED IN ANY FORM OR BY ANY MEANS, WITHOUT THE WRITTEN PERMISSION OF PATTERSON DENTAL SUPPLY. DO NOT SCALE THESE DRAWINGS. ANY DISCREPANCIES OR CHANGES TO THESE DRAWINGS SHALL BE THE RESPONSIBILITY OF THE CONTRACTOR. THE CONTRACTOR SHALL VERIFY ALL LOCAL AND STATE AND LOCAL CODES PERTAINING TO THE CONSTRUCTION OF THIS PROJECT.

Project No.: **08-025**
Date: **OCTOBER 21, 2013**
Detailed By: **KAREN BENNETT**
Sheet:
Scale: **1/4" = 1'-0"**
Issue:
Revision:
1:
2:

Sheet No.: **E6**

**PATTERSON
DENTAL**
817-305-4200
FAX 817-305-4201

**A NEW DENTAL OFFICE FOR
DR. SOILEAU**
EQUIPMENT SPECIALIST: JOHN TESSITORE