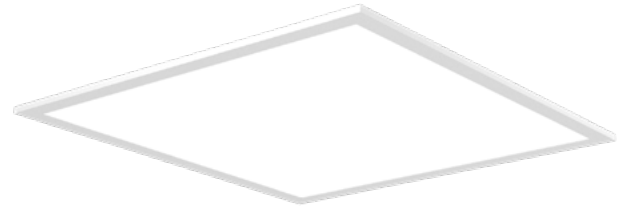


DATE:	LOCATION:
TYPE:	PROJECT:
CATALOG #:	

tradeSELECT®

**FEATURES**

- Switchable Lumen technology:  
4400/3300/2750 lumens (1x4 and 2x2)  
5500/4400/3300 lumens (2x4)
- 1x4, 2x2, and 2x4 sizes
- 80 CRI
- 1–10V dimming to 10%
- Recessed or surface mount
- Universal voltage (120–277V)
- IC rated
- Smooth even illumination across the face of the luminaire



**SPECIFICATIONS**

**CONSTRUCTION**

- Aluminum lens frame has a matte white finish
- Luminaire housing is die formed code-gauge steel

**OPTICS**

- Acrylic micro-optics over each LED provide edge to edge illumination without pixelation or bright spots
- Frosted/textured lens provides smooth surface brightness

**INSTALLATION**

- Integral T-bar clips for secure mounting to grid ceiling
- For surface mount applications use surface mount kit accessories

**INSTALLATION (CONTINUED)**

- For plaster or sheet rock installations, use flange kit accessories

**ELECTRICAL**

- 60,000 hour LEDs at L70 for reduced maintenance
- Operates at 120–277V
- Dimming capability at 120V only
- Switchable Lumen technology allows for easy field-adjustable lighting output with three level switch located on back of panel
- Switchable Lumen fixtures ship at the highest lumen output

**CERTIFICATIONS**

- All luminaires are built to UL 1598 standards and bear appropriate cULus labels
- Damp location label standard
- Adheres to LM79, LM80, and TM21 industry standards for photometrics and lifetime calculations
- DLC® (DesignLights Consortium) Qualified. Please refer to the DLC website for specific product qualifications at [www.designlights.org](http://www.designlights.org)

**WARRANTY**

- 5 year warranty
- See [HLI Standard Warranty](#) for additional information

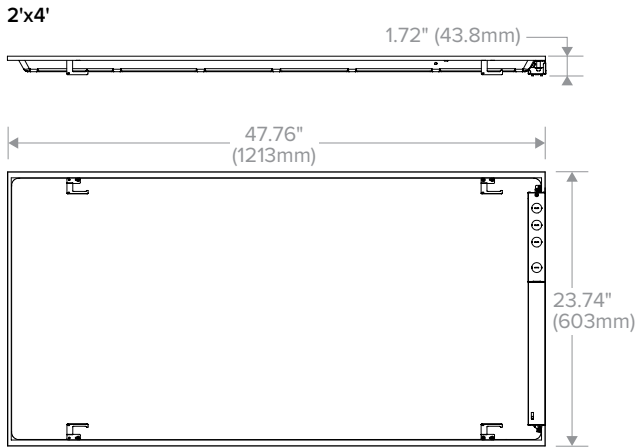
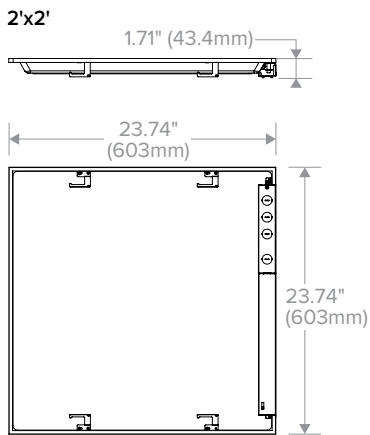
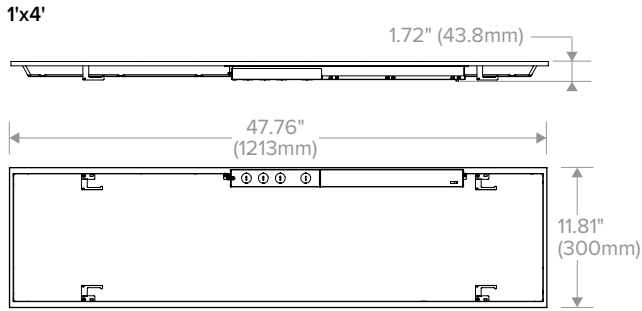
**ORDERING GUIDE**

Catalog Number	UPC	Description	Delivered Lumens	Watts	LPW
CBT22-LS35	840141400037	2X2 Back-Lit Troffer, 4400/3300/2750 Switchable Lumens, 3500K CCT	2970	24	124
			3358	28	120
			4385	38	115
CBT22-LS40	840141400044	2x2 Back-Lit Troffer, 4400/3300/2750 Switchable Lumens, 4000K CCT	3000	24	125
			3390	28	121
			4459	38	117
CBT24-LS35	840141400051	2x4 Back-Lit Troffer, 5500/4400/3300 Switchable Lumens, 3500K CCT	3633	28	130
			5014	38	132
			6037	48	126
CBT24-LS40	840141400068	2x4 Back-Lit Troffer, 5500/4400/3300 Switchable Lumens, 4000K CCT	3654	28	131
			5064	38	133
			6140	48	128

Accessories (Order Separately)	
FK14	1x4 Single Flange Kit
FK22	2x2 Single Flange Kit
FK24	2x4 Single Flange Kit
SRPSMK14	1x4 Surface Mount Kit
SRPSMK22	2x2 Surface Mount Kit
SRPSMK24	2x4 Surface Mount Kit

KEY DATA	
Lumen Range	2970–6140
Wattage Range	24–48
Efficacy Range (LPW)	115–133
Reported Life (Hours)	L70/60,000

**DIMENSIONS**



**ADDITIONAL INFORMATION**

- 3300 LM •
- 4400 LM •
- 5500 LM •



Switchable Lumen technology

**PHOTOMETRY**

**CBT14-LS35\_4400LM**

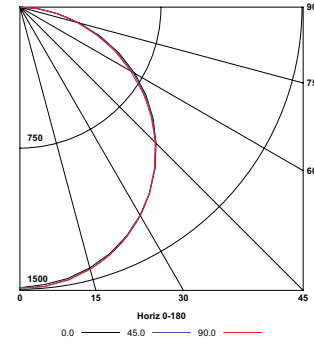
**LUMINAIRE DATA**

Test No.	CBT14-LS35_4400lm
Description	CBT Back-lit Troffer 1'x4' 3500K 4400lm
Delivered Lumens	<b>4454</b>
Watts	<b>41.65</b>
Efficacy	<b>107</b>
Mounting	<b>Recessed</b>
Spacing Criterion	0° = 1.27 90° = 1.27

**ZONAL LUMEN SUMMARY**

Zone	Lumens	% Luminaire
0-30	1170	26.3
0-40	1924	43.2
0-60	3439	77.2
0-90	4454	100.0
0-180	4454	100.0

**POLAR GRAPH**



**CBT22-LS35\_4400LM**

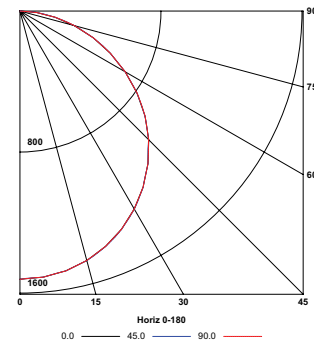
**LUMINAIRE DATA**

Test No.	CBT22-LS35_4400lm
Description	CBT Back-lit Troffer 2'x2' 3500K 4400lm
Delivered Lumens	<b>4484</b>
Watts	<b>40.33</b>
Efficacy	<b>111</b>
Mounting	<b>Recessed</b>
Spacing Criterion	0° = 1.26 90° = 1.26

**ZONAL LUMEN SUMMARY**

Zone	Lumens	% Luminaire
0-30	1189	26.5
0-40	1953	43.6
0-60	3476	77.5
0-90	4484	100.0
0-180	4484	100.0

**POLAR GRAPH**



**CBT24-LS35\_5500LM**

**LUMINAIRE DATA**

Test No.	CBT24-LS35_5500lm
Description	CBT Back-lit Troffer 2'x4' 3500K 5500lm
Delivered Lumens	<b>5855</b>
Watts	<b>49.71</b>
Efficacy	<b>118</b>
Mounting	<b>Recessed</b>
Spacing Criterion	0° = 1.27 90° = 1.26

**ZONAL LUMEN SUMMARY**

Zone	Lumens	% Luminaire
0-30	1542	26.3
0-40	2535	43.3
0-60	4526	77.3
0-90	5855	100.0
0-180	5855	100.0

**POLAR GRAPH**

