

LTR-4RD

LITEISTRY 4" ROUND DOWNLIGHT

LITEISTRY™

FEATURES

- 4" architectural LED downlight delivering 600 – 4000 lm
- Five beam distributions from 0.3 to 1.2 Spacing Criteria
- Quiet reflector appearance with superior 50° optical cutoff
- 2700K – 5000K, 80+ and 90+ CRI options
- Available for New Construction (non-IC), IC and Chicago Plenum applications
- Variety of dimming protocol options including 0–10V, DALI, DMX, Lutron Forward Phase and EcoSystem
- NX Distributed Intelligence™ wired and wireless controls capability available



RELATED PRODUCTS

- ∅ [LTR-4RD-RFH Retrofit](#)
- ∅ [LTR-4RD SpectraSync](#)
- ∅ [4" LITEISTRY Family](#)
- ∅ [LTR-4RD PowerHUBB](#)

SERVICE PROGRAMS



CONTROL TECHNOLOGY



SPECIFICATIONS

CONSTRUCTION

- Standard Non-IC. Chicago Plenum and IC options
- Painted black durable steel platform with pre-installed bar hangers
- Pre-wired junction box with snap-on covers for easy access
- Snap-in connection from driver compartment allows easy installation
- Light Engine connections use plenum rated (CMP) cable

OPTICS

- Visually pleasing 50° cutoff to source and source image
- The light distribution is free of distracting bright spots or pixelation and the perimeter has a smooth transition
- Optical grade silicone lens integral to light engine
- High purity spun aluminum reflector, self-flanged
- Flush Mount flange option with mud-in ring available
- Large selection of anodized finishes and colors
- Painted cones and flange options available

ELECTRICAL

- Chip-on-board LED with 2 SDCM
- Multiple CCTs, 80+ or 90+ CRI
- Long LED life: L90 at >55,000 hours (TM-21)
- Universal voltage 120V–277V driver, 347V optional
- UL Class 2, inherent short circuit and overload protection, RoHS compliant
- Flicker free 0-10V dimming with 1% or <1% performance
- DALI, DMX, and Lutron Forward Phase and EcoSystem options
- Integral and remote emergency controller and battery pack options available
- NX or Lutron Vive control options available
- Refer to additional spec sheets for information on [SpectraSync™ Tunable White or Dim-to-Warm](#) or [PowerHUBB™ PoE enabled](#) solutions

INSTALLATION

- Accommodates ceiling thickness up to 2"
- Universal adjustable mounting brackets also accept 0.5" EMT conduit or 1.5" or 0.75" lathing channel (by others) or Prescolite accessory bar hangers (B24 or B6)
- Light Engine/Driver fully serviceable from above or below the ceiling

CERTIFICATIONS

- cCSAus certified to UL 1598
- Suitable for wet locations, covered ceiling. EM/ EMR: Suitable for damp locations.
- EM/EMR: Certified under UL 924 standard for emergency lighting and power equipment
- Approved for 8 (4 in/4 out) No. 12AWG conductors rated for 90°C through wiring
- ENERGY STAR® certified models available (See list and additional information on page 7)
- This product qualifies as a “designated country construction material” per FAR 52.225-11 Buy American-Construction. Materials under Trade Agreements effective 6/6/2020. See [Buy American Solutions](#).

WARRANTY

- 5 year warranty
- See [HLI Standard Warranty](#) for additional information

KEY DATA	
Lumen Range	600-4000
Wattage Range	8-52
Efficacy Range (LPW)	90-99*
Reported Life (Hours)	L90 / >55,000
Input Current (mA)	65-433 (120V)

*Based on Specular, 35K, 80 CRI



LTR-4RD

LITEISTRY 4" ROUND DOWNLIGHT

DATE: _____ LOCATION: _____

TYPE: _____ PROJECT: _____

CATALOG #: _____

_____ = Service Program



Click icons for a list of Stocked or Quick-Ship options

ORDERING GUIDE

Example: LTR-4RD-H-SL10L-DM1-LTR-4RD-T-SL35K8MD-S

CATALOG # _____

HOUSING

LTR-4RD-H	Lumen Package		Lumen Output		Driver Options		Control Options		Voltage	Housing Options	
Aperture/Shape/Function	SL	Standard Lumen	06L	600	DM1	0-10V Dimming to 1%	NXE	NX Enabled, Dual SmartPorts ³	<i>Standard</i> 120-277V	CP	Chicago Plenum ^{7,9}
LTR-4RD-H 4" Round Downlight New Construction Housing			10L	1000	DM01	0-10V Dimming to < 1%	NXWE	NX Wireless Enabled ³		34	IC
			15L	1500	DMX	DMX with RDM dimming to < 0.1% ²	NXWD	NX Wireless Enabled, Dual SmartPorts ³	34 347V ⁶	EM	Emergency Battery Pack with integral test switch and indicator light ⁹
	ML	Medium Lumen	20L	2000	DALI	DALI Dimming to 1%	LV	Lutron Vive Enabled, 0-10V (requires 0-10V driver)		EMR	Emergency Battery Pack with remote test switch and indicator light ⁹
			25L	2500	2DM	Lutron Hi-Lume 2-wire Dimming to 1% (120V Forward Phase only) ²	LVE	Lutron Vive Enabled, EcoSystem, (requires EDM)		DTS	Device Transfer Switch with Dimming Bypass ^{9,11}
			30L	3000	EDM	Lutron Hi-Lume EcoSystem Dimming to 1% ²				GTD	Generator Transfer Device ⁹
	HL	High Lumen	35L	3500						F	Fuse
			40L	4000							

TRIM

LTR-4RD-T	Lumen Package		CCT		CRI		Distribution	
Aperture/Shape/Function	SL	Standard Lumen	27K	2700K	8	80+CRI	VNR	Very Narrow (0.3 SC/20°) ¹³
LTR-4RD-T 4" Round Downlight Light Engine/Trim Assembly	ML	Medium Lumen	30K	3000K	9	90+CRI	NR	Narrow (0.4 SC/29°)
	HL	High Lumen	35K	3500K			MD	Medium (0.7 SC/44°)
			40K	4000K			WD	Wide (0.9 SC/61°)
			50K	5000K ¹			XW	Extra Wide (1.2 SC/78°)

TRIM CONTINUED

Reflector Finish	Reflector Color	Flange Color Options	Lower Trim Options	Reflector Options
<i>Finish not applicable with painted reflectors (WC or BC)</i>	<i>Standard Clear</i>	<i>Standard matches reflector color</i>	EM Pre-punched reflector for EM integral test switch and indicator	AM Antimicrobial Coating ⁵
S Specular	CG Champagne Gold	WT White Flange ⁴	FM Flush Mount Mud-in Ring ¹⁰	
SS Semi-Specular	BL Black	BT Black Flange ⁴	WF Wide Flange	
MFC American Matte™	LW Light Wheat			
VS Softglow®	PW Pewter			
VSS SoftSheen™	WC Painted White Cone and Flange			
	BC Painted Black Cone and Flange			

Accessories

- B24** Set of two (2) 24" bar hangers for T-bar ceilings
- B6** Set of two bar hangers for ceiling joist up to 24" centers
- FMR4-R** Flush Mount Mud-In Ring Accessory, 4" Round
- LiteGear** LiteGear® Inverter, 125VA-250VA
- LPS Series** LightPower Micro-Inverter, 20VA-55VA
- MOR4-R-WH** Metal Oversized Ring, 4" Round, White (8.25" outside diameter)
- MOR4-R-BL** Metal Oversized Ring, 4" Round, Black (8.25" outside diameter)
- LTR-SCA4-___** Sloped Ceiling Adapter, 4", White¹²

Notes:

- 1 5000K available in 80+ CRI only.
- 2 2DM, EDM, DMX available in 10L-35L.
- 3 NX requires DM1 driver option.
- 4 WT not needed for WC, BT not needed for BC.
- 5 AM available with WC or Specular Clear (S or SWT). Consult factory for other colors.
- 6 347V requires DM1 driver option; not available in 06L or with Controls F, DTS, GTD, EM, EMR.
- 7 CP available up to 20L; not available with DMX, Controls, or EMR options.
- 8 IC available up to 20L; not available with Controls options.
- 9 Housing options (except Fuse) not available in combination.
- 10 Flush Mount Flange (FM) requires FMR accessory (sold separately).
- 11 DTS available with DM1, DM01, DALI, or EDM; not available with LVE.
- 12 Specify slope angle 5°-35° in 5° increments. Not available with EM, WF, or FM options.
- 13 VNR available up to 30L.



LTR-4RD

LITEISTRY 4" ROUND DOWNLIGHT

DATE: _____ LOCATION: _____

TYPE: _____ PROJECT: _____

CATALOG #: _____

CONTROLS

NX Distributed Intelligence™ Lighting Controls:

Supports applications in a variety of deployment options- wired, wireless, hybrid. Integrates with and enables a wide array of luminaires including those with SpectraSync™ Color Tuning Technology.



NX INTEGRATED CONTROLS REFERENCE								
NX Option	Sensor	Networkable	Scheduling	Occupancy	Daylight Harvesting	0-10V Dimming	On/off Control	Bluetooth® App Programming
<u>NX Networked – Wired</u>								
NXE	N/A	Yes	Yes	No	No	Yes	Yes	Requires NXBTC/R ¹
<u>NX Networked – Wireless</u>								
NXWE ²	N/A	Yes	Yes	No	No	Yes	Yes	No ³
<u>NX Networked – Wired/Wireless</u>								
NXWD	N/A	Yes	Yes	No	No	Yes	Yes	Requires NXBTC/R ^{1,3}

- 1 NXBTC/R needs to be plugged into an available NX SmartPort™ on the fixture network
- 2 Programming via App requires factory assistance
- 3 To program NXWE option, need to consult factory. If connected to an area controller, programming can be done from that



LTR-4RD

LITEISTRY 4" ROUND DOWNLIGHT

DATE: _____ LOCATION: _____

TYPE: _____ PROJECT: _____

CATALOG #: _____

PERFORMANCE DATA TABLE

Performance data provided below is for 3500K, 80 CRI with Specular Clear reflector finish/color

Lumen Package	Nominal Lumens	Distribution	"Delivered Lumens"	Watts	LPW
06L	600	Very Narrow	691	7.6	91
		Narrow	785	7.8	101
		Medium	726	7.8	93
		Wide	664	7.8	85
		Extra Wide	644	7.8	83
10L	1000	Very Narrow	1132	11.8	96
		Narrow	1255	12.0	105
		Medium	1160	12.0	97
		Wide	1062	12.0	89
		Extra Wide	1030	12.0	86
15L	1500	Very Narrow	1623	17.2	94
		Narrow	1795	18.6	97
		Medium	1660	18.6	89
		Wide	1519	18.6	82
		Extra Wide	1474	18.6	79
20L	2000	Very Narrow	2032	22.4	91
		Narrow	2238	22.5	99
		Medium	2152	22.5	96
		Wide	2059	22.5	92
		Extra Wide	2028	22.5	90
25L	2500	Very Narrow	2447	28.6	86
		Narrow	2985	27.8	107
		Medium	2760	27.8	99
		Wide	2526	27.8	91
		Extra Wide	2451	27.8	88
30L	3000	Very Narrow	2855	35.9	80
		Narrow	3583	34.6	104
		Medium	3313	34.6	96
		Wide	3032	34.6	88
		Extra Wide	2941	34.6	85
35L	3500	Narrow	4280	42.9	100
		Medium	3957	42.9	92
		Wide	3622	42.9	84
		Extra Wide	3514	42.9	82
40L	4000	Narrow	4885	51.5	95
		Medium	4517	51.5	88
		Wide	4134	51.5	80
		Extra Wide	4011	51.5	78

LTR-4RD

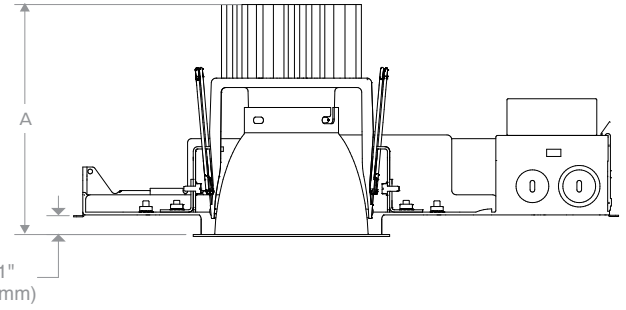
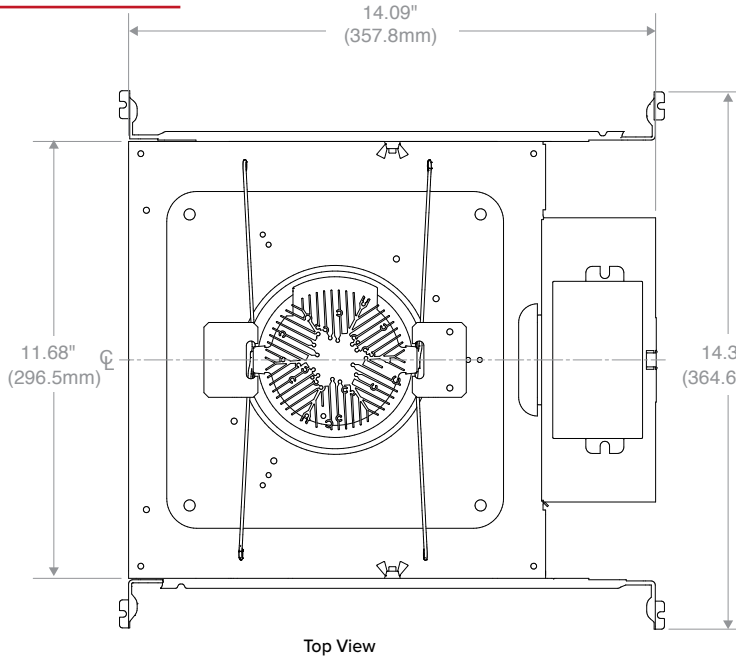
LITEISTRY 4" ROUND DOWNLIGHT

DATE: _____ LOCATION: _____

TYPE: _____ PROJECT: _____

CATALOG #: _____

DIMENSIONS

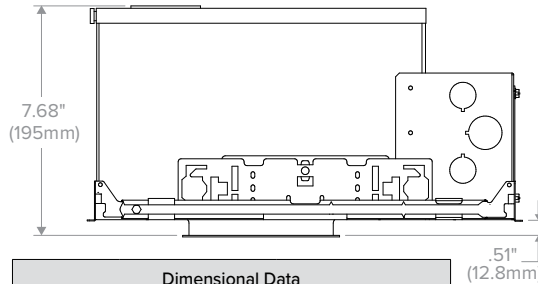
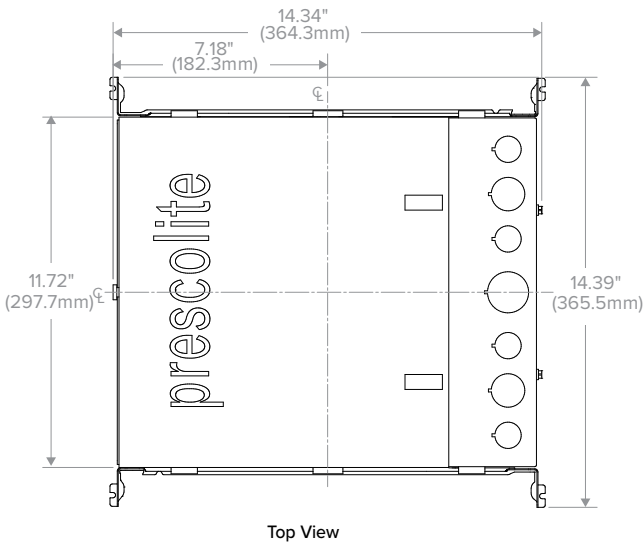


Dimensional Data		
Aperture		4.00" (101.6mm)
Flange:	Standard	5.25" (133.4mm)
	Flush Mount	4.50" (114.3mm)
Ceiling Cutout:	Standard	5.00" (127.0mm)
	Flush Mount	5.12" (130.0mm)
Ceiling Thickness:	Standard or w/ SCA 5-20° slope	0.50" to 2.00" (12.7mm to 50.8mm)
	With SCA 25-35° slope	0.50" to 1.75" (12.7mm to 44.6mm)

Lumen Package	"A"
06L-15L	4.97" (126.2mm)
20L-30L	6.15" (156.2mm)
35L-40L	7.33" (186.2mm)

SCA Sloped Ceiling Adapter accessory available, see [LTR-SCA specification sheet](#) and [installation instructions](#) for dimensional data and other details.

LTR-4RD-H New Construction



Dimensional Data		
Aperture		4.00" (101.6mm)
Flange:	Standard	5.25" (133.4mm)
	Flush Mount	4.50" (114.3mm)
Ceiling Cutout:	Standard	5.00" (127.0mm)
	Flush Mount	5.12" (130.0mm)
Ceiling Thickness:	Standard or w/ SCA 5-20° slope	0.50" to 2.00" (12.7mm to 50.8mm)
	With SCA 25-35° slope	0.50" to 1.75" (12.7mm to 44.6mm)

SCA Sloped Ceiling Adapter accessory available, see [LTR-SCA specification sheet](#) and [installation instructions](#) for dimensional data and other details.

LTR-4RD-H IC/CP

LTR-4RD

LITEISTRY 4" ROUND DOWNLIGHT

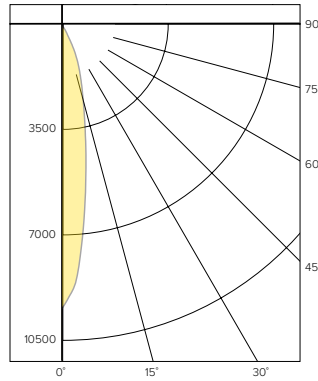
PHOTOMETRY

LTR-4RD-H-ML20L-DM1 / LTR-4RD-T-ML35K8VNR-S

LUMINAIRE DATA

Test No.	20.01331
Description	2000 lm, Very Narrow, 3500K, 80 CRI
Delivered Lumens	2032
Watts	22.4W
Efficacy	91
Mounting	Recessed
Spacing Criterion	0.3
Beam Angle (FWHM)	20

POLAR GRAPH



CANDELA DISTRIBUTION

Degree	Candela
0	9388
5	7360
15	2780
25	1073
35	198
45	20
55	0
65	0
75	0
85	0
90	0

LUMINANCE DATA*

Vertical Angle	Average
45°	3489
55°	0
65°	0
75°	0
85°	0

*Candela/Square Meter

ZONAL LUMEN SUMMARY

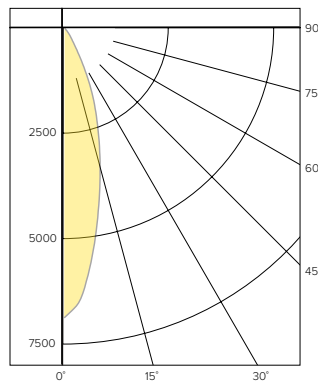
Zone	Lumens	% Luminaire
0-40	2011	99.0
0-60	2032	100.0
0-90	2032	100.0
0-180	2032	100.0

LTR-4RD-H-ML20L-DM1 / LTR-4RD-T-ML35K8NR-S

LUMINAIRE DATA

Test No.	19.00532
Description	2000 lm, Narrow, 3500K, 80 CRI
Delivered Lumens	2238
Watts	22.5W
Efficacy	99.3
Mounting	Recessed
Spacing Criterion	0.4
Beam Angle (FWHM)	29

POLAR GRAPH



CANDELA DISTRIBUTION

Degree	Candela
0	6877
5	6035
15	3284
25	1313
35	260
45	26
55	3
65	1
75	0
85	0
90	0

LUMINANCE DATA*

Vertical Angle	Average
45°	4535
55°	645
65°	292
75°	0
85°	0

*Candela/Square Meter

ZONAL LUMEN SUMMARY

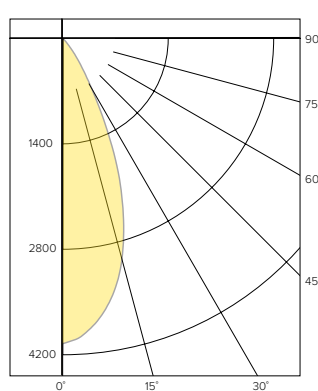
Zone	Lumens	% Luminaire
0-40	2208	98.6
0-60	2237	99.9
0-90	2238	100.0
0-180	2238	100.0

LTR-4RD-H-ML20L-DM1 / LTR-4RD-T-ML35K8MD-S

LUMINAIRE DATA

Test No.	19.00533
Description	2000 lm, Medium, 3500K, 80 CRI
Delivered Lumens	2152
Watts	22.5W
Efficacy	95.6
Mounting	Recessed
Spacing Criterion	0.7
Beam Angle (FWHM)	44

POLAR GRAPH



CANDELA DISTRIBUTION

Degree	Candela
0	4053
5	3893
15	3037
25	1493
35	366
45	34
55	3
65	1
75	0
85	0
90	0

LUMINANCE DATA*

Vertical Angle	Average
45°	5931
55°	645
65°	292
75°	0
85°	0

*Candela/Square Meter

ZONAL LUMEN SUMMARY

Zone	Lumens	% Luminaire
0-40	2113	98.2
0-60	2151	99.9
0-90	2152	100.0
0-180	2152	100.0

LTR-4RD

LITEISTRY 4" ROUND DOWNLIGHT

DATE: _____ LOCATION: _____

TYPE: _____ PROJECT: _____

CATALOG #: _____

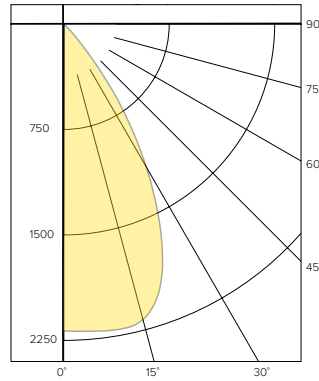
PHOTOMETRY CONTINUED

LTR-4RD-H-ML20L-DM1 / LTR-4RD-T-ML35K8WD-S

LUMINAIRE DATA

Test No.	19.00534
Description	2000 lm, Wide, 3500K, 80 CRI
Delivered Lumens	2059
Watts	22.5W
Efficacy	91.6
Mounting	Recessed
Spacing Criterion	0.9
Beam Angle (FWHM)	61

POLAR GRAPH



CANDELA DISTRIBUTION

Degree	Candela
0	2201
5	2210
15	2051
25	1504
35	692
45	169
55	10
65	3
75	1
85	0
90	0

LUMINANCE DATA*

Vertical Angle	Average
45°	11338
55°	1075
65°	584
75°	477
85°	0

*Candela/Square Meter

ZONAL LUMEN SUMMARY

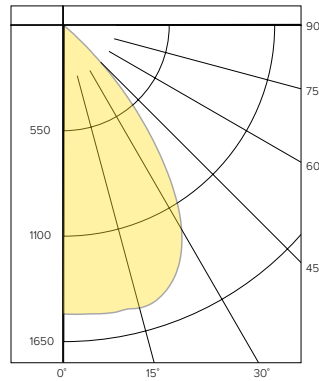
Zone	Lumens	% Luminaire
0-40	1983	96.3
0-60	2056	99.8
0-90	2059	100.0
0-180	2059	100.0

LTR-4RD-H-ML20L-DM1 / LTR-4RD-T-ML35K8XW-S

LUMINAIRE DATA

Test No.	19.00535
Description	2000 lm, Extra Wide, 3500K, 80 CRI
Delivered Lumens	2028
Watts	22.5W
Efficacy	90.2
Mounting	Recessed
Spacing Criterion	1.2
Beam Angle (FWHM)	78

POLAR GRAPH



CANDELA DISTRIBUTION

Degree	Candela
0	1235
5	1252
15	1392
25	1454
35	1010
45	256
55	6
65	2
75	1
85	0
90	0

LUMINANCE DATA*

Vertical Angle	Average
45°	44656
55°	1290
65°	584
75°	231
85°	477

*Candela/Square Meter

ZONAL LUMEN SUMMARY

Zone	Lumens	% Luminaire
0-40	1794	88.5
0-60	2025	99.8
0-90	2028	100.0
0-180	2028	100.0

LUMEN MULTIPLIER

Option	27K8	30K8	35K8	40K8	50K8	27K9	30K9	35K9	40K9
Multiplier	0.94	0.98	1.00	1.01	1.02	0.81	0.84	0.85	0.85

Photometrics are published below at a nominal 3500 Kelvin, 80+ CRI. This table may be used to approximate the lumen values at different Kelvin temperatures. Power consumption would stay the same.

REFLECTOR FINISH MULTIPLIER (Based on Clear (Standard) Color)

Option	Specular (S)	Semi-Specular (SS)	American Matte (MFC)	Softglow (VS)	Softsheen (VSS)
Multiplier	1	1	0.984	0.888	0.938

REFLECTOR COLOR MULTIPLIER (Based on Semi-Specular (SS) Finish)

Option	Clear (Standard)	Champagne Gold (CG)	Black (BL)	Light Wheat (LW)	Pewter (PW)	White Cone (WC)	Black Cone (BC)
Multiplier	1	0.974	0.444	0.861	0.915	0.984	0.442

Multiply FINISH x COLOR to calculate other reflector finish and color combinations. Example: SoftGlow Pewter (VSPW) = 0.888 (VS) x 0.915 (PW) = 0.813

LTR-4RD

LITEISTRY 4" ROUND DOWNLIGHT

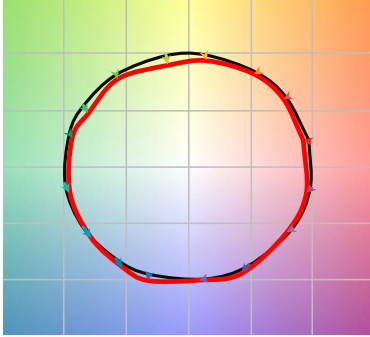
DATE: _____ LOCATION: _____

TYPE: _____ PROJECT: _____

CATALOG #: _____

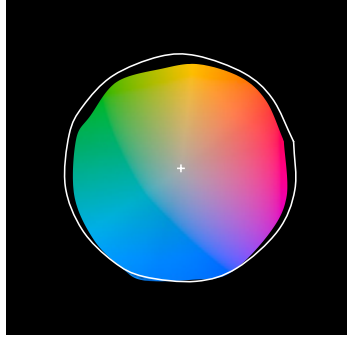
TM-30 DATA

COLOR VECTOR GRAPHIC
3500K, 90 CRI



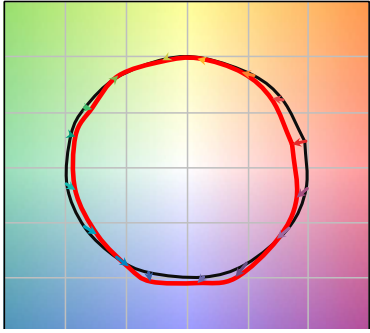
— Reference Illuminant — Test Source

COLOR DISTORTION GRAPHIC
3500K, 90 CRI



TEST RESULTS - 3500K		
Value	80+ CRI	90+ CRI
R_t	84	88
R_g	95	95
CCT (K)	3411	3419
D_{uv}	0.0015	0.0042
x	0.4120	0.4147
y	0.3974	0.4052
CIE R_a	84	93
CIE R_g	11	62

COLOR VECTOR GRAPHIC
3500K, 80 CRI



— Reference Illuminant — Test Source

COLOR DISTORTION GRAPHIC
3500K, 80 CRI





LTR-4RD

LITEISTRY 4" ROUND DOWNLIGHT

DATE: _____ LOCATION: _____

TYPE: _____ PROJECT: _____

CATALOG #: _____

ELECTRICAL DATA

DRIVER DATA		
Input Voltage	120-277 V	347 V
Input Frequency	50/60 Hz	50/60 Hz
Power Factor	≥0.90	≥0.90
THD	<20%	<20%
EMI Filtering (FCC 47 CFR Part 15)	Class A	Class A

* Values for DM1 option shown, values for other dimming options may vary.

WATTAGE DATA		
Lumen Output	Nominal Lumens	Wattage
06L	600	8
10L	1000	12
15L	1500	19
20L	2000	23
25L	2500	28
30L	3000	35
35L	3500	43
40L	4000	52

* Wattage may vary based on configuration and options selected

ADDITIONAL INFORMATION

DIMMING COMPATIBILITY CHART		
Dimming Driver	Manufacturer	Web Link
DM1 /DM01	Lutron DDTV	http://bit.ly/11jSvZg
DM1	Leviton AWRMG-7xx, AWSMG-7xx, AWSMT-7xx	http://bit.ly/1BjN2R9
EDM	Lutron	http://bit.ly/1vtjHAI
2DM	Lutron	http://bit.ly/1S4WjXK

DMX

See instruction sheet on www.prescolite.com for connection & installation information.

Central Inverters

For full fixture output in back-up mode, we recommend you visit www.dual-lite.com for your Central Lighting Inverter options. Please contact your local Hubbell representative for any assistance with proper sizing and loading of your inverter selection. Central lighting inverters must be ordered separately.

LiteGear: www.dual-lite.com/products/litegear_lg_series

LPS Series: www.dual-lite.com/products/lps

ENERGY STAR®

For a list of certified models, click on the ENERGY STAR® MODELS link or visit www.energystar.gov.