

DATE: _____ LOCATION: _____
 TYPE: _____ PROJECT: _____
 CATALOG #: _____

FEATURES

- Uninterrupted ribbon of light; row mounting optional
- Long life 60,000 hour LEDs at L80 for reduced maintenance
- Superior color consistency within a 3-step MacAdam ellipse and greater than 80 CRI
- Available in 2', 4' or 8' lengths
- Optional integral emergency battery pack
- Three lens options as well as less lens (NL)
- Modular replaceable LED boards and driver accessible for future maintenance or upgrades
- Surface mount, wall mount or suspended



CONTROLS TECHNOLOGY



SPECIFICATIONS

CONSTRUCTION

- Housing, wireway, and ends are formed from code-gauge steel
- Housing components act as heat sink for LED heat dissipation
- White painted parts are treated with a five stage phosphate bonding process and finished with high reflectance baked enamel

OPTICS

- Available with or without frosted acrylic lens

INSTALLATION

- Knockouts are provided for electrical access and mounting

ELECTRICAL

- Long-life LEDs are rated for 60,000 hours at L80 lumen maintenance
- Driver options include fixed output for on/off function, step dimming (high/low/off), or continuous 0–10V dimming
- Superior drivers and long-life LEDs provide quality illumination for prolonged service life
- Drivers < 10% THD at 120V, power factor > 0.95

CONTROLS

- Optional SpectraSync™ offers two modes of Tunable White solutions and integrates seamlessly into a variety of control systems
- NX Distributed Intelligence™ provides options for standalone and networked integrated sensor with wired or wireless connectivity for NX system deployments

TECHNOLOGY

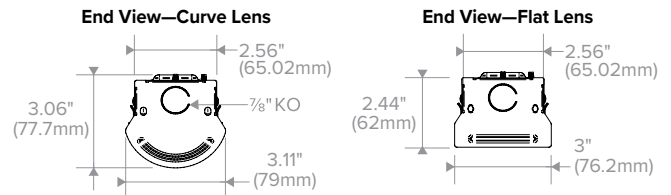
- SpectraSAFE™ is a scalable, cloud-enabled and lighting-based wireless video security solution for interior commercial and industrial applications

CERTIFICATIONS

- IC label is standard for recessed products
- All luminaires are built to UL 1598 and 2108 standards, and bear appropriate cCSAus labels
- Damp Location label standard
- CSA certified to UL 924 standards with battery pack or DTS (Dimming Bypass Module) options

RELATED PRODUCTS

- [Revalume™ Linear Wrap](#)
- [Reverie™ Decorative Low Bay](#)



CERTIFICATIONS (CONTINUED)

- Adheres to LM79, LM80, and TM21 industry standards
- The DTS, Dimming Bypass Module, is for emergency circuit control loads including sensors and wireless systems CSA certified to UL 924. See page 10 for wiring diagram. [Link to Dimming Bypass Module Specification sheet](#)
- This product qualifies as a “designated country construction material” per FAR 52.225-11 Buy American-Construction Materials under Trade Agreements effective 06/01/2020. [See Buy American Solutions](#)

WARRANTY

- 5 year warranty
- See [HLI Standard Warranty](#) for additional information

KEY DATA	
Lumen Range	1377–16,833
Wattage Range	13.5–133.8
Efficacy Range (LPW)	111–142
Reported Life (Hours)	L80–60,000

ORDERING GUIDE

Example: MPS4-40ML-CW-EDU

CATALOG #

MPS			Color Temp			Nominal Lumens ⁴			Lens		Distribution ⁵	
Model	Size ¹	CRI										
MPS MultiPurpose Linear	2' 2'	Blank >80	30	3000K	XW	4' (2700), 8' (5400)	LWHE	2' (2600), 4' (4100), 8' (8200)	C	Curve, Frosted Acrylic	N	Narrow Distribution ⁶
	4' 4'	9 90 ²	35	3500K	XWHE	4' (2500), 8' (5000)	ML	2' (3600), 4' (4800), 8' (9500)	F	Flat, Frosted Acrylic	W	Wide Distribution
	8' 8'		40	4000K	VW	2' (1700), 4' (3400), 8' (6900)	MLHE	4' (4700), 8' (9400)	NL	Less Lens		
			50	5000K	VWHE	4' (3300), 8' (6600)	HL	2' (3800), 4' (6000), 8' (12,000)	CP	Curve, Frosted Polycarbonate		
			2750T	2700K-5000K SpectraSync™ Tunable White ³	MW	2' (2300), 4' (3800), 8' (7700)	HLHE	4' (5700), 8' (11,500)				
			2765T	2700K-6500K SpectraSync™ Tunable White ³	MWHE	2' (2100), 4' (3700), 8' (7400)	VL	4' (7100), 8' (14,200)				
				LW	2' (2500), 4' (4200), 8' (8400)	XL	4' (8400), 8' (17,000)					

Driver	Voltage	Options	Control Options ^{23, 24, 25}
E	Fixed Output	ELL14 Emergency Battery Pack, 10W ^{9, 10, 11}	NX Standalone
ED	0-10V Dimming	ELL14H2 Emergency Battery Pack, 2-Hour Run Time ^{9, 10, 11}	NXS NX, PIR BT Occupancy/Daylight Sensor, Slide Mount ^{26, 28}
ED1	0-10V 1% Dimming	GLR Fast Blow Fuse	NX Networked – Wired
EDD	0-10V Dim-to-Dark	GTD Generator Transfer Device ¹²	NXE NX, Dual SmartPORTs ^{26, 27, 28}
ESD	Step Dimming	DTS Dimming Bypass Module ¹³	NXES NX, PIR BT Occupancy/Daylight Sensor, Slide Mount, Dual SmartPORTs ^{26, 27, 28}
LUTH	Hi-lume 1% EcoSystem LED driver with Soft-on, Fade-to-Black dimming technology ⁷	MPSCE Injection Molded ABS Material Curve Endcap ²³	NX Networked – Wireless
DALIP	DALI Power Bus ⁸	MPSCE-MB Injection Molded ABS Material Curve Endcap, Matte Black	NXSW NX Wireless, PIR BT Occupancy/Daylight Sensor ^{26, 28}
		MPSFE Injection Molded ABS Material Flat Endcap ²³	NXWE NX Wireless Enabled ^{26, 28}
		MPSFE-MB Injection Molded ABS Material Flat Endcap, Matte Black	Third-Party Control Options
		MB Matte Black	ODPG Occupancy and Daylight Sensors w/ Grouping, Phillips SNS200 ^{29, 31}
		ZT ZET Metallic Silver	LVR Lutron VIVE Integral Fixture Control DFCSJ-OEM-RF (RF only) ^{29, 30, 31}
		PAF Painted After Fabrication	LVS Lutron VIVE Integral Fixture Control DFCSJ-OEM-OCC (RF with daylight and occupancy sensing) ^{29, 30, 31}
		SAF SpectraSAFE™ Integrated Surveillance Lighting System ¹⁴	
		MST MASTER fixture that controls one or more SATELLITE fixtures in a continuous row application ^{15, 16, 17, 18, 19, 20, 21}	
		SAT SATELLITE fixture controlled by MASTER fixture in a continuous row application ^{16, 17, 18, 19, 20, 21}	
		INT Intermediate (provides ends with wiring access for continuous row mounting) ^{18, 20, 21, 22}	
		EOR End of Row (provides end wiring access for continuous row mounting) ^{18, 20, 21, 22}	

Accessories

<input type="checkbox"/> S18	18" Stem, Canopy	<input type="checkbox"/> MPSCRK-C	Continuous Row Kit, Curve
<input type="checkbox"/> SS18	18" Swivel Stem—45° Swivel	<input type="checkbox"/> MPSCRK-F	Continuous Row Kit, Flat
<input type="checkbox"/> CM24SCF3-KIT	24" Adjustable Cable Mounting Kit, 3-wire feed ³²	<input type="checkbox"/> MPSWG2	2' Wire Guard
<input type="checkbox"/> CM48SCF3-KIT	48" Adjustable Cable Mounting Kit, 3-wire feed ³²	<input type="checkbox"/> MPSWG4	4' Wire Guard, two Required for 8' Fixture
<input type="checkbox"/> CM24NF-KIT	Single Point Non-Feed Cable Mount with Canopy, Single - 24" ³²	<input type="checkbox"/> MPSCE	Injection Molded ABS Material Curve Endcap
<input type="checkbox"/> CM48NF-KIT	Single Point Non-Feed Cable Mount with Canopy, Single - 48" ³²	<input type="checkbox"/> MPSCE-MB	Injection Molded ABS Material Curve Endcap, Matte Black
<input type="checkbox"/> CSHC	Chain Hanger Assembly	<input type="checkbox"/> MPSFE	Injection Molded ABS Material Flat Endcap
<input type="checkbox"/> MPSZT	Zip Tee Hanger - 1 1/2" Spacer on T-Bar Ceiling	<input type="checkbox"/> MPSFE-MB	Injection Molded ABS Material Flat Endcap, Matte Black
<input type="checkbox"/> MPSTH	Slide Tong Hanger		

Notes:

- For continuous row mounting, see [Continuous Row Mount Example Guide](#) on page 3
- Not available with HE lumen packages
- See [SpectraSync and NX Availability Table](#) on page 6
- High efficacy versions designated with "HE"
- Applicable to lens only
- Only available with Curve, Frosted Acrylic lens
- Not available in VL, XL, HE packages
- DALIP only available when LVS, LVR or ODPG control options are selected
- Delivered Emergency Lumens = ELL14 = 1210 lms
- Not available in 2ft size or with thru wire on XL 4ft and 8ft
- Emergency battery pack max ambient temperature: 25°C
- Only available with fixed output driver
- For emergency circuit control loads including sensors and wireless systems CSA certified to UL 924. Not available with ESD driver option. Universal voltage only. DTS with 2' cannot be combined with Controls or SpectraSync options. See page 10 for wiring diagram
- SpectraSync+NX+SAF can not be configured. Only available with NXE or NXWE. Not available in 347V
- Continuous-Row Options:**
15 MST option not available with INT row position
- 16 Multiple SAT fixtures can be controlled by one MST fixture. Any one SAT fixture can have no more than one connected MST fixture
- 17 NX is supported for this application, consult Brand for use with other controls systems
- 18 Not available with DTS, GTD, ATSD
- 19 Not available with LUTH
- 20 All fixtures in a row must be the same driver type and voltage
- 21 Includes quick-connect wiring harness
- 22 Suspension support required at every fixture coupling; see Mounting Accessories Guide
- NX In-Fixture Control Options:**
23 Standard PAF when this option is chosen
24 Control Options include Injection Molded ABS End Cap
25 Fixtures with Control Options are Dry Location rated only
26 Only available with 0-10V dimming drivers (ED, ED1 & EDD)
27 Not available with surface mounting
28 Not available in 2ft when SpectraSync and SpectraSAFE are chosen
- Third-Party Control Options:**
29 LVS, LVR and ODPG only available with DALIP driver option
30 VIVE is a trademark of Lutron Electronics Co., Inc
31 Not available with SpectraSync (2750T or 2765T)
- Accessory Notes:**
32 See [Columbia Mounting Accessories page](#) for additional options

ORDERING GUIDE (CONTINUED)

CONTINUOUS ROW MOUNT EXAMPLE GUIDE					
Continuous Row Length	MPS4	MPS8	MPSCRK-*	CM**SCF*-KIT	CM**NF-KIT
12' — Option 1	1	1	1	1	1
12' — Option 2	3	0	2	1	1
16' — Option 1	0	2	1	1	1
16' — Option 2	2	1	2	1	2
32' — Option 1	0	4	3	2	1
32' — Option 2	2	3	4	2	1

[Link to Columbia Mounting Accessories page](#)

PRODUCT EXCEPTIONS & DETAILS

Driver options listed below are available for the outputs as shown.

DRIVER AVAILABILITY TABLE — 2'							
	VW	MW	MWHE	LW	LWHE	ML	HL
E	x	x	x	x	x	x	x
ED	x	x	x	x	x	x	x
ED1	x	x	x	x	x	x	x
EDD	x	x		x		x	x
ESD	x	x		x		x	x
LUTH	x	x		x		x	x
347	x	x		x		x	x
DALIP	x	x	x	x	x	x	x

DRIVER AVAILABILITY TABLE — 4' & 8'														
	XW	XWHE	VW	VWHE	MW	MWHE	LW	LWHE	ML	MLHE	HL	HLHE	VL	XL
E	x	x	x	x	x	x	x	x	x	x	x	x	x	x
ED	x	x	x	x	x	x	x	x	x	x	x	x	x	x
ED1	x	x	x	x	x	x	x	x	x	x	x	x	x	x
EDD	x		x		x		x		x		x		x	x
ESD	x		x		x		x		x		x		x	x
347	x		x		x		x		x		x		x	x
LUTH	x		x		x		x		x		x			
DALIP	x	x	x	x	x	x	x	x	x	x	x	x	x	x

TEMPERATURE TABLE (C°) — 4' & 8'												
		80 CRI										
		E/ED/ED1		ESDU		ED347		EDD		LUT		
Size	Lumen Package	Ceiling/Surface Mount	Pendant/TH Mount	Ceiling/Surface Mount	Pendant/TH Mount	Ceiling/Surface Mount	Pendant/TH Mount	Ceiling/Surface Mount	Pendant/TH Mount	Ceiling/Surface Mount	Pendant/TH Mount	
2'	VW	35	40	35	40	35	40	35	40	35	40	
	MW	35	40	35	40	35	40	35	40	35	40	
	LW	35	40	35	40	35	40	35	40	35	40	
	ML	35	40	35	40	35	40	35	40	35	40	
	HL	30	35	30	35	30	35	30	35	30	35	
	XW	35	45	35	45	35	45	30	35	30	35	
4'	VW	35	45	35	45	35	45	30	35	30	35	
	MW	35	45	35	45	35	45	30	35	30	35	
	LW	35	45	35	45	35	45	30	35	30	35	
	ML	35	45	35	45	35	45	30	35	30	35	
	HL	35	40	35	40	35	40	25	30	30	35	
	VL	30	30	30	30	30	30	30	30	—	—	
XL*	25	25	25	25	25	25	25	25	—	—		
8'	XW	35	45	35	45	35	45	30	35	30	35	
	VW	35	45	35	45	35	45	30	35	30	35	
	MW	35	45	35	45	35	45	30	35	30	35	
	LW	35	45	35	45	35	45	30	35	30	35	
	ML	35	45	35	45	35	45	30	35	30	35	
	VL	30	30	30	30	30	30	30	30	—	—	
XL*	25	25	25	25	25	25	25	25	—	—		

*XL not available with thru wire

CONTROLS

NX Distributed Intelligence™ Lighting Controls:

Supports both indoor and outdoor applications in a variety of deployment options- wired, wireless, hybrid. Integrates with and enables a wide array of luminaires including those with SpectraSync™ Color Tuning Technology.



NX INTEGRATED CONTROLS REFERENCE									
NX Option	Sensor	Networkable	Scheduling	Occupancy	Daylight Harvesting	0-10V Dimming	On/off Control	Bluetooth® App Programming	
NX Standalone									
NXS	NXSMP-SMI	No	Yes	Yes	Yes	Yes	Yes	Yes	
NX Networked – Wired									
NXE	N/A	Yes	Yes	No	No	Yes	Yes	Requires NXBTC/R ¹	
NXES	NXSMP-SMI	Yes	Yes	Yes	Yes	Yes	Yes	Yes	
NX Networked – Wireless									
NXSW	NXSMP-SMI	Yes	Yes	Yes	Yes	Yes	Yes	Yes	
NXWE	N/A	Yes	Yes	No	No	Yes	Yes	No ²	

1 NXBTC/R needs to be plugged into an available NX SmartPORT™ on the fixture network
 2 To program NXWE option, need to consult factory. If connected to an area controller, programming can be done from that

Philips EasySense Controls ODPG Sensor:



- Occupancy sensing, daylight harvesting, task tuning and grouping in one device
- Standalone control or grouping to wireless switches¹
- Uses Philips field apps for on site commissioning^{2,3}
- Ability to create scenes for various room configurations
- Cost-effective solution for energy-savings and code-compliance strategies
- DLC® Qualified: Listed on the QPL for Networked Lighting Controls. Please refer to the DLC website for specific product qualifications at www.designlights.org

1 Wireless switches only compatible with ODPG Philips EasySense
 2 [See link to Philips commissioning](#)
 3 Requires android device or IR dongle. See links for [phone compatibility](#) and [IR dongle](#)

Wireless Switch Accessories¹

- [PESR-WH](#) EasySense compatible wireless single rocker switch, white
- [PEDR-WH](#) EasySense compatible wireless dual rocker switch, white



SPECTRASAFE

SpectraSAFE™ Integrated Surveillance Lighting System

Technical Features

- High resolution 1080p full HD camera
- 2.8mm lens / 140° field of view
- IR emitter for low / no-light conditions
- [Multiple wiring configurations available](#)
- Supports 2-way audio communication
- Supports 2.4GHz WPA-PSK/WPA2-PSK Wi-Fi
- Data encrypted using AES 256 standard
- Low power consumption (2-5W)
- Transmissions secured using Open TLS / SSL

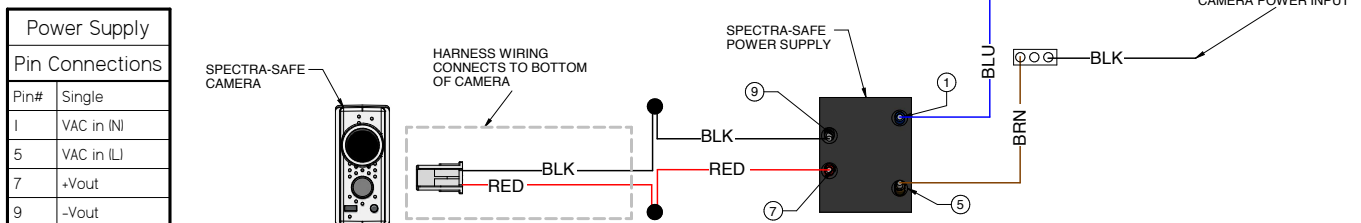


Note: Camera and end cap add 2.2" to the overall length.

Software & Support

- Free Android, iOS and web-based app
- Versatile and supports multiple applications
- Multi-tenant web-based camera application
- Phone and in-app chat technical support
- Scalable cloud services and video storage
- Supported by a 5-year warranty

SPECTRASAFE WIRING DIAGRAM



Power Supply	
Pin Connections	
Pin#	Single
1	VAC in (N)
5	VAC in (L)
7	+Vout
9	-Vout

CONTROLS (CONTINUED)

SpectraSync™ Color Tuning Technology:

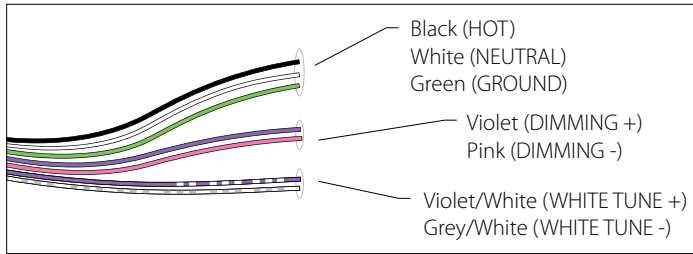
Control your space based on the needs of the application, specific activities throughout the day and preferences of the occupants with distinct SpectraSync™ Color Tuning Technologies.



SPECTRASync COLOR TUNING TECHNOLOGY		
Mode	Kelvin Range	Description
Tunable White	2700K–5000K 2700K–6500K	Offers users the ability to tailor CCT to their personal preference, enhancing task visibility, material and colors or the aesthetics of the space

SpectraSync Tunable White

Available in two options: 2750T (2700K–5000K) or 2765T (2700K–6500K). Requires two 0–10V controllers, one for intensity and one for CCT. Minimum 5% dimming.

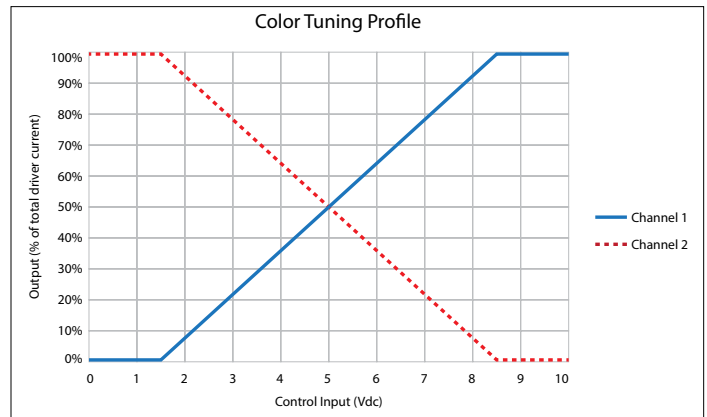


SpectraSync Tunable White luminaires are provided with two 0–10V circuits. The violet and pink circuit is for wiring to any qualified 0–10V controller for dimming. The violet/white and grey/white circuit is for wiring to any qualified 0–10V controller for Tunable White CCT control.

Controller Manufacturer Data

SpectraSync Tunable White was designed to be used with sinking style dimmers (provided by others) and is compatible with:

- Hubbell Control Solutions (HCS): NX Distributed Intelligence™ Room Controllers (NXRC) and In-fixture Controllers (NXFM)
- Lutron: DDTV, DVSTV, and NFTV dimmers
- Wattstopper: ADF120277 and CD4BL (Titan) dimmers



To enable scheduling and for use with NX wall control preset stations please refer to Hubbell Control Solutions NX SpectraSync technical sheet.

SPECTRASync™ AND NX AVAILABILITY TABLE



Size	Lumen package	Only With 80 CRI No Battery Pack			Only With 80 CRI With Battery Pack		
		CTC	NX	CTC+NX	CTC	NX	CTC+NX
2ft	VW	Y	Y	N	—	—	—
	MW	Y	Y	N	—	—	—
	LW	Y	Y	N	—	—	—
	ML	N	Y	N	—	—	—
	HL	N	Y	N	—	—	—
4ft	XW	Y	Y	Y	Y	Y	Y
	VW	Y	Y	Y	Y	Y	Y
	MW	Y	Y	Y	Y	Y	Y
	LW	Y	Y	Y	Y	Y	Y
	ML	Y	Y	Y	Y	Y	Y
	HL	Y	Y	Y	Y	Y	Y
	VL	N	Y	N	N	Y	N
8ft	XL	N	Y	N	N	Y	N
	XW	Y	Y	Y	Y	Y	Y
	VW	Y	Y	Y	Y	Y	Y
	MW	N	Y	N	N	Y	N
	LW	N	Y	N	N	Y	N
	ML	N	Y	N	N	Y	N
	HL	N	Y	N	N	Y	N

DELIVERED LUMENS

STANDARD EFFICACY PERFORMANCE TABLE						
FIXTURE	COLOR	LENS	DISTRIBUTION	LUMENS	INPUT WATTS	LPW
MPS2-VW	3500K	Curve	Wide	1659	13.8	120
			Narrow	1597	13.5	118
		Flat	Wide	1584	13.5	117
		No Lens		1724	13.8	125
	4000K	Curve	Wide	1681	13.8	122
			Narrow	1618	13.5	120
Flat		Wide	1604	13.5	119	
	No Lens		1746	13.8	127	
MPS2-MW	3500K	Curve	Wide	2201	18.2	121
			Narrow	2092	17.8	118
		Flat	Wide	2076	17.8	117
		No Lens		2287	18.2	126
	4000K	Curve	Wide	2229	18.2	122
			Narrow	2119	17.8	119
Flat		Wide	2102	17.8	118	
	No Lens		2316	18.2	127	
MPS2-LW	3500K	Curve	Wide	2444	20.4	120
			Narrow	2328	19.9	117
		Flat	Wide	2309	19.9	116
		No Lens		2540	20.4	124
	4000K	Curve	Wide	2475	20.4	121
			Narrow	2358	19.9	118
Flat		Wide	2338	19.9	118	
	No Lens		2572	20.4	126	
MPS2-ML	3500K	Curve	Wide	3452	29	119
			Narrow	3447	28.8	120
		Flat	Wide	3414	28.8	119
		No Lens		3587	29	124
	4000K	Curve	Wide	3496	29	121
			Narrow	3491	28.8	121
Flat		Wide	3458	28.8	120	
	No Lens		3632	29	125	
MPS2-HL	3500K	Curve	Wide	3655	31.7	115
			Narrow	3707	31.5	118
		Flat	Wide	3678	31.5	117
		No Lens		3797	31.7	120
	4000K	Curve	Wide	3701	31.7	117
			Narrow	3754	31.5	119
Flat		Wide	3725	31.5	118	
	No Lens		3846	31.7	121	
MPS4-XW	3500K	Curve	Wide	2574	20	129
			Narrow	2574	20	129
		Flat	Wide	2463	20	123
		No Lens		2674	20	134
	4000K	Curve	Wide	2606	20	130
			Narrow	2574	20	129
Flat		Wide	2494	20	125	
	No Lens		2708	20	135	
MPS4-VW	3500K	Curve	Wide	3279	26.7	123
			Narrow	3152	26.5	119
		Flat	Wide	3134	26.5	118
		No Lens		3450	26.7	129
	4000K	Curve	Wide	3321	26.7	124
			Narrow	3192	26.5	120
Flat		Wide	3174	26.5	120	
	No Lens		3564	26.7	133	
MPS4-MW	3500K	Curve	Wide	3656	30.4	120
			Narrow	3511	30.1	117
		Flat	Wide	3491	30.1	116
		No Lens		3847	30.4	127
	4000K	Curve	Wide	3702	30.4	122
			Narrow	3556	30.1	118
Flat		Wide	3535	30.1	117	
	No Lens		3974	30.4	131	
MPS4-LW	3500K	Curve	Wide	4043	34.4	118
			Narrow	4094	32.5	126
		Flat	Wide	4072	32.5	125
		No Lens		4255	34.4	124
	4000K	Curve	Wide	4095	34.4	119
			Narrow	4147	32.5	128
Flat		Wide	4124	32.5	127	
	No Lens		4395	34.4	128	

DELIVERED LUMENS (CONTINUED)

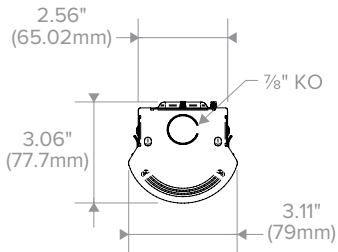
STANDARD EFFICACY PERFORMANCE TABLE						
FIXTURE	COLOR	LENS	DISTRIBUTION	LUMENS	INPUT WATTS	LPW
MPS4-ML	3500K	Curve	Wide	4556	40.1	114
			Narrow	4649	37.7	123
		Flat	Wide	4625	37.8	122
		No Lens		4794	40.1	120
	4000K	Curve	Wide	4614	40.1	115
			Narrow	4709	37.7	125
Flat		Wide	4684	37.8	124	
	No Lens		4952	40.1	123	
MPS4-HL	3500K	Curve	Wide	5760	49.5	116
			Narrow	5781	49.4	117
		Flat	Wide	5741	49.4	116
		No Lens		6061	49.5	122
	4000K	Curve	Wide	5833	49.5	118
			Narrow	5855	49.4	119
Flat		Wide	5814	49.4	118	
	No Lens		6261	49.5	126	
MPS4-VL	3500K	Curve	Wide	6769	54.1	125
			Narrow	6675	54.1	123
		Flat	Wide	6637	54.1	123
		No Lens		7122	54.1	132
	4000K	Curve	Wide	6855	54.1	127
			Narrow	6760	54.1	125
Flat		Wide	6722	54.1	124	
	No Lens		7357	54.1	136	
MPS4-XL	3500K	Curve	Wide	8045	66.5	121
			Narrow	7878	66.8	118
		Flat	Wide	7813	66.9	117
		No Lens		8466	66.5	127
	4000K	Curve	Wide	8148	66.5	123
			Narrow	7979	66.8	119
Flat		Wide	7913	66.9	118	
	No Lens		8745	66.5	132	
MPS8-XW	3500K	Curve	Wide	5147	40	129
			Narrow	4939	39.8	124
		Flat	Wide	4925	40	123
		No Lens		5348	40	134
	4000K	Curve	Wide	5213	40	130
			Narrow	5002	39.8	126
Flat		Wide	4988	40	125	
	No Lens		5416	40	135	
MPS8-VW	3500K	Curve	Wide	6558	53.4	123
			Narrow	6303	53	119
		Flat	Wide	6269	53	118
		No Lens		6814	53.4	128
	4000K	Curve	Wide	6642	53.4	124
			Narrow	6384	53	120
Flat		Wide	6349	53	120	
	No Lens		6901	53.4	129	
MPS8-MW	3500K	Curve	Wide	7311	60.8	120
			Narrow	7022	60.2	117
		Flat	Wide	6981	60.2	116
		No Lens		7596	60.8	125
	4000K	Curve	Wide	7405	60.8	122
			Narrow	7112	60.2	118
Flat		Wide	7071	60.2	117	
	No Lens		7693	60.8	127	
MPS8-LW	3500K	Curve	Wide	8087	68.8	118
			Narrow	8189	65	126
		Flat	Wide	8144	65	125
		No Lens		8402	68.8	122
	4000K	Curve	Wide	8190	68.8	119
			Narrow	8293	65	128
Flat		Wide	8248	65	127	
	No Lens		8510	68.8	124	
MPS8-ML	3500K	Curve	Wide	9111	80.2	114
			Narrow	9298	75.4	123
		Flat	Wide	9250	75.6	122
		No Lens		9466	80.2	118
	4000K	Curve	Wide	9227	80.2	115
			Narrow	9417	75.4	125
Flat		Wide	9368	75.6	124	
	No Lens		9587	80.2	120	

DELIVERED LUMENS (CONTINUED)

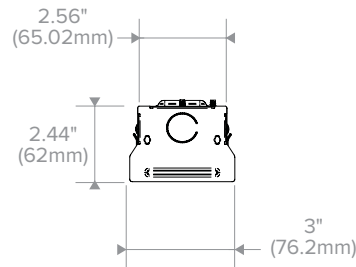
STANDARD EFFICACY PERFORMANCE TABLE						
FIXTURE	COLOR	LENS	DISTRIBUTION	LUMENS	INPUT WATTS	LPW
MPS8-HL	3500K	Curve	Wide	11520	99	116
			Narrow	11562	98.8	117
		Flat	Wide	11481	98.8	116
	4000K	No Lens		11969	99	121
		Curve	Wide	11667	99	118
			Narrow	11710	98.8	119
		Flat	Wide	11628	98.8	118
		No Lens		12122	99	122
MPS8-VL	3500K	Curve	Wide	13537	108.2	125
			Narrow	13350	108.2	123
		Flat	Wide	13275	108.2	123
	4000K	No Lens		14065	108.2	130
		Curve	Wide	13710	108.2	127
			Narrow	13521	108.2	125
		Flat	Wide	13444	108.2	124
		No Lens		14245	108.2	132
MPS8-XL	3500K	Curve	Wide	16091	133	121
			Narrow	15757	133.6	118
		Flat	Wide	15626	133.8	117
	4000K	No Lens		16718	133	126
		Curve	Wide	16296	133	123
			Narrow	15958	133.6	119
		Flat	Wide	15826	133.8	118
		No Lens		16932	133	127

DIMENSIONS

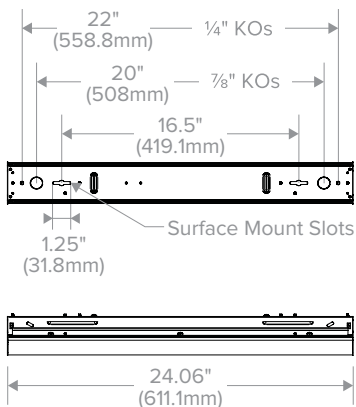
MPS END View - Curve Lens



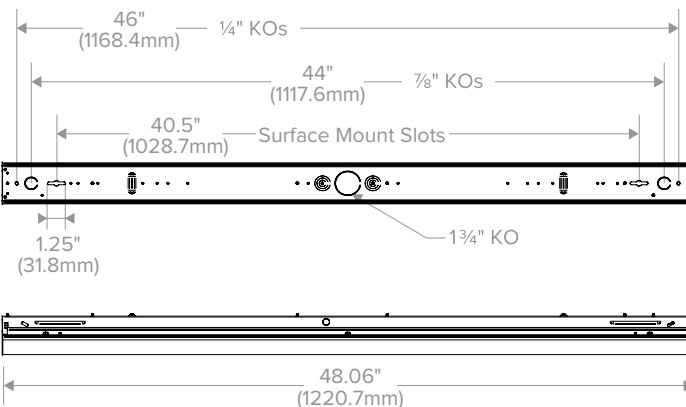
MPS END View - FLAT Lens



MPS 2' Dimensions

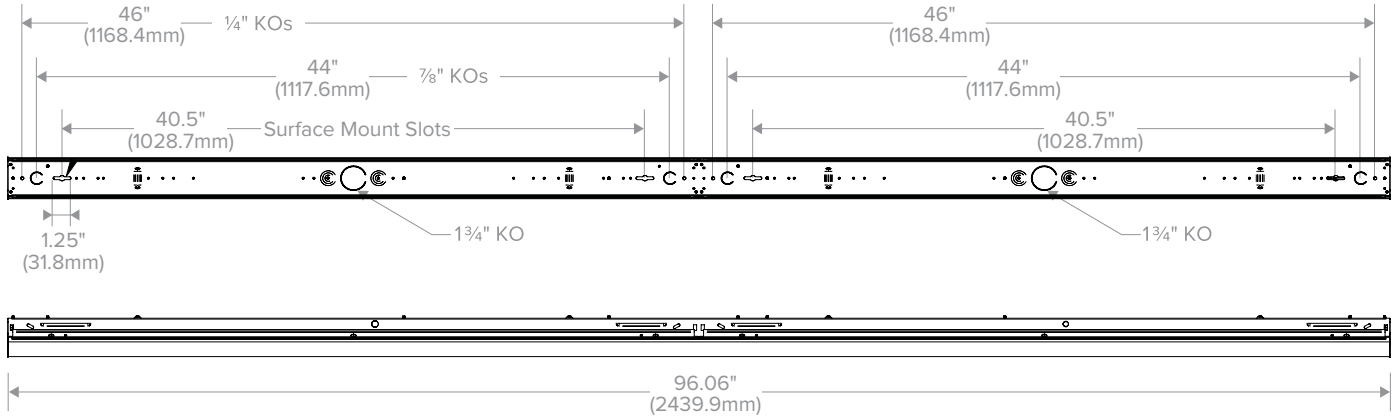


MPS 4' Dimensions



DIMENSIONS (CONTINUED)

MPS 8' Dimensions



PHOTOMETRY

MPS4-40ML-CN-EDU

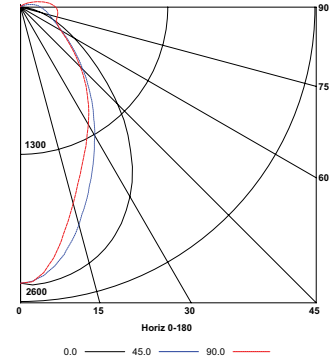
LUMINAIRE DATA

Test No.	19735
Description	MultiPurpose Linear, Narrow, LED 4ft, Frosted Linear Prisms Lens
Delivered Lumens	4742
Watts	37.70
Efficacy	126
Mounting	Surface
Spacing Criterion	0° = 1.18 90° = 1.77

ZONAL LUMEN SUMMARY

Zone	Lumens	% Luminaire
0-30	1542	32.5
0-40	2326	49.1
0-60	3518	74.2
0-90	4385	92.5
0-180	4742	100

POLAR GRAPH



MPS4-40ML-CW-EDU

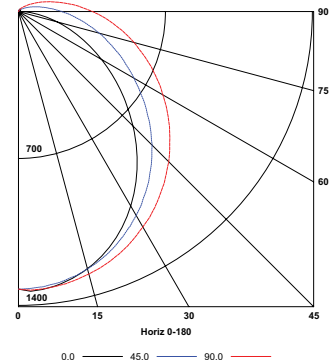
LUMINAIRE DATA

Test No.	19600
Description	MultiPurpose Linear, Wide, LED 4ft, Frosted Linear Prisms Lens
Delivered Lumens	4615
Watts	40.10
Efficacy	115
Mounting	Surface
Spacing Criterion	0° = 1.20 90° = 1.33

ZONAL LUMEN SUMMARY

Zone	Lumens	% Luminaire
0-30	1029	22.3
0-40	1688	36.6
0-60	3019	65.4
0-90	4248	92
0-180	4615	100

POLAR GRAPH



PHOTOMETRY (CONTINUED)

MPS4-40ML-FW-EDU

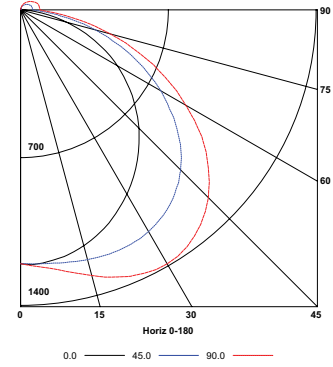
LUMINAIRE DATA

Test No.	19652
Description	MultiPurpose Linear, Wide, LED 4ft, Frosted Linear Prisms Lens
Delivered Lumens	4685
Watts	37.80
Efficacy	124
Mounting	Surface
Spacing Criterion	0° = 1.24 90° = 1.67

ZONAL LUMEN SUMMARY

Zone	Lumens	% Luminaire
0-30	1026	21.9
0-40	1756	37.5
0-60	3324	70.9
0-90	4435	94.7
0-180	4685	100

POLAR GRAPH



ADDITIONAL INFORMATION

DTS WIRING DIAGRAM (0-10V DIMMING DRIVER SHOWN)

