

LIFE-SAFETY INFORMATION

APPLICABLE CODES		
NFPA 101 LIFE-SAFETY CODE 2015		
OCCUPANCY TYPE(S) AND CHAPTER(S)		
BUSINESS (CHAPTER 38)		
MULTIPLE, MIXED, OR SEPARATE OCCUPANCY (REFERENCE CHAPTER 6)		
N/A		
OCCUPANT LOAD FACTOR (REFERENCE TABLE 7.3.1.2)		
EXISTING BLDG	7,480 S.F.	100 GROSS S.F. / OCCUPANT 74 OCCUPANTS
ADDITION	6,948 S.F.	100 GROSS S.F. / OCCUPANT 69 OCCUPANTS
CLASSIFICATION OF HAZARD OF CONTENTS		
(REFERENCE: OCCUPANCY CHAPTER AND 6.2.2. SPECIFY LOW, ORDINARY, OR HIGH)		
CONSTRUCTION TYPE(S) (REFERENCE: CHAPTERS, TABLE A.8.2.1.2 AND COMMENTARY TABLE B.1 IN HANDBOOK)		
EXISTING CONSTRUCTION = II (200); NEW CONSTRUCTION = III (200)		
MINIMUM EXIT SEPARATION DISTANCE FOR REMOTELY LOCATED EXITS		
(REFERENCE: SECTION 7.5; SPECIFY 1/2 OR 1/3 DIAGONAL DISTANCE OF AREA SERVED)		
1/2 DIAGONAL =	114.16ft / 2 = 57.08 ft	ACTUAL = 59.11 ft
MAXIMUM DEAD-END CORRIDORS (REFERENCE: OCCUPANCY CHAPTER AND TABLE A.7.6)		
NEW CONSTRUCTION =	20 FT	EXISTING CONSTRUCTION = 50 FT
MAXIMUM COMMON PATH OF TRAVEL DISTANCE (REFERENCE: OCCUPANCY CHAPTER AND TABLE A.7.6)		
NEW CONSTRUCTION =	75 FT	EXISTING CONSTRUCTION = 75 FT
MAXIMUM TRAVEL DISTANCE TO EXITS (REFERENCE: OCCUPANCY CHAPTER AND TABLE A.7.6)		
NEW CONSTRUCTION =	200 FT	EXISTING CONSTRUCTION = 200 FT
EXTINGUISHMENT REQUIREMENTS		
NONE REQUIRED		
DETECTION, ALARM, AND COMMUNICATION SYSTEMS		
NONE REQUIRED		
ALLOWABLE HEIGHT AND BUILDING AREA		
PER IBC EQUIVALENT CONSTRUCTION TYPE		

BUILDING CODE INFORMATION

APPLICABLE CODES		
IBC 2015		
BUSINESS GROUP B (IBC 2012 CHAPTER 13)		
OCCUPANT LOAD CALCULATIONS (TABLE 1004.1.1)		
EXISTING BLDG	7,480 S.F.	100 GROSS S.F. / OCCUPANT 74 OCCUPANTS
ADDITION	6,948 S.F.	100 GROSS S.F. / OCCUPANT 69 OCCUPANTS
CONSTRUCTION TYPE(S) (TABLE 504)		
EXISTING CONSTRUCTION = II; NEW CONSTRUCTION = III (SECTION 504)		
ALLOWABLE HEIGHT AND BUILDING AREA LIMITED BY TYPE OF CONSTRUCTION		
MAXIMUM ALLOWABLE HEIGHT (TABLE 504.3a)	NON-SPRINKLED	55 FT
MAXIMUM ALLOWABLE AREA IN SQUARE FEET (SECTION 503, 506 & 507, TABLE 503)	NON-SPRINKLED	19,000 S.F.
MAXIMUM AREA OF EXTERIOR WALL OPENINGS BASED ON FIRE SEPARATION DISTANCE AND DEGREE OF OPENING PROTECTION	NORTH FACE OF BUILDING IS 15 FT FROM PROPERTY LINE. IBC TABLE 105.8 ALLOW 15% OF SURFACE AREA TO HAVE UNPROTECTED OPENINGS.	SURFACE AREA IS 1010 S.F. X 15% = 151.5 S.F. UNPROTECTED OPENINGS
	WINDOWS = 12 S.F. X 4 = 48 S.F. UNPROTECTED OPENINGS	

WIND SPEED DESIGN REQUIREMENTS

THIS BUILDING SHALL BE DESIGNED WITH IBC SEC 1609 AS A FULLY ENCLOSED BLDG USING THE FOLLOWING INFORMATION:

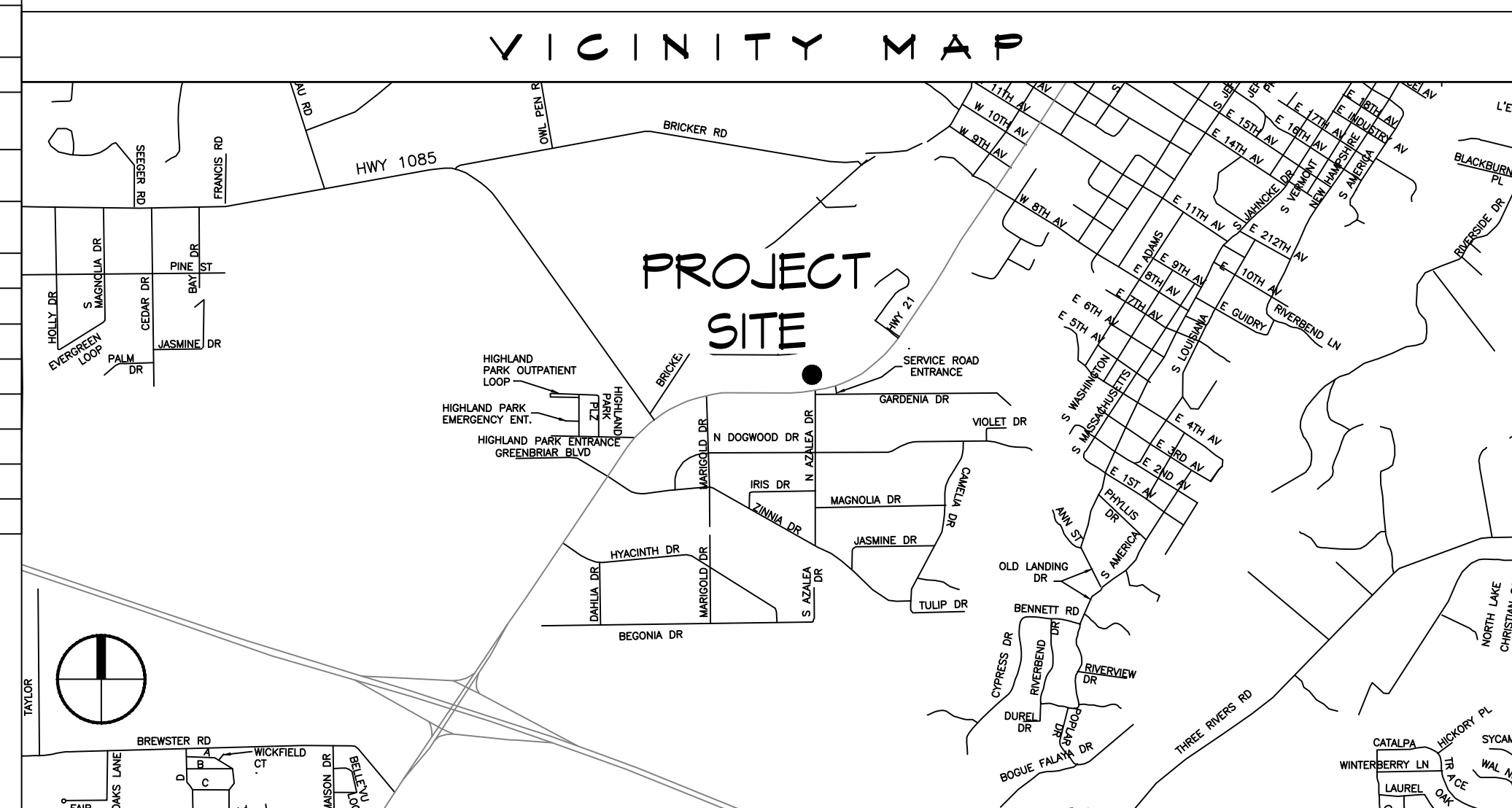
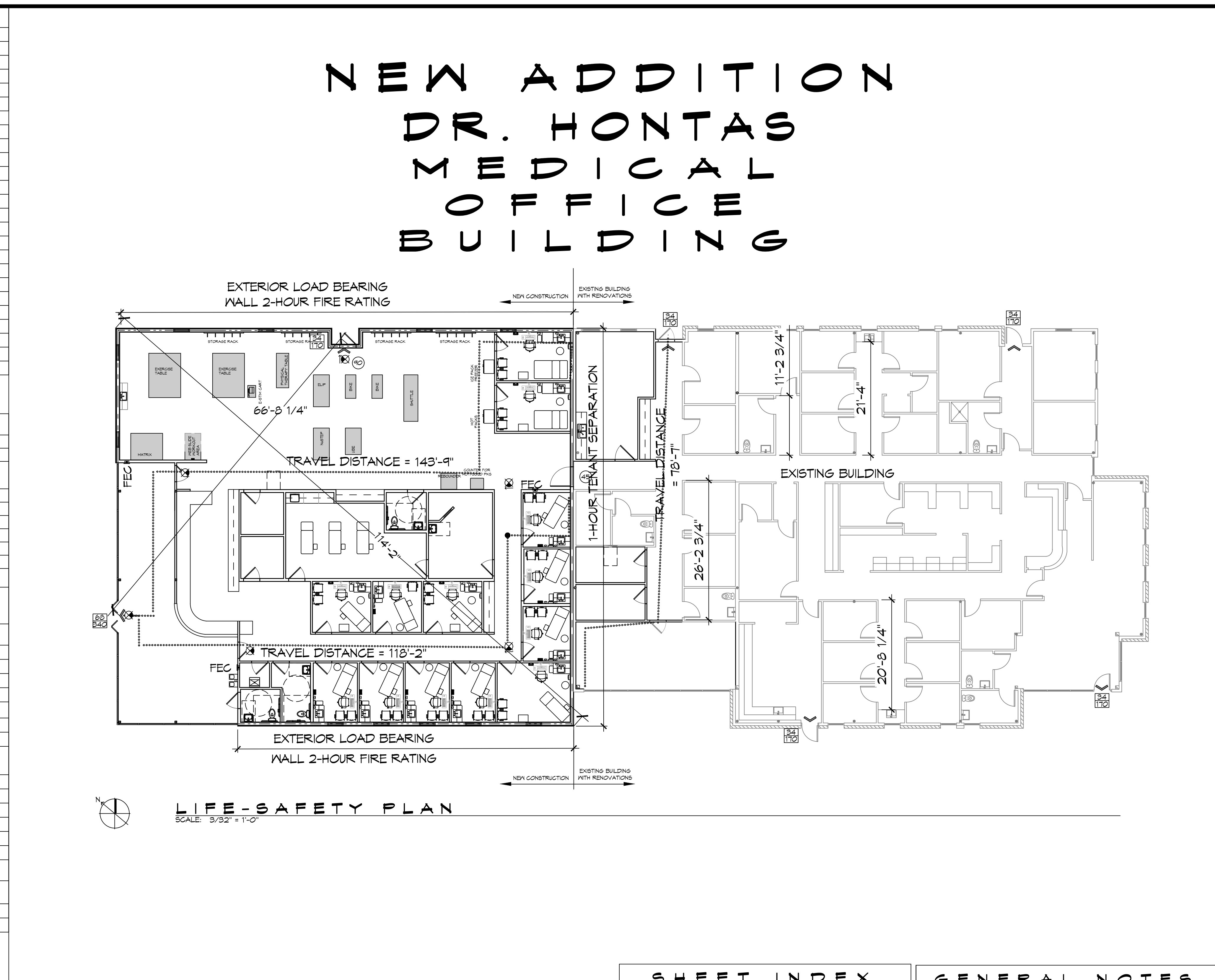
WIND DESIGN DATA:			
DETERMINATION OF WIND LOADS SHALL BE IN ACCORDANCE WITH IBC SEC 1609.3 (1), (2), OR (3) DEPENDING ON THE RISK CATEGORY			
WIND SPEED V_{ult} (3 SECOND GUST) =	131 MPH (IBC FIG 1609.3(1))		
NOMINAL DESIGN WIND SPEED V_{std} =	102 MPH ($V_{ult} \times (0.6)^{1/2}$)		
RISK CATEGORY:	CATEGORY II BLDG	SURFACE ROUGHNESS =	C
TOPOGRAPHIC FACTOR =	1	EXPOSURE =	C
INTERNAL PRESSURE COEFFICIENT (ASCE 7-10 TABLE 26.11-1):	+ 0.10		
COMPONENTS AND CLADDING	+19.7 PSF		-22.8 PSF
LIVE LOADS (IBC SEC 1607 & TABLE 1607.1)			
OFFICE LOBBIES & CORRIDORS 1ST FLOOR	100 PSF		
OFFICES	50 PSF		
ROOF LIVE LOADS	20 PSF UNIFORM, 300 LB CONCENTRATED		
SNOW LOADS (IBC SEC 1608):			
GROUND SNOW LOAD (IBC FIG 1608.2):	5 PSF		

FLOOD ZONE INFORMATION

22103G0305F EFF. 4/30/2008			
FLOOD ZONE:	X	BASE FLOOD ELEVATION	N/A

LIFE-SAFETY LEGEND

SYMBOL	DESCRIPTION
	EXITS
	DOOR FIRE RATING (MINUTES)
	DOOR WIDTH/EGRESS CAPACITY
	EXIT LIGHT
	FIRE EXTINGUISHER AND CABINET
	FIRE EXTINGUISHER IV WALL MTD BRACKET
	COMMON PATH OF TRAVEL
	TRAVEL DISTANCE
	DECISION POINT
	TWO-HOUR FIRE RATED PARTITION
	ONE-HOUR FIRE RATED PARTITION



SHEET INDEX

SHEET #	SHEET TITLE	REVISION / DATE
G101	GENERAL INFORMATION SHEET	
G102	ADA INFORMATION	
C101	SITE PLAN	
C102	SITE GRADING AND DRAINAGE PLAN	
C103	PAVING PLAN	
C104	SITE EROSION CONTROL PLAN	
S101	FOUNDATION PLAN	
S201	STRUCTURAL FRAMING PLAN	
S202	FRAMING DETAILS	
D101	DEMO PLAN	
A101	RENOVATIONS AND NEW FLOOR PLAN	
A102	EXTERIOR ELEVATIONS	
A103	ROOF PLAN	
A104	PARTITION TYPES & STOREFRONT GLASS	
A105	REFLECTED CEILING PLAN	
P101	PLUMBING PLAN AND RISER DIAGRAM	
M101	MECHANICAL PLAN	
E101	POWER PLAN AND PANEL SCHEDULE	
E102	LIGHTING PLAN	

- ### GENERAL NOTES
- ALL MATERIALS AND WORK, INCIDENTAL TO THE CONSTRUCTION OF THIS PROJECT, SHALL CONFORM TO ALL GOVERNING CODES, AND REGULATIONS OF AGENCIES IN AUTHORITY.
 - CONTRACTOR SHALL PROVIDE ALL PUBLIC PROTECTIONS NECESSARY AS REQUIRED BY LAW.
 - THE DRAWINGS, SPECIFICATIONS AND ANY SUBSEQUENTLY ISSUED ADDENDA, AMENDMENTS OR SUCH CHANGE ORDERS APPROVED BY THE OWNER AND THE CONTRACTOR ARE PART OF THESE CONTRACT DOCUMENTS.
 - CONTRACTOR SHALL WARRANT ALL WORK FOR ONE (1) YEAR FROM THE DATE OF SUBSTANTIAL COMPLETION UNLESS SPECIFICALLY DIRECTED IN OTHER DRAWINGS, SPECIFICATIONS OR SUBSEQUENTLY ISSUED ADDENDA OR AMENDMENTS.
 - DO NOT SCALE DRAWINGS.** CONSULT WITH THE ARCHITECT REGARDING ANY ITEMS IN THE CONTRACT DOCUMENTS THAT REQUIRE CLARIFICATION.
 - TRASH SHALL BE REMOVED FROM THE SITE NOT LESS THAN TWICE MONTHLY.
 - THE GENERAL CONTRACTOR SHALL VERIFY EXISTING CONDITIONS PRIOR TO COMMENCING WORK AND REPORT ANY AND ALL DISCREPANCIES TO THE ARCHITECT.
 - CONTRACTOR VEHICLES AND EQUIPMENT NECESSARY FOR CONSTRUCTION MAY BE PARKED ON THE SITE. OTHER VEHICLES PARKED ON THE SITE REQUIRE THE OWNER'S PERMISSION.
 - NAMING A CERTAIN BRAND, MAKE OR MANUFACTURER IS TO DESIGNATE THE GENERAL STYLE, TYPE, CHARACTER AND QUALITY STANDARD OF THE PRODUCT DESIRED. SUBSTITUTION REQUESTS MUST BE SUBMITTED PRIOR TO BIDDING.
 - ALL MATERIALS/EQUIPMENT SHALL BE INSTALLED PER MANUFACTURER'S RECOMMENDATIONS. WORK NOT CONSISTENT WITH MANUFACTURER'S RECOMMENDATIONS WILL BE REJECTED BY OWNER/ARCHITECT.

DAMMON

ENGINEERING, INC.

LOUISIANA & MISSISSIPPI

www.dammonengineering.com
info@dammonengineering.com
Phone: 985.649.5832

DATE	4/27/2022
DESCRIPTION	1 ADDED EXAM ROOMS 12 & 13



NEW ADDITION HONTAS MOB

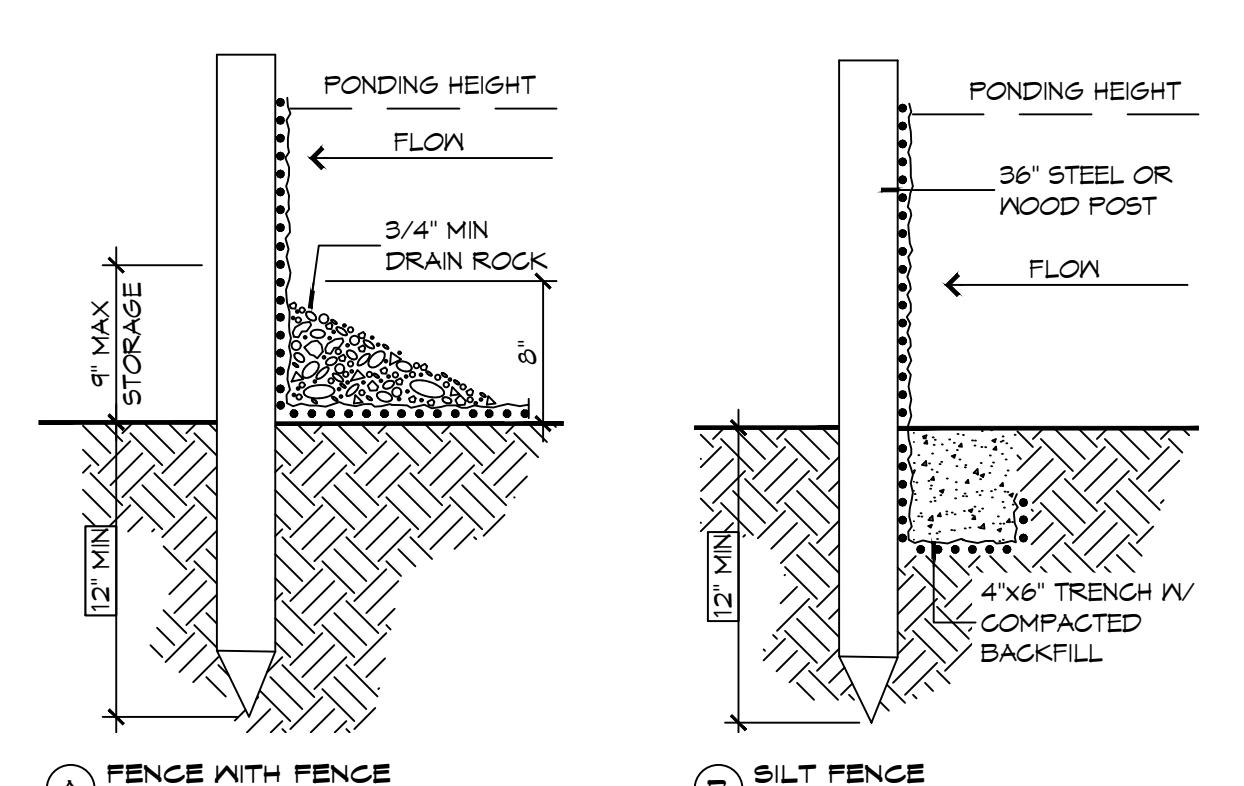
11211 LA HWY 21
COVINGTON, LA 70438
JOB No: 2443
DATE: 05-06-2022
DRAWN BY: GKD
CHECKED BY: DDP

SHEET TITLE:
GENERAL INFORMATION SHEET

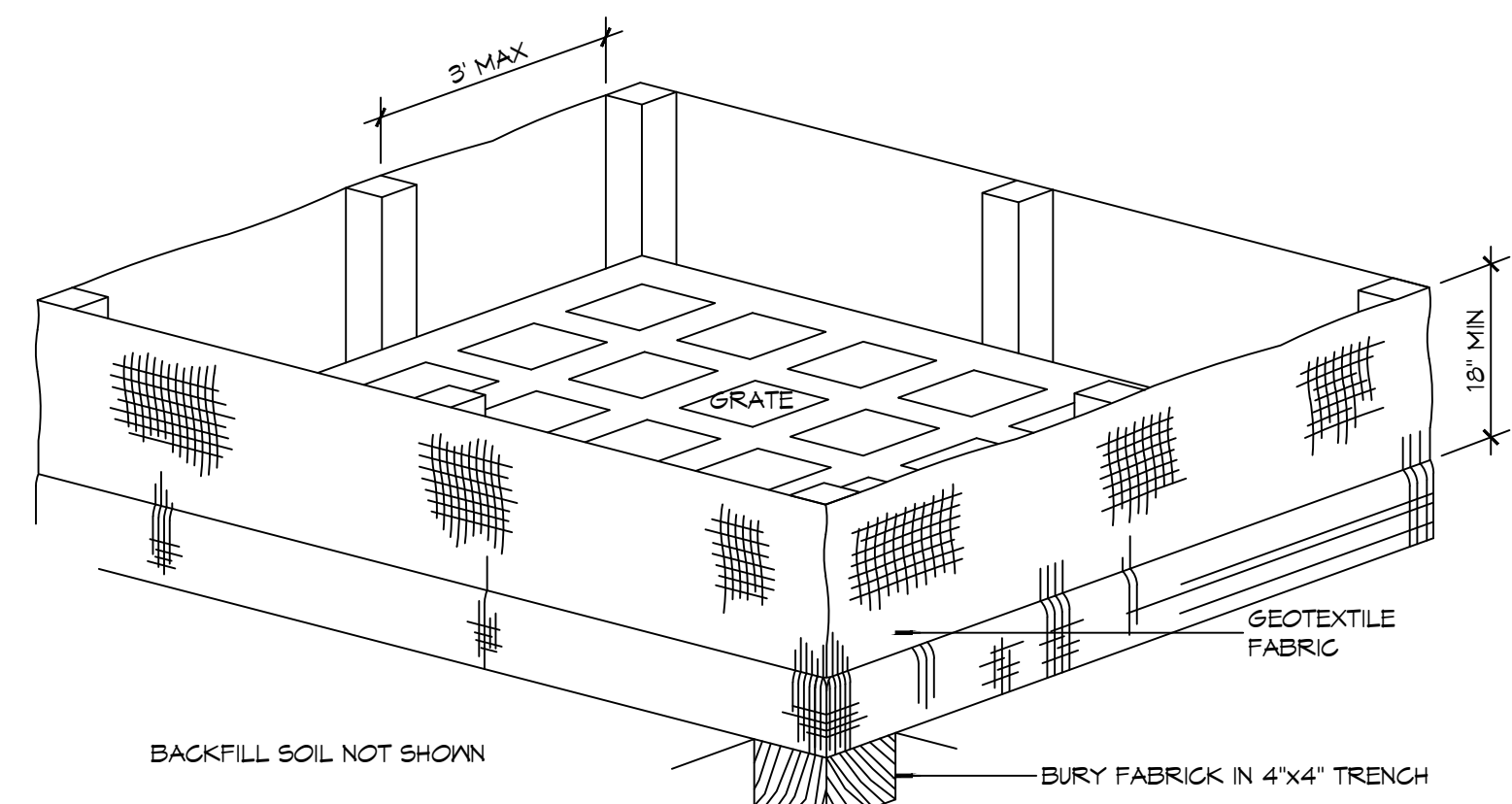
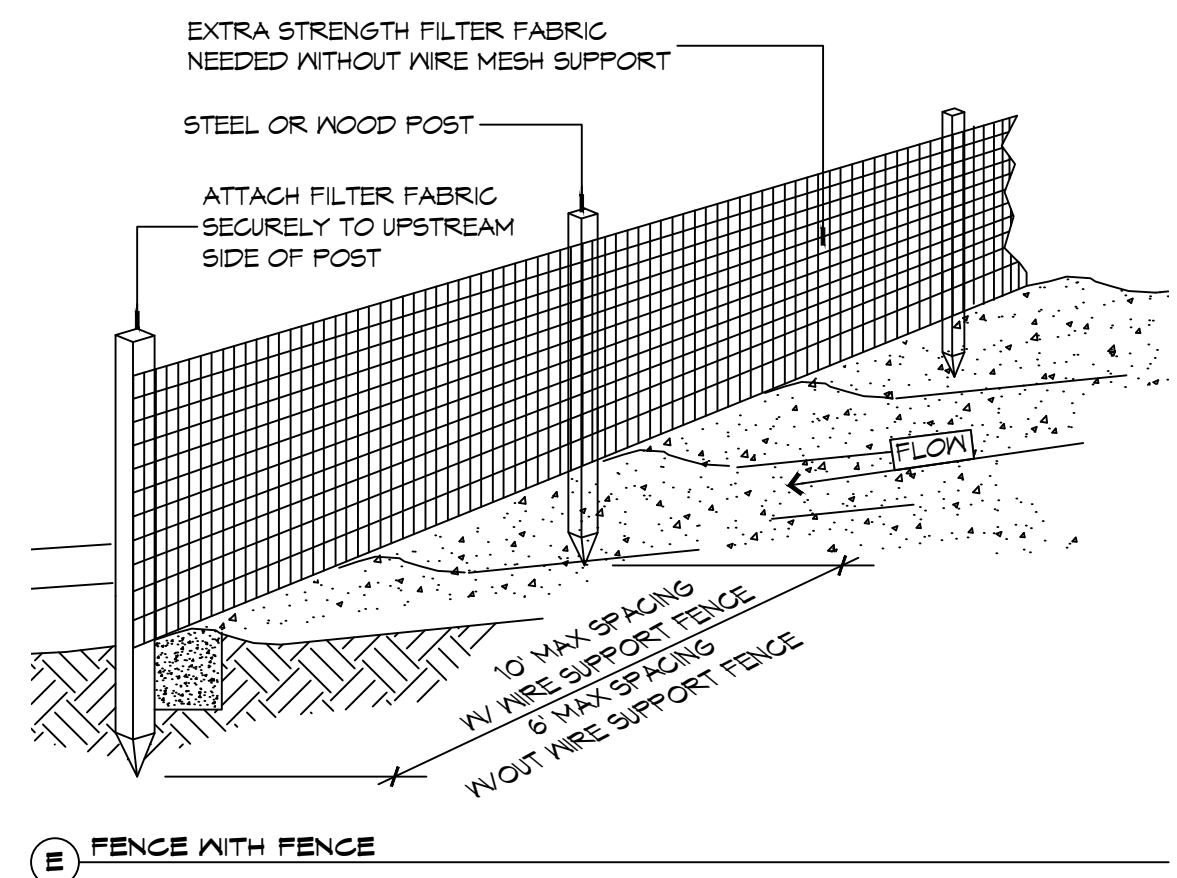
DRAWING NUMBER:
G101

SHEET No: 1 of 19

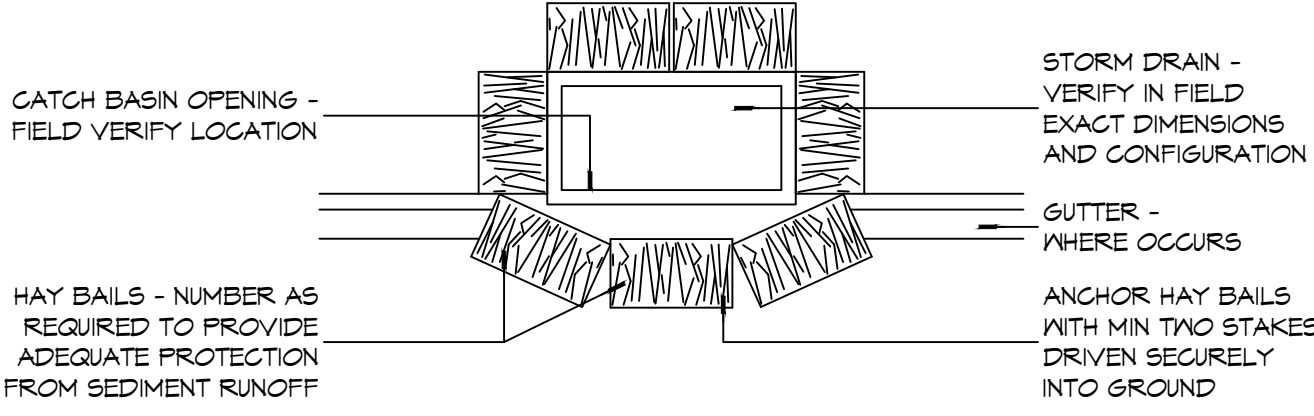
E.C. NAME: J.L. ...
 DATE: 05-06-2022
 PROJECT: ...
 SHEET: ...



- EROSION CONTROL FENCE NOTES:**
 THE TEMPORARY DROP INLET SILT TRAP IS TO BE USED IN SMALL DRAINAGE AREAS (LESS THAN 1 ACRE) WHERE THE STORM DRAIN IS FUNCTIONAL BEFORE THE AREA IS STABILIZED. THE TRAP CAN BE EITHER GEOTEXTILE FABRIC OR HAY BALES.
1. THE GEOTEXTILE FABRIC SHALL CONFORM TO SECTION 1019 (TYPE G) OF THE LA DOTD STANDARD SPECIFICATIONS.
 2. WOODEN STAKES SUPPORTING THE FABRIC SHALL BE SPACED AROUND THE INLET AT A MAXIMUM SPACING OF 3 FEET.
 3. THE HEIGHT OF THE FABRIC ABOVE THE INLET SHALL BE LIMITED TO 1'-6" AND THE BOTTOM OF THE FABRIC SHALL BE BURIED IN A TRENCH APPROXIMATELY 4" WIDE BY 4" DEEP. THE FABRIC SHALL BE STAPLED TO POST WITH 1/2" STAPLES.
 4. THE TRAP SHOULD BE INSPECTED REGULARLY AND AFTER EACH STORM, THE SEDIMENT SHOULD BE REMOVED AND MAKE SURE EACH STAKE IS FIRMLY IN THE GROUND.



(D) EROSION CONTROL FENCE AT GRATE
 EROSION CONTROL FENCE AT PROPERTY LINE OR LIMITS OF CONSTRUCTION



(C) CATCH BASIN PROTECTION
 SCALE: N.T.S.

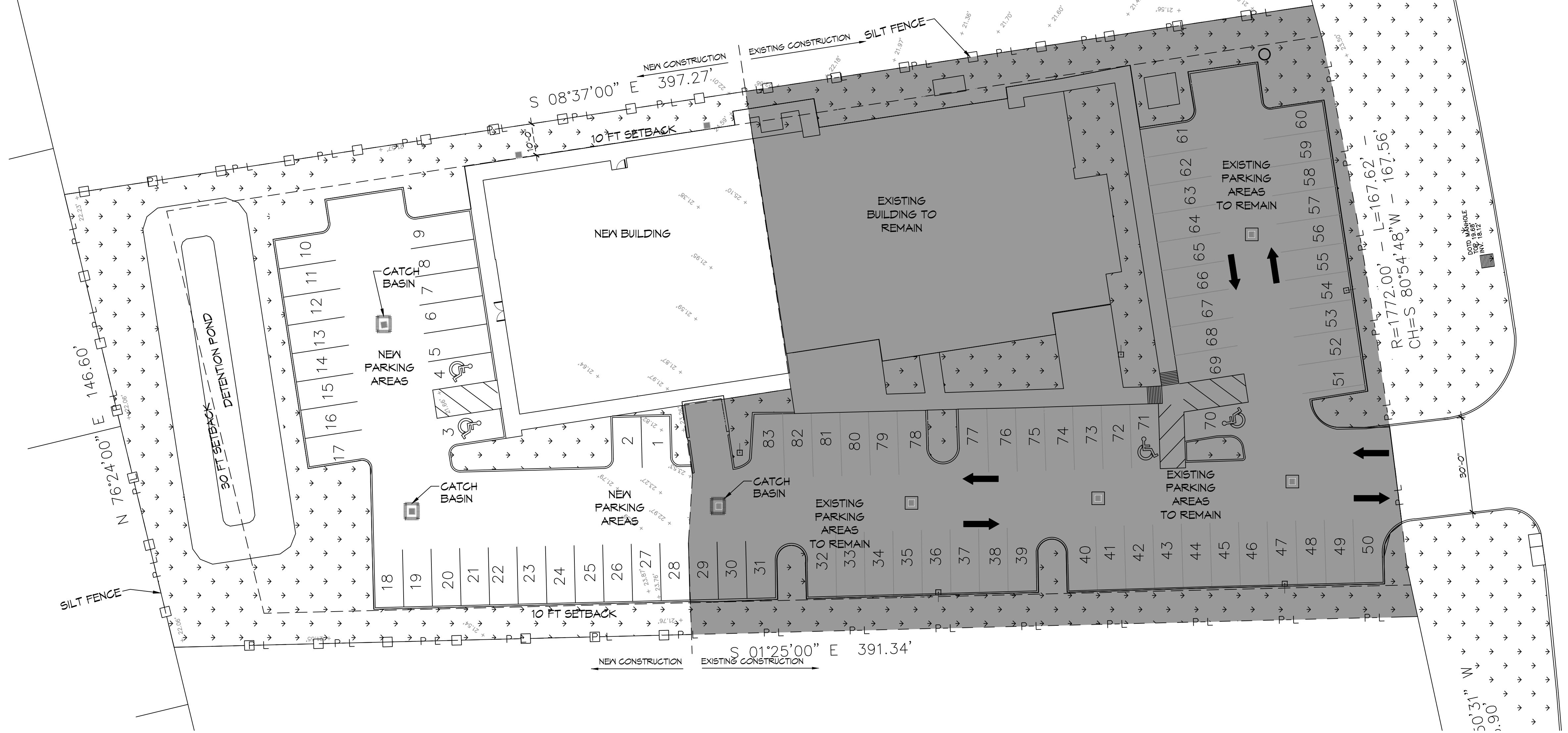
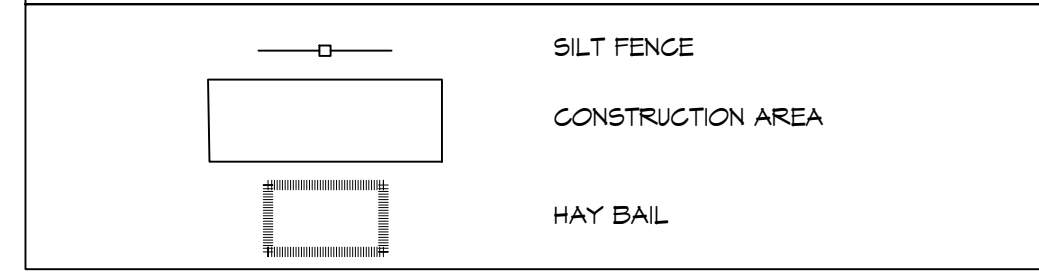
GENERAL EROSION CONTROL NOTES

1. ALL APPLICABLE EROSION AND SEDIMENT CONTROL PRACTICES SHALL BE IN PLACE PRIOR TO ANY GRADING OPERATION AND/OR INSTALLATION OF PROPOSED STRUCTURES OR UTILITIES.
2. SOIL EROSION AND SEDIMENT CONTROL PRACTICES ON THIS PLAN SHALL BE CONSTRUCTED IN ACCORDANCE WITH STANDARDS OF THE AUTHORITY HAVING JURISDICTION.
3. APPLICABLE EROSION AND SEDIMENT CONTROL PRACTICES SHALL BE LEFT IN PLACE UNTIL CONSTRUCTION IS COMPLETED AND/OR THE AREA IS STABILIZED.
4. THE CONTRACTOR SHALL PERFORM ALL WORK, FURNISH ALL MATERIALS, AND INSTALL ALL MEASURES REQUIRED TO REASONABLY CONTROL THE SOIL EROSION RESULTING FROM CONSTRUCTION OPERATIONS AND PREVENT EXCESSIVE FLOW OF SEDIMENT FROM THE CONSTRUCTION SITE.
5. ANY DISTURBED AREA THAT IS TO BE LEFT EXPOSED FOR MORE THAN THIRTY (30) DAYS AND NOT SUBJECT TO CONSTRUCTION TRAFFIC SHALL IMMEDIATELY RECEIVE A TEMPORARY SEEDING AND FERTILIZATION IN ACCORDANCE WITH THE AUTHORITY HAVING JURISDICTION'S STANDARDS.
6. THE SITE SHALL BE AT ALL TIMES BE GRADED AND MAINTAINED SUCH THAT ALL STORMWATER RUNOFF IS DIVERTED TO SOIL EROSION AND SEDIMENT CONTROL FACILITIES.
7. ALL CATCH BASIN INLETS SHALL BE PROTECTED IN ACCORDANCE WITH THESE PLANS.
8. EXCAVATED MATERIAL STOCKPILED ON THE SITE SHALL BE SURROUNDED BY A RING OF UNBROKEN SEDIMENT AND EROSION CONTROL FENCE. THE LIMITS OF ALL GRADING AND DISTURBANCE SHALL BE KEPT TO A MINIMUM WITHIN THE APPROVED AREA OF CONSTRUCTION. ALL AREAS OUTSIDE OF THE LIMIT OF CONTRACT SHALL REMAIN TOTALLY UNDISTURBED UNLESS OTHERWISE APPROVED BY OWNER'S REPRESENTATIVE.
9. ANY AREA OUTSIDE THE PROJECT LIMIT THAT IS DISTURBED SHALL BE RESTORED TO ITS ORIGINAL CONDITION AT NO COST TO THE OWNER.
10. THE CONTRACTOR SHALL PROVIDE DUST CONTROL FOR CONSTRUCTION OPERATIONS AS APPROVED BY OWNER.
11. ANY WORK WITHIN THE ROADWAY OR ADJACENT TO THE ROADWAY CAUSING AN INTERFERENCE TO VEHICULAR TRAFFIC MUST CONFORM TO THE REQUIREMENTS SET FORTH BY THE UNIFORM MANUAL OF TRAFFIC CONTROL DEVICES OF THE STATE OF LOUISIANA. THE CONTRACTOR MUST FURNISH ALL NECESSARY TRAFFIC SIGNS AND/OR BARRICADES AND MAINTAIN THEM DURING CONSTRUCTION ACTIVITY.
12. ALL POINTS OF CONSTRUCTION EGRESS OR INGRESS SHALL BE MAINTAINED TO PREVENT TRACKING OR FLOWING OF SEDIMENT ON TO PUBLIC/PRIVATE ROADS.

SILT FENCE INSTALLATION NOTES

1. THE BASE OF BOTH END POSTS MUST BE AT LEAST 2'-4" ABOVE THE TOP OF THE SILT FENCE FABRIC ON THE MIDDLE POSTS FOR DITCH CHECKS TO DRAIN PROPERLY. USE A HAND LEVEL OR STRING LEVEL. IF NECESSARY, TO MARK BASE POINTS BEFORE INSTALLATION.
2. INSTALL POSTS 3 - 4 FEET APART IN CRITICAL WATER RETENTION AREAS AND 6 - 7 FEET APART ON STANDARD APPLICATIONS.
3. INSTALL POSTS 24" DEEP ON THE DOWNSTREAM SIDE OF THE SILT FENCE, AND AS CLOSE AS POSSIBLE TO THE FABRIC, ENABLING POSTS TO SUPPORT THE FABRIC FROM UPSTREAM WATER PRESSURE.
4. INSTALL POSTS WITH THE NIPPLES FACING AWAY FROM THE SILT FENCE FABRIC.
5. ATTACH THE FABRIC TO EACH POST WITH THREE TIES, ALL SPACED WITHIN THE TOP 8" OF THE FABRIC. ATTACH EACH TIE DIAGONALLY 45° THROUGH THE FABRIC, WITH EACH PUNCTURE AT LEAST 1" VERTICALLY APART. ADDITIONALLY, EACH TIE SHOULD BE POSITIONED TO HANG ON POST NIPPLE WHEN TIGHTENED TO PREVENT SAGGING.
6. WRAP APPROXIMATELY 6" OF FABRIC AROUND THE END POSTS AND SECURE WITH 3 TIES.
7. NO MORE THAN 24" OF A 36" FABRIC IS ALLOWED ABOVE GROUND LEVEL.
8. THE INSTALLATION SHOULD BE CHECKED AND CORRECTED FOR ANY DEVIATIONS BEFORE COMPACTION. USE A FLAT-BLADED SHOVEL TO TUCK FABRIC DEEPER INTO THE SILT IF NECESSARY.
9. COMPACTION IS VITALLY IMPORTANT FOR EFFECTIVE RESULTS. COMPACT THE SOIL IMMEDIATELY NEXT TO THE SILT FENCE FABRIC WITH THE FRONT WHEEL OF THE TRACTOR, SKID STEER, OR ROLLER EXERTING AT LEAST 60 PSI OF PRESSURE. COMPACT THE UPSTREAM SIDE FIRST, AND THEN EACH SIDE TWICE FOR A TOTAL OF FOUR TRIPS.
10. SILT FENCE SHALL BE PLACED ON SLOPE CONTOURS TO MAXIMIZE PONDING EFFICIENCY.
11. INSPECT AND REPAIR FENCE AFTER EACH STORM EVENT AND REMOVE SEDIMENT WHEN NECESSARY. NINE INCH MAXIMUM RECOMMENDED STORAGE HEIGHT.
12. REMOVED SEDIMENT SHALL BE DEPOSITED TO AN AREA THAT WILL NOT CONTRIBUTE SEDIMENT OFF-SITE AND CAN BE PERMANENTLY STABILIZED.

EROSION CONTROL LEGEND



EROSION CONTROL PLAN
 SCALE: 1" = 20'

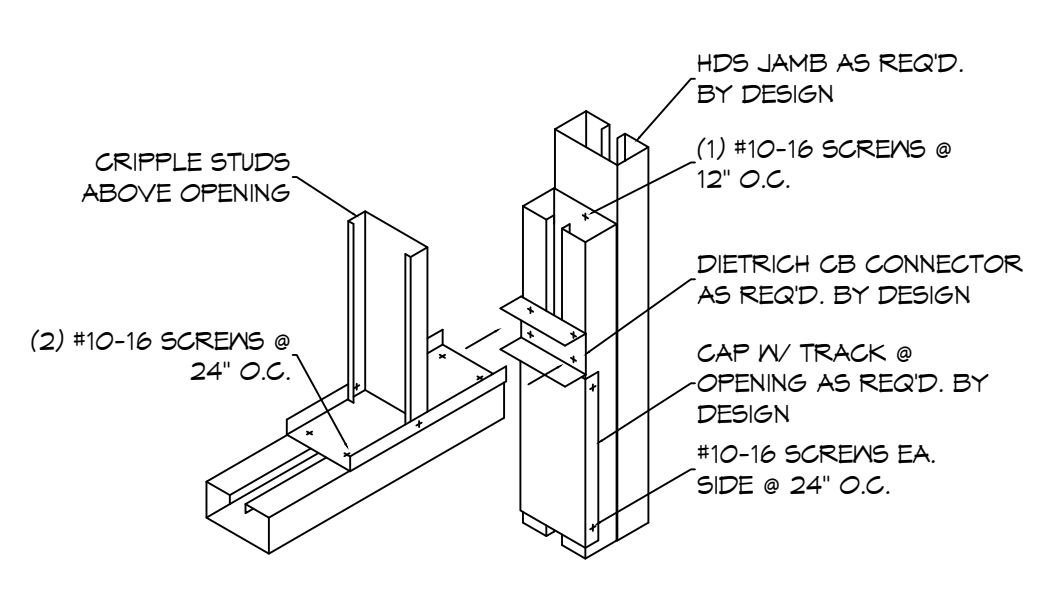
DAMMON ENGINEERING, INC.
 LOUISIANA & MISSISSIPPI
 Chief Engineer: Brian Mistich, PE
 554 Old Spanish Trail
 Slidell, LA 70458
 www.dammonengineering.com
 info@dammonengineering.com
 PH: 985.649.5832

#	DESCRIPTION	DATE

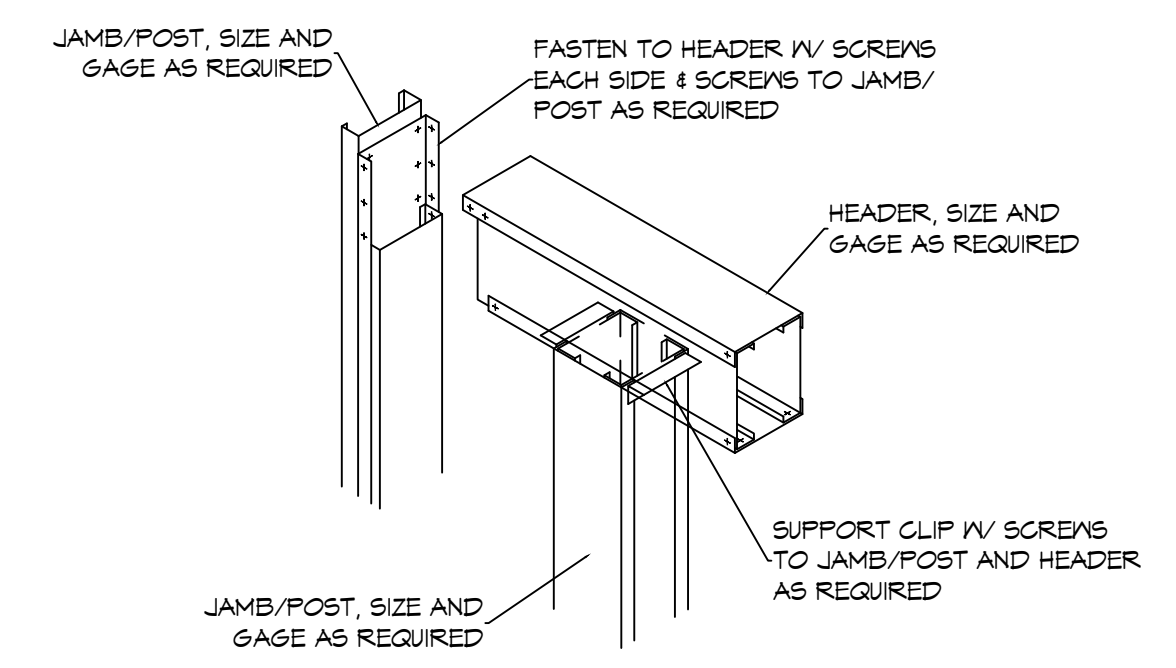


HONTASMOB
 NEW ADDITION
 SHEET TITLE: SITE EROSION CONTROL PLAN
 DRAWING NUMBER:
 DATE: 05-06-2022
 CHECKED BY: CKD
 DRAWN BY: PDP
 JOB NO: 2443
 13211 LA HWY 21, BOX 483
 COVINGTON, LA 70438

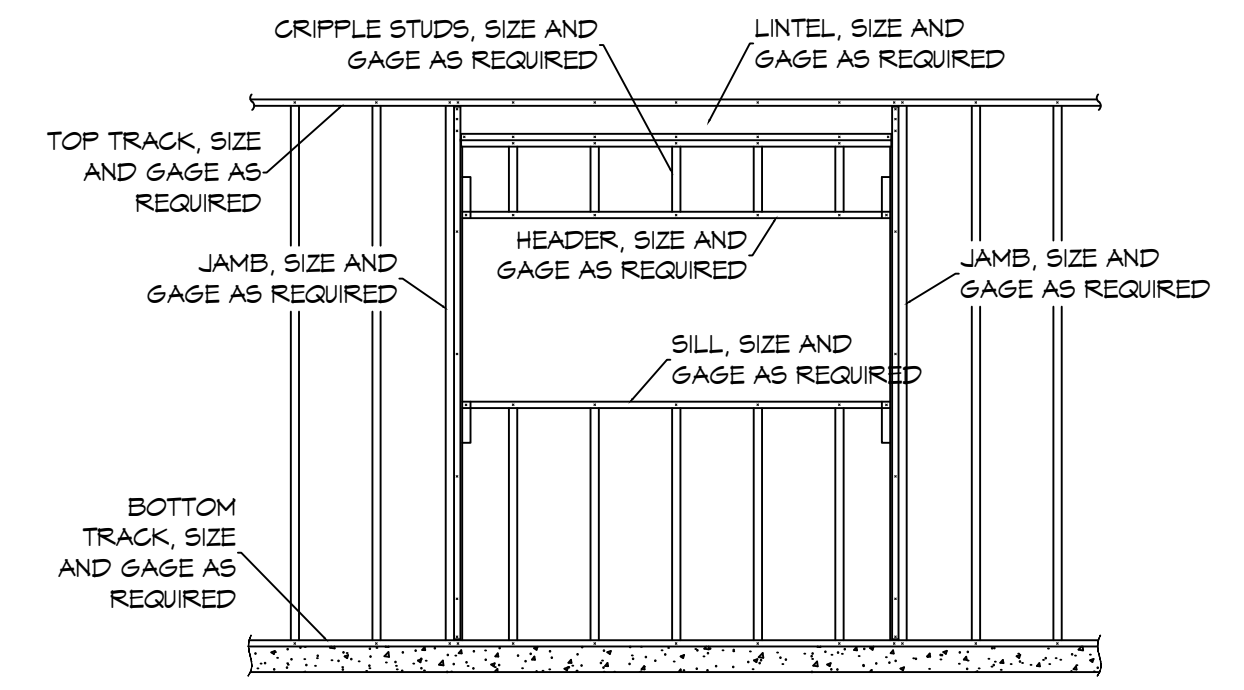
FILE NAME: C:\Users\mishch\OneDrive\Desktop\2022\2022-05-11_2022-05-11_2022-05-11.dwg



1 MULTIPLE JAMB STUDS
SCALE: N.T.S.

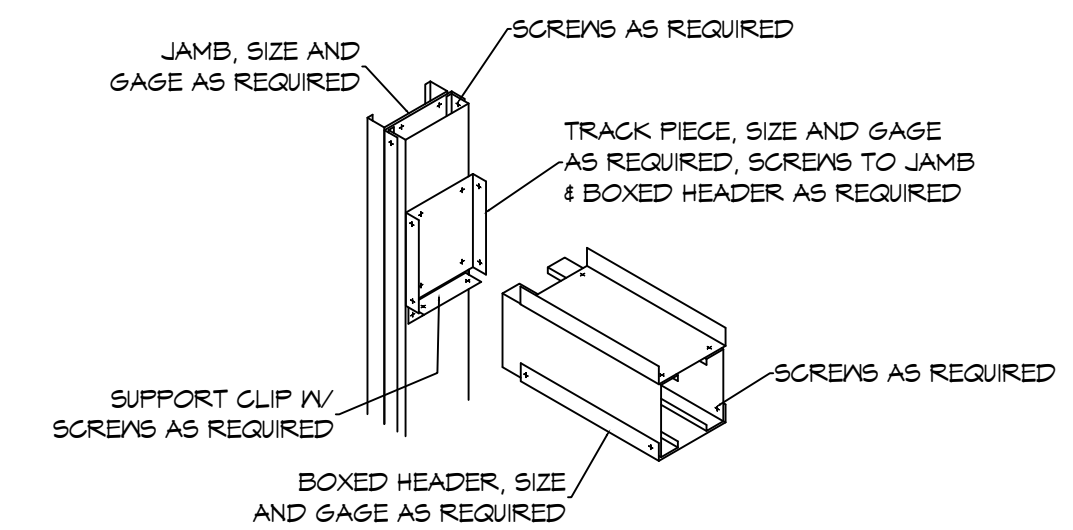


2 HEADER DETAIL
SCALE: N.T.S.

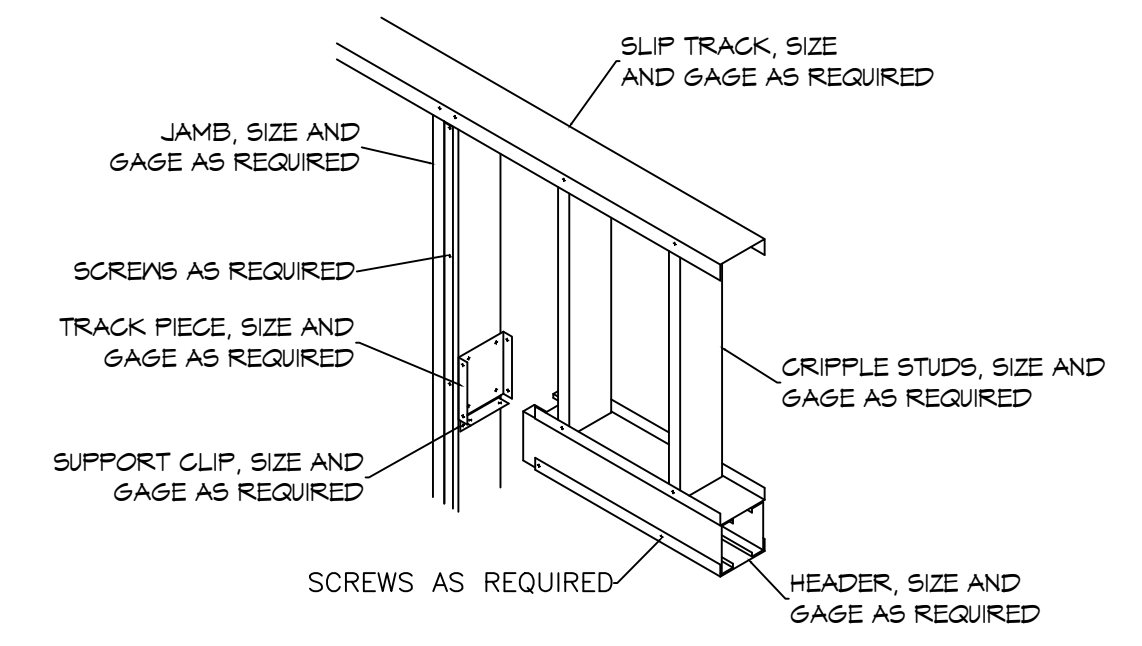


3 LOAD-BEARING WINDOW OPENING
SCALE: N.T.S.

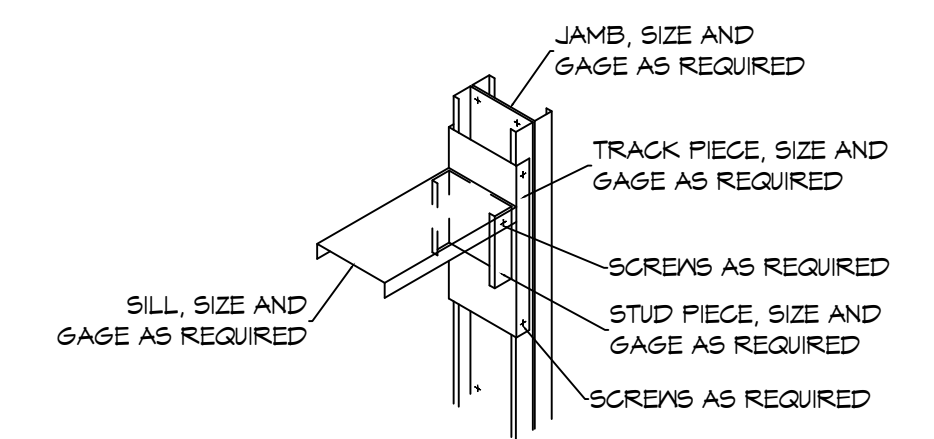
LINTEL, BOXED HEADER SCHEDULE	
WIDTH OF OPENING	BOXED HEADER DESIGNATION
4 FEET OR LESS	400S200-91 [50] (2) BOXED
4 FEET TO 6 FEET	600S250-91 [50] (2) BOXED
6 FEET TO 8 FEET	800S250-91 [50] (2) BOXED



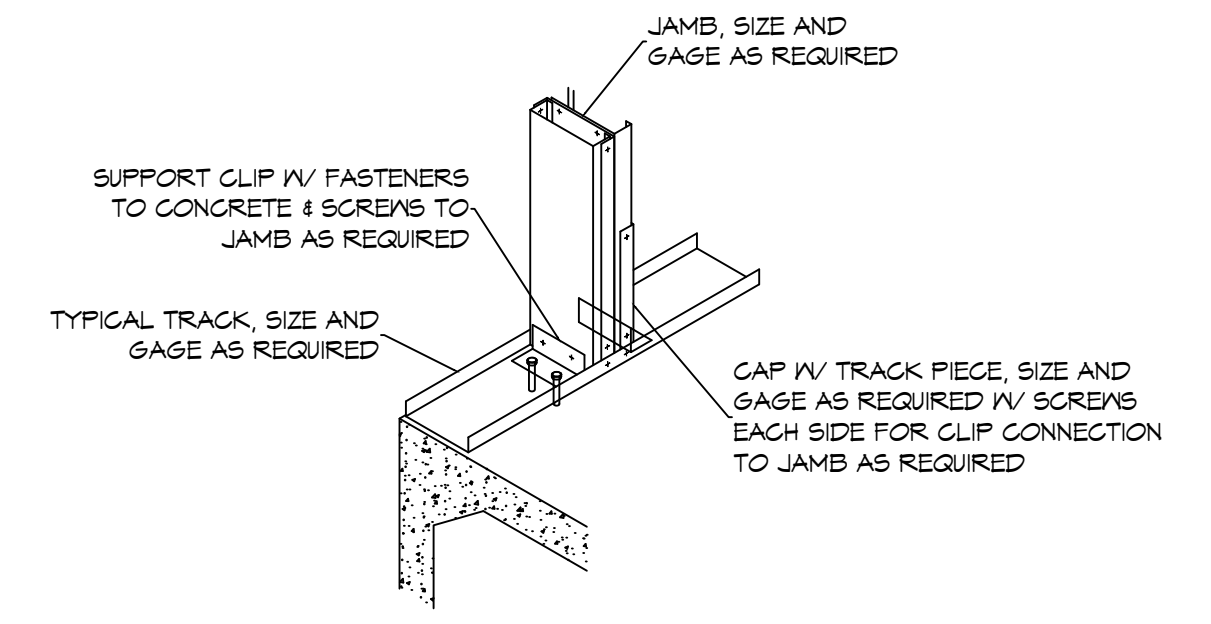
4 BOXED HEADER DETAIL
SCALE: N.T.S.



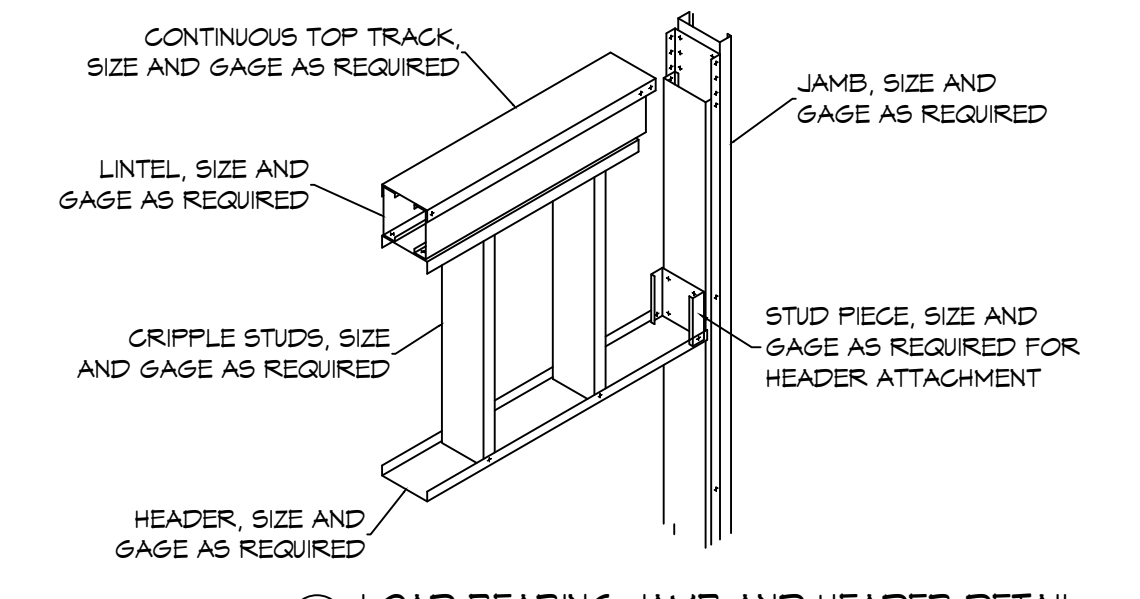
5 LOAD BEARING HEADER JAMB DETAIL
SCALE: N.T.S.



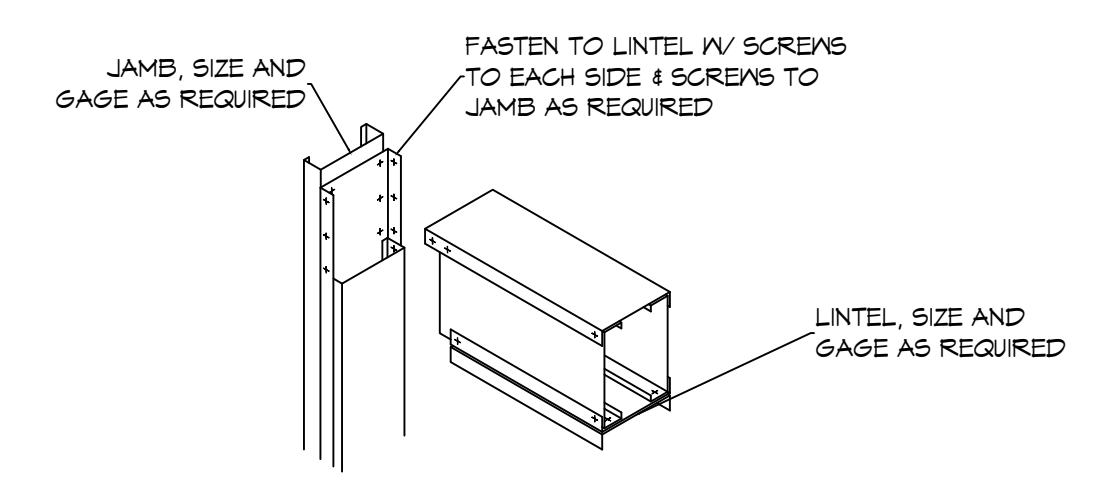
6 SILL DETAIL
SCALE: N.T.S.



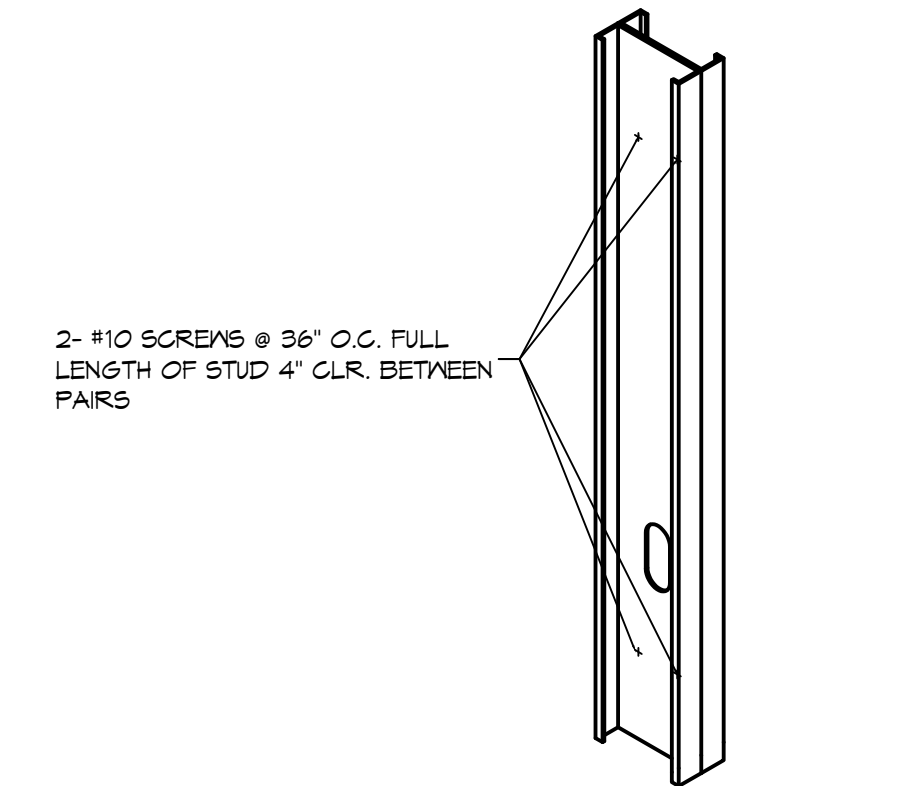
7 BASE CONNECTION
SCALE: N.T.S.



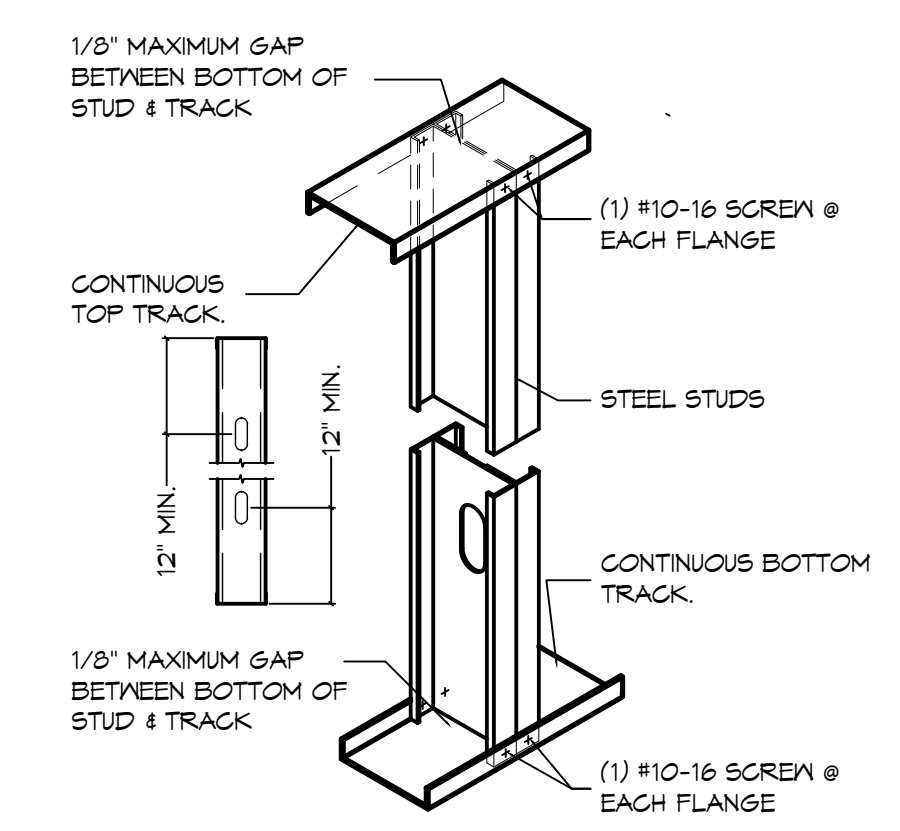
8 LOAD BEARING JAMB AND HEADER DETAIL
SCALE: N.T.S.



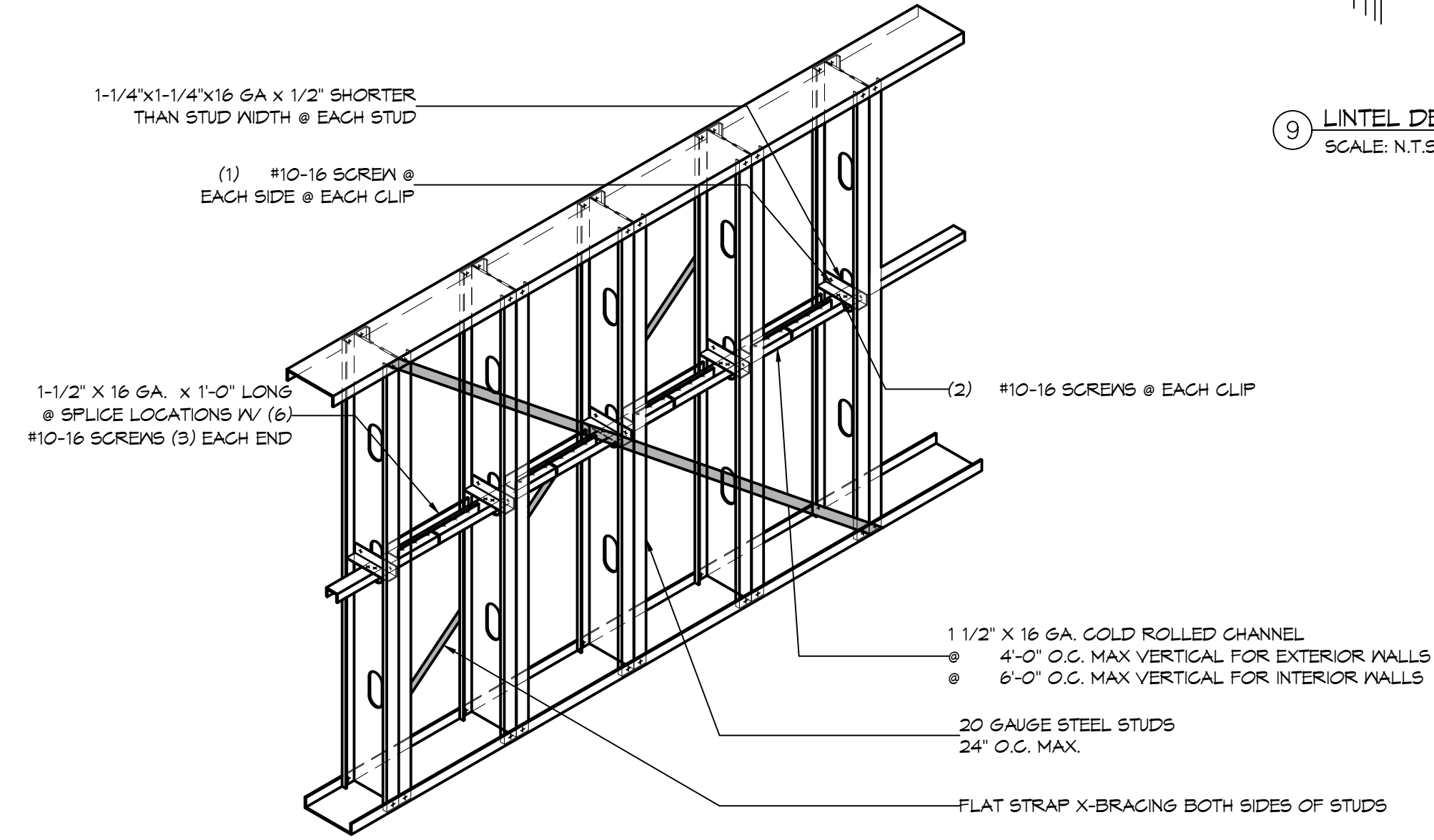
9 LINTEL DETAIL
SCALE: N.T.S.



10 BUILT-UP STUD DETAIL
SCALE: N.T.S.



11 TRACK CONNECTION DETAIL
SCALE: N.T.S.



12 HORZ. BRACING DETAIL
SCALE: N.T.S.

NO.	DESCRIPTION	DATE



DAMMON ENGINEERING, INC.
 LOUISIANA & MISSISSIPPI
 Chief Engineer: Brian Mistich, PE
 554 Old Spanish Trail
 Slidell, LA 70458
 www.dammonengineering.com
 info@dammonengineering.com
 PH: 985.649.5832

HONTASMOB
 NEW ADDITION
 11211 LA HWY 21
 COVINGTON, LA 70438
 JOB No: 2443
 DATE: 05-06-2022
 DRAWN BY: DPD
 CHECKED BY: CKD

SHEET TITLE:
FRAMING DETAILS

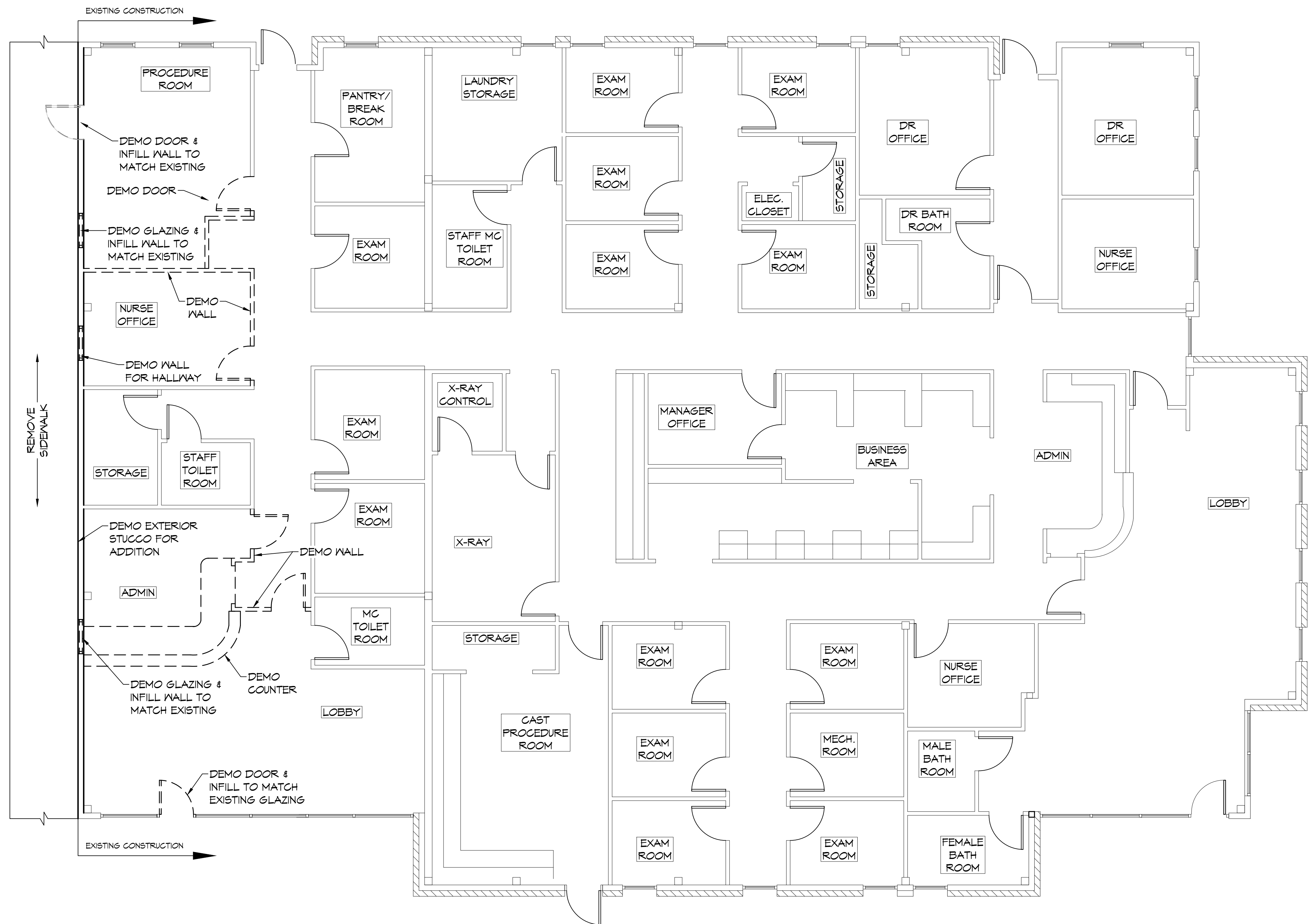
DRAWING NUMBER:
S202

SHEET No: 9 of 19

FILE NAME: J:\Projects\16-Demo\16-Demo.dwg - Author: WBS - 05/06/2022 - Date: 05/11/2022 2:02:29 PM

LEGEND

- DEMO
- _____ EXISTING CONSTRUCTION TO REMAIN



16 DEMO PLAN
SCALE: 3/16" = 1'-0"

DAMMON
ENGINEERING, INC.
LOUISIANA & MISSISSIPPI

Chief Engineer: Brian Mistich, PE
554 Old Spanish Trail
Slidell, LA 70458
www.dammonengineering.com
info@dammonengineering.com
PH: 985.649.5832

#	DESCRIPTION	DATE



NEW ADDITION

HONTAS MOB

T1211 L.A. HWY 21
COVINGTON, LA 70433

JOB No: 2449 DATE: 05-06-2022
DRAWN BY: DFP CHECKED BY: CKD

SHEET TITLE:
DEMO PLAN

DRAWING NUMBER:
D101

SHEET No: 10 of 19

EQUIPMENT LIST		
MK	EQUIPMENT	NOTES
A	MATRIX	
B	EXERCISE TABLE	
C	WEB SLIDE WORKOUT AREA	
D	E-STIM CART	
E	PHYSICAL THERAPY TABLE	
F	ELLIPTICAL	
G	BIKE	
H	NUSTEP	
J	UBE	
K	SHUTTLE	
L	ICE PACK FREEZER	
M	HOT PACKS	
N	REBOUNDER	
O	COUNTER FOR HOT/COLD PKGS	
P	STORAGE RACK	

DOOR SCHEDULE							
MK	WIDTH	HT	THK	DOOR MAT	FRAME MAT	FR	REMARKS
DO1	(2) 3'-0"	6'-8"	1-3/4"	GLASS	METAL	NR	NEW AUTOMATIC FOLDING DOORS; WITH EMERGENCY EGRESS. MATCH EXISTING FINISHES
DO2	3'-0"	6'-8"	1-3/4"	METAL	METAL	40	NEW EXTERIOR DOOR WITH CLOSER; MATCH EXISTING FINISHES
DO3	3'-0"	6'-8"	1-3/4"	WOOD	METAL	NR	NEW INTERIOR DOORS; MATCH EXISTING FINISHES
DO4	3'-0"	6'-8"	1-3/4"	WOOD	METAL	NR	NEW INTERIOR DOORS WITH CLOSER; MATCH EXISTING FINISH
DO5	3'-8"	6'-8"	1-3/4"	METAL	METAL	45	NEW TENANT SEPARATION DOOR WITH THERMAL HOLD BACK DEVICE, GEZE TS5000 OR EQUAL; MATCH EXISTING FINISHES

NOTE:

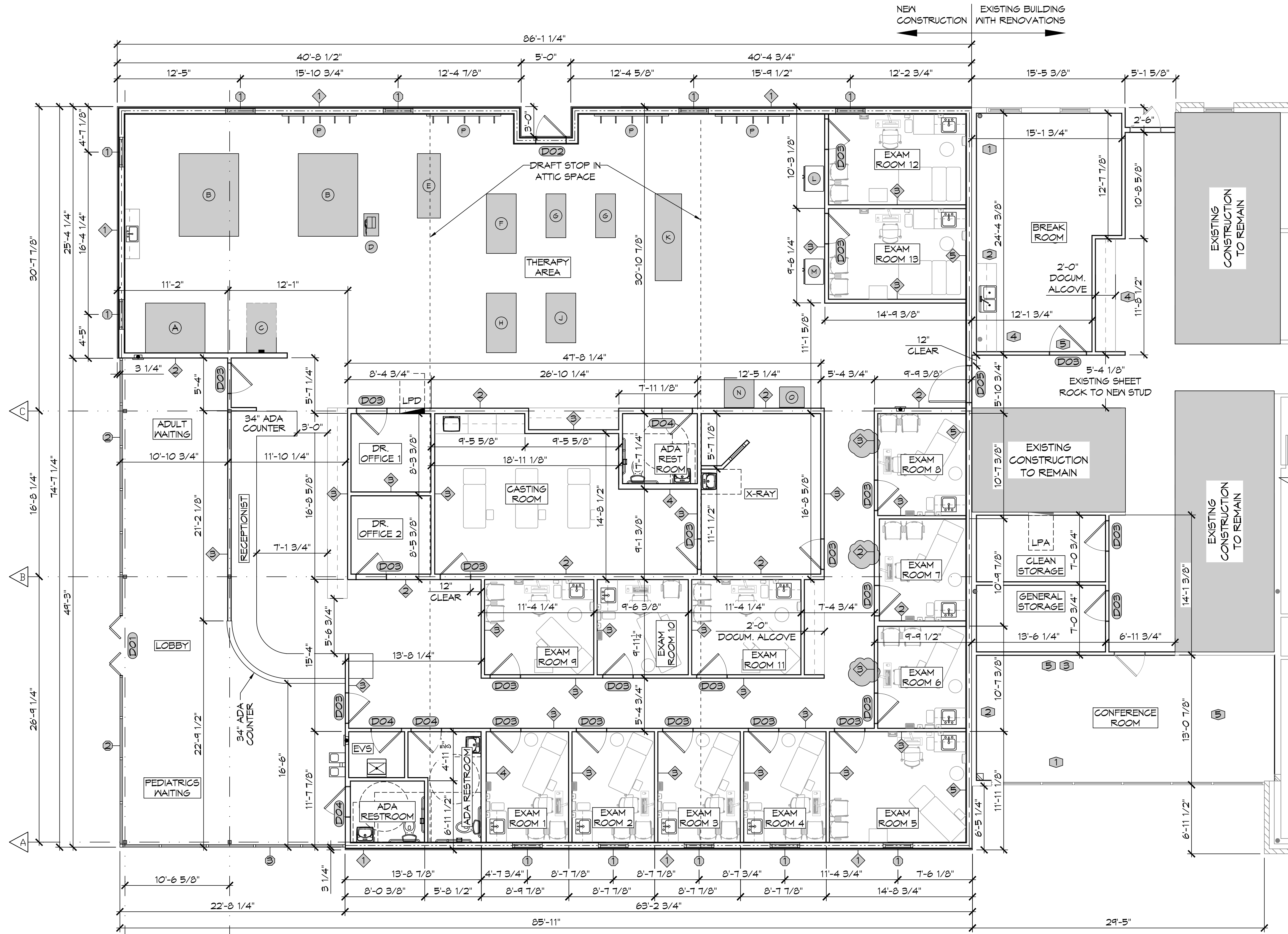
- DOORS IN A REQUIRED MEANS OF EGRESS SERVING ANY ASSEMBLY AREA HAVING AN OCCUPANT LOAD OF 50 OR MORE PERSONS SHALL NOT BE EQUIPPED WITH A LATCH OR LOCK OTHER THAN PANIC HARDWARE OR FIRE EXIT HARDWARE.
- DOORS WITH A FIRE RATING REQUIRES THE ENTIRE ASSEMBLY TO BE FIRE RATED.

WINDOW SCHEDULE					
MK	WD	HT	FRAME	REMARKS	
1	3'-0"	4'-0"	ALUM	MATCH EXISTING WINDOW FRAME & GLAZING; SHALL BE IMPACT RESISTANT. PROVIDE WINDOW TREATMENT IN EXAM ROOMS.	
2	49'-3"	9'-0"	ALUM	3/4" GLAZING; MATCH EXISTING WINDOW FRAME; SHALL BE IMPACT RESISTANT	
3	22'-8"	9'-0"	ALUM	3/4" GLAZING; MATCH EXISTING WINDOW FRAME; SHALL BE IMPACT RESISTANT	

GENERAL NOTES

- INSULATION AND INSULATION ASSEMBLIES SHALL MEET THE REQUIREMENTS OF IBC 2012 SECTION T11.
 - CONCEALED INSULATION SHALL HAVE A FLAME SPREAD OF 0-25 AND SMOKE DEVELOPED INDEX OF 0-450, EXCEPT THAT IN COMBUSTIBLE (WOOD FRAME) CONSTRUCTION.
 - FACING SHALL COMPLY WITH IBC 2012.
- ALL MATERIALS SHALL BE NEW AND UL LISTED.
- NO WORK SHALL BE CONCEALED UNTIL APPROVED BY LOCAL INSPECTORS.
- CONSTRUCTION SHALL COMPLY WITH ALL PARISH, STATE, AND LOCAL CODES.
- CONTRACTOR TO GUARANTEE WORK FOR ONE YEAR FROM DATE OF SUBSTANTIAL COMPLETION.
- CONTRACTOR SHALL FURNISH WATER AND POWER FROM EXISTING SOURCES.
- PROVIDE 5X5' LANDINGS, LEVEL WITH FINISHED FLOOR, OUTSIDE EXTERIOR DOORS. THRESHOLDS SHALL BE NOT MORE THAN 1/2" IN HEIGHT AND SHALL BE BEVELED IF MORE THAN 1/4".
- EXTERIOR DOORS SHALL BE THICK CAULK.
- PAINT SHALL BE SHERWIN WILLIAMS OR EQUIVALENT AND APPROPRIATE FOR THE SUBSTRATE TO WHICH IT IS APPLIED AS RECOMMENDED BY PAINT MANUFACTURER. ALL WORK TO RECEIVE THREE COATS (ONE PRIMER COAT, TWO FINISH COATS) UNLESS OTHERWISE RECOMMENDED BY PAINT MANUFACTURER. COLORS TO BE SELECTED BY OWNER.
- PROVIDE CLEANUP ON A REGULAR BASIS. NO TRASH SHALL BE STORED INSIDE BUILDING PREMISES.
- ALL BATT INSULATION SHALL HAVE A CLASS 'A' (0-25) FLAME SPREAD IN COMPLIANCE WITH IBC 2012.
- USE 2X6 STUDS, OR TWO 2X4 STAGGERED STUDS WITH 2X6 SILL PLATE AT ALL WALLS WHERE 4" PIPE IS INDICATED. SEE PLUMBING RISER DIAGRAM FOR PIPE SIZE.
- PROVIDE GALVANIZED METAL PAN WITH DRAIN AT ALL WATER HEATERS.
- ALL FLOORING SHALL MEET OR EXCEED ADA GUIDELINES REQUIREMENTS FOR SLIP RESISTANCE.
- INTERIOR LOCKS ON DOORS IN MEANS OF EGRESS SHALL NOT REQUIRE THE USE OF A KEY, SPECIAL KNOWLEDGE, OR SPECIAL DEVICE TO OPEN IN THE DIRECTION OF EGRESS. ALL DOORS SHALL HAVE LEVER TYPE HANDLES.
- INTERIOR WALLS AND CEILING SHALL HAVE A FLAME SPREAD OF 0-200 AND A SMOKE DEVELOPMENT RATING OF 0-450.
- ALL WORK SHALL COMPLY WITH THE LATEST EDITION OF ALL LOCAL, STATE, AND NATIONAL CODES GOVERNING THE TYPE OF WORK BEING PERFORMED.
- PROVIDE PORTABLE FIRE EXTINGUISHERS IN ACCORDANCE WITH NFPA 101. SEE APPENDIX 'E' OF NFPA 101 FOR DISTRIBUTION OF EXTINGUISHERS.
- ALL FIRE WALLS SHALL EXTEND TIGHT TO ROOF DECK AND BE SEALED WITH AN APPROVED FIRE CAULK.
- ALL ELECTRICAL, MECHANICAL, AND PLUMBING MATERIALS PENETRATING FIRE WALLS SHALL BE FIRE CAULKED. (PENETRATIONS THROUGH RATED CONSTRUCTION SHALL BE SEALED WITH A MATERIAL CAPABLE OF PREVENTING THE PASSAGE OF FLAMES AND HOT GASES WHEN TESTED IN ACCORDANCE WITH ASTM-E814.)
- SERVICE COUNTERS SHALL HAVE AN ACCESSIBLE WRITING SURFACE IN COMPLIANCE WITH ADAAGS ACCESSIBILITY GUIDELINES 2010, SECTION 902.3.

DAMMON ENGINEERING, INC.
 LOUISIANA & MISSISSIPPI
 Chief Engineer: Brian Mestich, PE
 554 Old Spanish Trail
 Slidell, LA 70458
 www.dammonengineering.com
 info@dammonengineering.com
 PH: 985.649.5832



WALL LEGEND

DESCRIPTION (SEE SHEET A104)
1 6" METAL STUD, LOAD BEARING WALL, 2-HR RATED. UL425, SEE UL SPEC SHEET.
2 6" METAL LOAD BEARING WALL.
3 4" METAL STUD NON-LOAD BEARING WALL.
4 6" METAL STUD NON-LOAD BEARING WALL.
5 6" METAL STUD, 1 HOUR NON-LOAD BEARING WALL, TENANT SEPARATION WALL.

LEGEND

- EXTERIOR LOAD BEARING WALLS CONSTRUCTED WITH NONCOMBUSTIBLE MATERIAL, 2HR FIRE RATING (UL 1425), AND FLOOR.
- INTERIOR TENANT SEPARATION WALL CONSTRUCTED WITH NONCOMBUSTIBLE MATERIAL, 1HR FIRE RATING AGAINST EXISTING CONSTRUCTION (BASED ON UL 1301).
- DRAFT STOP IN ATTIC SPACE, SMOKE RATED.

RENOVATION NOTES

- REMOVE DOOR AND INFILL WALL TO MATCH EXISTING.
- REMOVE GLAZING AND INFILL WALL TO MATCH EXISTING.
- DEMO EXISTING FRONT DESK MILLWORK. PATCH WALLS TO REMAIN AND FLOOR.
- CONSTRUCT MILLWORK TO MATCH EXISTING STYLE, VERIFY WITH OWNER.
- CONSTRUCT NEW PARTITIONS TO MATCH EXISTING METAL STUD PARTITIONS, REPAIR FLOORING, MATCH EXISTING STYLES AND COLORS. VERIFY WITH OWNER.

FINISH NOTES

- FLOOR, WALL, AND CEILING FINISHES TO MATCH EXISTING. ALL CORNERS TO RECEIVE CORNER GUARDS TO MATCH EXISTING. VERIFY COLORS WITH OWNER.

NO.	DESCRIPTION	DATE
1	ADDED EXAM ROOMS 12 & 13	4/9/2022

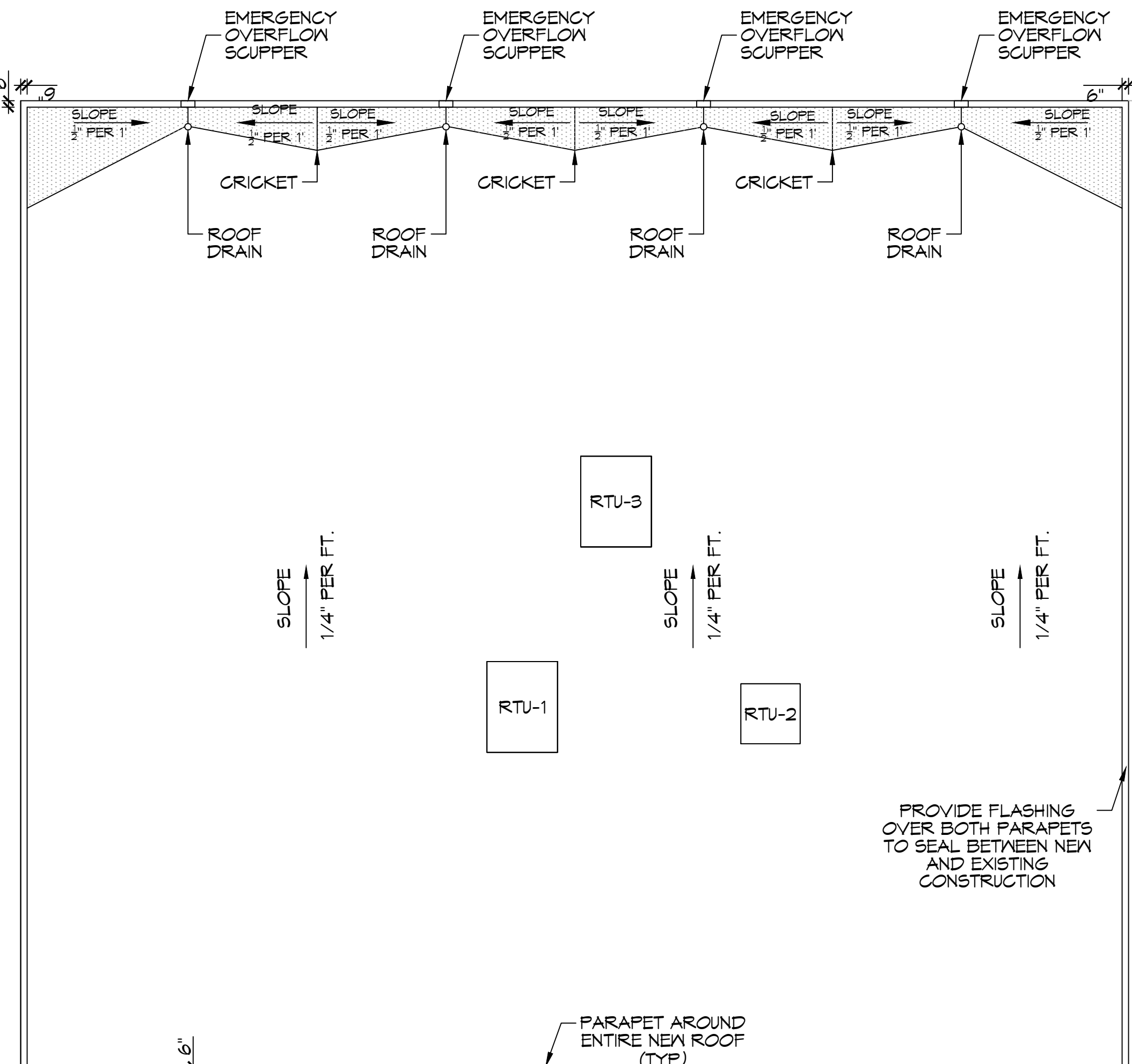


17 FLOOR PLAN
 SCALE: 3/16" = 1'-0"

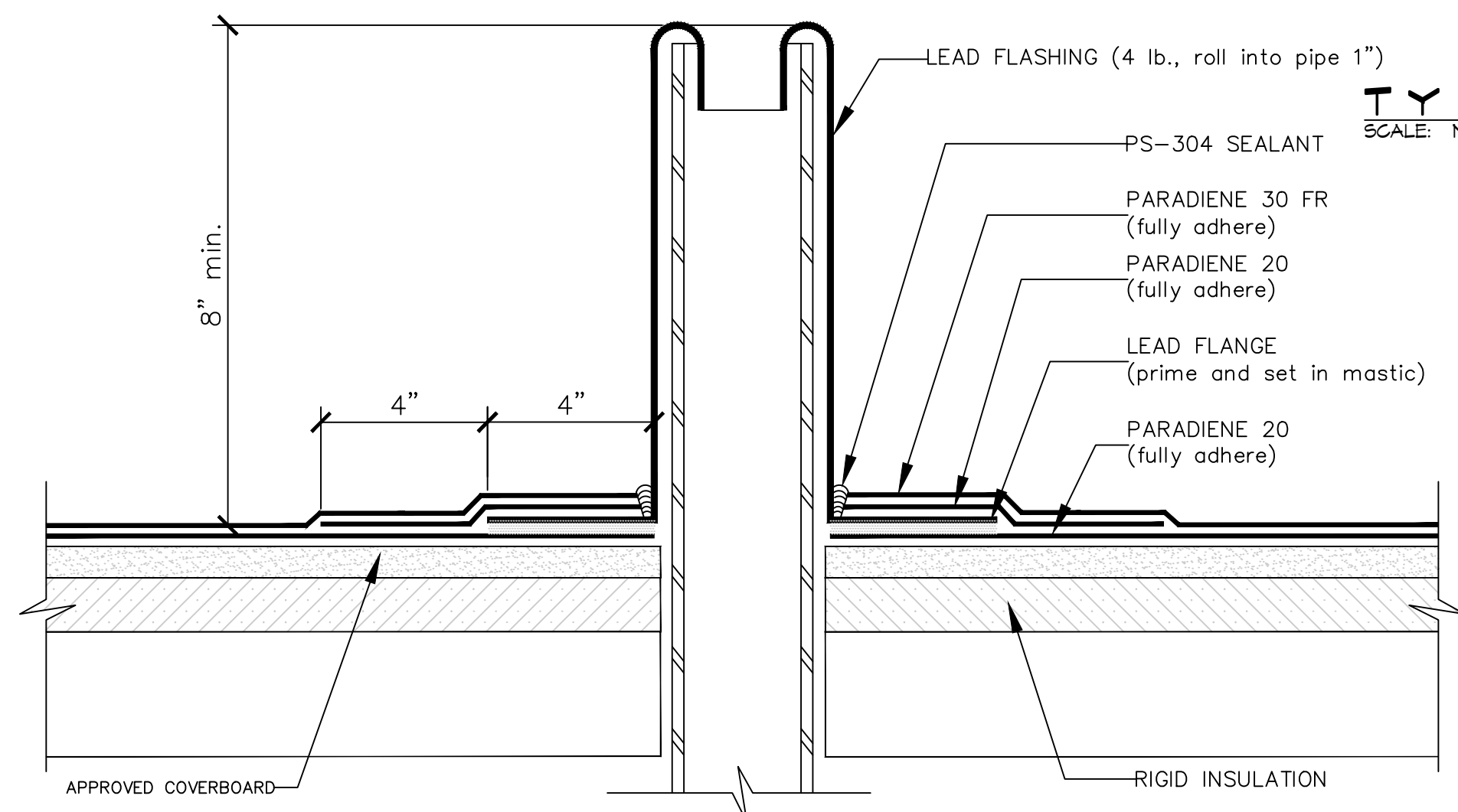
RENOVATIONS AND NEW FLOOR PLAN

NEW ADDITION
 H O N T A S T A N O O B
 SHEET TITLE: RENOVATIONS AND NEW FLOOR PLAN
 DRAWING NUMBER: A101
 SHEET No: 11 of 14

FILE NAME: J:\1 - Design - Metal - Detail\2101 - Hontas\2101 Roof Plan.dwg - 2101 - Hontas - Metal - Detail\2101 - Hontas\2101 Roof Plan.dwg - 2101 - Hontas - Metal - Detail\2101 - Hontas\2101 Roof Plan.dwg



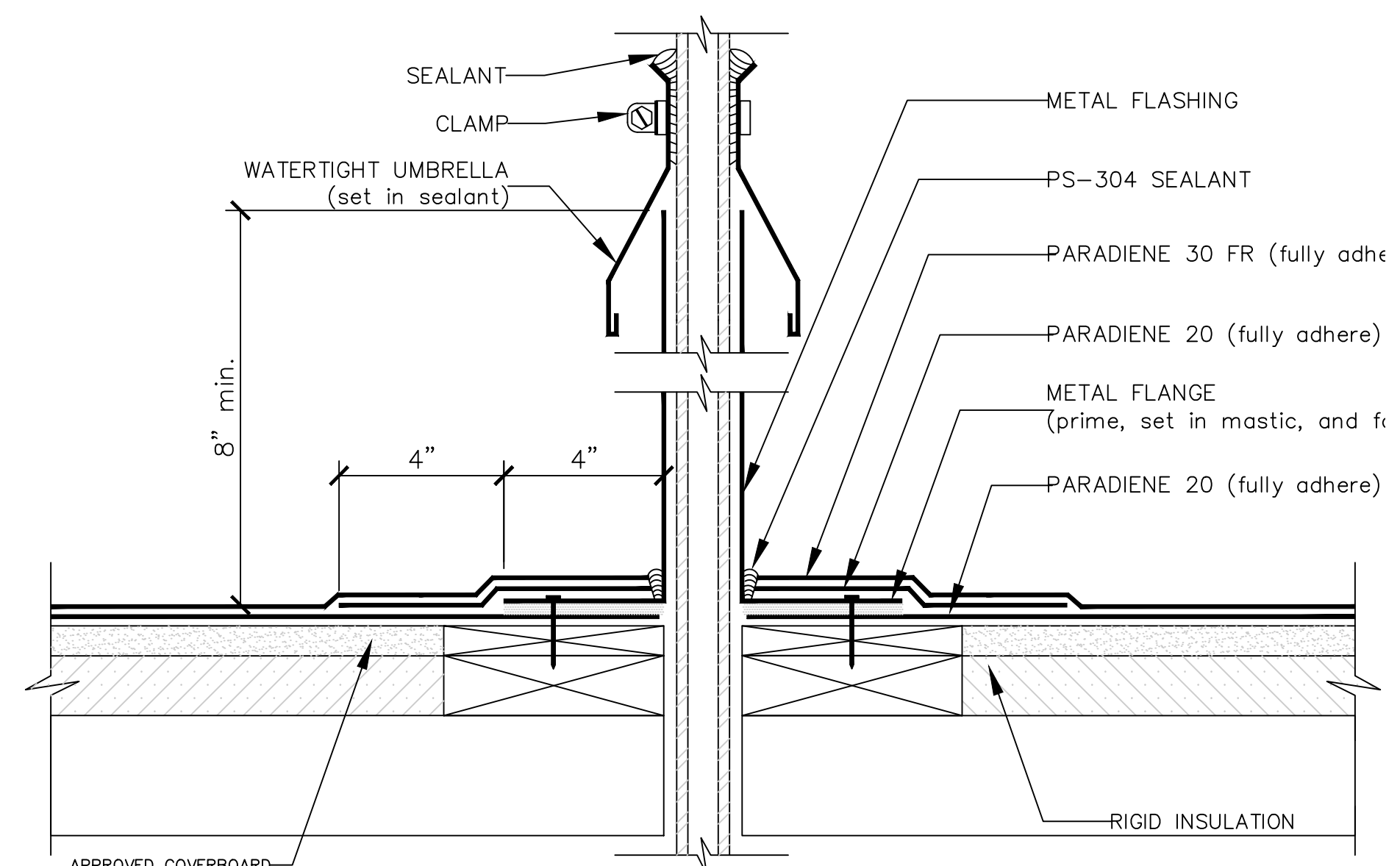
21 ROOF PLAN
SCALE: 1/8" = 1'-0"



NOTES: 1. WHERE PRIMER IS INDICATED TO MAINTAIN PROPER ADHESION, TA-119 PRIMER IS REQUIRED FOR ALL PARADIENE 20 SA FLASHING REINFORCING AND STRIPPING PLY APPLICATIONS. USE PA-1125 OR PA-917 LS FOR ALL NON-PARADIENE 20 SA APPLICATIONS. CONTACT SIPLAST FOR SPECIFIC REQUIREMENTS.
2. REQUIREMENTS AND RECOMMENDATIONS DETAILED IN SIPLAST SPECIFICATIONS SHALL APPLY IN ADDITION TO THE ABOVE DRAWING.

CAUTION: SIPLAST RECOMMENDS THAT ALL PRACTICES PERTAINING TO NRCA CERTA GUIDELINES BE FOLLOWED WHEN TORCHING METHODS ARE EMPLOYED. THIS INCLUDES PERFORMING A FIRE WATCH FOLLOWING ANY TORCH APPLICATIONS. ALWAYS HAVE APPROVED FIRE-EXTINGUISHING EQUIPMENT NEARBY.

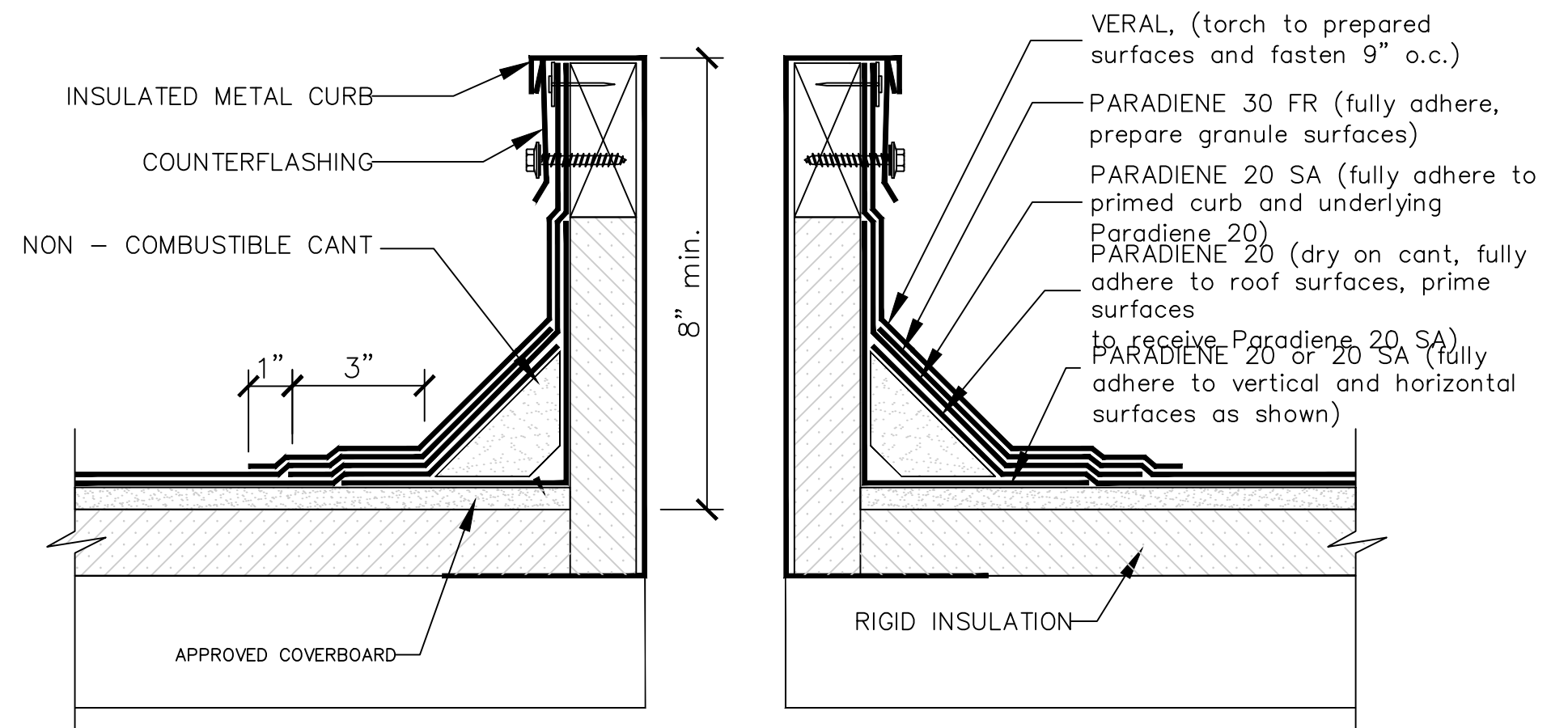
TYP. WASTE STACK DETAIL
SCALE: NTS



NOTES: 1. WHERE PRIMER IS INDICATED TO MAINTAIN PROPER ADHESION, TA-119 PRIMER IS REQUIRED FOR ALL PARADIENE 20 SA FLASHING REINFORCING AND STRIPPING PLY APPLICATIONS. USE PA-1125 OR PA-917 LS FOR ALL NON-PARADIENE 20 SA APPLICATIONS. CONTACT SIPLAST FOR SPECIFIC REQUIREMENTS.
2. THE CARPENTRY AND METAL WORK SHOWN DEPICT SHOP FABRICATION AND JOB-SITE ASSEMBLY. THESE COMPONENTS SHOULD BE DESIGNED/FABRICATED/INSTALLED ACCORDING TO GENERALLY ACCEPTED INDUSTRY PRACTICES, STANDARDS, AND APPROVALS.
3. DISSIMILAR METAL TYPES SUBJECT TO ELECTROLYTIC REACTION SHOULD BE PHYSICALLY SEPARATED.
4. REQUIREMENTS AND RECOMMENDATIONS DETAILED IN SIPLAST SPECIFICATIONS SHALL APPLY IN ADDITION TO THE ABOVE DRAWING.

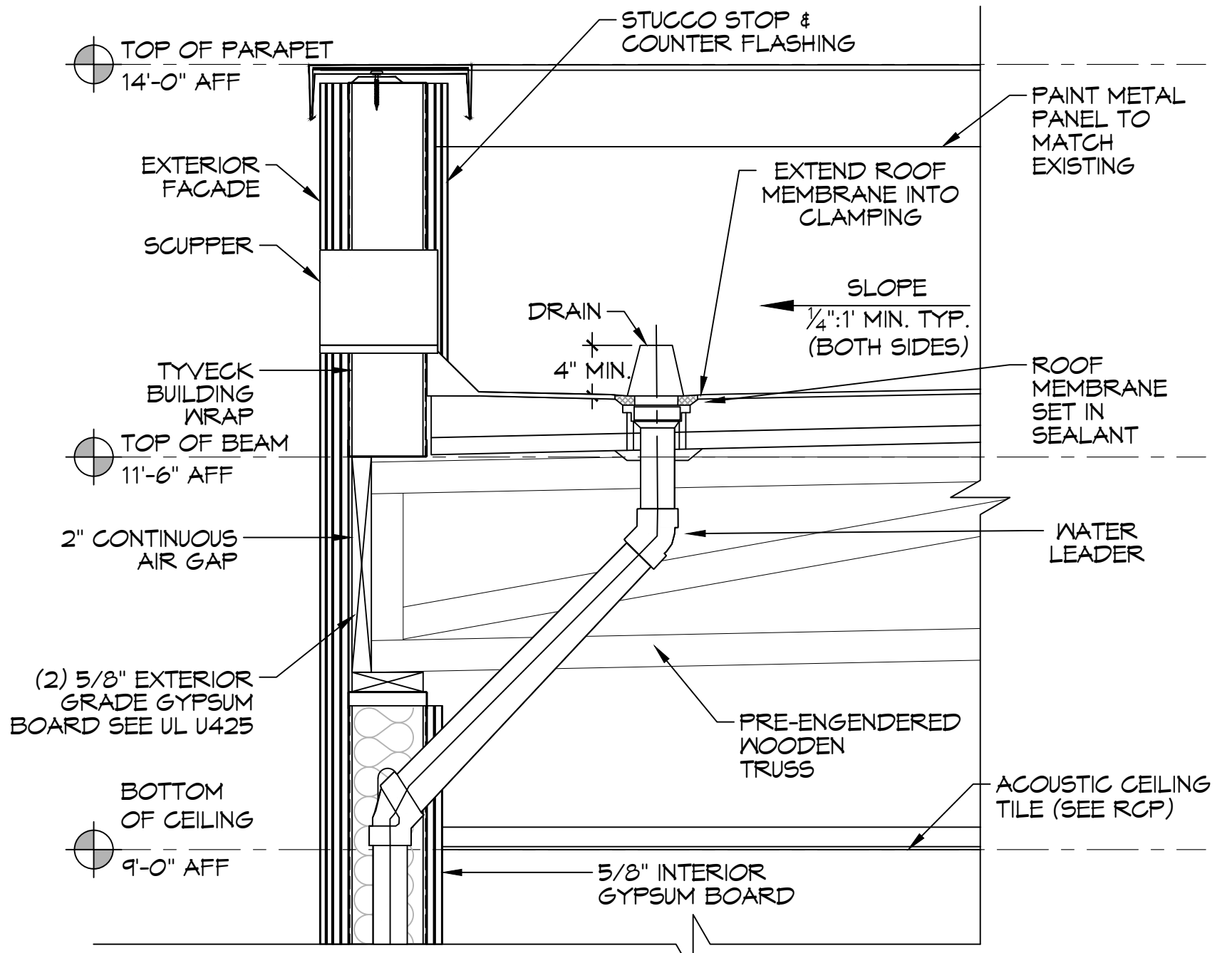
CAUTION: SIPLAST RECOMMENDS THAT ALL PRACTICES PERTAINING TO NRCA CERTA GUIDELINES BE FOLLOWED WHEN TORCHING METHODS ARE EMPLOYED. THIS INCLUDES PERFORMING A FIRE WATCH FOLLOWING ANY TORCH APPLICATIONS. ALWAYS HAVE APPROVED FIRE-EXTINGUISHING EQUIPMENT NEARBY.

TYP. CONDUITS/SMALL PIPE PENETRATION
SCALE: NTS

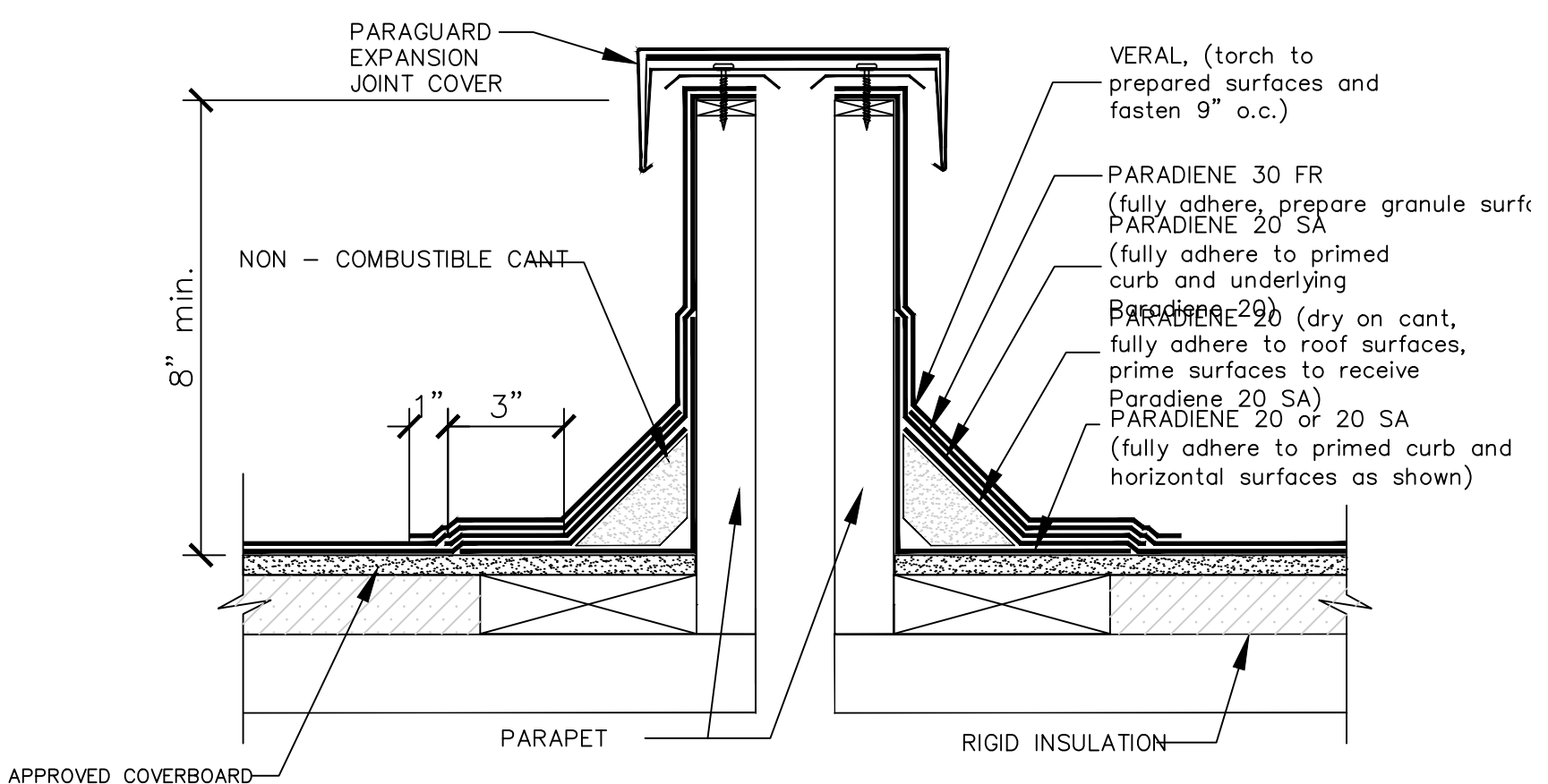


NOTES: 1. PREPARE GRANULE SURFACES UNDER FLASHING BY TORCH PREPARATION.
2. WHERE PRIMER IS INDICATED TO MAINTAIN PROPER ADHESION, TA-119 PRIMER IS REQUIRED FOR ALL PARADIENE 20 SA FLASHING REINFORCING AND STRIPPING PLY APPLICATIONS. USE PA-1125 OR PA-917 LS FOR ALL NON-PARADIENE 20 SA APPLICATIONS. CONTACT SIPLAST FOR SPECIFIC REQUIREMENTS.
3. THE CARPENTRY AND METAL WORK SHOWN DEPICTS SHOP FABRICATION AND JOB-SITE ASSEMBLY. THESE COMPONENTS SHOULD BE DESIGNED/FABRICATED/INSTALLED ACCORDING TO GENERALLY ACCEPTED INDUSTRY PRACTICES, STANDARDS, AND APPROVALS.
4. DISSIMILAR METAL TYPES SUBJECT TO ELECTROLYTIC REACTION SHOULD BE PHYSICALLY SEPARATED.
5. REQUIREMENTS AND RECOMMENDATIONS DETAILED IN SIPLAST SPECIFICATIONS SHALL APPLY IN ADDITION TO THE ABOVE DRAWING.

TYP. CURB DETAIL
SCALE: NTS



TYP. ROOF DRAIN & SCUPPER
SCALE: NTS



NOTES: 1. REFER TO THE PARAGUARD ROOF PERIMETER SYSTEM INSTALLER'S GUIDE FOR INFORMATION ON PRODUCTS, SIZING, AND INSTALLATION OF THE PARAGUARD SYSTEM.
2. WHERE PRIMER IS INDICATED TO MAINTAIN PROPER ADHESION, TA-119 PRIMER IS REQUIRED FOR ALL PARADIENE 20 SA FLASHING REINFORCING AND STRIPPING PLY APPLICATIONS. USE PA-1125 OR PA-917 LS FOR ALL NON-PARADIENE 20 SA APPLICATIONS. CONTACT SIPLAST FOR SPECIFIC REQUIREMENTS.
3. PREPARE GRANULE SURFACES UNDER FLASHING BY TORCH PREPARATION.
4. THE CARPENTRY WORK SHOWN DEPICTS SHOP FABRICATION AND JOB-SITE ASSEMBLY. THESE COMPONENTS SHOULD BE DESIGNED/FABRICATED/INSTALLED ACCORDING TO GENERALLY ACCEPTED INDUSTRY PRACTICES, STANDARDS, AND APPROVALS.
5. DISSIMILAR METAL TYPES SUBJECT TO ELECTROLYTIC REACTION SHOULD BE PHYSICALLY SEPARATED.
6. REQUIREMENTS AND RECOMMENDATIONS DETAILED IN SIPLAST SPECIFICATIONS SHALL APPLY IN ADDITION TO THE ABOVE DRAWING.

CAUTION: SIPLAST RECOMMENDS THAT ALL PRACTICES PERTAINING TO NRCA CERTA GUIDELINES BE FOLLOWED WHEN TORCHING METHODS ARE EMPLOYED. THIS INCLUDES PERFORMING A FIRE WATCH FOLLOWING ANY TORCH APPLICATIONS. ALWAYS HAVE APPROVED FIRE-EXTINGUISHING EQUIPMENT NEARBY.

TYP. FLASHING BETWEEN BUILDINGS
SCALE: NTS

DAMMON ENGINEERING, INC.
LOUISIANA & MISSISSIPPI
www.dammonengineering.com
info@dammonengineering.com
PH: 985.649.5832
Chief Engineer: Brian Mistich, PE
554 Old Spanish Trail
Slidell, LA 70458

#	DESCRIPTION	DATE



NEW ADDITION HONTAS MOB

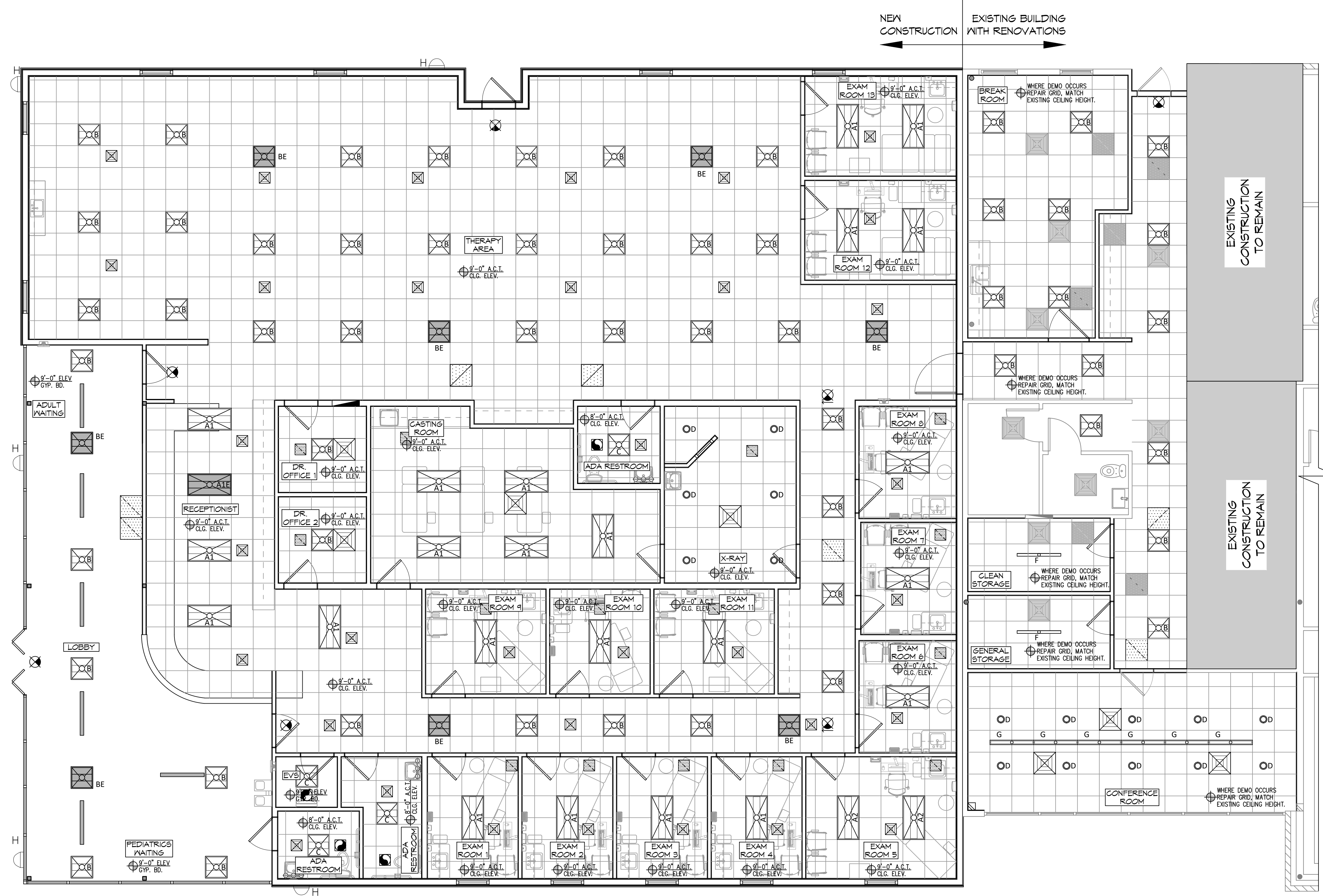
T2101 LA HWY 21
COVINGTON, LA 70439
JOB No: 2449
DATE: 05-06-2022
DRAWN BY: DFP
CHECKED BY: CKD

SHEET TITLE: ROOF PLAN
DRAWING NUMBER: A103

C.E. No. 11-2022-20407
 www.dammoneengineering.com
 info@dammoneengineering.com
 PH: 985.649.5832

REFLECTED CEILING LEGEND

- | | |
|--|--|
| <p> 2x4 COLUMBIA LGAT24-30-ML6-EU</p> <p> 2x4 COLUMBIA LGAT24-30-HL6-EU</p> <p> 2x4 COLUMBIA - EMERGENCY</p> <p> PRESCOLITE LTR-4RD-H-SL19L-DM1-LTR-4RD-T-SL30K9VDS</p> <p> EXTERIOR LIGHT, MATCH EXISTING & CONNECT TO EXISTING CIRCUIT</p> <p> VANITY LIGHT FIXTURE</p> <p> EXHAUST FAN - SEE MECHANICAL</p> <p> NEW SUPPLY AIR GRILLE</p> <p> EXISTING SUPPLY AIR GRILLE</p> <p> GYPSUM BOARD CEILING</p> | <p> 2x2 COLUMBIA LGAT22-30ML6-EU</p> <p> 2x2 COLUMBIA LGAT22-L595 (4400LM)</p> <p> 2x2 COLUMBIA - EMERGENCY</p> <p> 48" COLUMBIA MP34-35VM-CN-EDU</p> <p> 48" LITECONTROL 4L-P-D-4-SOF-X-CX-35K-D030</p> <p> EXIT LIGHT FIXTURE - CEILING MOUNTED</p> <p> NEW RETURN AIR FILTER GRILLE</p> <p> LINEAR SLOT DIFFUSER</p> <p> EXISTING RETURN AIR FILTER GRILLE</p> <p> 2x2 CEILING GRID</p> |
|--|--|



REFLECTED CEILING PLAN
 SCALE: 3/16" = 1'-0"

DAMMON ENGINEERING, INC.
 LOUISIANA & MISSISSIPPI
 Chief Engineer: Brian Misch, PE
 554 Old Spanish Trail
 Slidell, LA 70488
 www.dammoneengineering.com
 info@dammoneengineering.com
 PH: 985.649.5832

# DESCRIPTION	DATE



NEW ADDITION HONOLULU
 11211 LA HWY 21, 70488
 COVINGTON, LA
 JOB No: 2443
 DATE: 05-06-2022
 DRAWN BY: PDP
 CHECKED BY: CKD

SHEET TITLE:
 REFLECTED CEILING PLAN

DRAWING NUMBER:

A105

RTU SCHEDULE														
TAG	Make / Model	NOMINAL TONS	TOTAL CFM	O/A CFM	COOLING			HEAT			POWER	REMARKS		
					TOTAL MBH	SENSIBLE MBH	ESP (WC)	KW	VAC	HZ			PH	MCA
RTU-1	TRANE TSC09H3	7.5	3060	240	91.2	81.4	0.4	13.5	208	60	3	53	60	1, 2, 3, 4
RTU-2	TRANE TSC06E3	5	1930	220	53.3	39.7	0.4	4.5	208	60	3	29	40	1, 2, 3, 4
RTU-3	TRANE TSC09E3	7.5	2410	890	84.2	49.3	0.4	13.5	208	60	3	53	60	1, 2, 3, 4

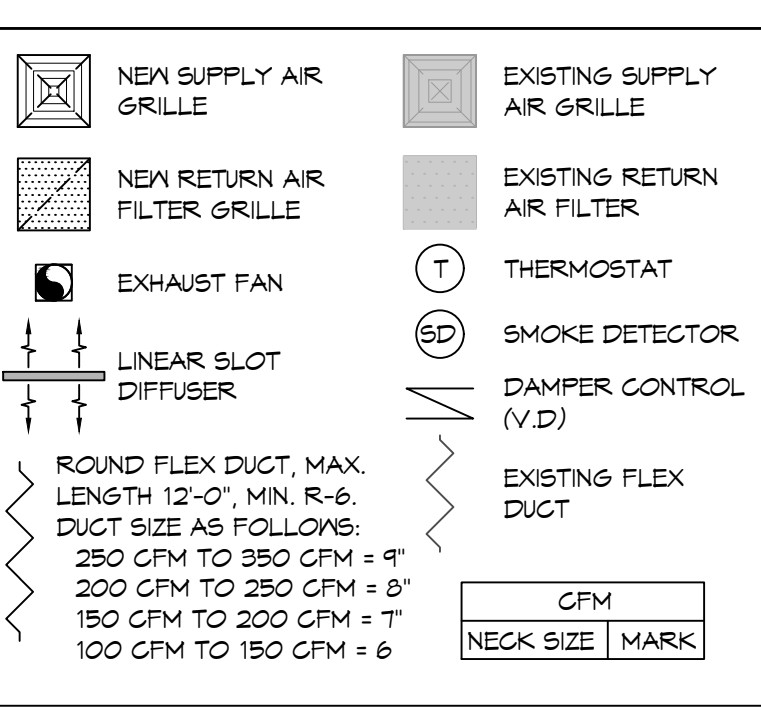
DIFFUSER SCHEDULE					
TAG	SERVICE	NECK SIZE	DESCRIPTION	REMARKS	
A	Supply Air	Ref. Plan	24" X 24" Adjustable Square Cone Diffuser, Price ASCDA w/ Insulated Back Panel	1, 2, 3	
B	Supply Air	Ref. Plan	12" X 12" Adjustable Square Cone Diffuser, Price ASCDA w/ Insulated Back Panel	1, 2, 3	
C	Supply Air	Ref. Plan	Linear Slot Diffuser w/ 3 x 1" Slots, Price SDS w/ SDA Plenum	1, 2, 3	
D	Return Air	Ref. Plan	24" X 24" Perforated, Ducted Return, Tiltus PAR	1, 2, 3	
E	Return Air	Ref. Plan	16" X 16" Perforated, Ducted Return, Tiltus PAR	1, 2, 3	
F	Return Air	Ref. Plan	12" X 12" Perforated, Ducted Return, Tiltus PAR	1, 2, 3	

- Notes:
- Seal perimeter of diffusers/grilles to prevent moisture migration from attic space
 - Coordinate with owner / architect for color and finish
 - R value of insulated back panels/plenums to exceed R-6

Exhaust Fan Schedule										
Tag	Service	Max. Airflow (CFM)	Fan TSP ("wc)	Watt s	Amps	Volts	Phase	Hz	Make / Model	Remarks
EF-1	Restroom Exhaust	80	0.1	43	NA	120	1	60	Broan A80	1

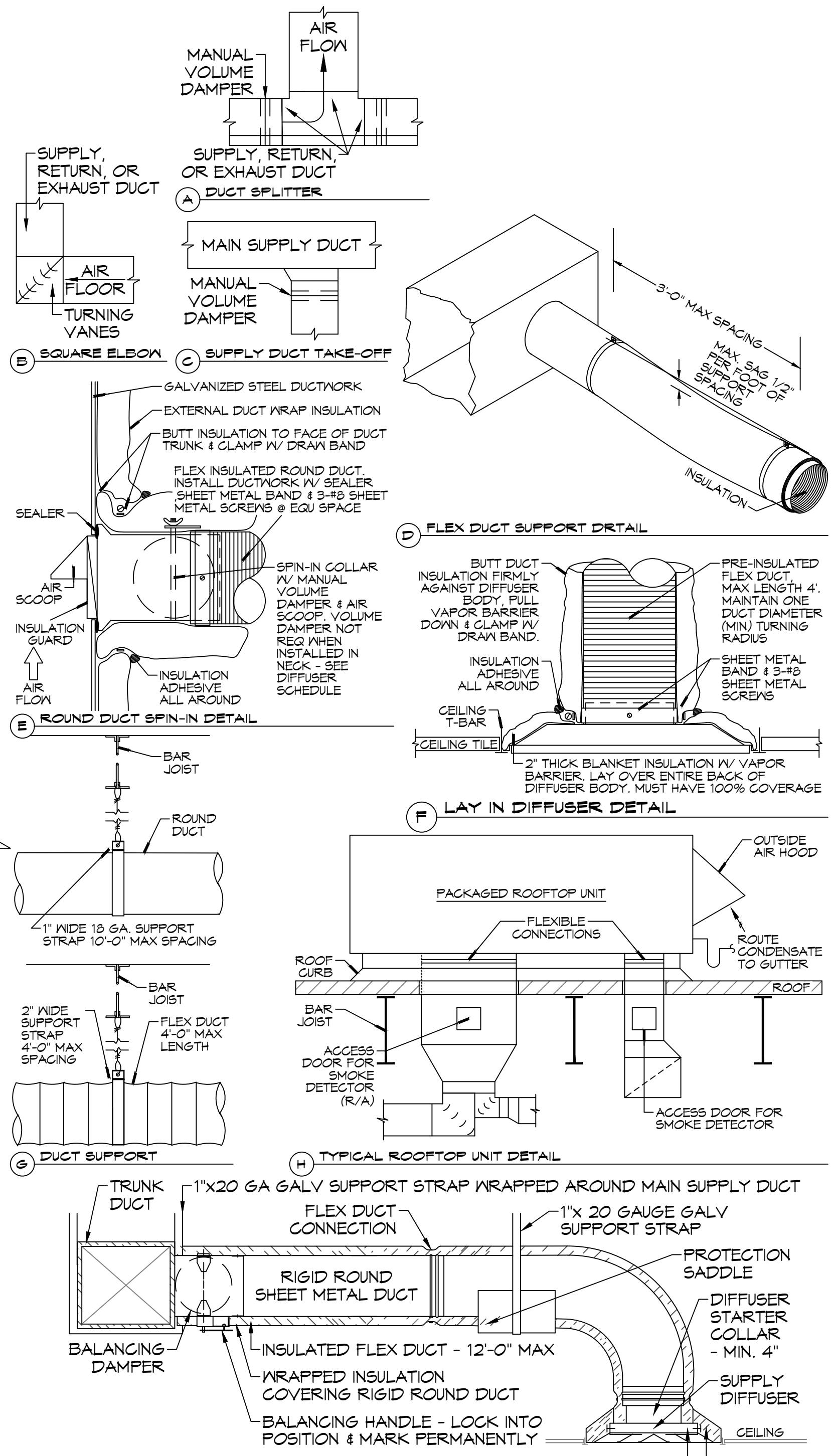
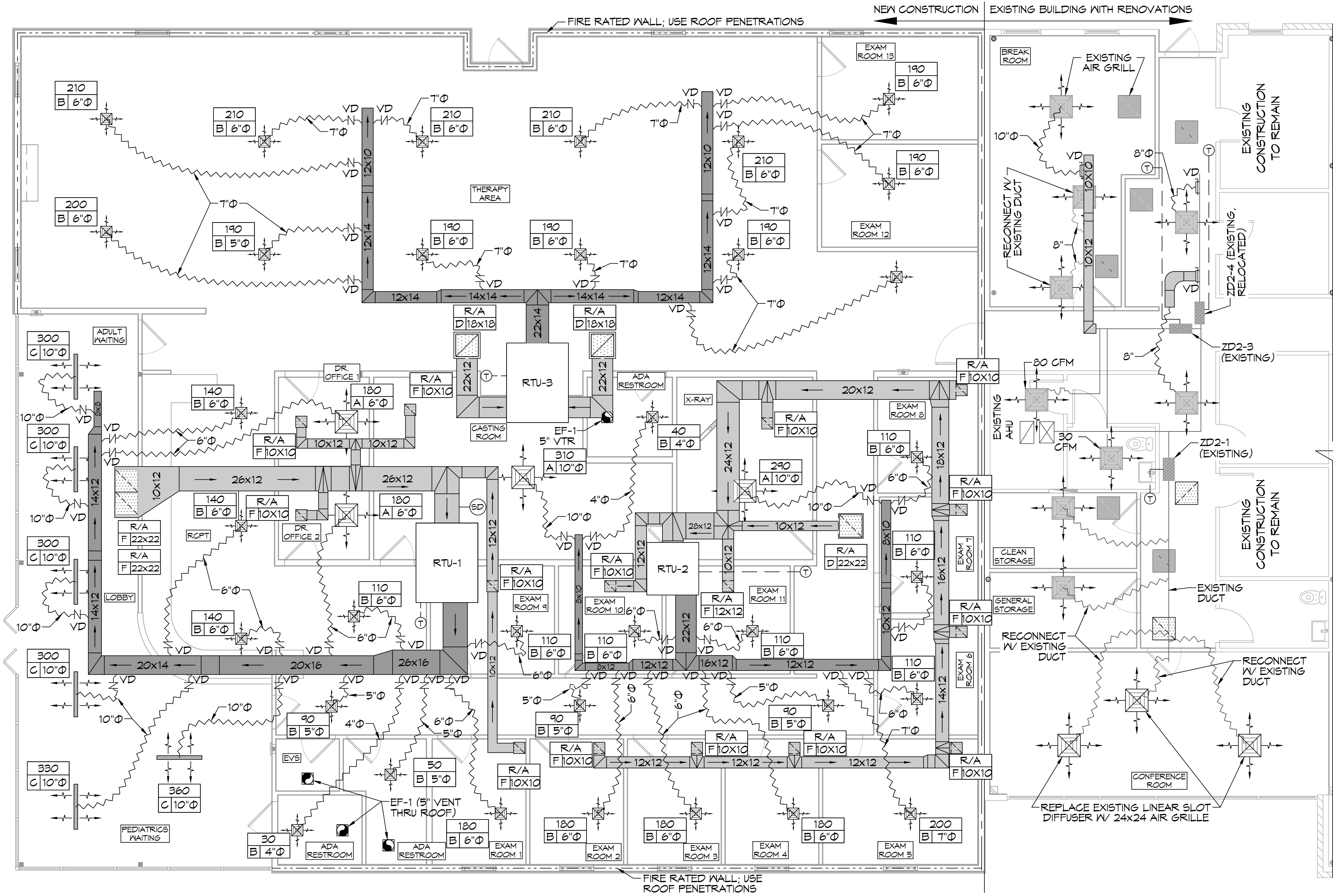
1. Provide dedicated wall switch

MECHANICAL LEGEND



GENERAL HVAC NOTES

- CONCEALED DUCTWORK TO BE GALVANIZED SHEET METAL WRAPPED WITH FIBROUS GLASS DUCT WRAP WITH FSK VAPOR BARRIER, MIN R-6. INSTALLED PER SMAGNA STANDARDS. DUCT WORK IMMEDIATELY DOWNSTREAM FROM RTU SHALL BE LINED FOR SOUND ATTENUATION.
- EXPOSED DUCTWORK TO BE GALVANIZED SHEET METAL LINED WITH FIBROUS GLASS DUCT LINER, MIN R-6. INSTALLED PER SMAGNA STANDARDS.
- ROUND FLEXIBLE DUCT TO BE UL-181, CLASS 1, AIR DUCT MATERIALS.
- DUCT SIZES SHOWN ARE CLEAR INSIDE DIMENSIONS.
- IN ALL SYSTEMS OVER 2000 CFM AND LESS THAN 15,000 CFM, SMOKE DETECTORS SHALL BE INSTALLED IN ACCORDANCE WITH NFPA 72E IN THE RETURN DUCT DOWNSTREAM OF THE AIR HANDLING UNIT AND ALL FILTERS TO AUTOMATICALLY STOP THE FAN.
- PROVIDE UL LISTED 125 F° FIRESTOP IN RETURN AIR OF EACH SYSTEM UNDER 2000 CFM TO SHUT DOWN THE FAN IN THE EVENT OF FIRE.
- PROVIDE UL RATED FIRE DAMPERS WHERE REQUIRED AT ALL DUCT PENETRATIONS OF FIRE-RATED ASSEMBLIES AND WHERE REQUIRED BY CODE, INCLUDING OUTSIDE AIR INTAKES AND EXHAUST FANS.
- CONDENSATE DRAINS TO BE PVC PIPE RUN TO PLUMBERS P-TRAP WITHIN FIVE FEET OF AIR HANDLING UNITS.
- ALL AIR HANDLING SYSTEMS TO BE BALANCED TO ASSURE PROPER AIR FLOWS PER PLANS.
- ALL THERMOSTATS TO BE AUTOMATIC CHANGEOVER WITH HEAT SWITCH.
- EXHAUST FAN SHALL BE CONTROLLED BY A SWITCH ON THE WALL IN THE SAME LOCATION AS LIGHT SWITCH(S). PROVIDE BACK DRAFT DAMPER.
- PROVIDE AND INSTALL WATER PROOF GRILLE VENT IN PROPER ROOF LOCATION FOR PLUMBING FIXTURE EXHAUST.
- ALL SUPPLY AIR VENTS SHALL BE EQUIPPED WITH AIR CONTROL DAMPERS AT THE REGISTER.
- LOCATE OUTDOOR UNITS AS SHOWN ON ARCHITECTURAL DRAWINGS.
- REFRIGERANT LINES SHALL BE SIZED BY UNIT MANUFACTURER AND INSTALLED ACCORDING TO MANUFACTURER'S INSTRUCTIONS.
- FRESH AIR SHALL BE SUPPLIED TO EACH AIR HANDLER THROUGH EXTERIOR WALL DUCT SUPPLIED WITH A CONTROL DAMPER.
- ALL ELECTRICAL, MECHANICAL, AND PLUMBING PENETRATING FIRE WALLS SHALL BE FIRE CAULKED. (PENETRATIONS THROUGH RATED CONSTRUCTION SHALL BE SEALED WITH A MATERIAL CAPABLE OF PREVENTING THE PASSAGE OF FLAMES AND HOT GASES WHEN TESTED IN ACCORDANCE WITH ASTM-E814).
- ALL MECHANICAL SYMBOLS ARE DRAWN DIAGRAMMATICALLY. CONTRACTOR TO VERIFY WITH OWNER LOCATIONS OF VENTS, DAMPERS, REGISTERS, ETC.
- FLEXIBLE DUCTWORK LENGTH NOT TO EXCEED 12'-0". SUPPORT FLEX DUCT TO PREVENT SAGGING.
- REFER TO REFLECTED CEILING PLAN FOR FINAL GRILLE AND DIFFUSER LOCATIONS AND COORDINATE AS REQUIRED.
- FINAL LOCATION OF TEMPERATURE CONTROLS TO BE COORDINATED WITH OWNER AT JOB SITE.
- PROVIDE AND INSTALL SMOKE DETECTORS AS APPROVED BY LOCAL AHJ'S. PLACE NEAR R/A AND S/A OPENINGS OF AHU AND PROVIDE, WITH ACCESS PANEL, WIRING BY ELECTRICAL CONTRACTOR.
- FRESH AIR INTAKES ARE REQUIRED TO HAVE MOTORIZED OR GRAVITY DAMPERS TO SHUT OFF WHEN SYSTEM IS NOT RUNNING.
- PROVIDE BIRD SCREENS AT ALL EXTERIOR MECHANICAL PENETRATIONS.
- COORDINATE WALL MOUNTED THERMOSTAT LOCATIONS WITH ALL OWNER FURNISHED ITEMS EITHER WALL MOUNTED OR FLOOR MOUNTED AGAINST PARTITIONS. REFER TO ARCHITECTURAL DRAWINGS.
- PROVIDE MIN 18 GA GALVANIZED SHEET METAL TO BLANK-OFF GABLE VENTS WHERE INTAKE/EXHAUST DUCTS OCCUR.



DAMMON ENGINEERING, INC.

LOUISIANA & MISSISSIPPI

Chief Engineer: Brian Mitchell, PE
554 Old Spanish Trail
Slidell, LA 70458
www.dammonengineering.com
info@dammonengineering.com
PH: 985.649.5832

DATE	REVISIONS



NEW ADDITION

MECHANICAL PLAN

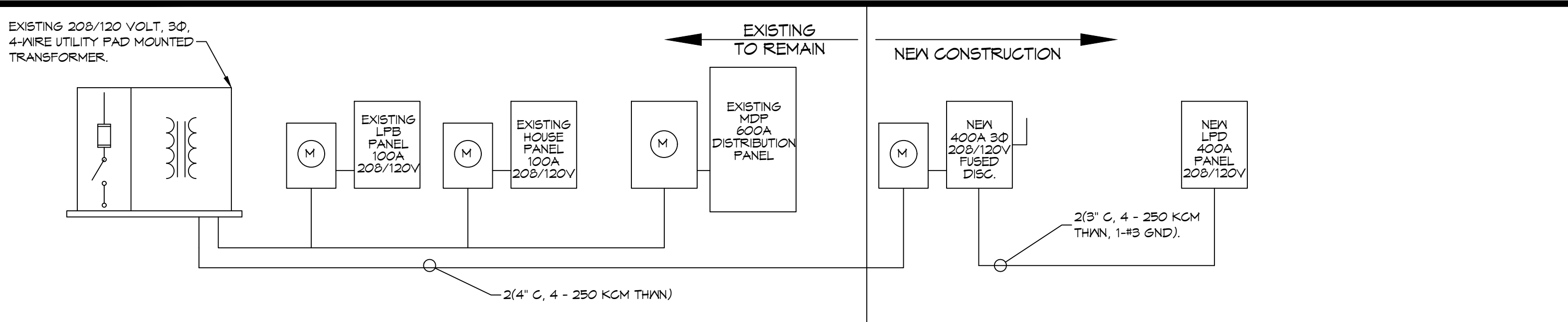
DRAWING NUMBER: M101

SHEET No: 17 of 14

DATE: 05-06-2022

CHECKED BY: [Signature]

DRAWN BY: [Signature]

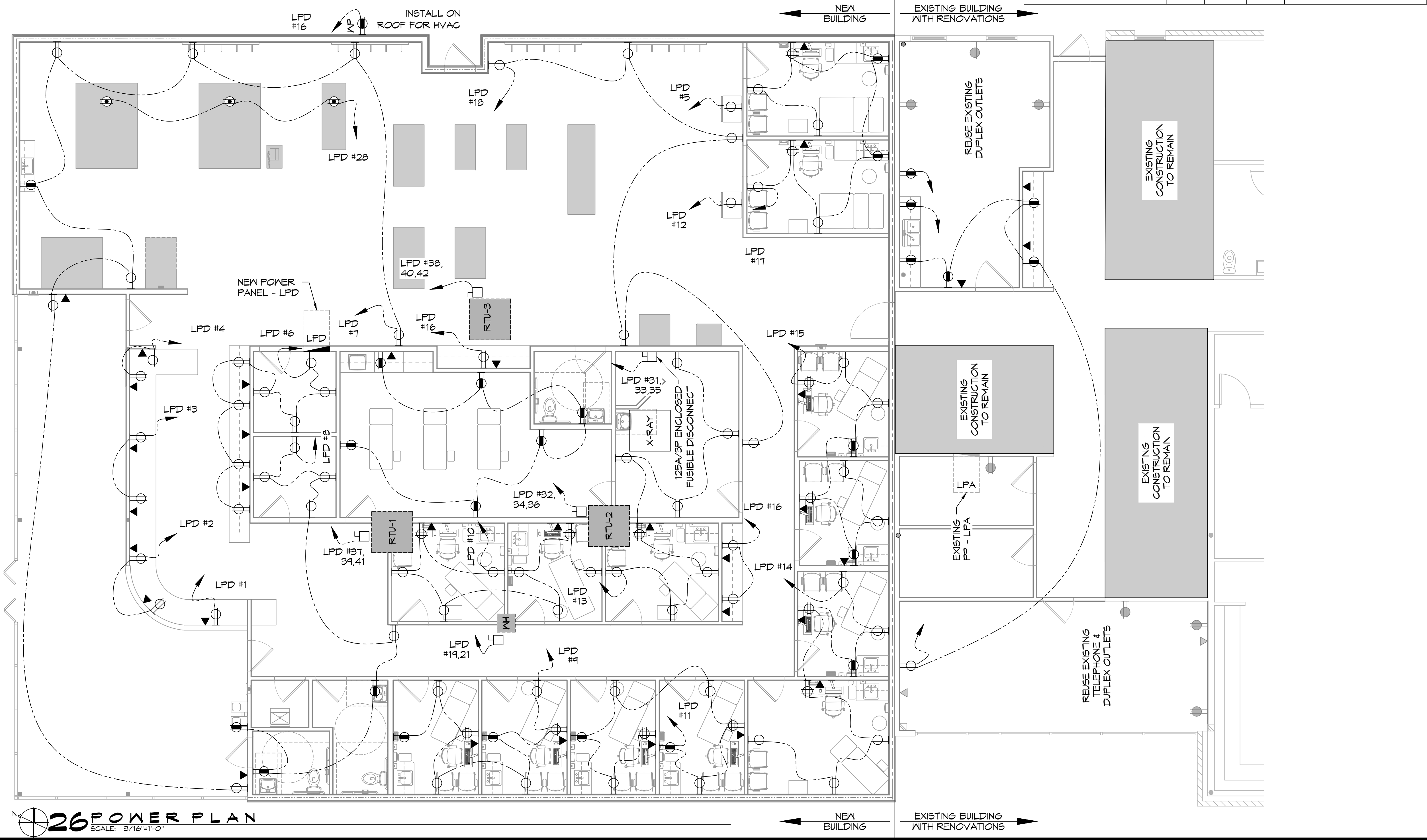


ONE LINE DIAGRAM
SCALE: N.T.S.

CKT NO	THHN WIRE SIZE	LOAD DESCRIPTION	BREAKER AMP	POLE	VOLTAGE ENCLOSURE						THHN WIRE SIZE	CKT NO				
					120V	208V	240V	480V	575V	600V						
1	12	OUTLETS	20	1	0.2					0.4	1	20	12	2		
3	12	OUTLETS	20	1	0.4					0.4	1	20	OUTLETS	12	4	
5	12	PHYSICAL THERAPY HOT PACKS	20	1	1.5					1.4	1	20	OUTLETS	12	6	
7	12	OUTLETS	20	1	1.4					1.4	1	20	OUTLETS	12	8	
9	12	OUTLETS	20	1	1.4					1.4	1	20	OUTLETS	12	10	
11	12	OUTLETS	20	1	1.4					0.5	1	20	PHYSICAL THERAPY ICE PACKS	12	12	
13	12	OUTLETS	20	1	1.4					1.4	1	20	OUTLETS	12	14	
15	12	OUTLETS	20	1	1.4					0.8	1	20	OUTLETS	12	16	
17	12	OUTLETS	20	1	1.4					0.8	1	20	OUTLETS	12	18	
14	10	WATER HEATER	30	1	2.3								SPARE	20		
21	10	WATER HEATER	30	1	2.3								SPARE	20		
23	12	FRONT & REAR DOORS	20	1	1.4					1.3	1	20	LIGHTS	12	24	
25	12	LIGHTS	20	1	1.1					1.3	1	20	LIGHTS	12	26	
27	12	SPARE	20	1						0.5	1	20	PHYSICAL THERAPY EXERCISE TABLES	12	28	
24	12	SPARE	20	1									SPARE	20		
31					0.3					3.5			RTU 2 MATCH BREAKER TO UNIT INSTALLED	32		
33					0.3					3.5			RTU 2 MATCH BREAKER TO UNIT INSTALLED	34		
35					0.3					3.5			RTU 2 MATCH BREAKER TO UNIT INSTALLED	36		
37					0.4					6.4			RTU 3 MATCH BREAKER TO UNIT INSTALLED	40		
41					0.4					6.4			RTU 3 MATCH BREAKER TO UNIT INSTALLED	42		
					TOTAL CONNECTED LOAD (KW) = 10.0											
					AD = 4.03						SD = 30.2			GP = 34.3		

GENERAL POWER NOTES

- ALL WORK SHALL CONFORM TO THE LATEST EDITION OF THE NATIONAL ELECTRICAL CODE, THE GOVERNING ELECTRICAL CODE AND ALL OTHER INSPECTION DEPARTMENTS HAVING JURISDICTION. OBTAIN CERTIFICATES OF APPROVAL WHERE REQUIRED. ELECTRICAL CONTRACTORS SHALL VERIFY ALL WIRE AND CONDUIT SIZES FOR MECHANICAL EQUIPMENT TO BE INSTALLED.
- ALL MATERIALS FURNISHED SHALL BE NEW AND SHALL BE U.L. LISTED.
- THE DRAWINGS INDICATE SIZE AND GENERAL LOCATION OF WORK. SCALE DIMENSIONS SHALL NOT BE USED. THE EXACT LOCATION OF ALL LIGHTING FIXTURES, RECEPTACLES AND TELEPHONE LOCATIONS, ETC. SHALL BE DETERMINED BY ACTUAL CONDITIONS IN THE FIELD.
- PRIOR TO BIDDING, CONTRACTOR SHALL VISIT THE JOB SITE AND FAMILIARIZE THEMSELVES WITH THE EXISTING CONDITIONS.
- ELECTRICAL CONTRACTOR SHALL COORDINATE HIS WORK WITH OTHER TRADES AND WITH OTHER CONTRACTORS WHOSE WORK MAY AFFECT THIS INSTALLATION.
- ELECTRICAL CONTRACTOR SHALL COORDINATE INCOMING ELECTRICAL SERVICE WITH UTILITY COMPANY AND INCLUDE IN HIS BID ALL CHARGES AND FEES INCURRED IN MODIFICATIONS.
- ELECTRICAL CONTRACTOR SHALL COORDINATE THE TELEPHONE INSTALLATION WITH THE TELEPHONE COMPANY AND THE GENERAL CONTRACTOR.
- ELECTRICAL CONTRACTOR, BEFORE INSTALLING ANY OF THE WORK, SHALL SEE THAT IT DOES NOT INTERFERE WITH CLEARANCES REQUIRED FOR FINISHED CEILINGS, HUNG CEILINGS, PLASTER, PARTITIONS, WALLS, ETC. AS SHOWN IN THE ARCHITECTURAL DRAWINGS AND DETAILS. IF ANY WORK IS INSTALLED AND IT LATER DEVELOPS THAT SUCH DETAILS OR DESIGN CANNOT BE FOLLOWED, THE CONTRACTOR, AT HIS OWN EXPENSE, SHALL MAKE SUCH CHANGES IN THE WORK AS DIRECTED BY THE ARCHITECT, AS WELL AS TO PERMIT THE INSTALLATION OF THE ARCHITECTURAL WORK AS SHOWN ON THE PLANS AND DETAILS.
- PERFORM TEST REQUIRED BY THE OWNER OR THE ENGINEER IN CONNECTION WITH THE OPERATION OF THE ELECTRICAL SYSTEM IN THE BUILDING. ALL TESTS SHALL BE MADE IN ACCORDANCE WITH THE LATEST STANDARD OF THE IEEE AND THE NATIONAL ELECTRICAL CODE.
- MINIMUM CONDUCTOR SIZE SHALL BE #12, 600V INSULATION. MINIMUM SIZE CONDUIT SHALL BE 3/4" ELECTRICAL METALLIC TUBING (EMT) FOR INTERIOR USE, 3/4" SCHEDULE 80 PVC FOR EXTERIOR USE ABOVE GRADE AND 1" SCHEDULE 40 PVC FOR EXTERIOR USE BELOW GRADE, BURIED A MINIMUM OF 18" FOR NON-VEHICULAR TRAFFIC AREAS AND 36" IN VEHICULAR TRAFFIC AREAS. EMT SHALL BE USED WITH METAL STUD CONSTRUCTION AND ALL ASSEMBLY OCCUPANCIES: USE NMC IN WOOD CONSTRUCTION. 6 FT LENGTH MC CABLES IS ALLOWED ABOVE DROPPED CEILING. INTERIOR FITTINGS SHALL BE CAST WHERE EXPOSED ON WALLS, AND EXTERIOR FITTINGS SHALL BE CAST BOXES WITH NEMA 3R COVER(S).
- CONTRACTOR SHALL INSTALL WIRING, CIRCUIT BREAKERS AND OTHER CIRCUIT COMPONENTS TO MATCH EQUIPMENT ACTUALLY INSTALLED.
- ALL 120V RUNS LONGER THAN 60 FEET SHALL BE #10 AWG AND 2TTV RUNS LONGER THAN 150 FEET SHALL BE #10 AWG UNLESS NOTED OTHERWISE.
- INSTALL GROUND FAULT RECEPTACLES AT RECEPTACLE LOCATIONS WITHIN 5' OF SINKS OR LAVATORIES, AND AT EXTERIOR LOCATIONS. EXTERIOR RECEPTACLES SHALL ALSO BE WATERPROOF. ALL RECEPTACLES IN THE KITCHEN AREA SHALL HAVE GROUND FAULT PROTECTION.
- BONDING AND GROUNDING SHALL BE IN ACCORDANCE WITH NFPA 70:250-63, NFFR 250-23, 250-11 & 250-12.
- GROUND NEUTRAL IN ACCORDANCE WITH NFPA 70:250-230.
- FUSES SHALL BE ITC CLASS K5, 250 VOLT, 200,000 AMP INTERRUPTING CAP.
- PROVIDE SERVICES OF A FIRE/SMOKE DETECTION AND ALARM COMPANY TO DESIGN AND INSTALL ALARM SYSTEM TO MEET REQUIREMENTS OF THE STATE FIRE MARSHALL AND THE FIRE DISTRICT.
- EXTERIOR LIGHTING SHALL BE SHADED OR INWARDLY DIRECTED IN SUCH A MANNER SO THAT NO DIRECT LIGHTING OR GLARE IS CAST BEYOND THE PROPERTY LINE. THE INTENSITY OF SUCH LIGHTING SHALL NOT EXCEED ONE FOOT CANDLE AS MEASURED AT THE ABUTTING PROPERTY LINE.
- ALL ELECTRICAL, MECHANICAL AND PLUMBING PENETRATING FIRE PARTITIONS SHALL BE FIRE CAULKED. PENETRATIONS THROUGH RATED CONSTRUCTION SHALL BE SEALED WITH A MATERIAL CAPABLE OF PREVENTING THE PASSAGE OF FLAMES AND HOT GASES WHEN TESTED IN ACCORDANCE WITH ASTM-E814.
- VERIFY ELECTRICAL CONNECTIONS PER MANUFACTURER'S RECOMMENDATIONS.
- ALL BRANCH CIRCUITS SERVING PATIENT CARE AREAS SHALL PROVIDE AN EFFECTIVE GROUND-FAULT CURRENT PATH BY INSTALLATION IN A METAL RACEWAY SYSTEM OR A MEDICAL GRADE MC CABLE (NEC ART. 517.13(A & B)).



26 POWER PLAN
SCALE: 3/16"=1'-0"

POWER LEGEND

- STANDARD 120V DUPLEX RECEPTACLE, 18" AFF (UNLESS OTHERWISE NOTED)
- FUSED DISCONNECT, FUSE PER MANUFACTURER'S RECOMMENDATIONS.
- DATA OUTLET
- EXISTING TELEPHONE OUTLET
- WATER HEATER - ATTIC
- WEATHER-PROOF GFCI DUPLEX RECEPTACLE MOUNTED @ 30" AFF (UNLESS OTHERWISE NOTED)
- GFCI DUPLEX RECEPTACLE
- FLOOR MOUNTED RECEPTACLE
- STANDARD 120V QUAD RECEPTACLE @ 18" AFF (UNLESS OTHERWISE NOTED)
- EXISTING DUPLEX OUTLET
- HOME RUN

EQUIPMENT LIST

MK	EQUIPMENT	NOTES
A	MATRIX	
B	EXERCISE TABLE	
C	WEB SLIDE WORKOUT AREA	
D	E-STIM CART	
E	PHYSICAL THERAPY TABLE	
F	ELLIPTICAL	
G	BIKE	
H	NUSTEP	
J	UBE	
K	SHUTTLE	
L	ICE PACK FREEZER	
M	HOT PACKS	
N	REBOUNDER	
O	COUNTER FOR HOT/COLD PKGS	
P	STORAGE RACK	

DAMMON ENGINEERING, INC.
LOUISIANA & MISSISSIPPI

Chief Engineer: Brian Mitchell, PE
www.dammonengineering.com
info@dammonengineering.com
Sibley, LA 70459
PH: 985.649.5832

#	DESCRIPTION	DATE
1	REVISED HVAC PLACEMENT	3/9/2022
2	ADDED EXAM ROOMS 12 & 13	4/9/2022



NEW ADDITION HONTAS MOB

1121 LA HWY 21
COVINGTON, LA 70433
JOB No: 2443
DRAWN BY: DPD
DATE: 05-06-2022
CHECKED BY: GCD

SHEET TITLE:
POWER PLAN AND PANEL SCHEDULE

DRAWING NUMBER:

E101

SHEET No: 16 of 19

DATE: 05/06/2022 11:58 AM PROJECT: 2443 - HONOLULU MOB DRAWN BY: JLD CHECKED BY: JLD

LIGHTING LEGEND

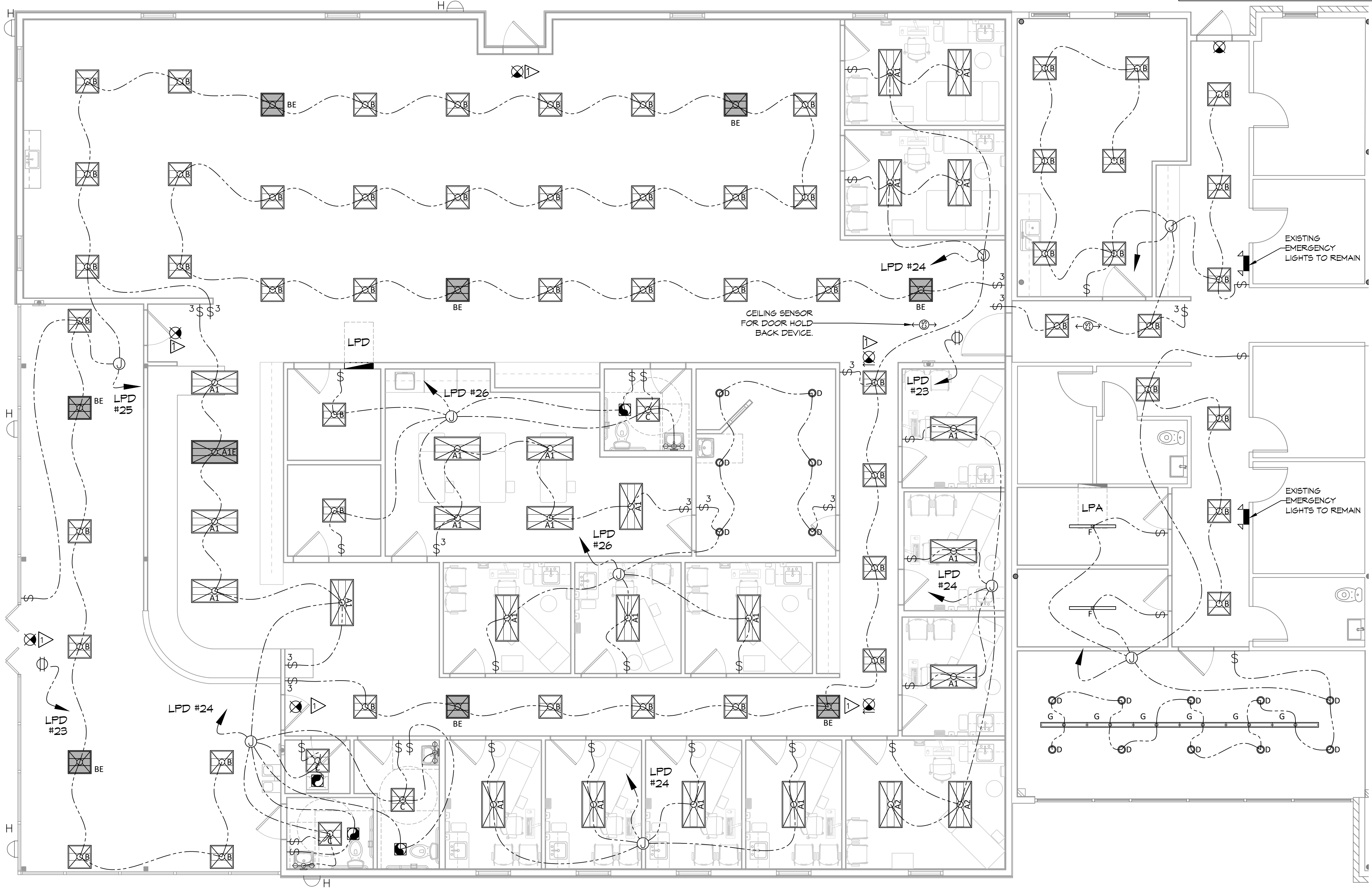
	2x4 COLUMBIA LCAT24-30-MLG-EU (E INDICATES EMERGENCY LIGHT)		2x2 COLUMBIA LCAT22-30MLG-EU (E INDICATES EMERGENCY LIGHT)
	2x4 COLUMBIA LCAT24-30-HLG-EU		2x2 COLUMBIA LCAT22-L535 (4400LM)
	PRESCOLITE LTR-4RD-H-SL15L-DM1- LTR-4RD-T-SL30K-BVDS		48\"/>
	EXTERIOR LIGHT, MATCH EXISTING AND CONNECT TO EXISTING CIRCUIT		48\"/>
	VANITY LIGHT FIXTURE		EXIT LIGHT FIXTURE - CEILING MOUNTED
	EXHAUST FAN - SEE MECHANICAL		POLE MOUNTED LIGHT; MATCH EXISTING; CONNECT TO EXISTING CIRCUIT
	JUNCTION BOX		EXISTING POWER PANEL (LPA)
	SINGLE POLE LIGHT SWITCH		NEW POWER PANEL (LPD)
	3 WAY LIGHT SWITCH		CEILING SENSOR
	CEILING OUTLET		HOME RUN

- ### GENERAL LIGHTING NOTES
- ALL WORK SHALL COMPLY WITH APPLICABLE NATIONAL, STATE, AND LOCAL CODES, RULES, REGULATIONS, AND REQUIREMENTS OF THE SERVICE UTILITY COMPANY.
 - GENERAL CONTRACTOR SHALL NOTIFY THE ARCHITECT IMMEDIATELY IF ANY CONFLICTS OCCUR BETWEEN LIGHTING AND ANY OTHER TRADE. DO NOT PROCEED WITH INSTALLATION IN THAT AREA UNTIL CONFLICT HAS BEEN RESOLVED TO THE SATISFACTION OF THE ARCHITECT AND ENGINEER.
 - REFER TO ARCHITECTURAL DRAWINGS FOR EXACT LOCATION AND MOUNTING INSTRUCTIONS FOR ALL LIGHT FIXTURES. NOTIFY THE ARCHITECT AND ENGINEER OF ANY DISCREPANCIES BETWEEN THESE PLANS AND THE ARCHITECTURAL PLANS RELATING TO QUANTITY, TYPE AND LOCATION OF DEVICES AND/OR FIXTURES.
 - WHEN SPECIFIC LIGHT FIXTURE HAS BEEN SPECIFIED IN THE FIXTURE SCHEDULE, ELECTRICAL CONTRACTOR SHALL PROVIDE COMPLETE ASSEMBLY INCLUSIVE ALL PARTS AND HARDWARE TO INSURE PROPER FUNCTIONING FIXTURE.
 - ALL CONDUCTORS SHALL BE A MINIMUM OF #12 AWG UNLESS NOTED OTHERWISE.
 - ALL 120V RUNS LONGER THAN 60 FEET SHALL BE #10 AWG AND 277V RUNS LONGER THAN 150 FEET SHALL BE #10 AWG UNLESS NOTED OTHERWISE.
 - ALL CONDUCTORS SHALL BE COPPER.
 - WHERE CONDUCTOR SIZES ARE NOTED ON DRAWINGS, THAT WIRE SIZE SHALL BE THROUGH THE ENTIRE RUN UNLESS OTHERWISE NOTED.
 - MOUNTED LIGHT SWITCHES 48" AFF UNLESS NOTED OTHERWISE ON ARCHITECTURAL DRAWINGS.
 - WHERE MORE THAN ONE SWITCH OCCURS IN THE SAME LOCATION, THEY SHALL BE INSTALLED IN A GANG TYPE BOX UNDER ONE COVER PLATE. ALL GANGED SWITCHES SHALL HAVE A COMMON SEAMLESS FACEPLATE. EACH MULTI-GANGED BOX SHALL BE NO MORE THAN SIX (6) SWITCHES WIDE. WHERE MORE THAN SIX (6) SWITCHES ARE SHOWN AT ONE (1) LOCATION, ADDITIONAL MULTI-GANGED BOXES SHALL BE STACKED VERTICALLY AND THE WIDTH OF THE MULTI-GANGS SHALL BE AS EVEN AS POSSIBLE.
 - EACH DIMMER SWITCH SHALL HAVE A WATTAGE RATING 25% HIGHER THAN THE TOTAL WATTAGE OF ALL LIGHTS TO BE CONTROLLED BY THE DIMMER. DIMMER SIZES 600, 1000, 1500, AND 2000 WATTS. LUTRON NOVA T-STAR. WHERE SWITCHES ARE GANGED WITH DIMMERS, THE SWITCHES SHALL ALSO BE LUTRON NOVA T-STAR. FLUORESCENT AND LOW VOLTAGE DIMMERS SHALL BE LUTRON NOVA T-STAR.
 - ALL EMERGENCY EXIT LIGHT FIXTURES SHALL HAVE 90 MINUTE BATTERY BACKUP WITH INTEGRAL TEST BUTTON AND SHALL BURN CONTINUOUSLY.
 - ALL FLUORESCENT FIXTURES THAT UTILIZE DOUBLE-ENDED LAMPS AND CONTAIN BALLASTS SHALL BE PROVIDED WITH A DISCONNECTING MEANS IN ACCORDANCE WITH NEC 410.136.

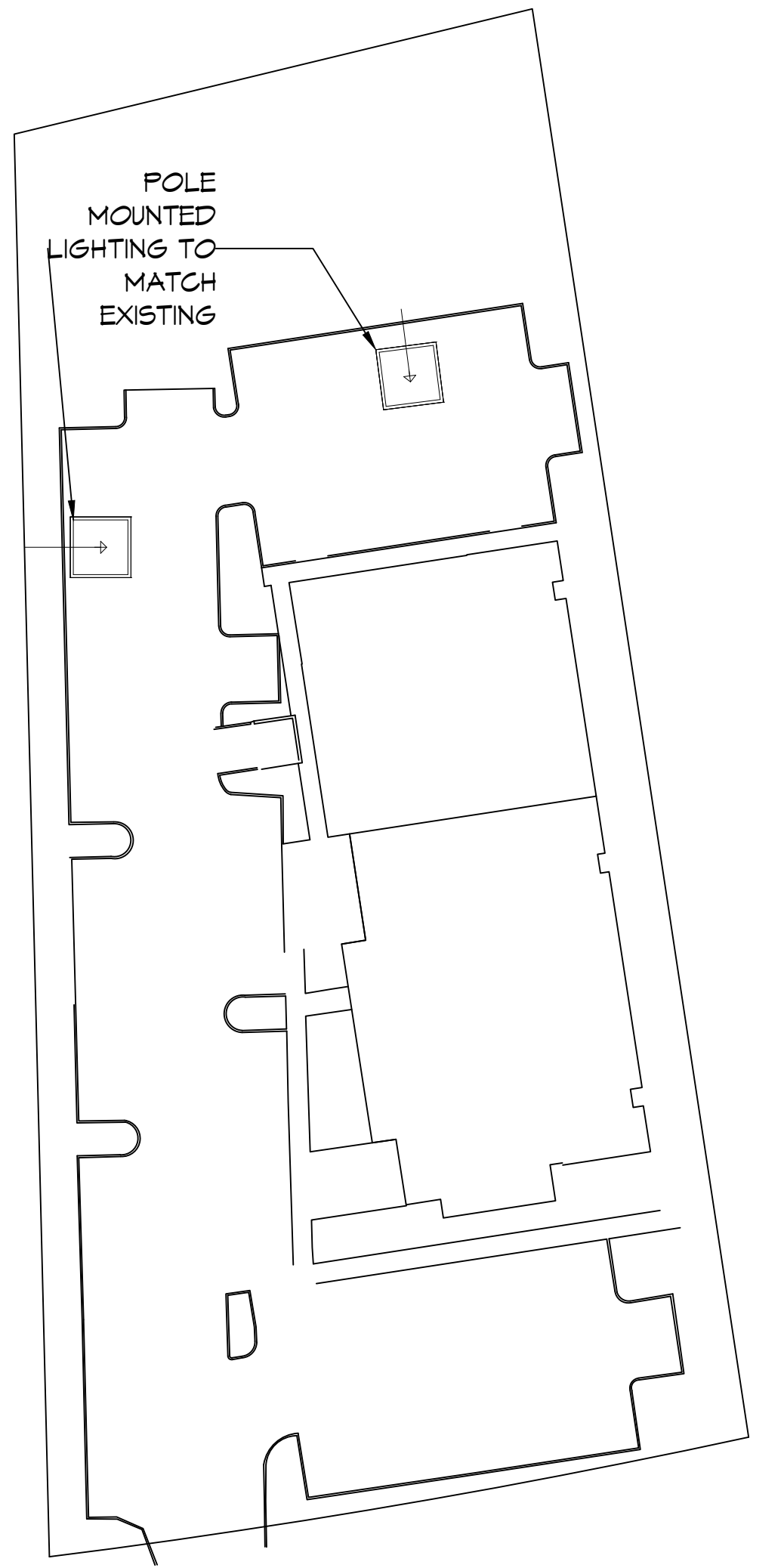
DAMMON ENGINEERING, INC.

LOUISIANA & MISSISSIPPI

Chief Engineer: Brian Misch, PE
www.dammonengineering.com
info@dammonengineering.com
PH: 985.649.9832



SITE LIGHTING		KEYED NOTES	
EXTERIOR LIGHTING SHALL BE SHADED OR INWARDLY DIRECTED IN SUCH A MANNER SO THAT NO DIRECT LIGHTING OR GLARE BE CAST BEYOND THE PROPERTY LINE. THE INTENSITY OF SUCH LIGHTING SHALL NOT EXCEED ONE FOOT CANDLE AS MEASURED AT THE ABUTTING PROPERTY LINE.		PROVIDE CONNECTION TO UN-SWITCHED HOT LIGHTING CIRCUIT AND SHALL HAVE 90 MINUTE EMERGENCY BATTERY BACKUP.	



REVISIONS	
#	DESCRIPTION
1	REMOVED HVAC RETURN IN EXISTING FACILITY
2	ADDED EXAM ROOMS 12 & 13



27 LIGHTING PLAN
SCALE: 3/16"=1'-0"

POLE MOUNTED SITE LIGHTING
SCALE: N.T.S.

NEW ADDITION
HONOLULU MOB

11211 LA HWY 21
COVINGTON, LA 70453
JOB No: 2443 DATE: 05-06-2022
DRAWN BY: JLD CHECKED BY: JLD

SHEET TITLE:
LIGHTING PLAN

DRAWING NUMBER:

E102

SHEET No: 15 of 19