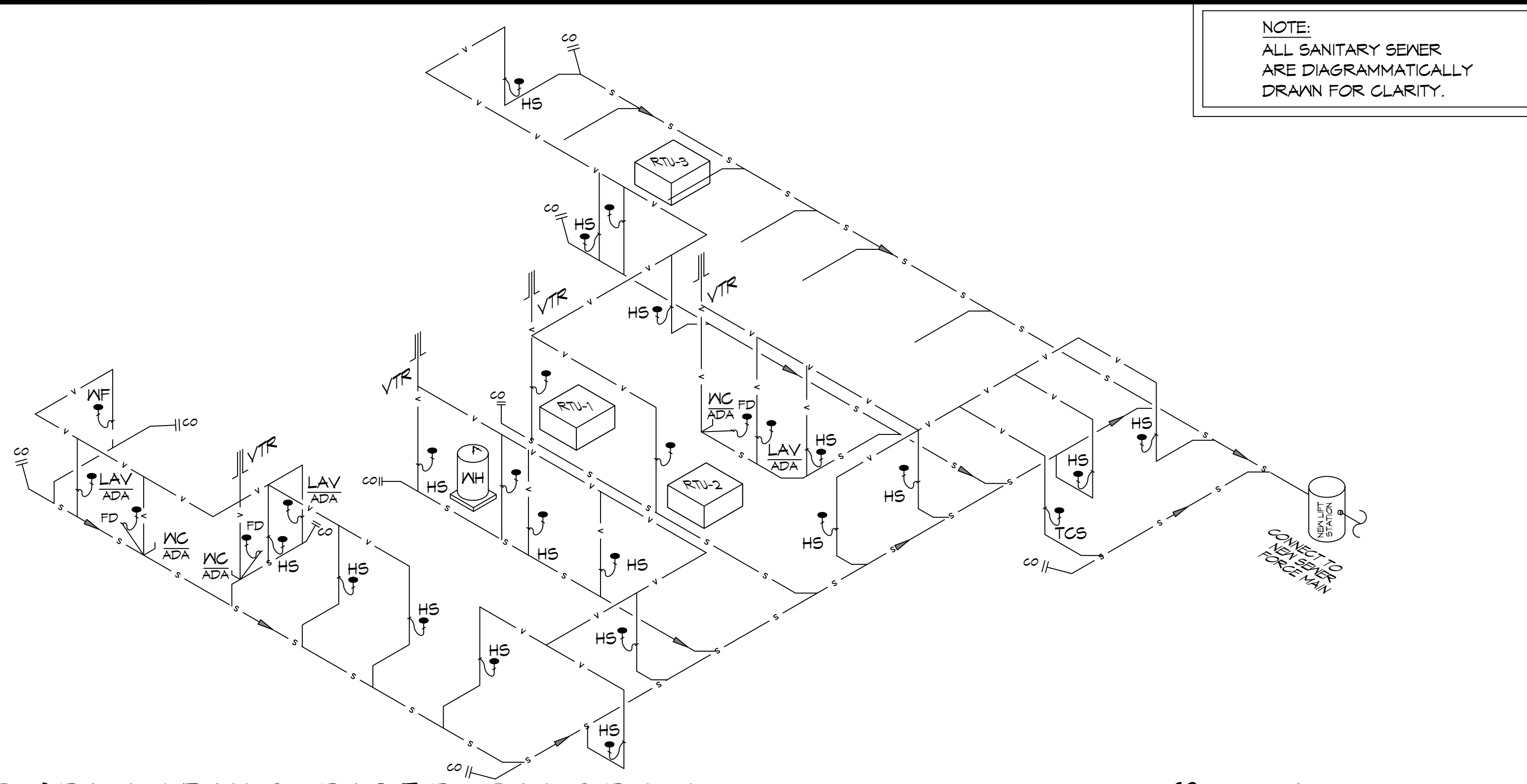
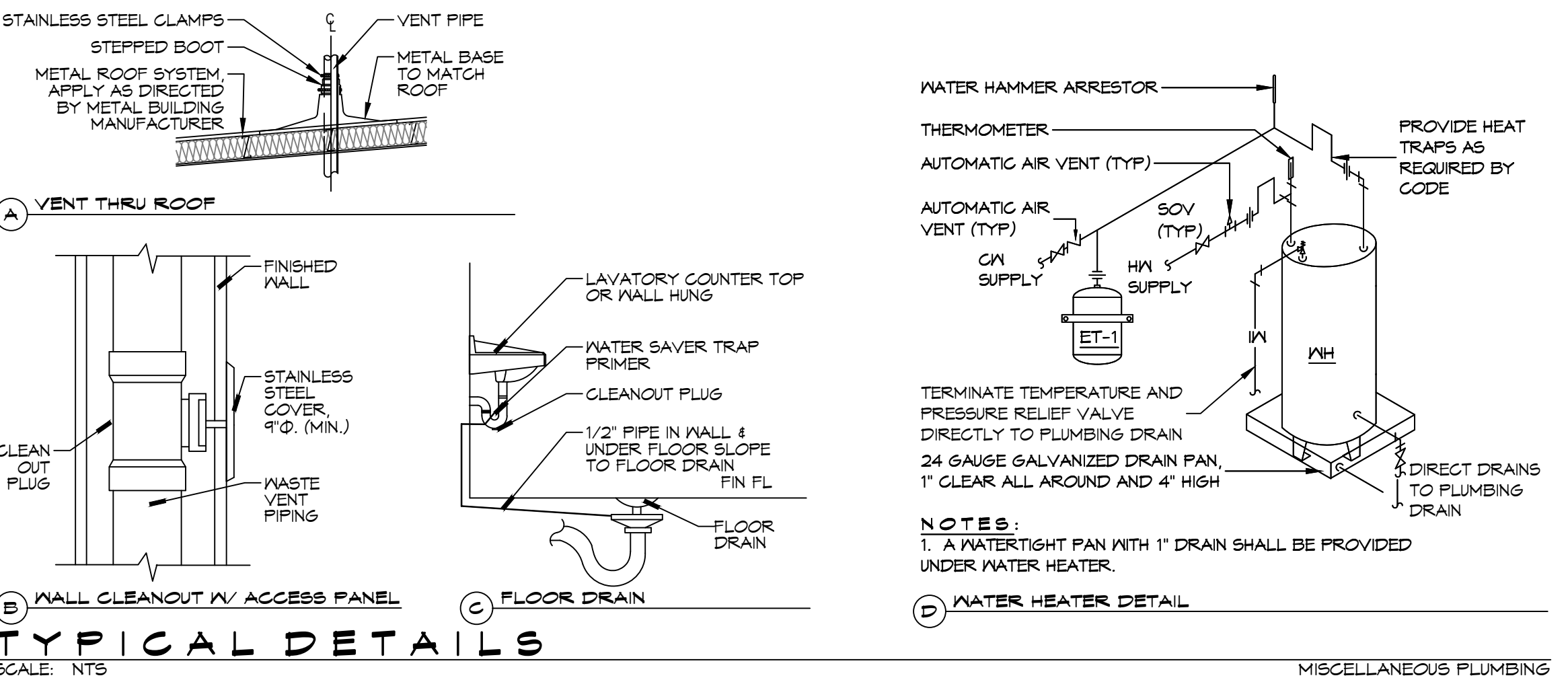


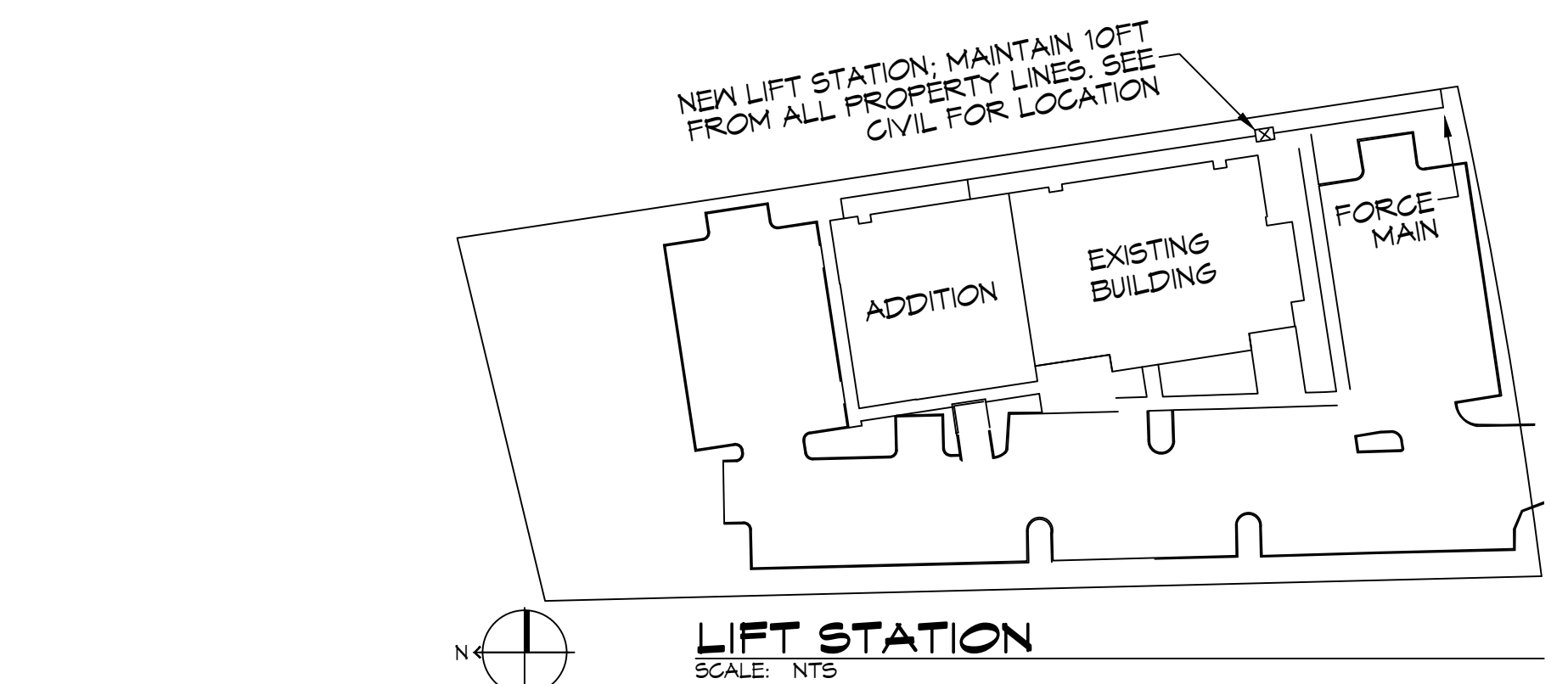
FILE NAME: A:\Projects\2022\244 - Medical - Detail\244 - Medical\244-Plumbing\244-Plumbing.rvt
 PLOT DATE: 6/15/2022 10:53:14 AM
 PLOT BY: J. MISTICH



24 PLUMBING RISER DIAGRAM
SCALE: NTS



TYPICAL DETAILS
SCALE: NTS



LIFT STATION
SCALE: NTS

NOTE:
ALL SANITARY SEWER ARE DIAGRAMMATICALLY DRAWN FOR CLARITY.

PLUMBING ABBREVIATION

HS - HAND SINK WC - WATER CLOSET TCS - TWO COMPARTMENT SINK
 LAV - LAVATORY WF - WATER FOUNTAIN

PLUMBING LEGEND

— S — SANITARY SEWER — V — VENT PIPE ● — ELBOW UP
 40 GALLON HOT WATER HEATER CO — CLEAN OUT FDC — FLOOR DRAIN

LIFT STATION NOTES

1. LIFT STATION SHALL BE INSTALLED A MINIMUM OF 10 FT FROM ALL PROPERTY LINES. THE SYSTEM SHALL BE A 1-1/2HP. THE TANK SHALL BE A MINIMUM OF 24" X 48". (ZOELLER PACKAGE FM3326 OR EQUAL)

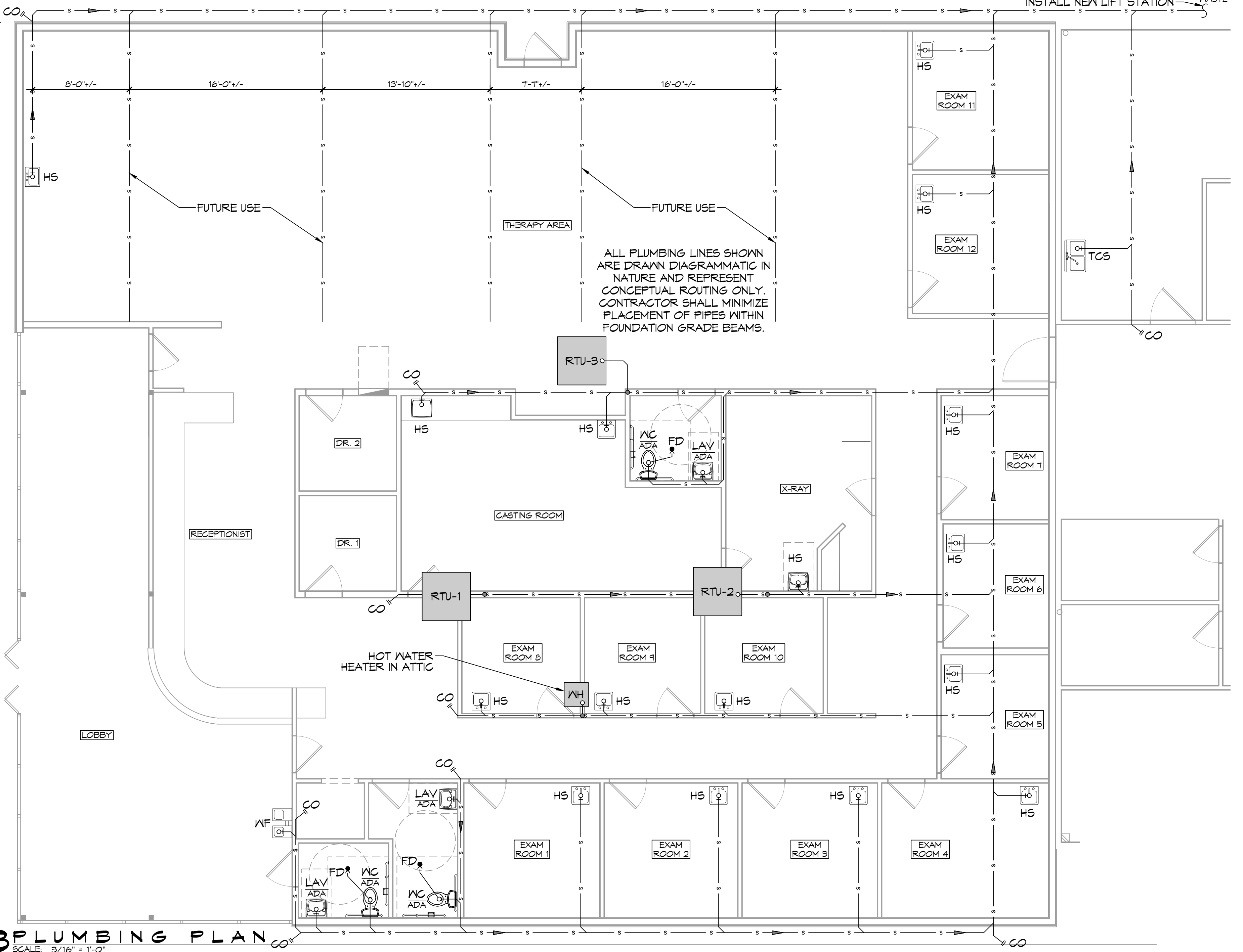
PLUMBING FIXTURE SCHEDULE

MARK	DESCRIPTION	TYPE	ROUGH - IN - SIZE				NOTES
			WASTE	VENT	COLD	HOT	
WC	WATER CLOSET	VALVE	4"	3"	1-1/2"	-	3
LAV	LAVATORY	WALL HUNG	2"	2"	3/4"	3/4"	1,2,3
FD	FLOOR DRAIN	-	3"	2"	-	-	4
DF	DRINKING FOUNTAIN	-	2"	1-1/2"	3/4"	-	1
HS	HAND SINK	-	3"	2"	3/4"	3/4"	1,2,3
WH	WATER HEATER	-	3/4"	2"	3/4"	3/4"	-
AHU	AIR HANDLER DRAIN	-	3/4"	2"	-	-	-

NOTES:
 1. INSULATE PIPING FOR HANDICAP FIXTURE.
 2. PROVIDE CHAIR CARRIER FOR WALL HUNG FIXTURE.
 3. HANDICAP FIXTURE
 4. INSTALL CONTINUOUS DRIP VALVE ON ALL FLOOR DRAINS.

GENERAL PLUMBING NOTES

- PLUMBING LINES SHOWN ARE DRAWN DIAGRAMMATIC IN NATURE AND REPRESENT CONCEPTUAL ROUTING ONLY. CONTRACTOR IS RESPONSIBLE FOR FIELD VERIFICATION OF ALL ACTUAL CONDITIONS.
- PROVIDE ALL LABOR, MATERIAL, TRANSPORTATION, SUPERVISION, CLEAN-UP, SERVICES, AND EQUIPMENT FOR A COMPLETE OPERATING SYSTEM. THE SYSTEM SHALL INCLUDE HOT AND COLD WATER PIPING, SEWER AND VENT PIPING, INSULATION, WATER HEATER, HANGERS, VALVES, SUPPORTS WITHOUT ANY RESTRICTIONS TO VOLUME CUT AND PATCH AS REQUIRED TO INSTALL PIPES.
- ALL WORK AND MATERIAL SHALL CONFORM STRICTLY TO THE LATEST LOCAL CITY, PARISH, STATE AND NATIONAL GOVERNING CODES. MUST MEET LA STATE PLUMBING CODE 2013 REQUIREMENTS.
- CONTRACTOR IS TO FIELD VERIFY ALL EXISTING UTILITY LOCATIONS, ELEVATIONS AND SIZES PRIOR TO COMMENCING ANY WORK. CONTRACTOR SHALL PAY NECESSARY FEES FOR THE UTILITIES CONNECTIONS.
- CONTRACTOR IS RESPONSIBLE TO VERIFY THE EXISTING INVERTS AND SET NEW INVERTS OF SEWERAGE AND DRAINAGE PIPES.
- SEWERAGE LINES 3-INCH AND SMALLER SHALL BE SLOPED 1/4" PER FOOT AND LINES 4-INCH AND LARGER SHALL BE 1/8" PER FOOT.
- TEST ALL PIPING AT REQUIRED PRESSURE.
- ALL PLUMBING SHALL BE CLOSELY COORDINATED WITH STRUCTURAL, MECHANICAL SYSTEM AND ELECTRICAL SYSTEMS TO INSURE NO TRADES WILL CONFLICT WITH EACH OTHER.
- DO NOT SCALE DRAWINGS. SEE ARCHITECTURAL DRAWINGS FOR EXACT LOCATIONS OF DOORS, WINDOWS, WALLS, FIXTURES, ETC.
- ALL WATER MAINS AND PIPING NOT SHOWN FOR CLARITY, ALL LOCATIONS FIELD VERIFIED.
- DOMESTIC HOT AND COLD WATER PIPING AND FITTINGS UNDER SLAB SHALL BE ASTM B88 COPPER WATER TUBE, TYPE K, SOFT ANNEALED. NO JOINTS SHALL BE ALLOWED UNDER THE SLAB.
- DOMESTIC WATER PIPING AND FITTINGS ABOVE THE SLAB SHALL BE ASTM B88 COPPER WATER TUBE, TYPE L, HARD DRAWN WITH COPPER PRESSURE TIGHT FITTINGS, ANSI B16.22. THE JOINTS SHALL BE SOLDERED TYPE USING ASTM B32, ALLOY GRADE #8A (85%) SOLDER.
- SOIL, WASTE, VENT PIPING AND FITTINGS ABOVE THE SLAB SHALL BE SERVICE WEIGHT CAST IRON PIPE WITH BELL AND SPIGOT ENDS AND ONE PIECE NEOPRENE INSERT TYPE GASKET. USE PVC SCHEDULE 40 OR ABS DWV PIPES AND FITTINGS WHERE PERMITTED BY CODE.
- ALL WATER PIPING AND FITTINGS ABOVE THE FLOOR SHALL BE INSULATED WITH 1/2" THICK FIBERGLASS INSULATION AND JACKET.
- ALL ELECTRICAL, MECHANICAL AND PLUMBING ELEMENTS PENETRATING FIRE PARTITIONS SHALL BE FIRE CAULKED. (PENETRATIONS THROUGH RATED CONSTRUCTION SHALL BE SEALED WITH A MATERIAL CAPABLE OF PREVENTING THE PASSAGE OF FLAMES AND HOT GASES WHEN TESTED IN ACCORDANCE WITH ASTM-E814.)
- SEE ROOF PLAN FOR PLUMBING ROOF PENETRATIONS. ROUTE VENT PIPES IN ATTIC AS NECESSARY.
- ALL VENTS THROUGH ROOF (VTR) SHALL BE LOCATED A MINIMUM OF 10'-0" FROM ANY MECHANICAL OR NATURAL AIR INTAKE.



23 PLUMBING PLAN
SCALE: 3/16" = 1'-0"

DAMMON ENGINEERING, INC.
 LOUISIANA & MISSISSIPPI
 www.dammonengineering.com
 info@dammonengineering.com
 PH: 985.649.5832
 Chief Engineer: Brian Mistich, PE
 554 Old Spanish Trail
 Slidell, LA 70458

#	DESCRIPTION	DATE
1	Added Exam Rooms 12 & 13	4/8/2022
2	Revised Exam Rm 1 X-Ray Layout	7/1/2022

SEAL:

HONTASMOB
 NEW ADDITION
 1121 LA HWY 21, TORCH
 COVINGTON, LA 70438
 JOB No: 2443 DATE: 6-15-2022
 DRAWN BY: TMT CHECKED BY: DFD

SHEET TITLE:
PLUMBING PLAN AND RISER DIAGRAM
 DRAWING NUMBER:
P101
 SHEET No: 16 of 19