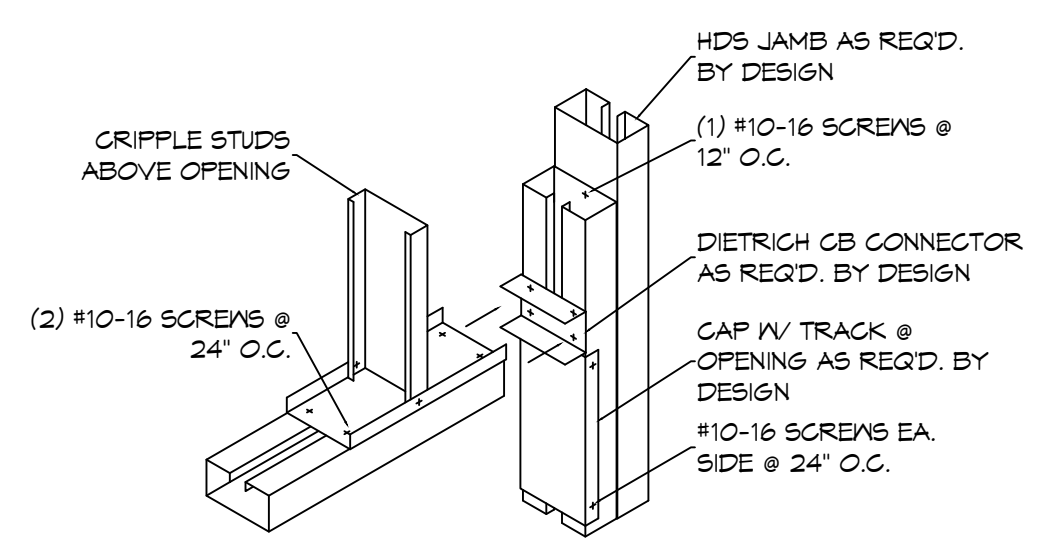
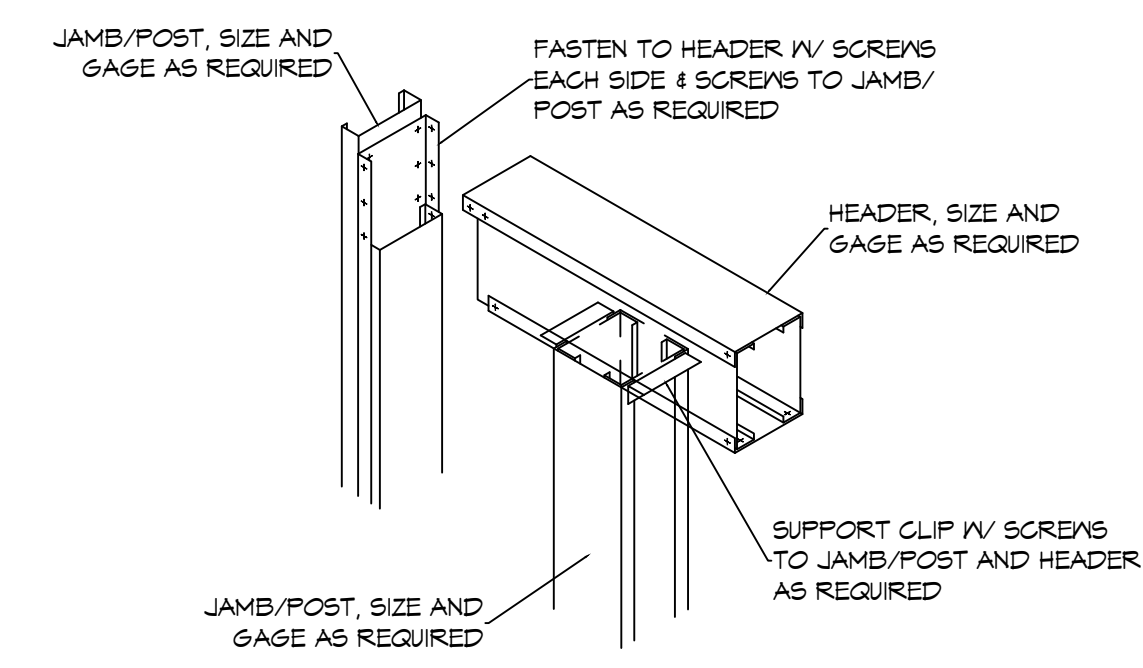


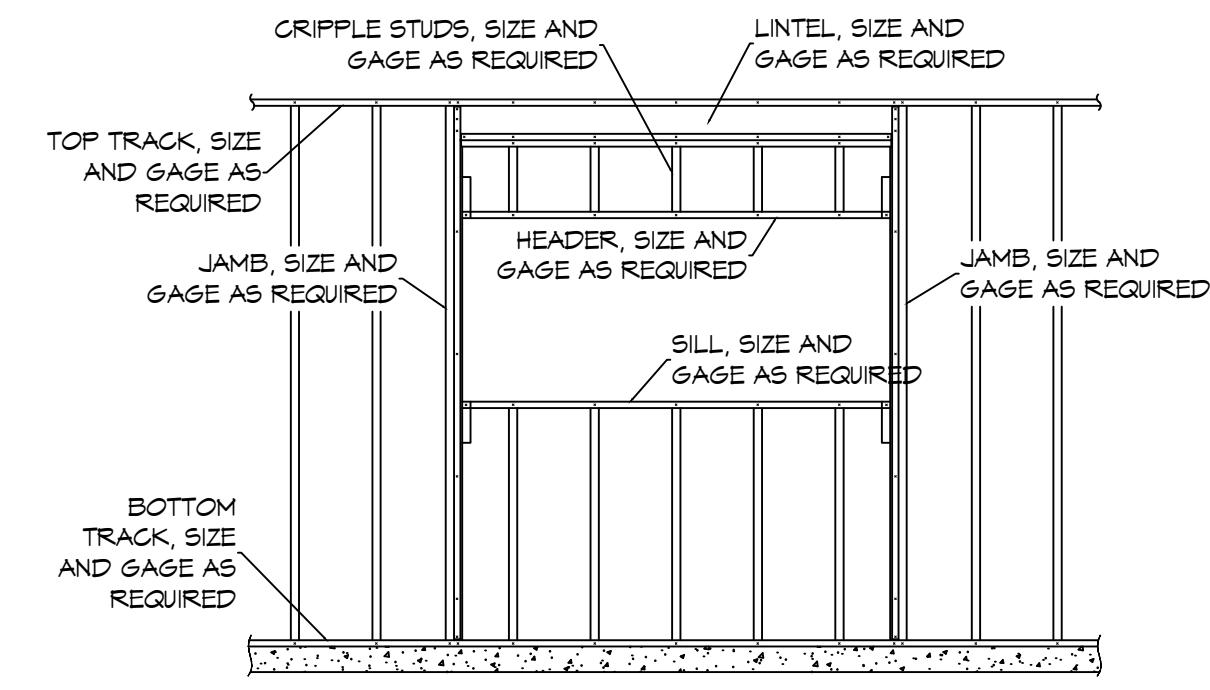
FILE NAME: J:\Projects\2022\22-0001 - Hontas MOB Addition\22-0001 - Hontas MOB Addition\22-0001 - Hontas MOB Addition.dwg, PLOT DATE: 6/15/2022 11:58:11 AM



1 MULTIPLE JAMB STUDS
SCALE: N.T.S.

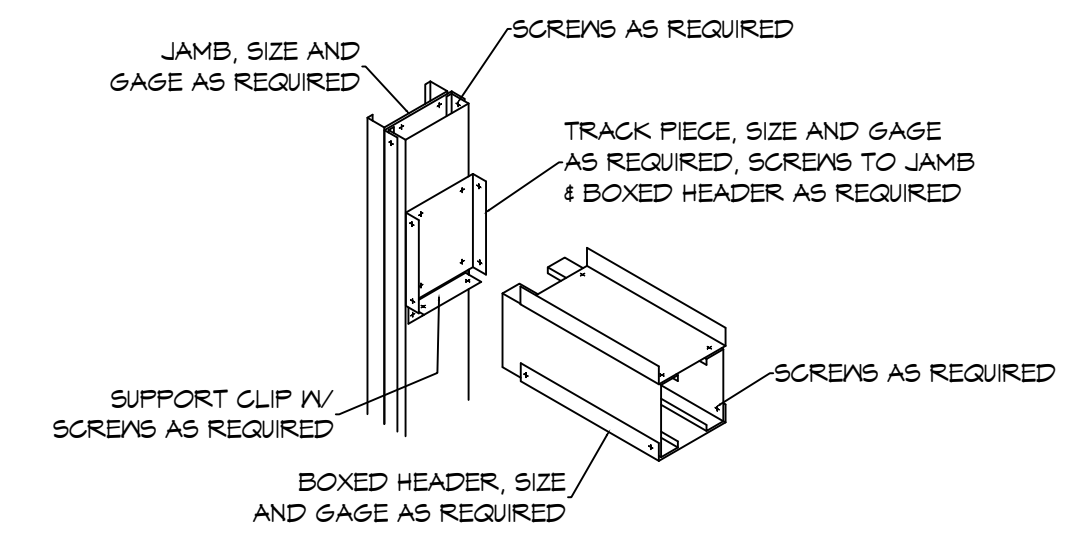


2 HEADER DETAIL
SCALE: N.T.S.

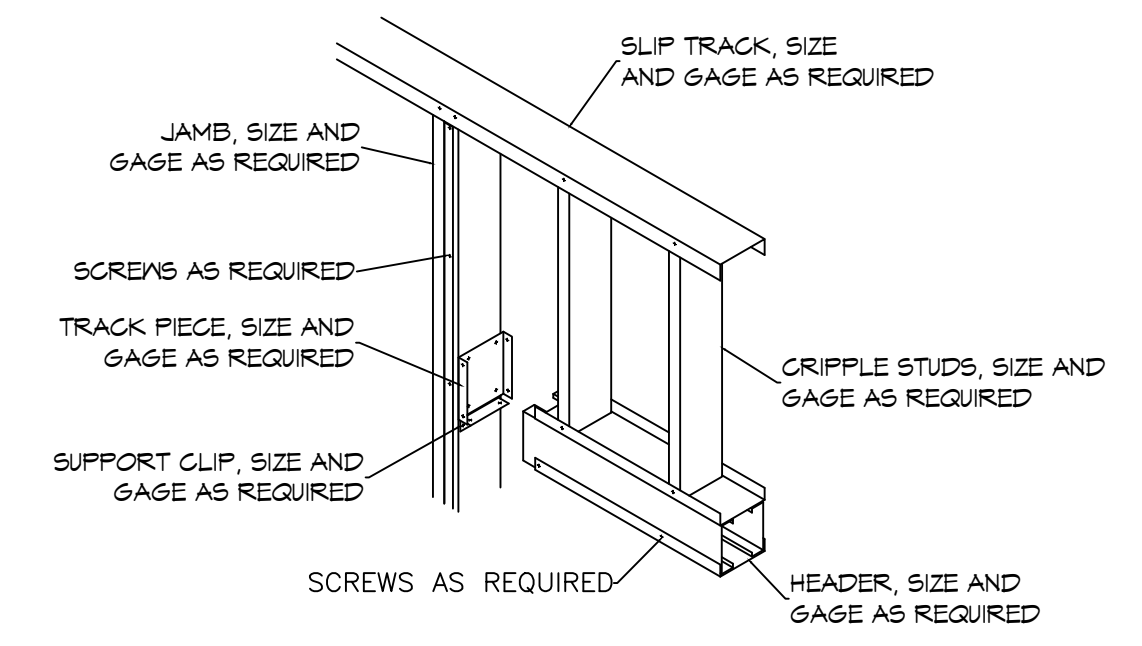


3 LOAD-BEARING WINDOW OPENING
SCALE: N.T.S.

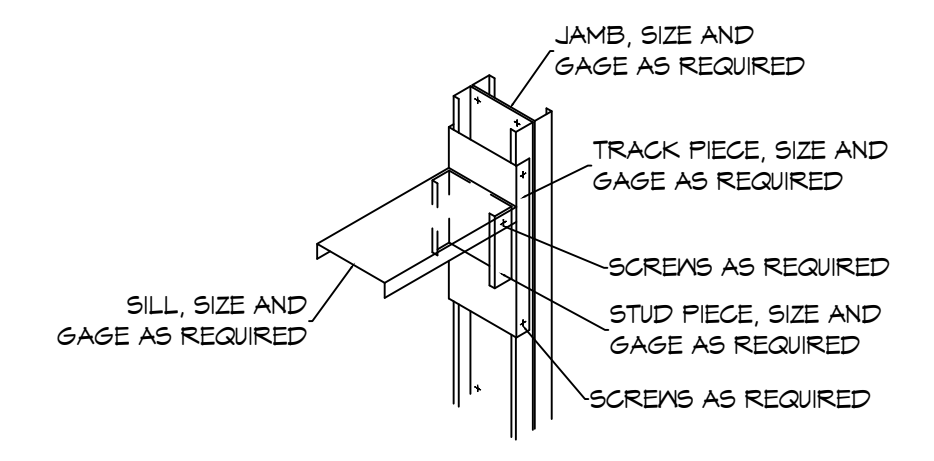
LINTEL, BOXED HEADER SCHEDULE	
WIDTH OF OPENING	BOXED HEADER DESIGNATION
4 FEET OR LESS	400S200-91 [50] (2) BOXED
4 FEET TO 6 FEET	600S250-91 [50] (2) BOXED
6 FEET TO 8 FEET	800S250-91 [50] (2) BOXED



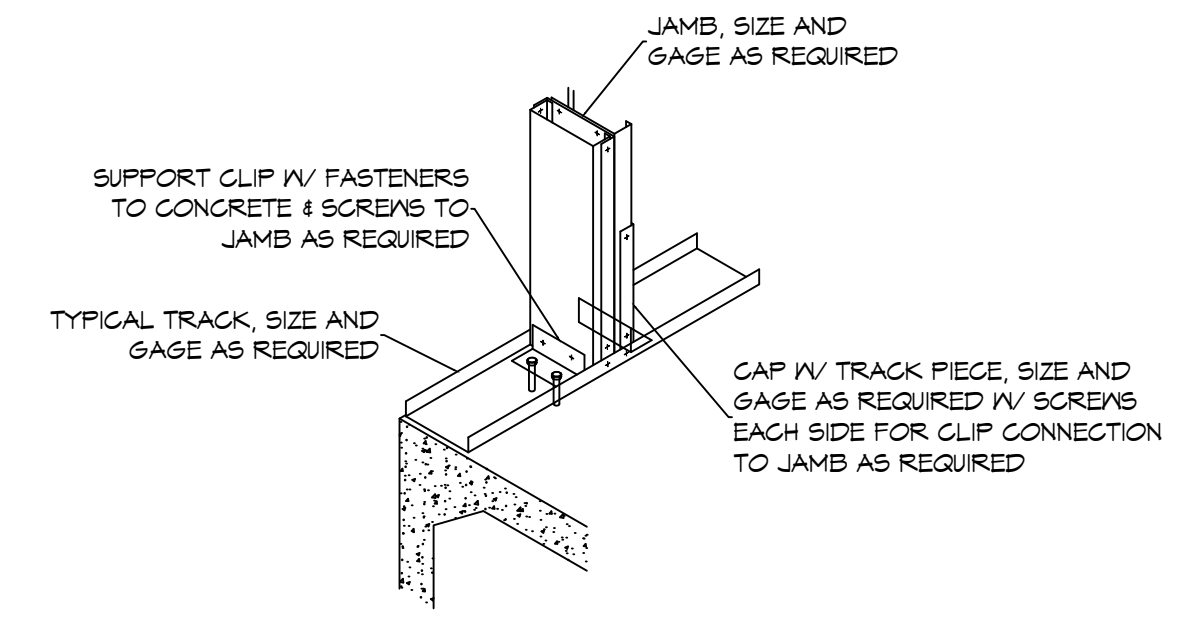
4 BOXED HEADER DETAIL
SCALE: N.T.S.



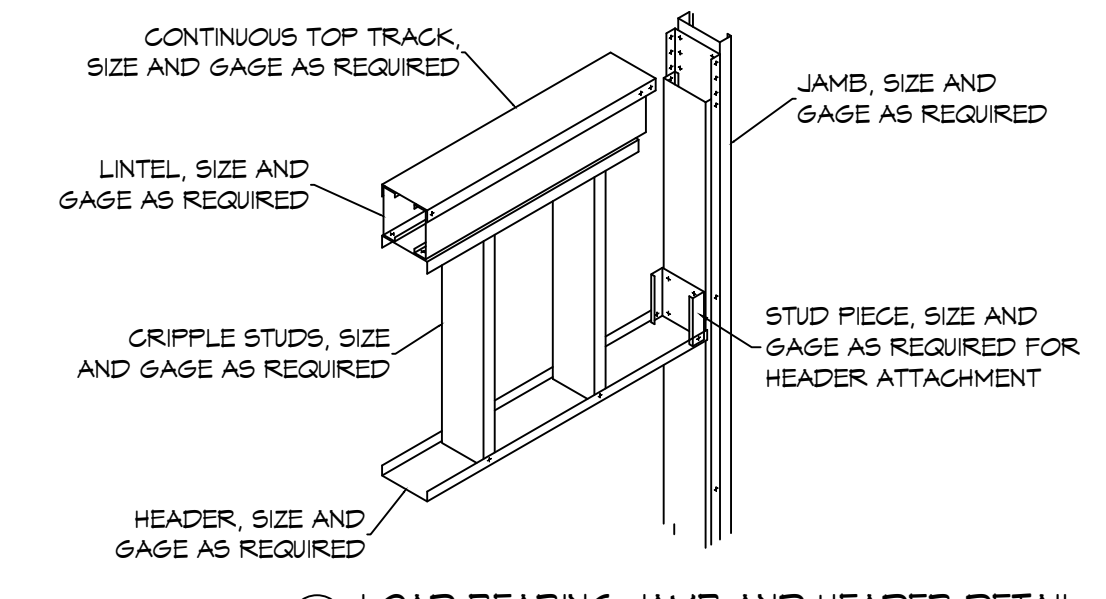
5 LOAD BEARING HEADER JAMB DETAIL
SCALE: N.T.S.



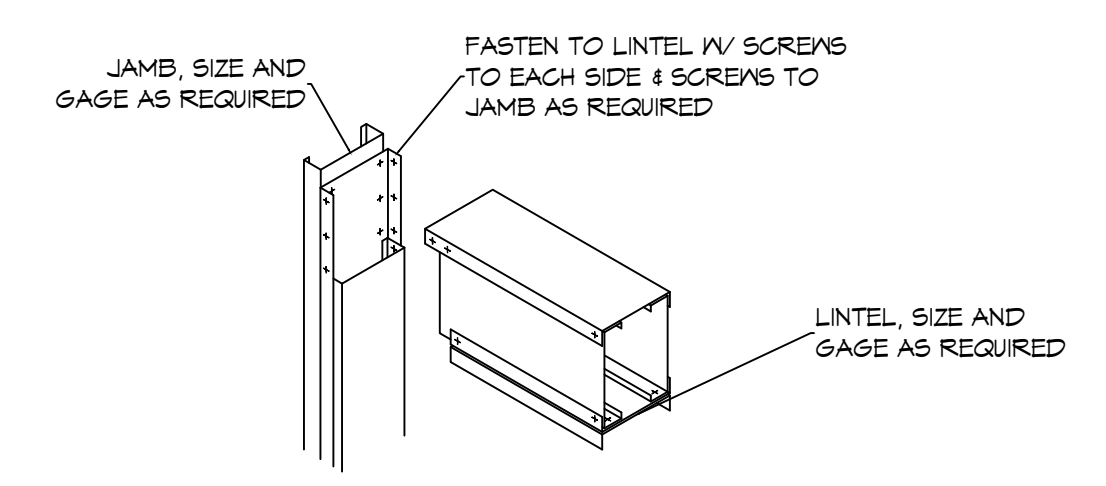
6 SILL DETAIL
SCALE: N.T.S.



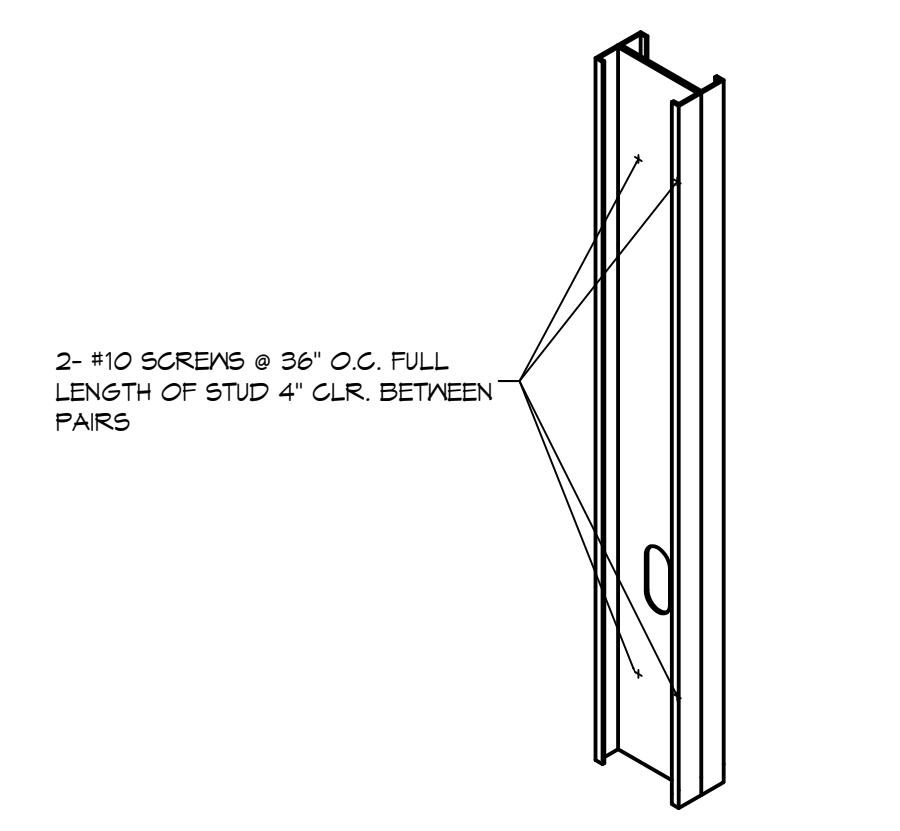
7 BASE CONNECTION
SCALE: N.T.S.



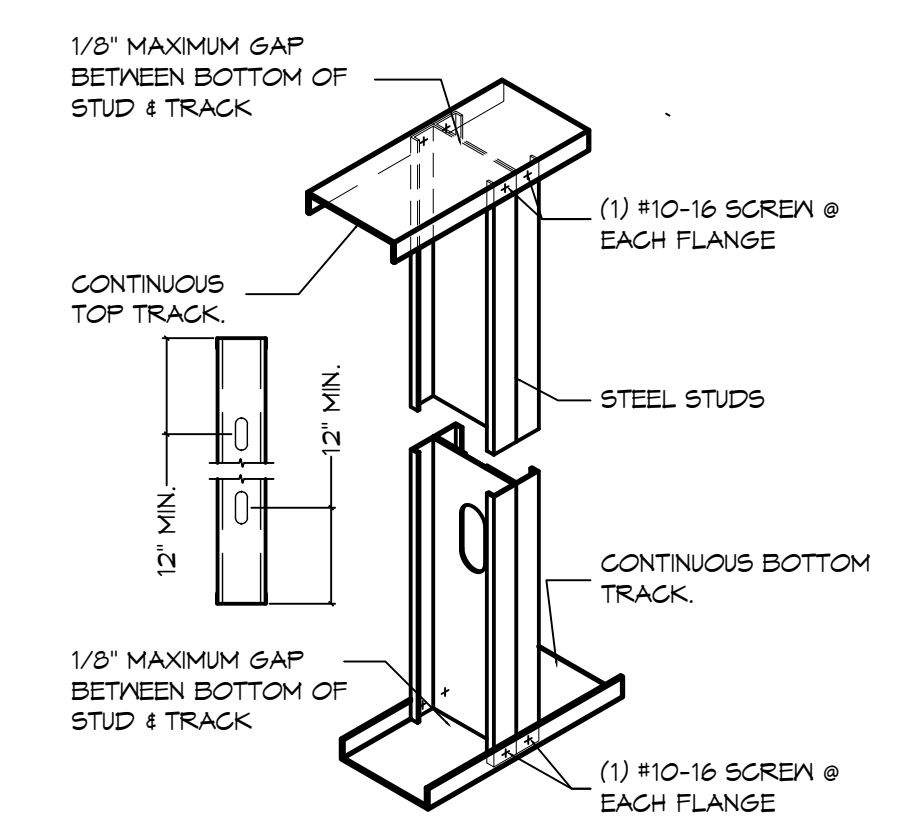
8 LOAD BEARING JAMB AND HEADER DETAIL
SCALE: N.T.S.



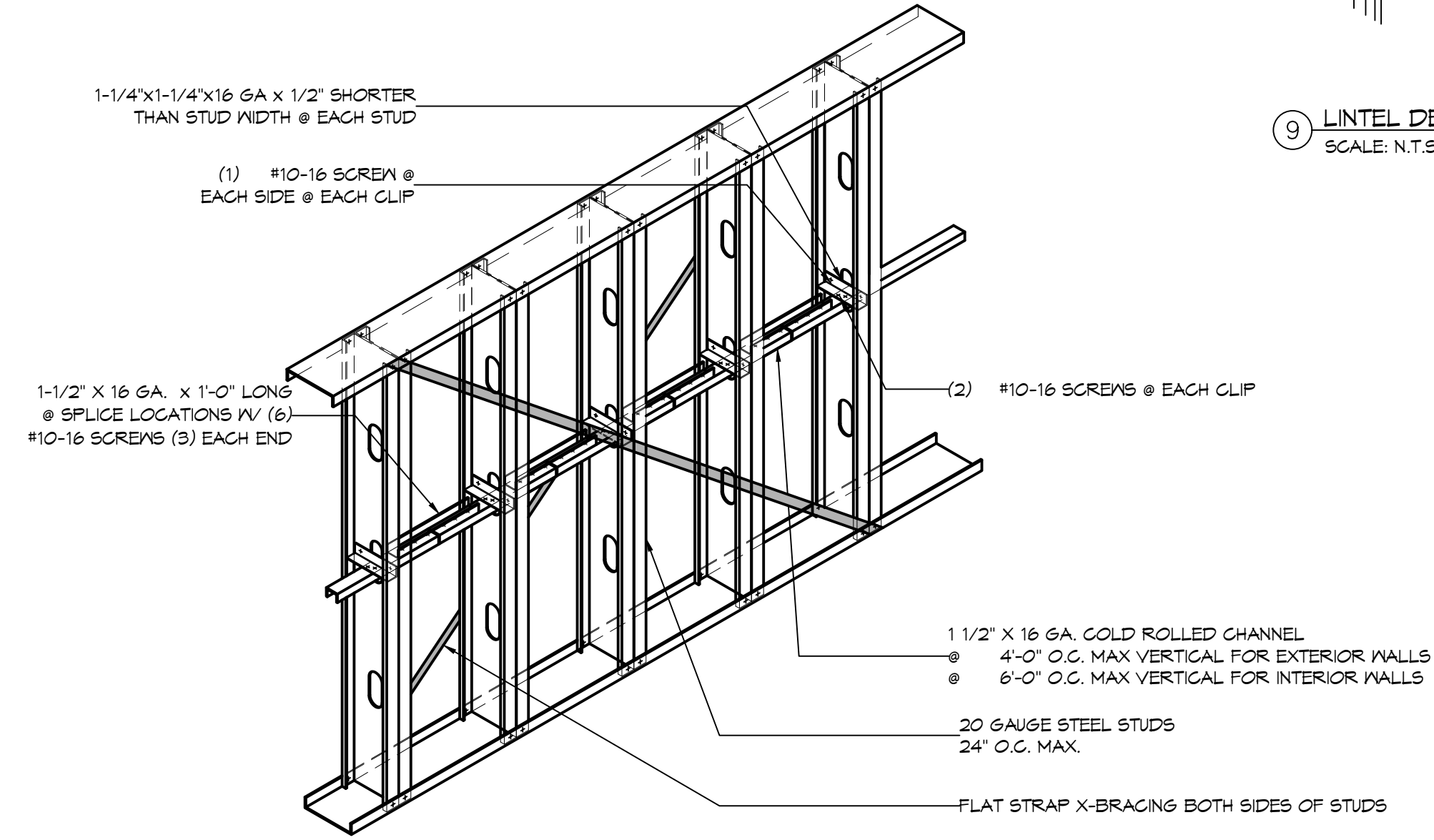
9 LINTEL DETAIL
SCALE: N.T.S.



10 BUILT-UP STUD DETAIL
SCALE: N.T.S.



11 TRACK CONNECTION DETAIL
SCALE: N.T.S.



12 HORZ. BRACING DETAIL
SCALE: N.T.S.

NO.	DESCRIPTION	DATE



NEW ADDITION
HONTAS MOB
JOB No: 2443 DATE: 6-15-2022
DRAWN BY: DPD CHECKED BY: CKD
11211 LA HWY 21, SUITE 200
COVINGTON, LA 70438