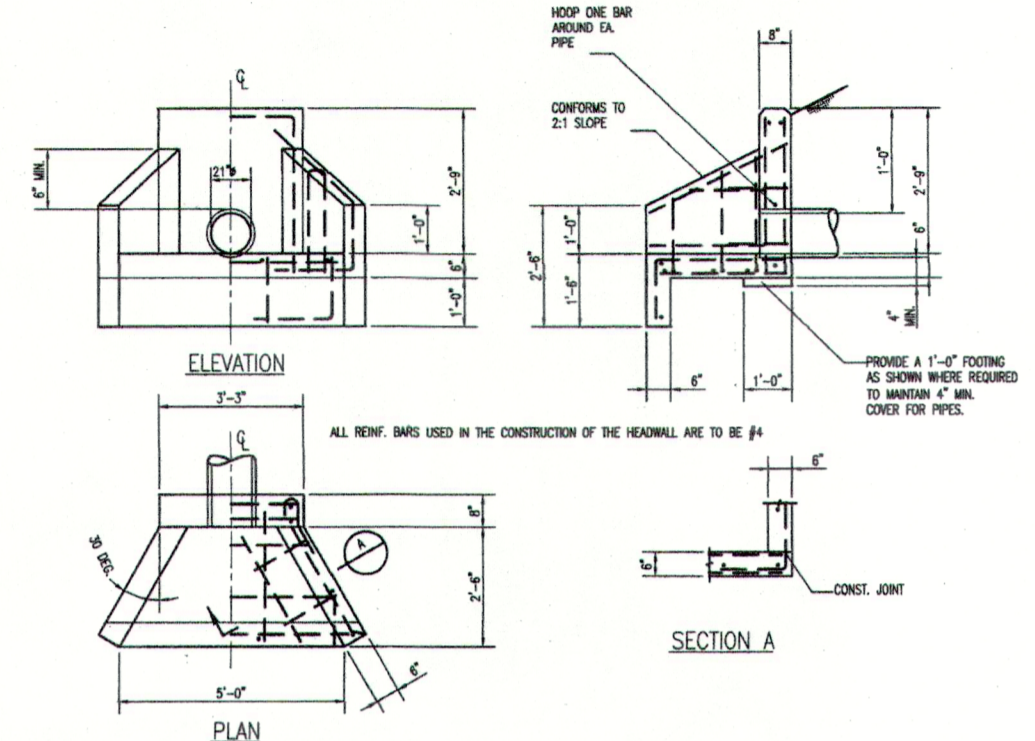
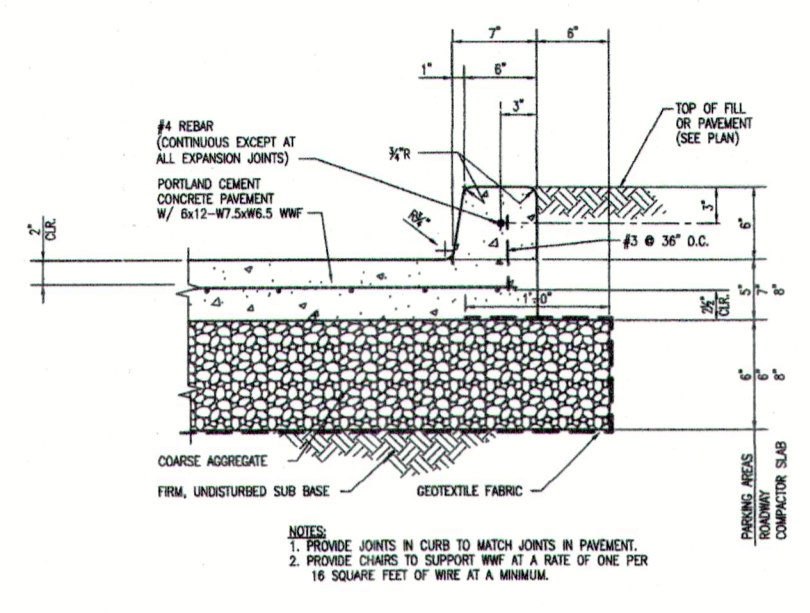


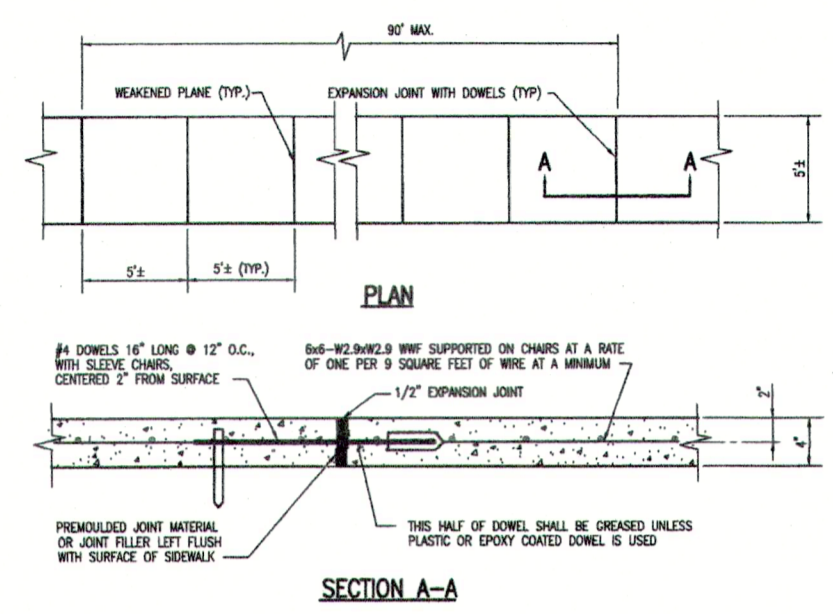
1 DRAINAGE PIPE TRENCH AND BEDDING DETAIL
 C2.01 1/2"=1'-0"



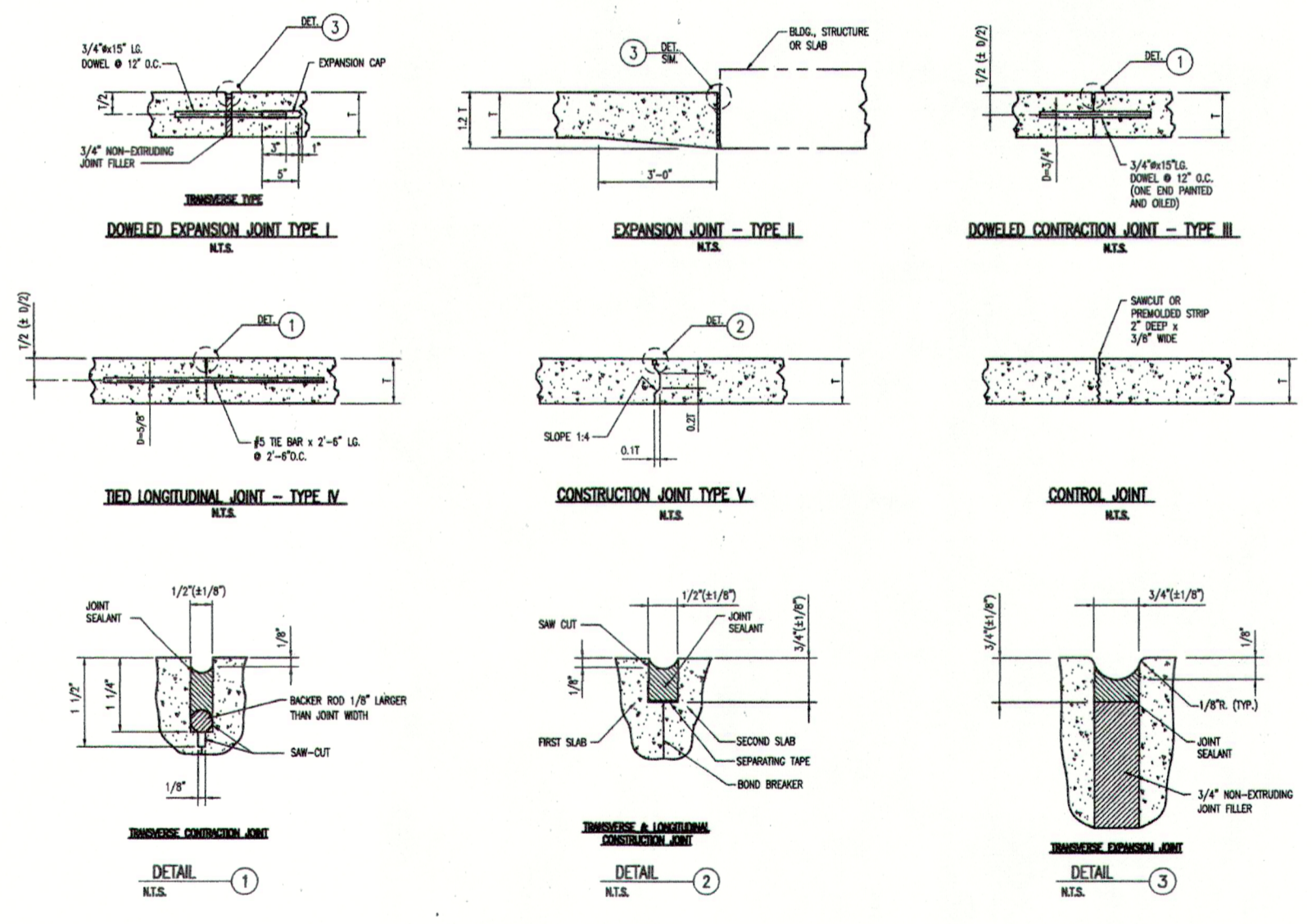
2 HEADWALL DETAILS
 C2.01 1/2"=1'-0"



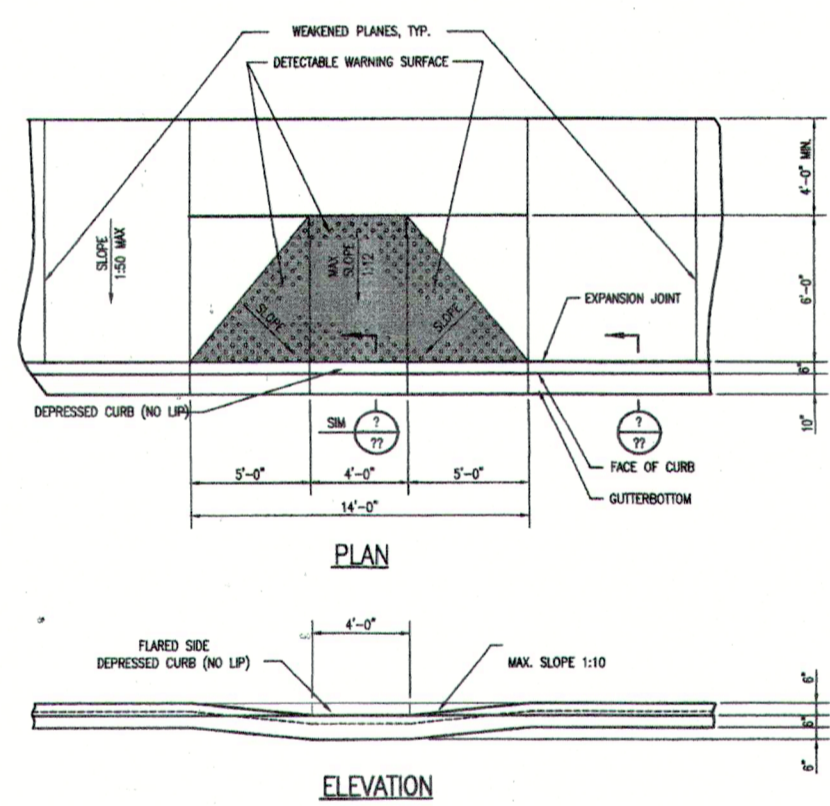
3 PARKING LOT PAVEMENT AND CURB SECTION
 C2.01 1 1/2"=1'-0"



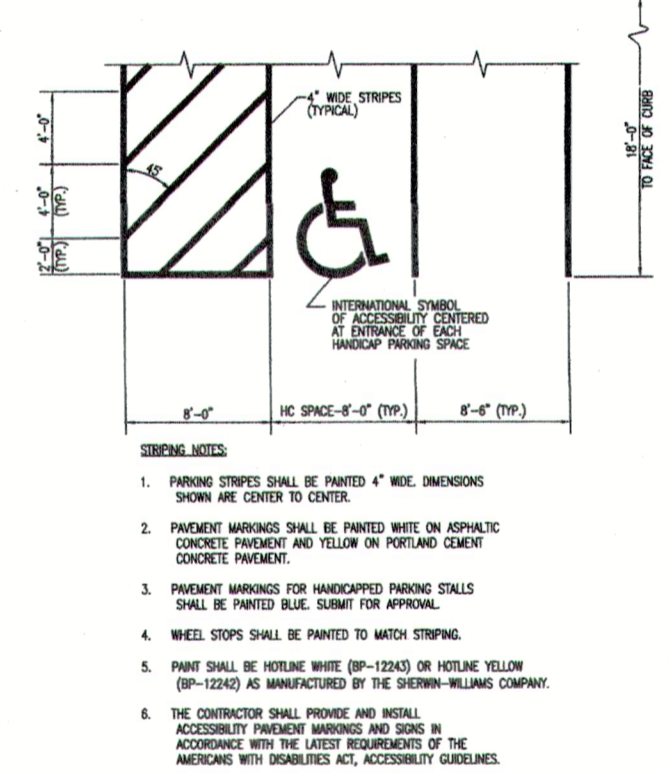
4 PORTLAND CEMENT CONCRETE SIDEWALK PAVEMENT
 C2.01 N.T.S.



5 PAVEMENT JOINT DETAILS
 C2.01 N.T.S.



6 HANDICAP RAMP DETAIL
 C2.01 1/4"=1'-0"



7 STRIPING DETAIL
 C2.01 3/16"=1'-0"

PROGRESS SET

RECEIVED
 DEC 18 2002
 GARCIA BRENNER STROMBERG

BID SET

PROGRESS NOT FOR CONSTRUCTION

NO.	REVISIONS
1	
2	
3	
4	
5	
6	
7	
8	
9	
10	
11	
12	

A. BRIDGE COB
SATNOH, LLC
 130 W. RUELLE
 MANDEVILLE, LA 70471

STATE REG. AA - 0004655

GARCIA BRENNER STROMBERG
 ARCHITECTS
 1001 St. Charles Avenue
 Suite 118
 Metairie, LA 70001
 Phone: 504.885.1111
 Fax: 504.885.1111
 www.gbs.com

SCALE

DETAILS
TULANE / HONTAS
MEDICAL CENTER

PROJECT # 21409

SHEET #
C-2.01

DATE

MORPHY
 MAKOFSKY
 INCORPORATED
 (504) 885-1317
 JOB NO. 02104

DEC 23 2002