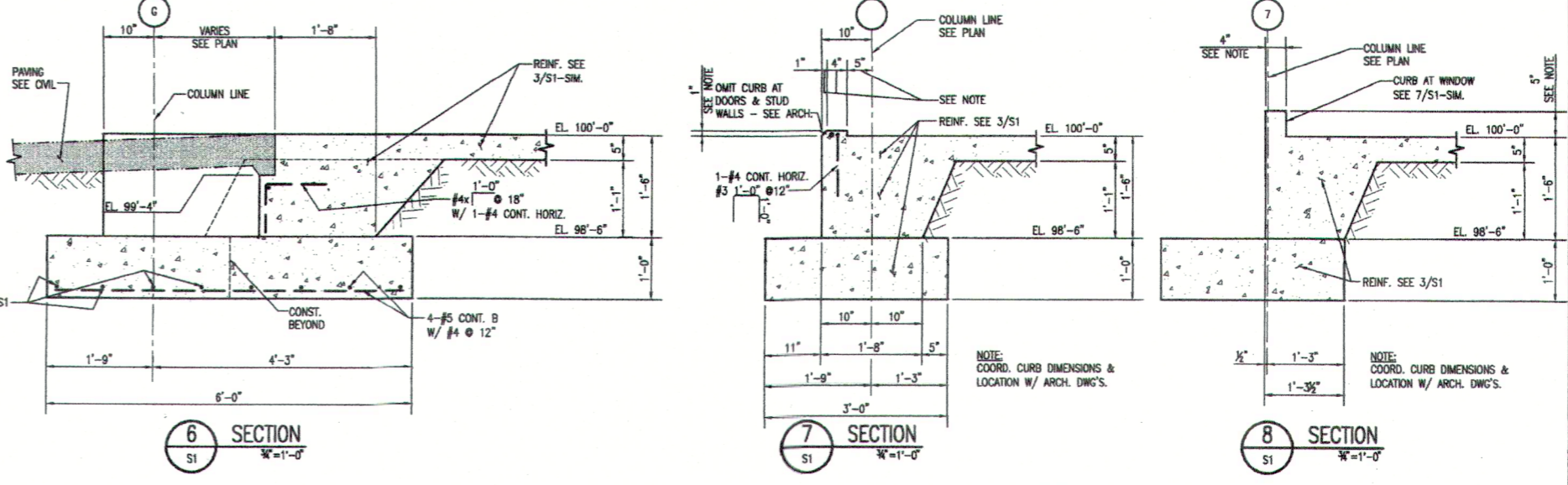
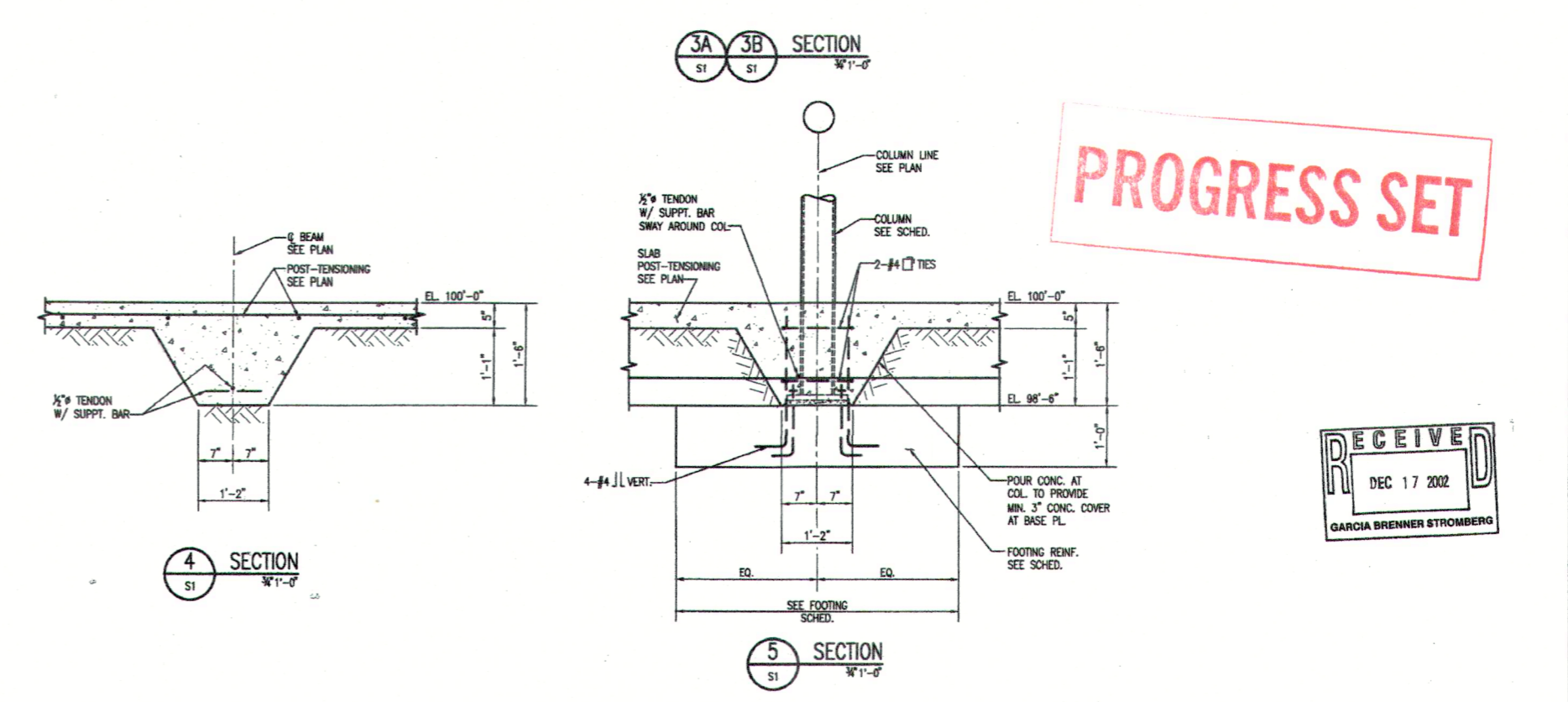
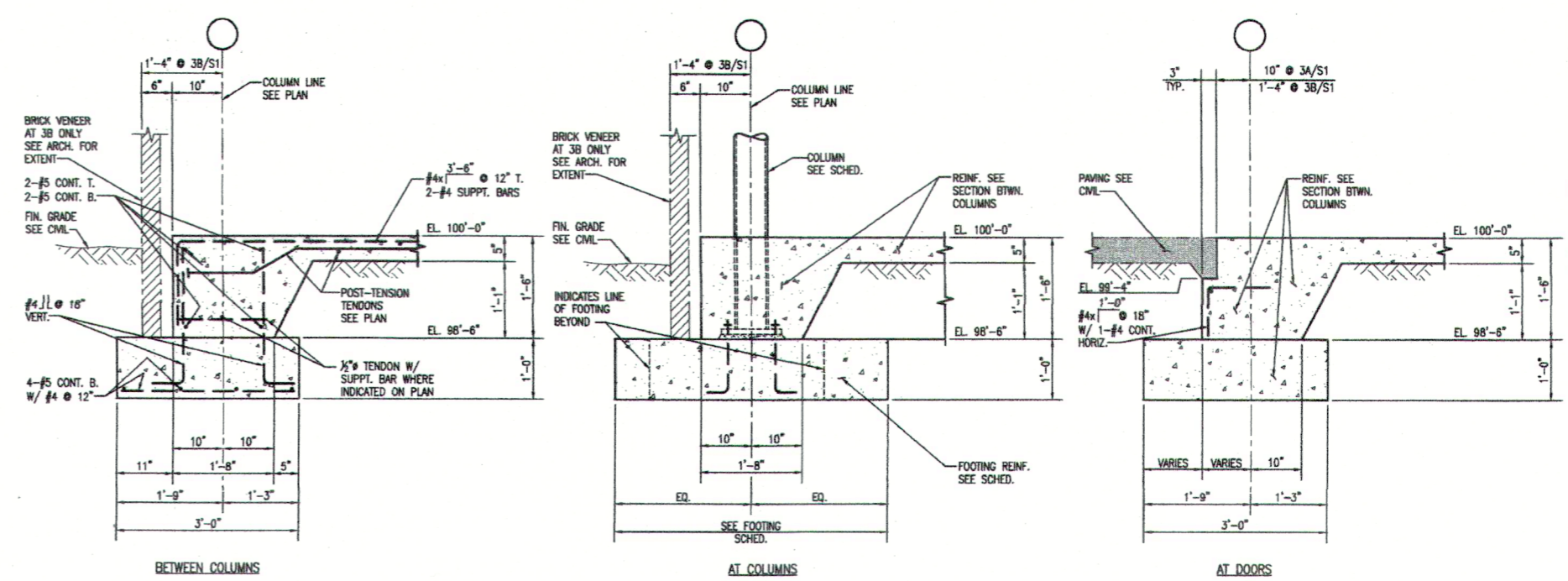
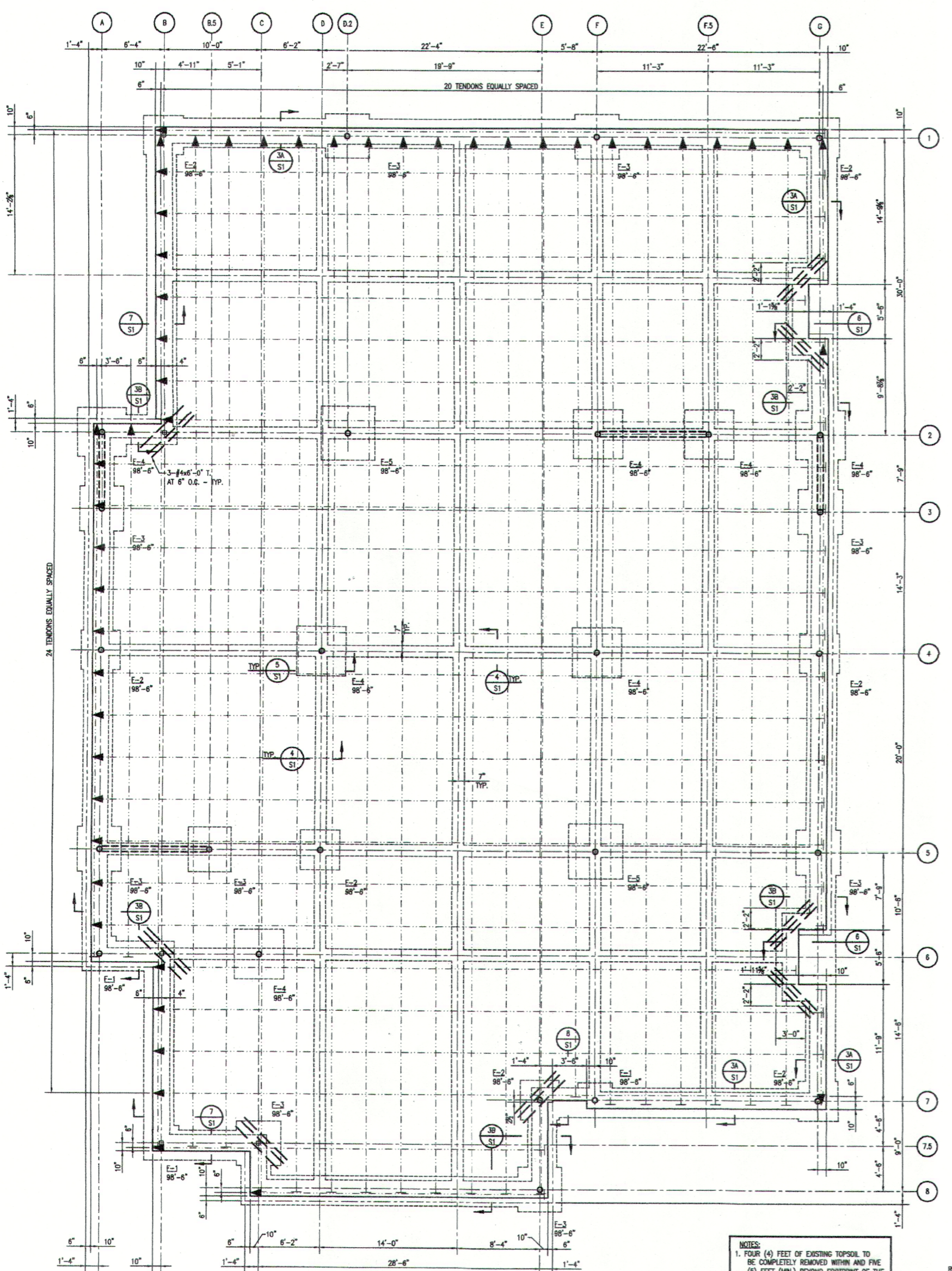


2 SPREAD FOOTING SCHEDULE
N.T.S.

MARK	SIZE L X W X THICKNESS	REINFORCEMENT				REMARKS
		BOTTOM		TOP		
		SHORT BAR	LONG BAR	SHORT BAR	LONG BAR	
F-1	3'-6" x 3'-6" x 1'-0"	4-#5	4-#5			
F-2	4'-0" x 4'-0" x 1'-0"	5-#5	5-#5			
F-3	4'-6" x 4'-6" x 1'-0"	5-#5	5-#5			
F-4	5'-0" x 5'-0" x 1'-0"	6-#5	6-#5			
F-5	5'-6" x 5'-6" x 1'-0"	6-#5	6-#5			

NOTES:
1. SEE COLUMN SCHEDULE FOR TYPICAL BASE PLATE DETAILS.
2. PROVIDE 3" CLEARANCE TO ALL REINF. EA. DIRECTION.
3. STRIP FOOTINGS NEED NOT BE POURED MONOLITHICALLY WITH SPOT FOOTINGS. PROVIDE #4x1'-0" DOWELS (QUANTITY AS REQ'D.) TO LAP W/ CONTINUOUS STRIP FOOTING BOT. REINF. WHERE FOOTINGS ARE NOT POURED MONOLITHICALLY.



PLAN NOTES: UNLESS NOTED OTHERWISE:

1. TOP OF SLAB EL. 100'-0"
2. 5" CONCRETE POST-TENSIONED SLAB THROUGHOUT.
3. INDICATES SPREAD FOOTING TYPE F-4 WITH TOP OF FOOTING AT EL. 98'-6". SEE FOOTING SCHEDULE FOR REINF.
4. INDICATES PIPE STRUT WIND BRACING SEE 6/S2.
5. INDICATES POST-TENSION SLAB TENDONS TO BE PLACED AT MID-DEPTH OF SLAB.

NOTES:

1. FOUR (4) FEET OF EXISTING TOPSOIL TO BE COMPLETELY REMOVED WITHIN AND FIVE (5) FEET (MIN.) BEYOND FOOTPRINT OF THE NEW BUILDING CONSTRUCTION. REPLACE VOID WITH AND ADD SELECT STRUCTURAL FILL AS REQUIRED TO BRING BUILDING UP TO PROPER ELEVATION. SEE SPECIFICATIONS FOR FILL.
2. THIS REQUIREMENT IS TENTATIVE UNTIL SUCH TIME THAT ADDITIONAL SOIL BORINGS WITHIN THE FOOTPRINT OF THE BUILDING CAN BE TAKEN AND ANALYZED, AND FINAL RECOMMENDATIONS BY THE SOILS ENGINEER REGARDING UNDERCUTTING CAN BE MADE.

PROGRESS SET

RECEIVED
DEC 17 2002
GARCIA BRENNER STROMBERG

BID SET

1 FOUNDATION AND FIRST FLOOR FRAMING PLAN
S1

