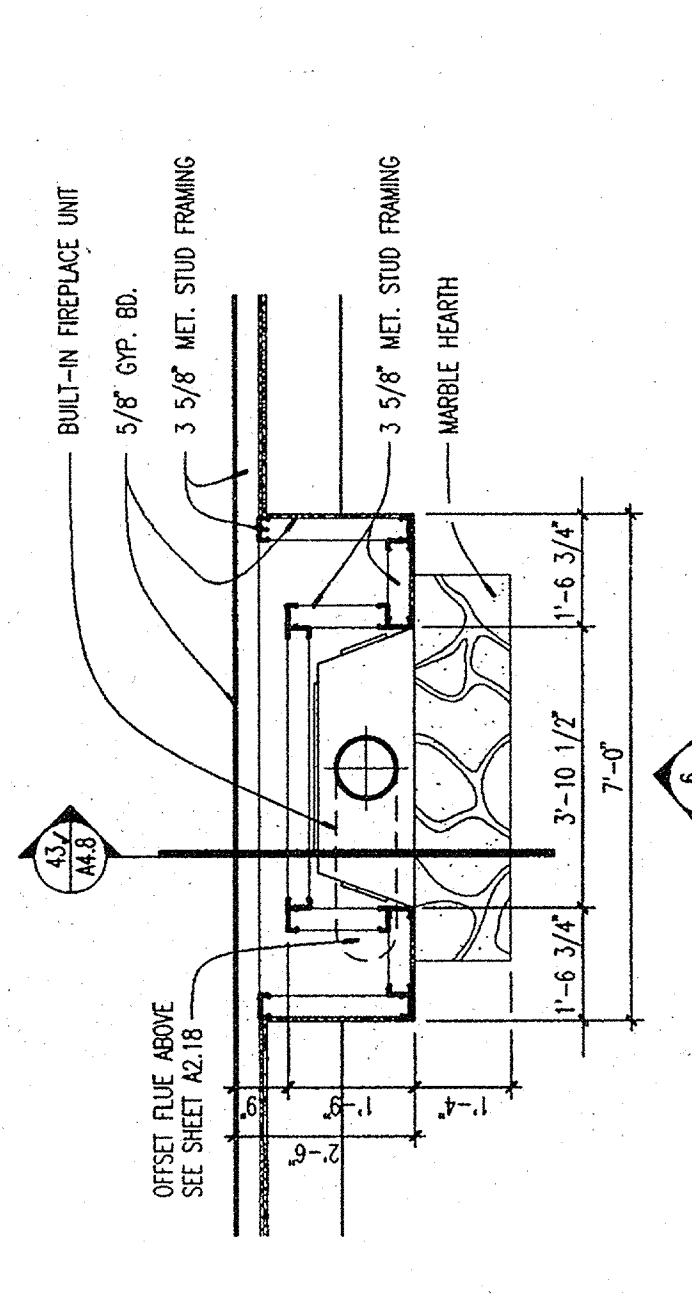
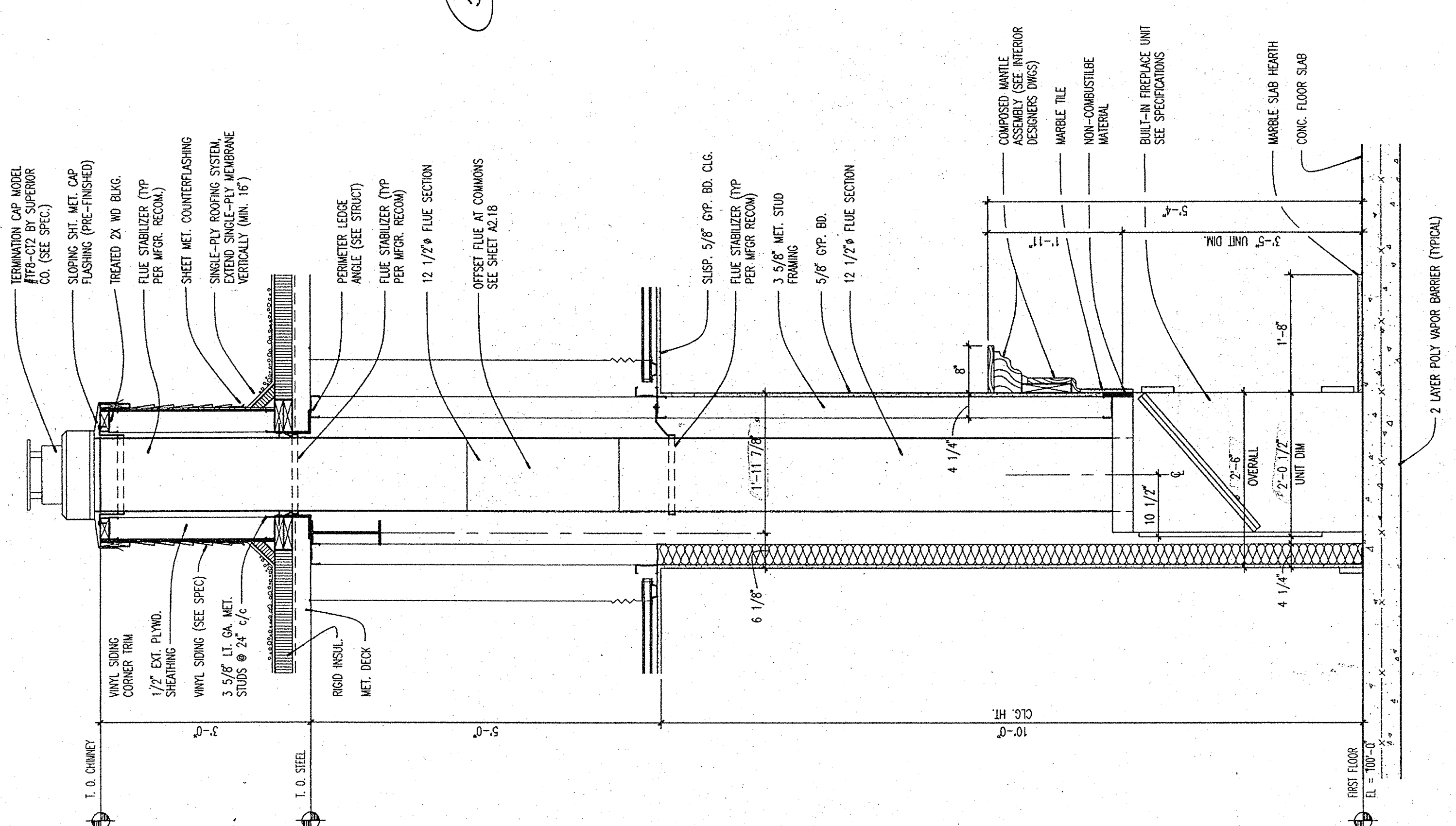


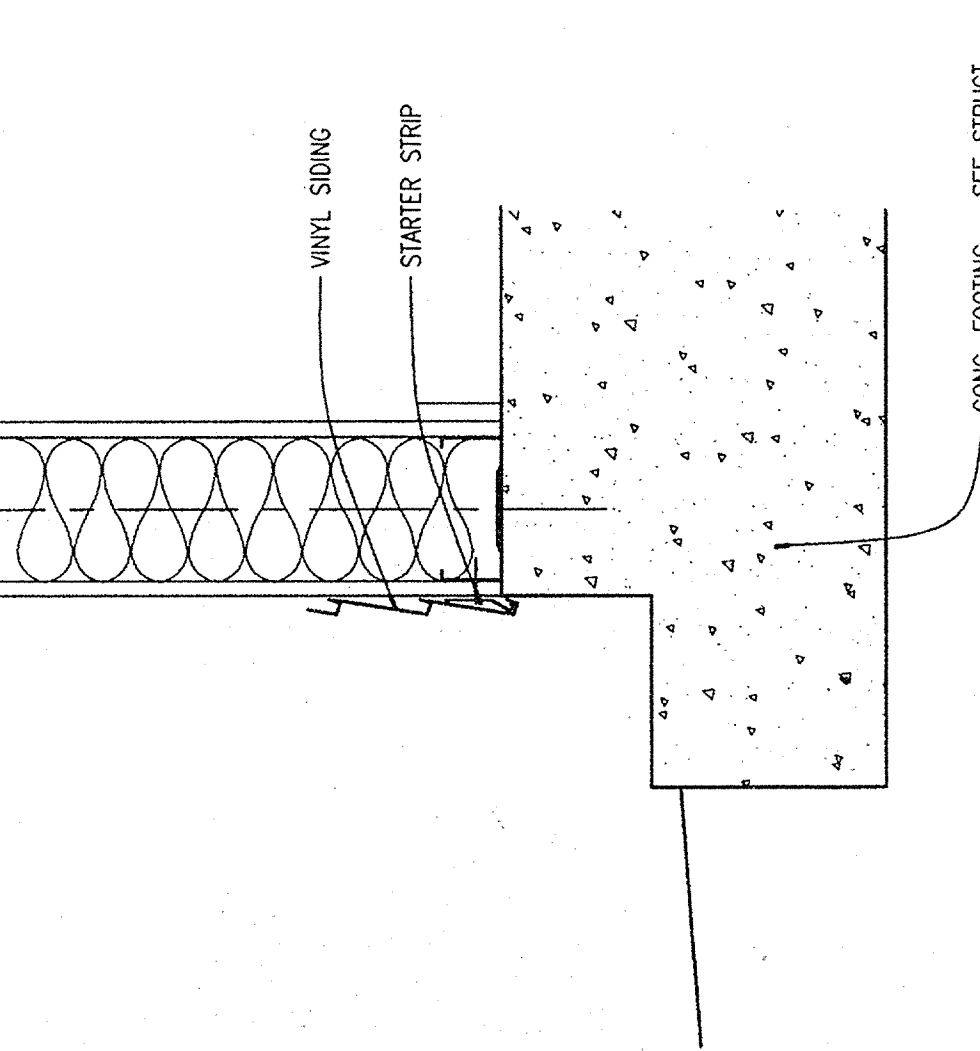
41 FIREPLACE PLAN  
3/8" = 1'-0"



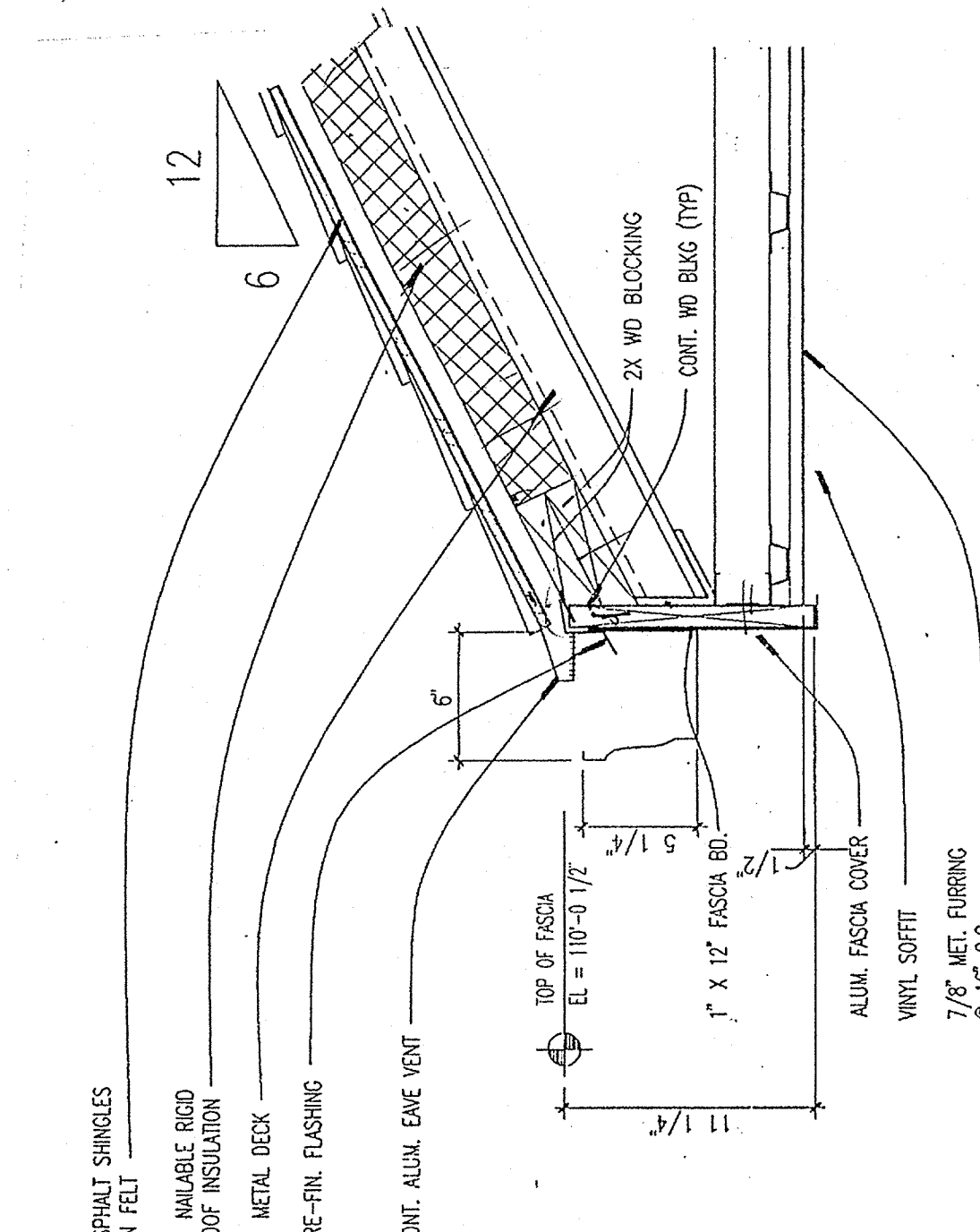
42 FIREPLACE PLAN  
3/8" = 1'-0"



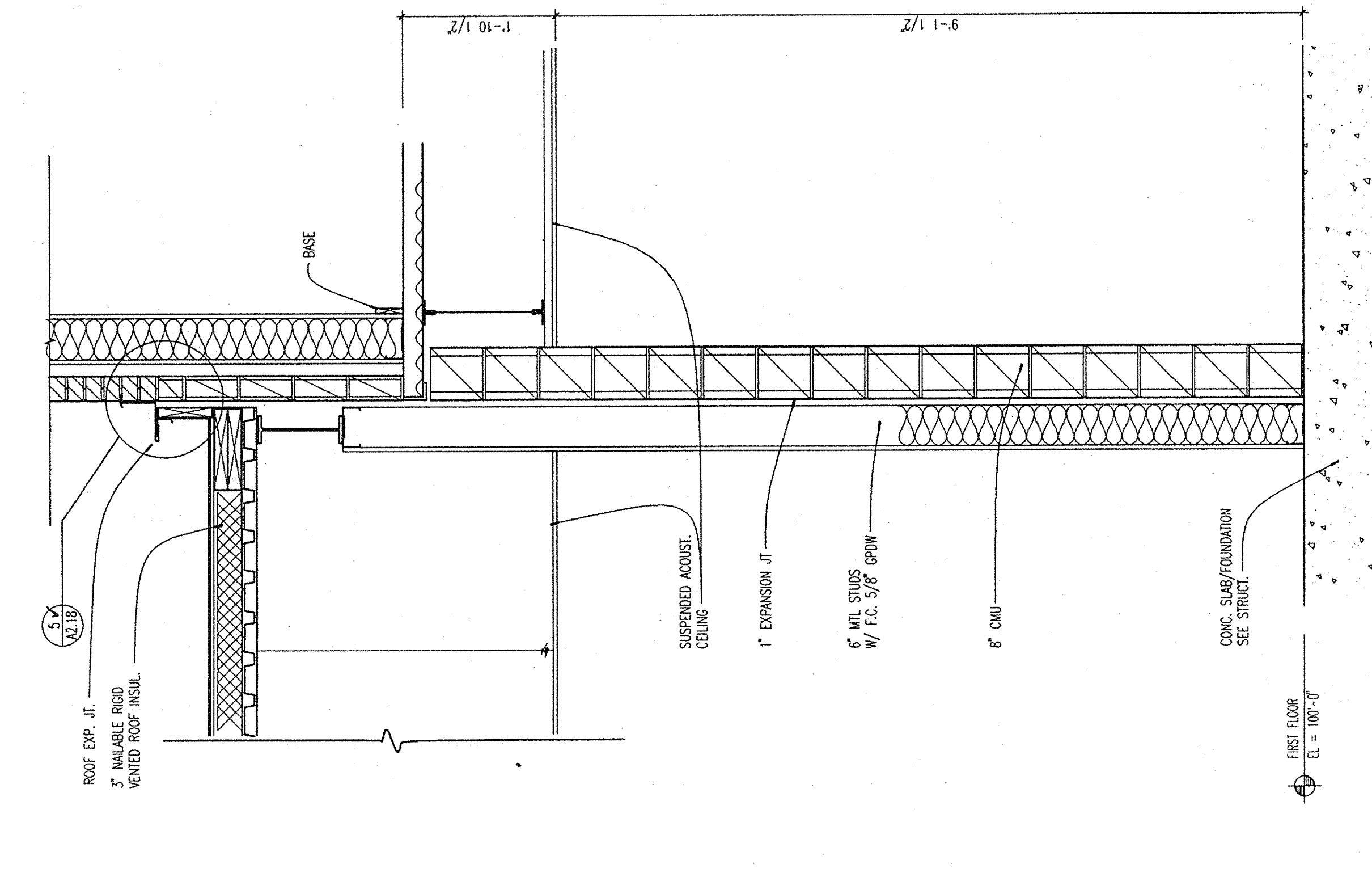
43 FIREPLACE SECTION  
3/4" = 1'-0"



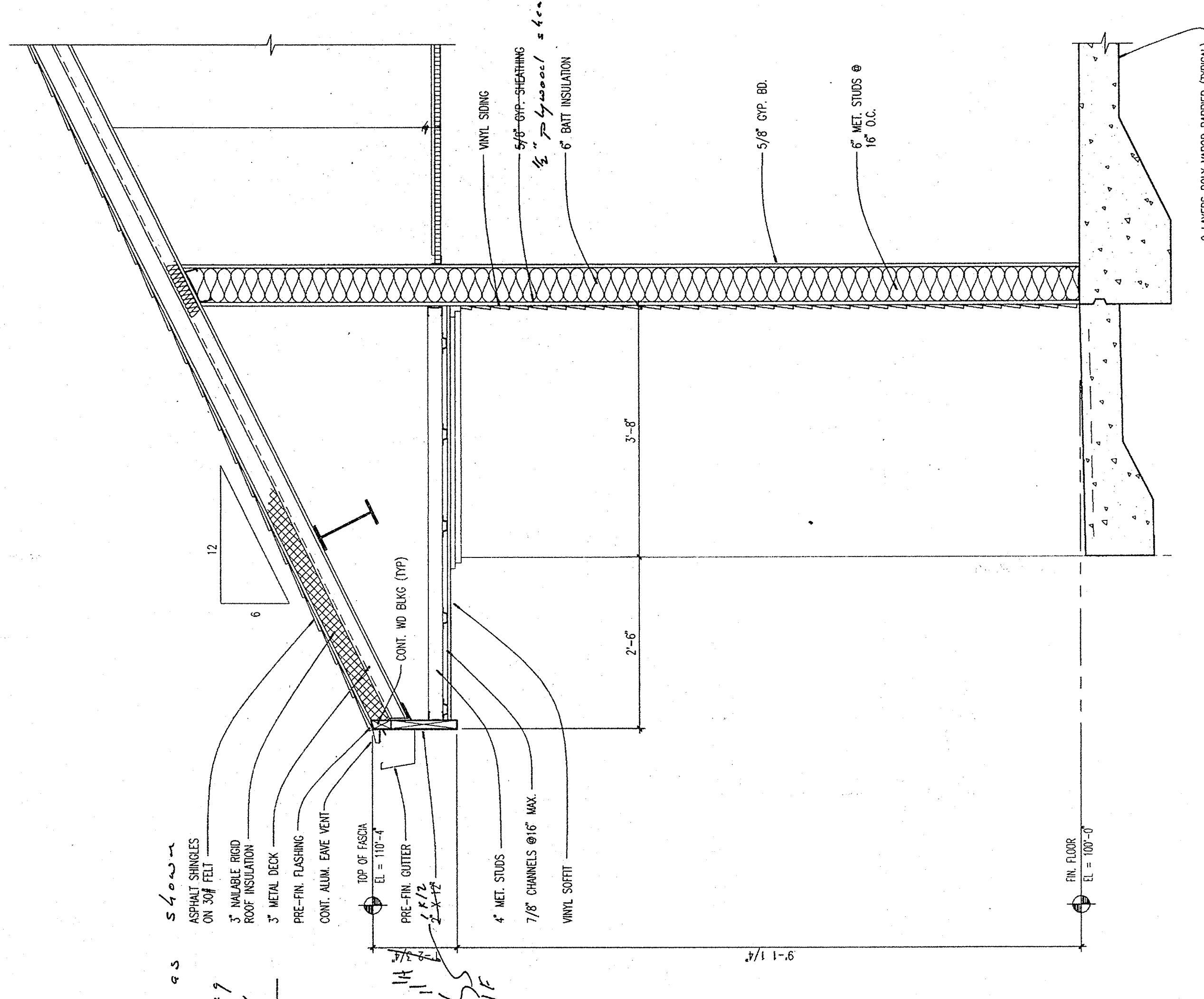
49 SIDING DETAIL  
1 1/2" = 1'-0"



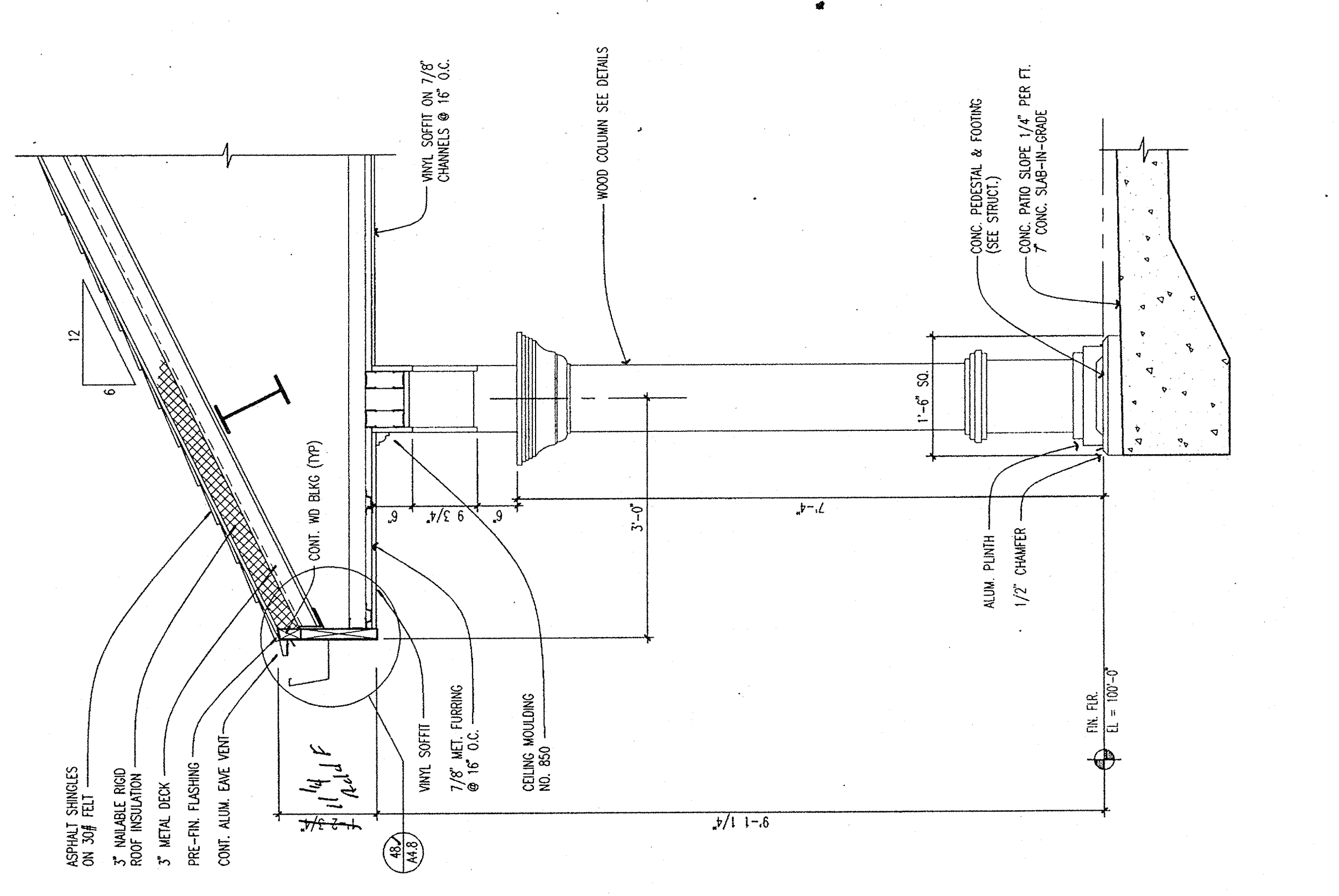
48 EAVE DETAIL  
1 1/2" = 1'-0"



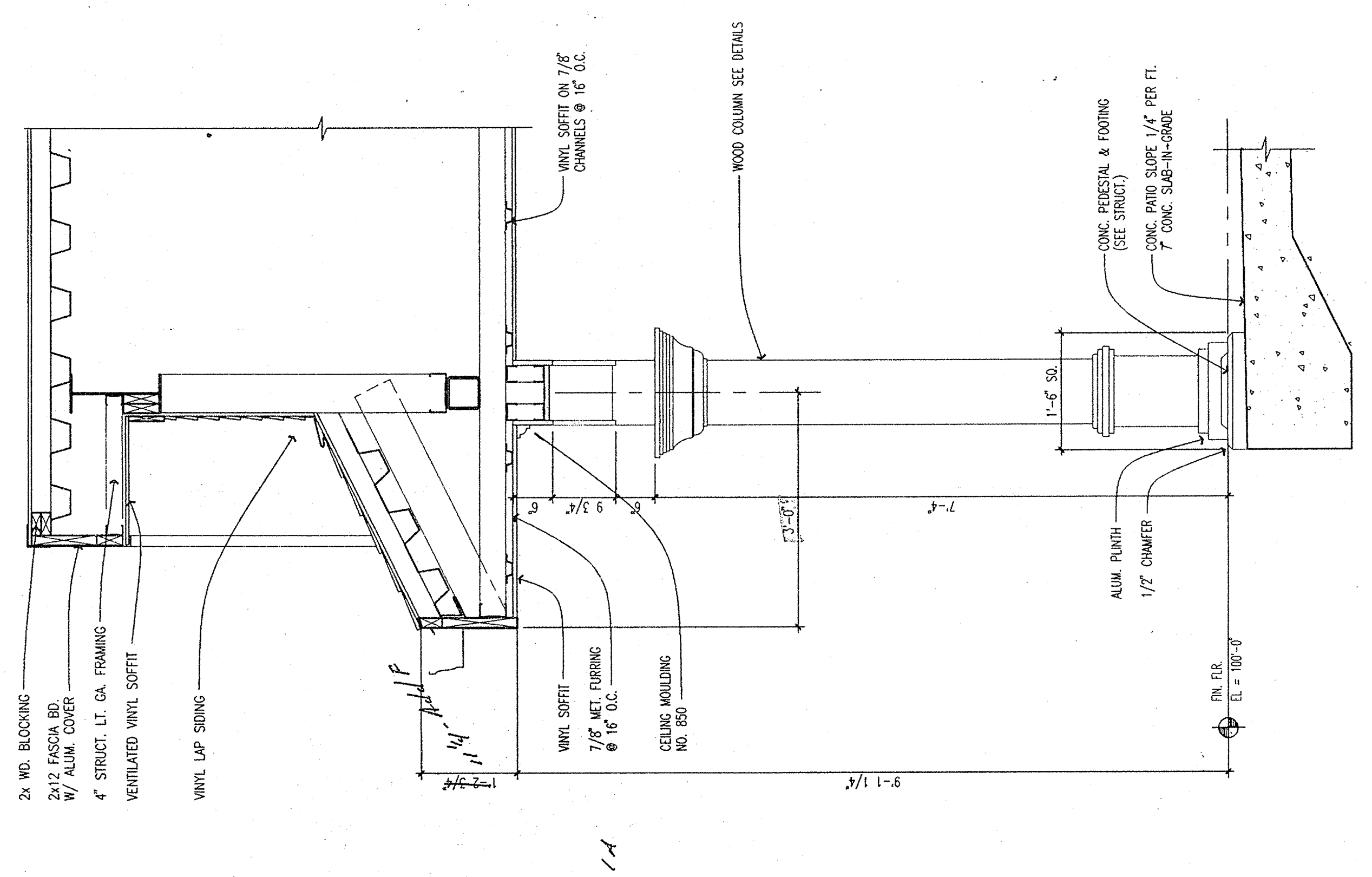
47 WALL SECTION  
3/4" = 1'-0"



44 SECTION AT COMMONS  
3/4" = 1'-0"



45 SECTION AT COMMONS  
3/4" = 1'-0"



46 SECTION AT COMMONS  
3/4" = 1'-0"

© RDC Schutte Wiscam Birge  
Reproduction is prohibited.  
These documents have been prepared for the  
CHRISTWOOD RETIREMENT CENTER project.  
They are not suitable for use on other  
projects or in other locations without the  
express written approval and permission  
of RDC Schutte Wiscam Birge, Inc.

**RDC Schutte Wiscam Birge**  
ARCHITECTURE  
8805 Indian Hills Drive, Suite 100, Omaha, Nebraska 68114  
402-392-0133 FAX 402-392-0133  
PLANNING

**CHRISTWOOD**  
A CONTINUING CARE RETIREMENT FACILITY  
LOUISIANA  
COVINGTON  
DATE: 25/NOVEMBER/2004  
PROJECT #: BCD-1400  
FILE: E15  
**A4.8**