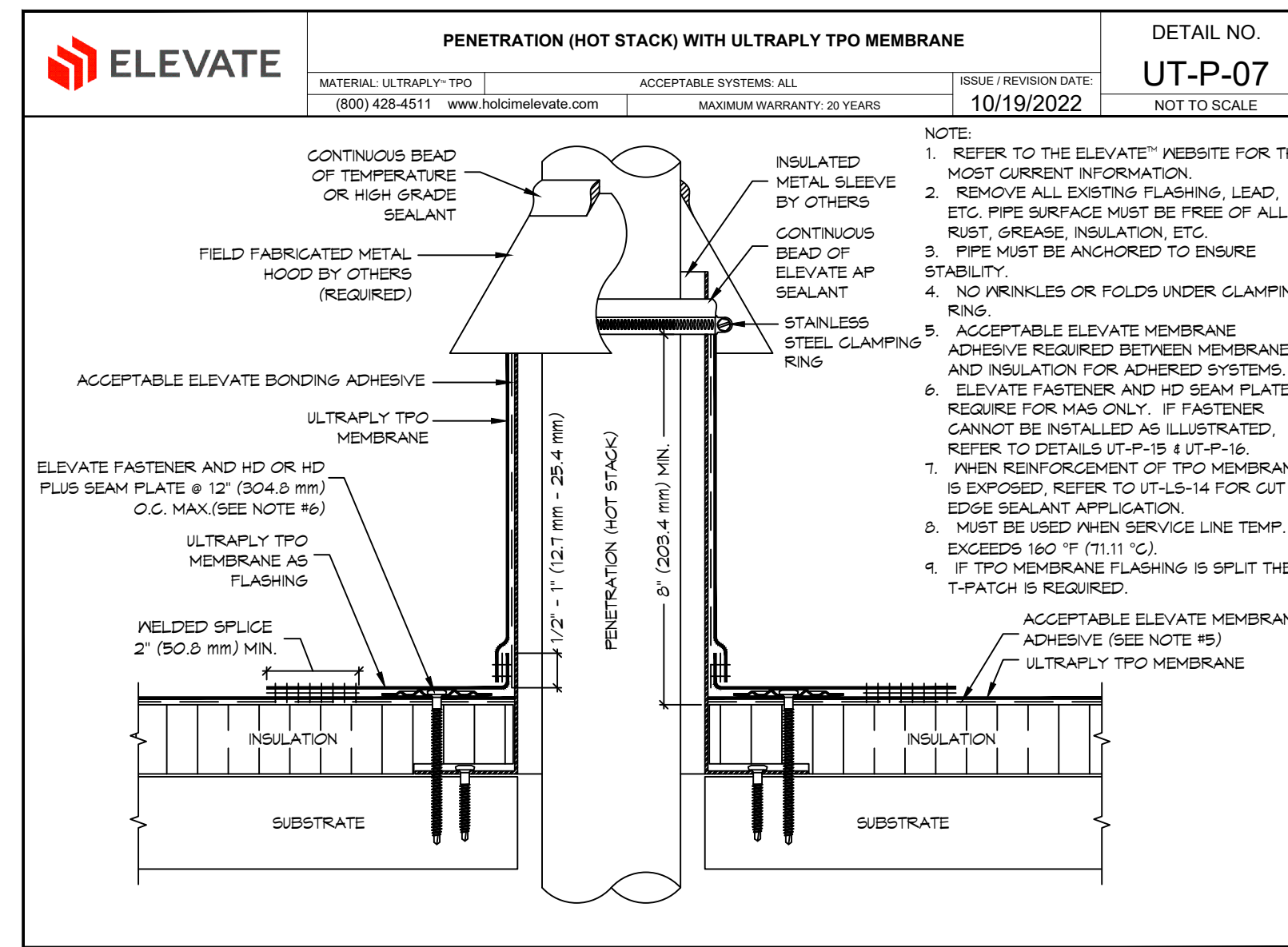
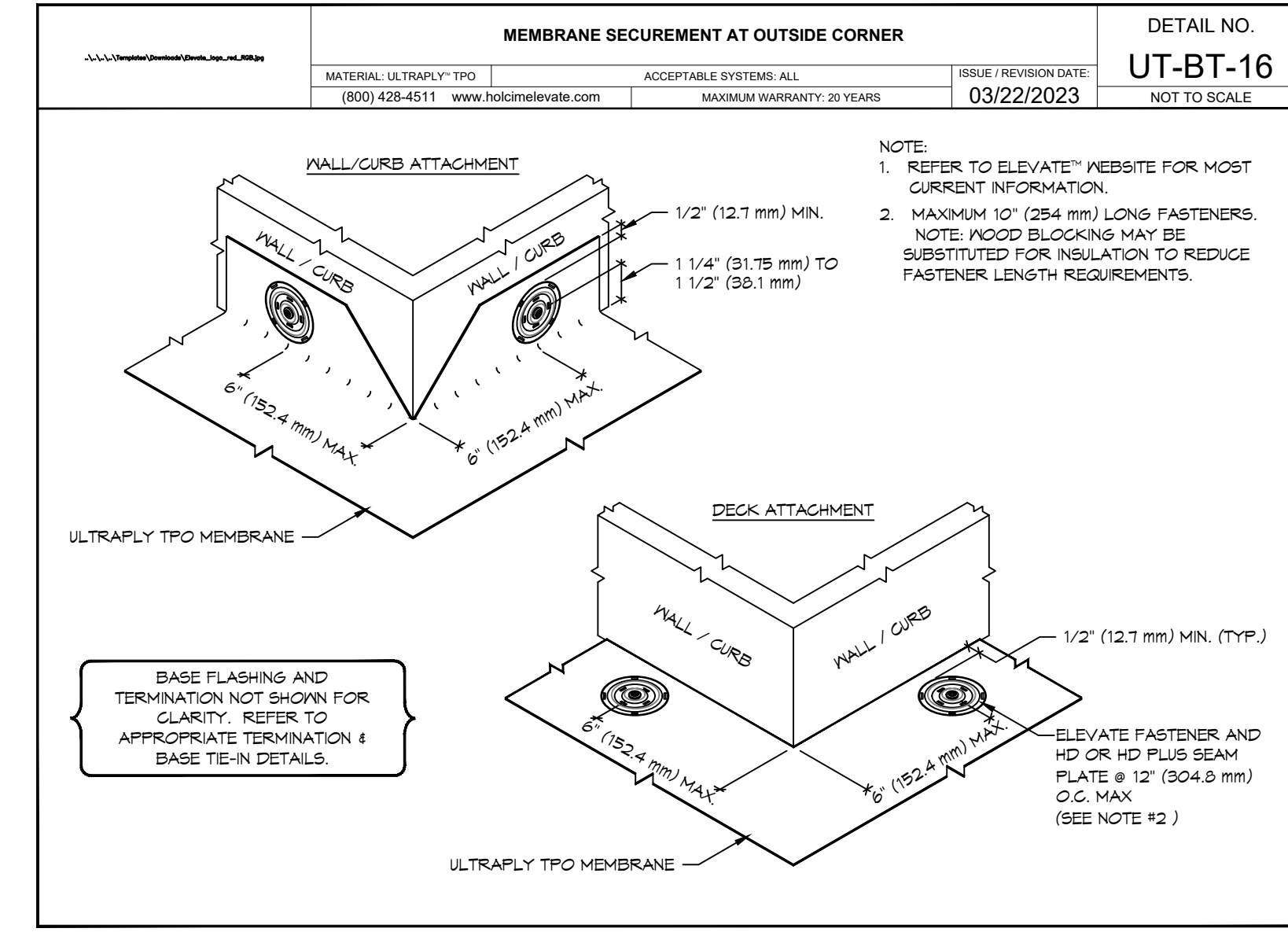


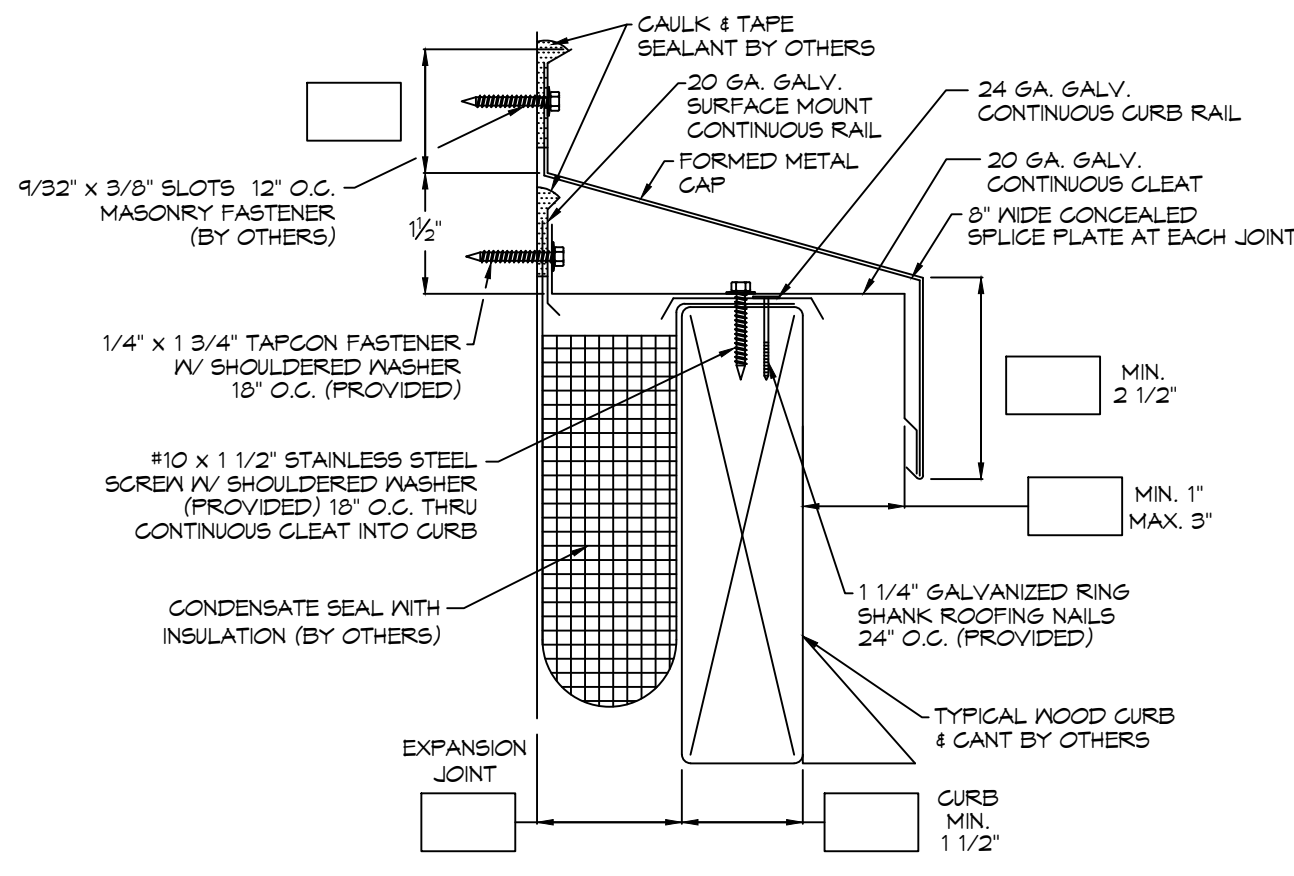
15 ANCHOR CLIP DETAIL
SCALE: N.T.S.



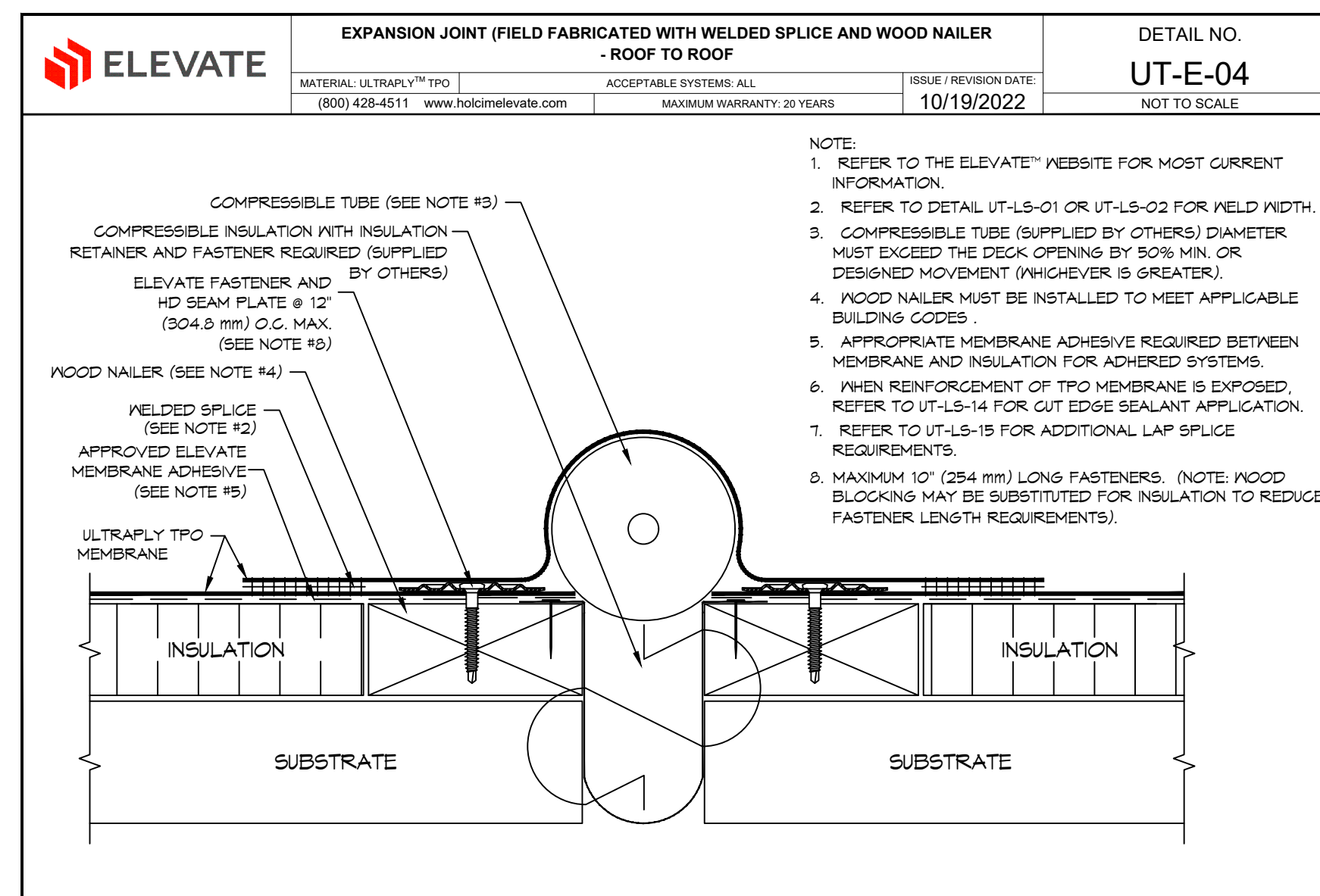
16 HOT STACK DETAIL
SCALE: N.T.S.



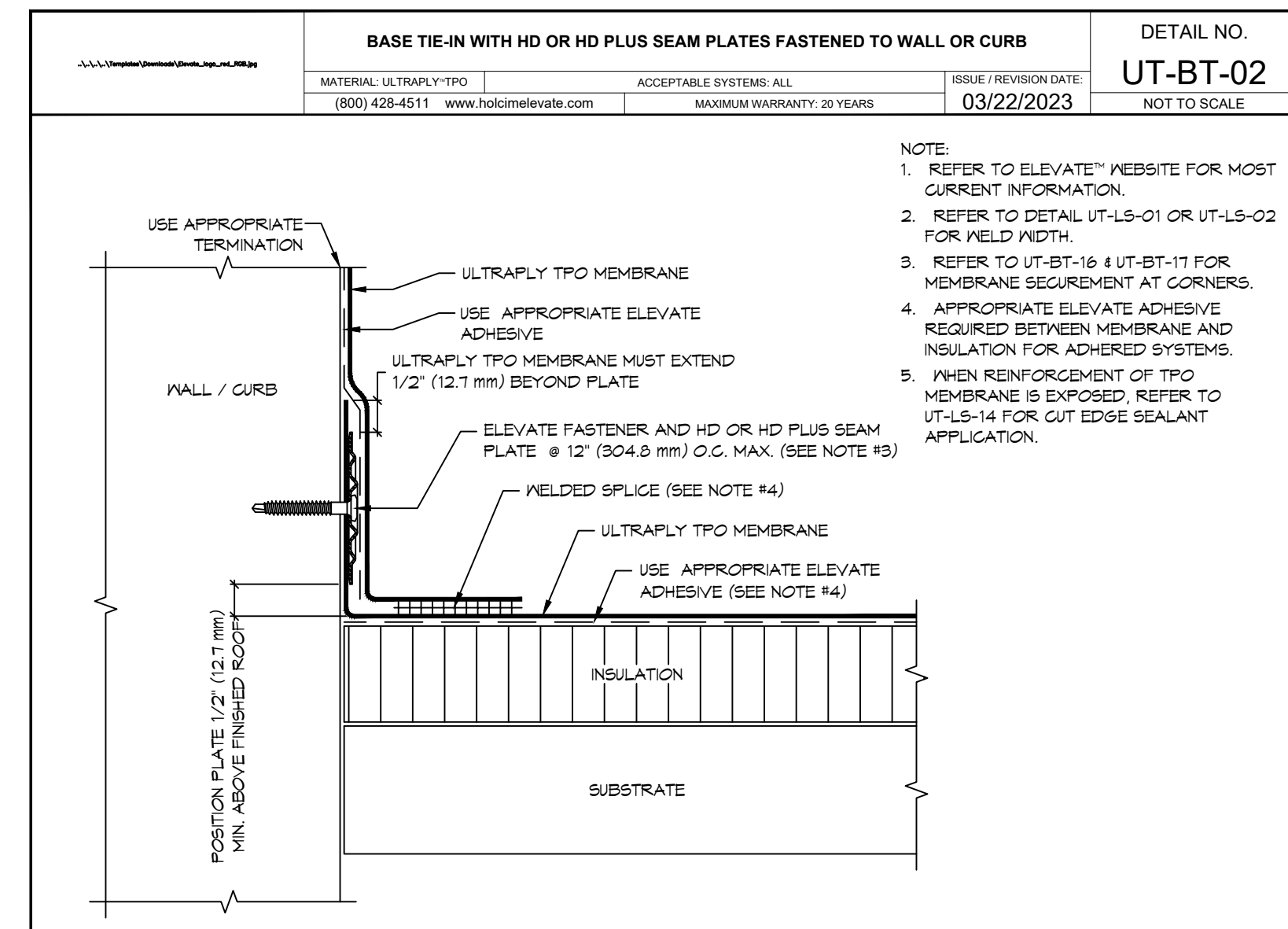
17 MEMBRANE DETAIL
SCALE: N.T.S.



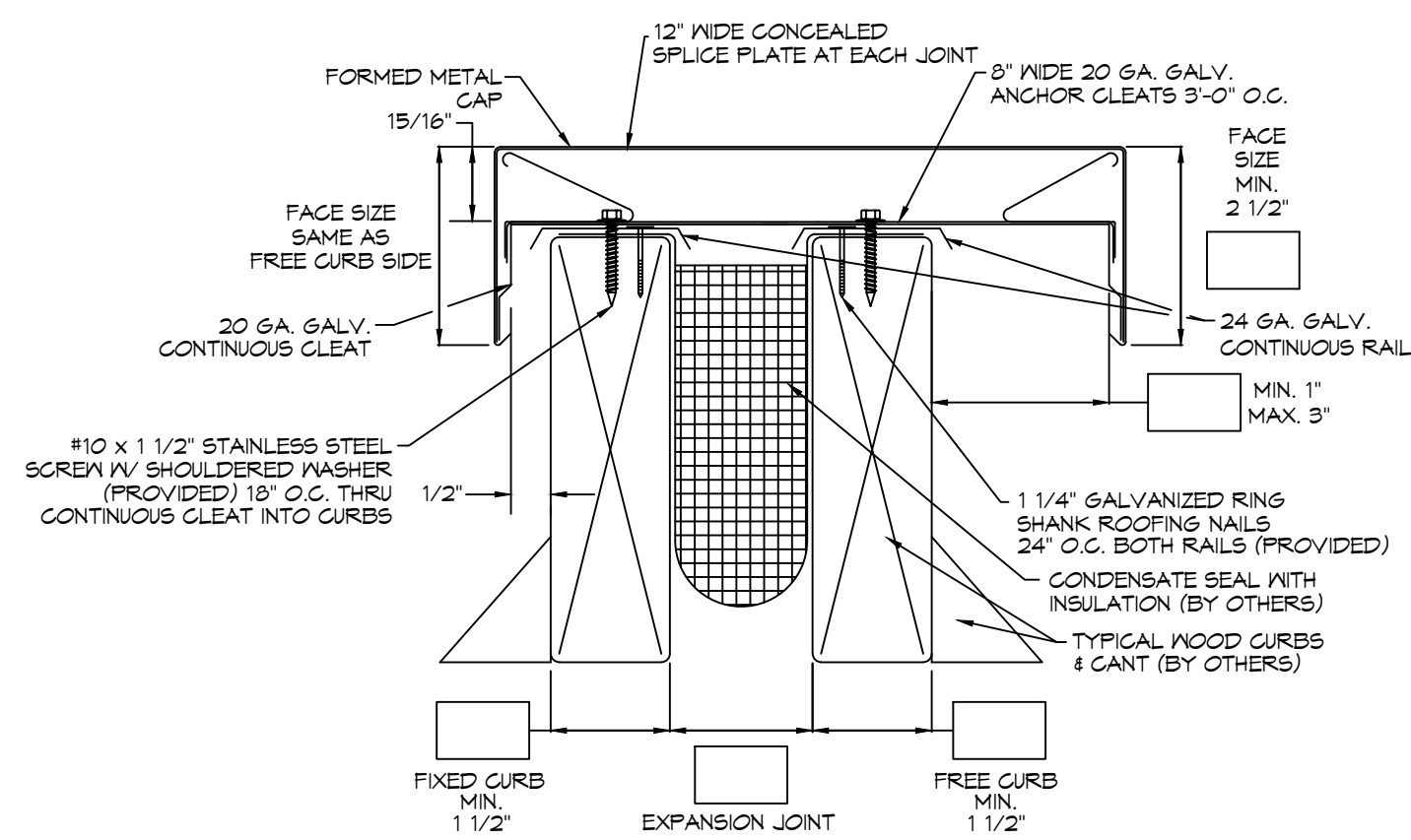
18 ROOF CAP DETAIL
SCALE: N.T.S.



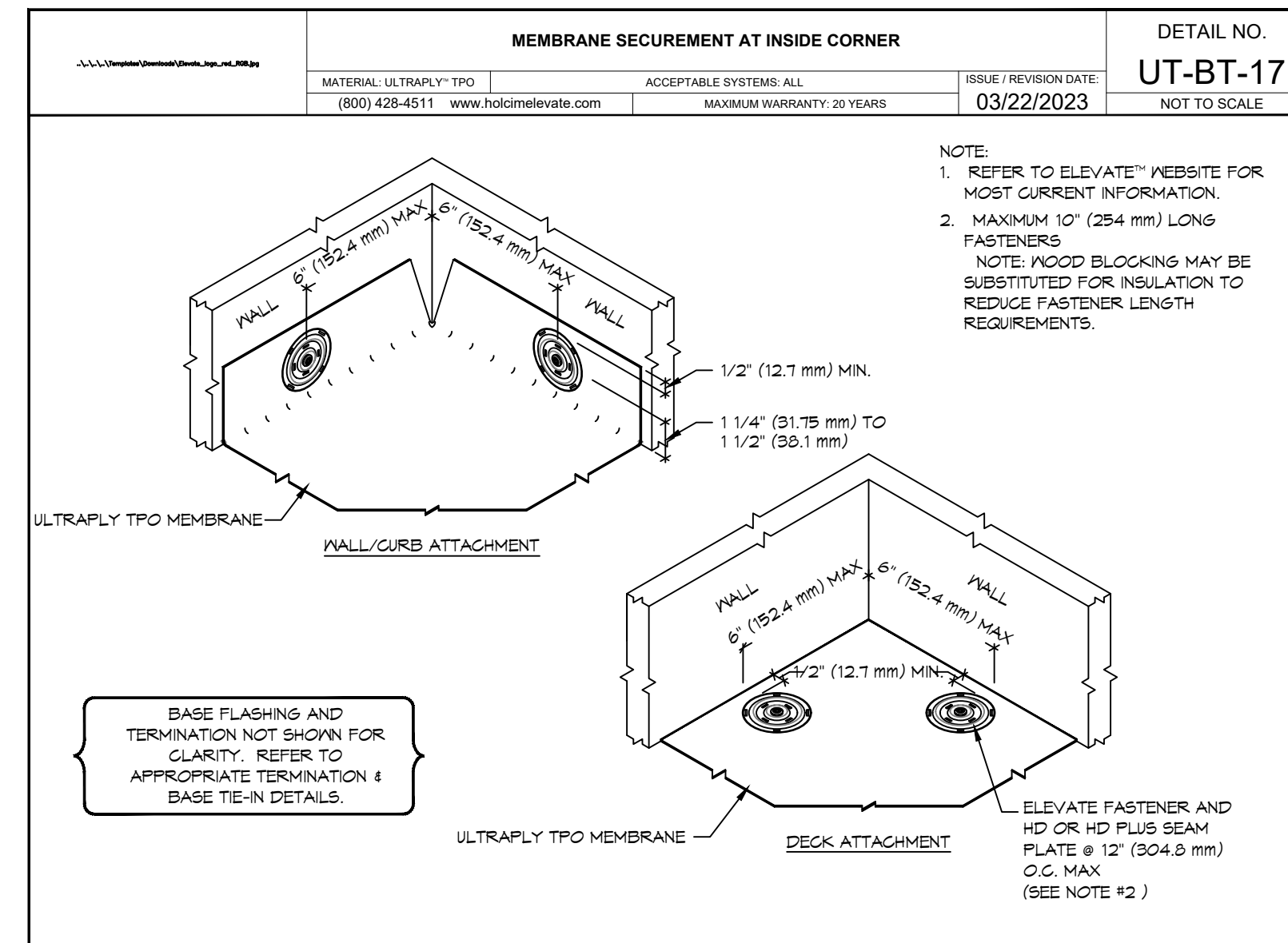
19 EXPANSION JOINT DETAIL
SCALE: N.T.S.



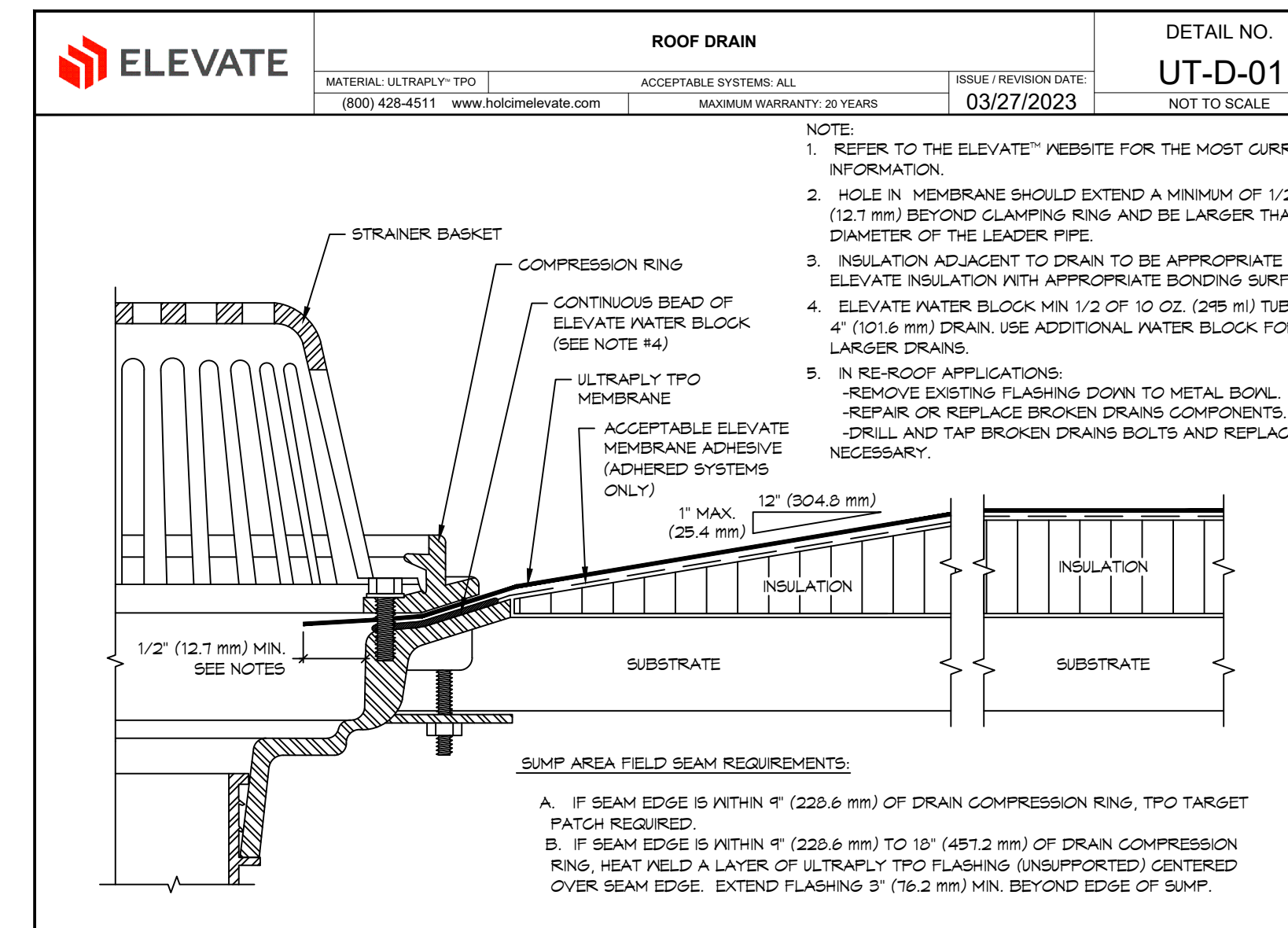
20 BASE TIE-IN DETAIL
SCALE: N.T.S.



21 ROOF CAP DETAIL
SCALE: N.T.S.



22 MEMBRANE DETAIL
SCALE: N.T.S.



23 ROOF DRAIN
SCALE: N.T.S.

DAMMON ENGINEERING, INC.
LOUISIANA & MISSISSIPPI
Chief Engineer: Brian Hirsch, PE
554 Old Spanish Trail
Shreveport, LA 71498
www.dammonengineering.com
info@dammonengineering.com
PH: 985.649.4832

REVISIONS	DATE	DESCRIPTION
#		

SEAL:

NEW PARTIAL RENOVATION
RED ROOF IN
SHEET TITLE: ROOF PLAN DETAILS
DRAWING NUMBER: **A104**
SHEET No. 6 of 10
DATE: 10-30-2023
JOB No.: 2451
DRAWN BY: CKD
CHECKED BY: JMS
1662 GAUGE BLVD., SUITE 100
SHREVEPORT, LA 71498