



THIS DRAWING (AND DATA THERE ON) IS CONFIDENTIAL AND PROPRIETARY AND SHALL NOT BE USED, DISCLOSED TO OTHERS, REPRODUCED FOR ANY PURPOSE EXCEPT FOR QUOTATION TO OR ORDER BY PIN WITHOUT WRITTEN CONSENT TO THE USE OF SUCH DRAWING AND/OR DATA.

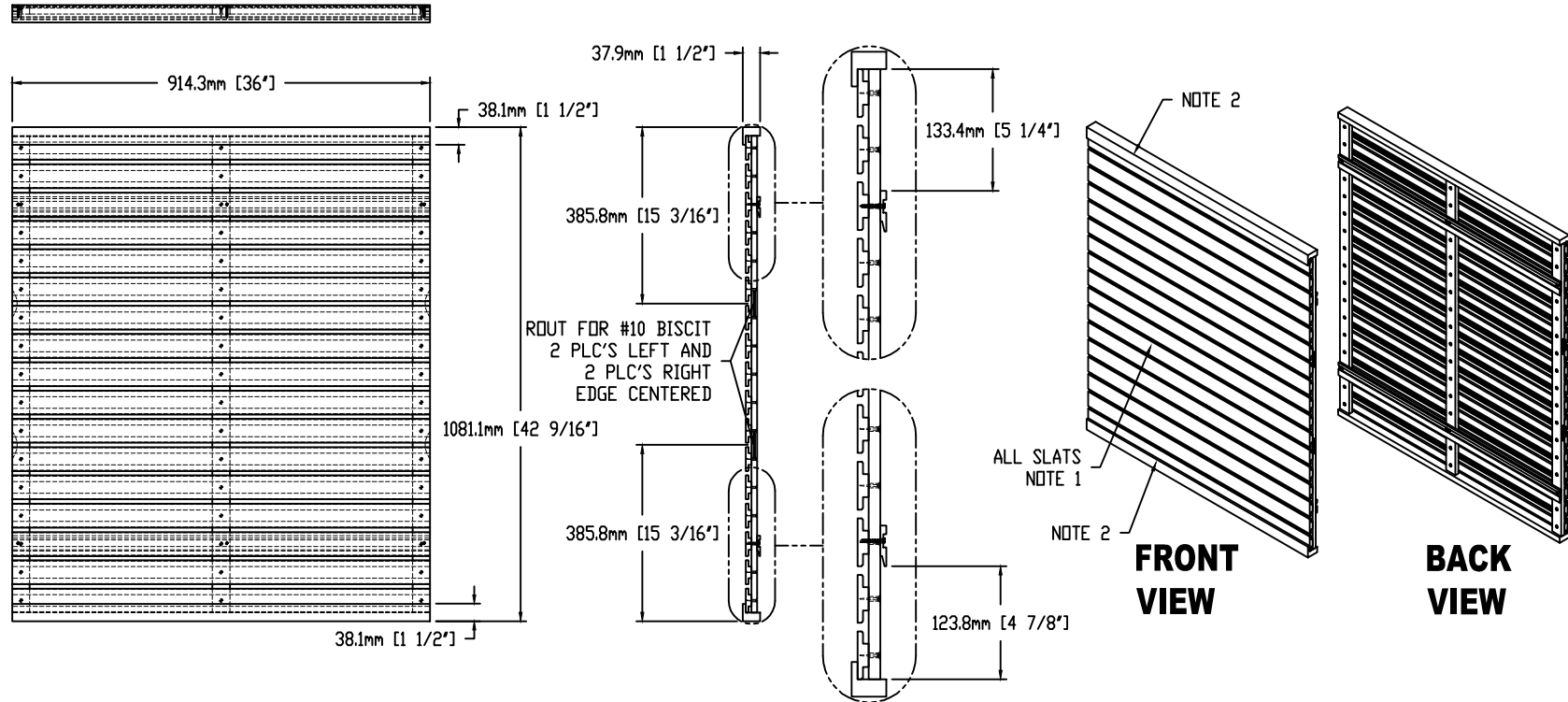
**NOTES:**


1. MATERIAL: POPLAR WOOD STAINED TO MATCH MEDIUM SAMPLES FROM CLIENT.
2. MATERIAL: POPLAR WOOD STAINED TO MATCH MOCHA SUEDE.

REV	DESCRIPTION	DATE	BY
-			

**NOTE:**

A MINIMUM of 5/8" REQUIRED ABOVE PANEL TO ENGAGE MOUNTING CLEAT



WORK CENTERS	100										
EDGEBANDING SYMBOLS	◀ = .5mm PVC EDGE BAND	◆ = LAMINATE EDGE BAND	◀ = 1mm PVC EDGE BAND	◆ = VENEER EDGE BAND	◀ = 3mm PVC EDGE BAND	■ = WOOD EDGE BAND					
Phone 800.647.6PIN	www.pinsolutions.net	WORKCENTER	PROGRAM#	WORKCENTER	PROGRAM#	TITLE:	36" SLATWALL CENTER SECTION MEDIUM STAINED SLATS		DATE:	29MAR12	
 <p>imagine it • design it • build it®</p>		GENERATE NORMAL PROGRAM	X			CUSTOMER:	LA QUINTA		SCALE:	N.T.S.	
		GEN. PROGRAM MIRRORED IN X	X	OPT. MODE FOR VER. DRILLING	2	QTY PER UNIT:			DRAWN BY:	ERP	
		GEN. PROGRAM MIRRORED IN Y	X	MOVEMENT MODE FOR					PART No.	59012-C	
		GEN. PROG. MIRRORED IN X & Y	X	HORZ. DRILLING		0					

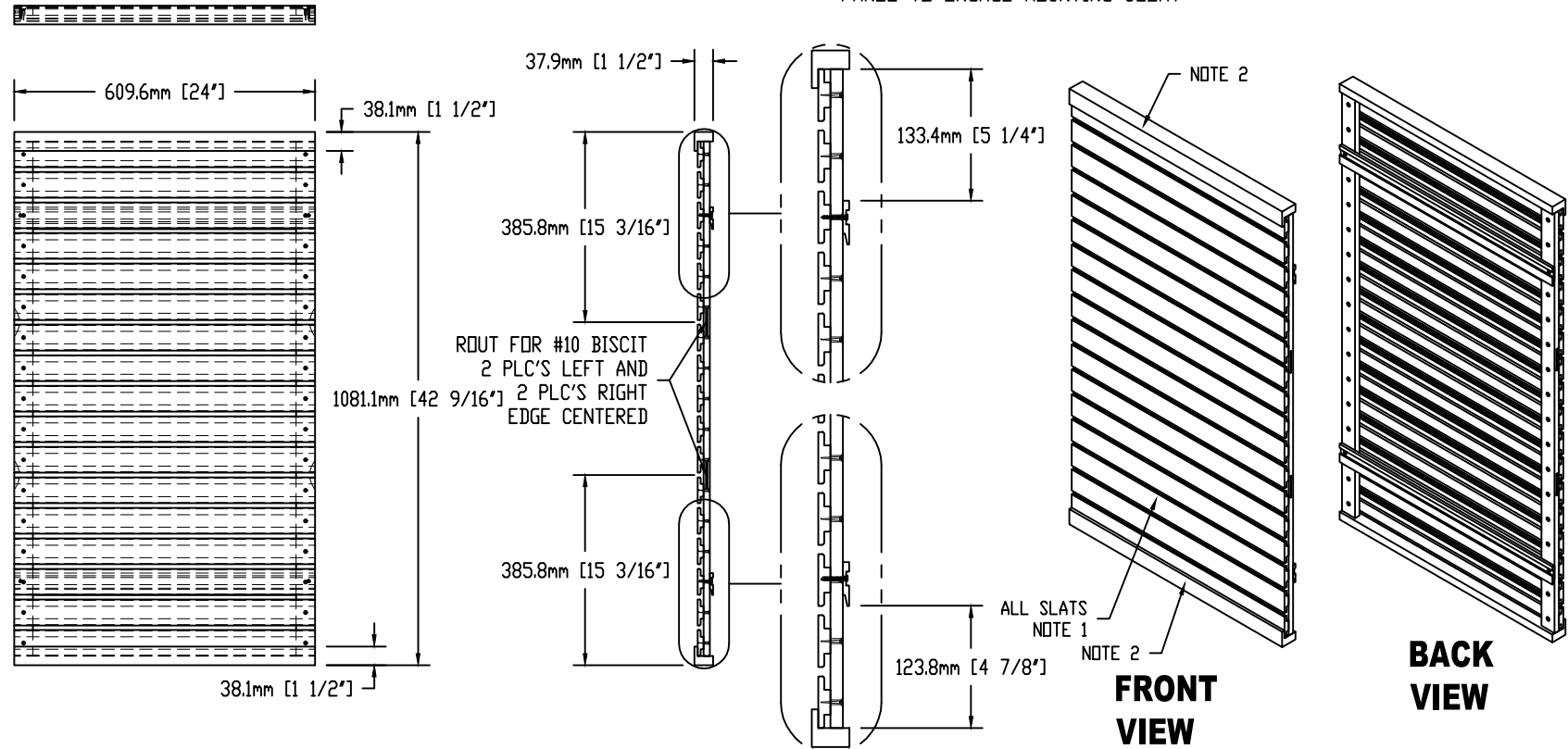
THIS DRAWING (AND DATA THERE ON) IS CONFIDENTIAL AND PROPRIETARY AND SHALL NOT BE USED, DISCLOSED TO OTHERS, REPRODUCED FOR ANY PURPOSE EXCEPT FOR QUOTATION TO OR ORDER BY PIN WITHOUT WRITTEN CONSENT TO THE USE OF SUCH DRAWING AND/OR DATA.

**NOTES:**

1. MATERIAL: POPLAR WOOD STAINED TO MATCH MEDIUM SAMPLES FROM CLIENT.
2. MATERIAL: POPLAR WOOD STAINED TO MATCH MOCHA SUEDE.

REV	DESCRIPTION	DATE	BY
-			

**NOTE:**  
A MINIMUM of 5/8" REQUIRED ABOVE PANEL TO ENGAGE MOUNTING CLEAT



WORK CENTERS	100										
EDGEBANDING SYMBOLS	◀ = .5mm PVC EDGE BAND	◆ = LAMINATE EDGE BAND	◀ = 1mm PVC EDGE BAND	◀ = VENEER EDGE BAND	◀ = 3mm PVC EDGE BAND	■ = WOOD EDGE BAND					
Phone 800.647.6PIN	www.pinsolutions.net	WORKCENTER	PROGRAM#	WORKCENTER	PROGRAM#	TITLE:	24" SLATWALL CENTER SECTION MEDIUM STAINED SLATS	DATE:	29MAR12		
<p>imagine it • design it • build it®</p>		300				CUSTOMER:	LA QUINTA	SCALE:	N.T.S.		
		GENERATE NORMAL PROGRAM	X			QTY PER UNIT:		DRAWN BY:	ERP		
		GEN. PROGRAM MIRRORRED IN X	X	OPT. MODE FOR VER. DRILLING	2			PART No.	59013-C		
		GEN. PROGRAM MIRRORRED IN Y	X	MOVEMENT MODE FOR							
		GEN. PROG. MIRRORRED IN X & Y	X	HORZ. DRILLING	0						

THIS DRAWING (AND DATA THERE ON) IS CONFIDENTIAL AND PROPRIETARY AND SHALL NOT BE USED, DISCLOSED TO OTHERS, REPRODUCED FOR ANY PURPOSE EXCEPT FOR QUOTATION TO OR ORDER BY PIN WITHOUT WRITTEN CONSENT TO THE USE OF SUCH DRAWING AND/OR DATA.

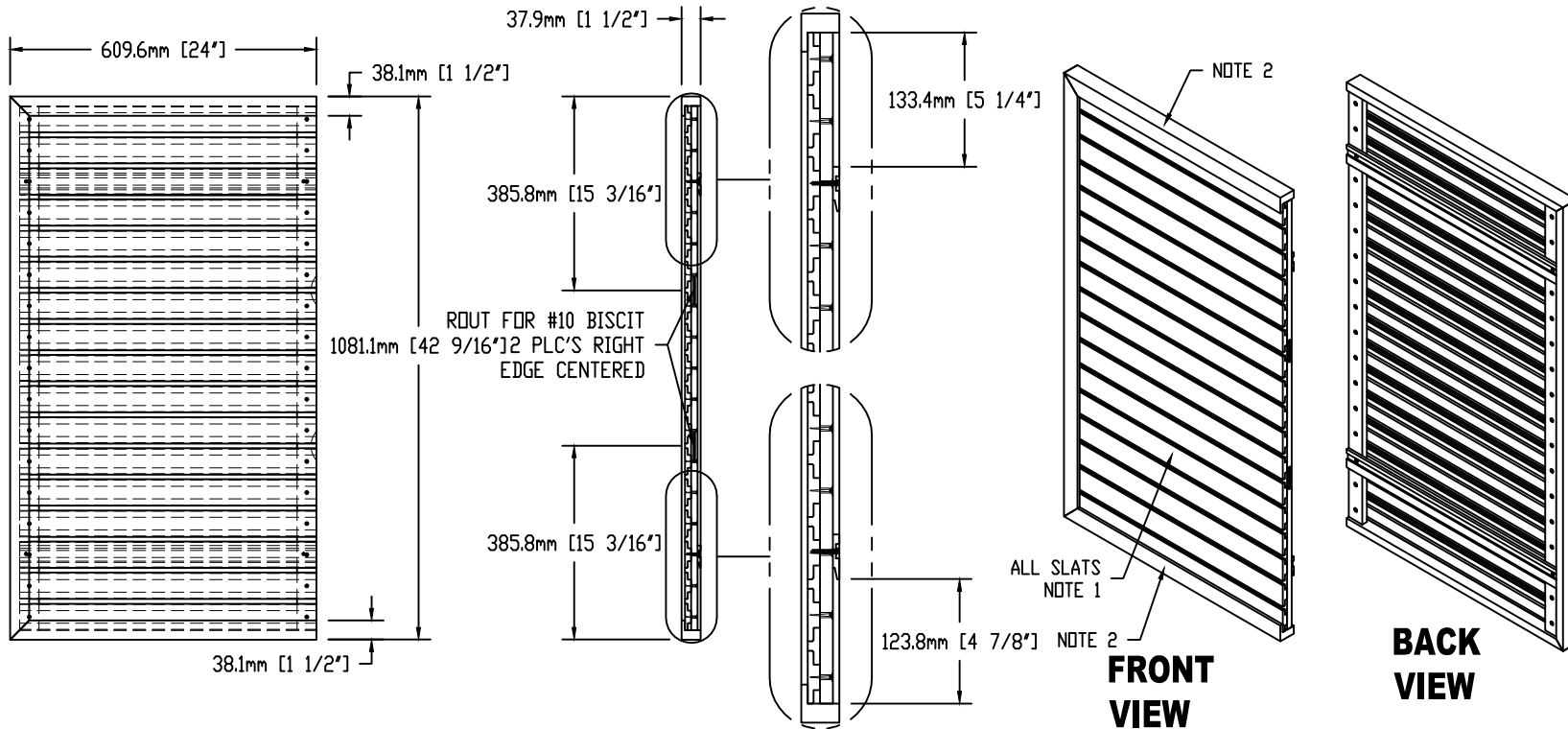
**NOTES:**


1. MATERIAL: POPLAR WOOD STAINED TO MATCH MEDIUM SAMPLES FROM CLIENT.
2. MATERIAL: POPLAR WOOD STAINED TO MATCH MOCHA SUEDE.

REV	DESCRIPTION	DATE	BY
-			



**NOTE:**  
A MINIMUM of 5/8" REQUIRED ABOVE PANEL TO ENGAGE MOUNTING CLEAT



WORK CENTERS	100										
EDGEBANDING SYMBOLS	◀ = .5mm PVC EDGE BAND	◆ = LAMINATE EDGE BAND	◀ = 1mm PVC EDGE BAND	◆ = VENEER EDGE BAND	◀ = 3mm PVC EDGE BAND	■ = WOOD EDGE BAND					
Phone 800.647.6PIN	www.pinsolutions.net	WORKCENTER	PROGRAM#	WORKCENTER	PROGRAM#	TITLE:	24" SLATWALL LEFT SECTION MEDIUM STAINED SLATS	DATE:	29MAR12		
 imagine it • design it • build it®		300				CUSTOMER:	LA QUINTA	SCALE:	N.T.S.		
		GENERATE NORMAL PROGRAM	X			QTY PER UNIT:		DRAWN BY:	ERP	PART No.	59013-L
		GEN. PROGRAM MIRRORRED IN X	X	OPT. MODE FOR VER. DRILLING	2						
		GEN. PROGRAM MIRRORRED IN Y	X	MOVEMENT MODE FOR							
		GEN. PROG. MIRRORRED IN X & Y	X	HORZ. DRILLING	0						

THIS DRAWING (AND DATA THERE ON) IS CONFIDENTIAL AND PROPRIETARY AND SHALL NOT BE USED, DISCLOSED TO OTHERS, REPRODUCED FOR ANY PURPOSE EXCEPT FOR QUOTATION TO OR ORDER BY PIN WITHOUT WRITTEN CONSENT TO THE USE OF SUCH DRAWING AND/OR DATA.

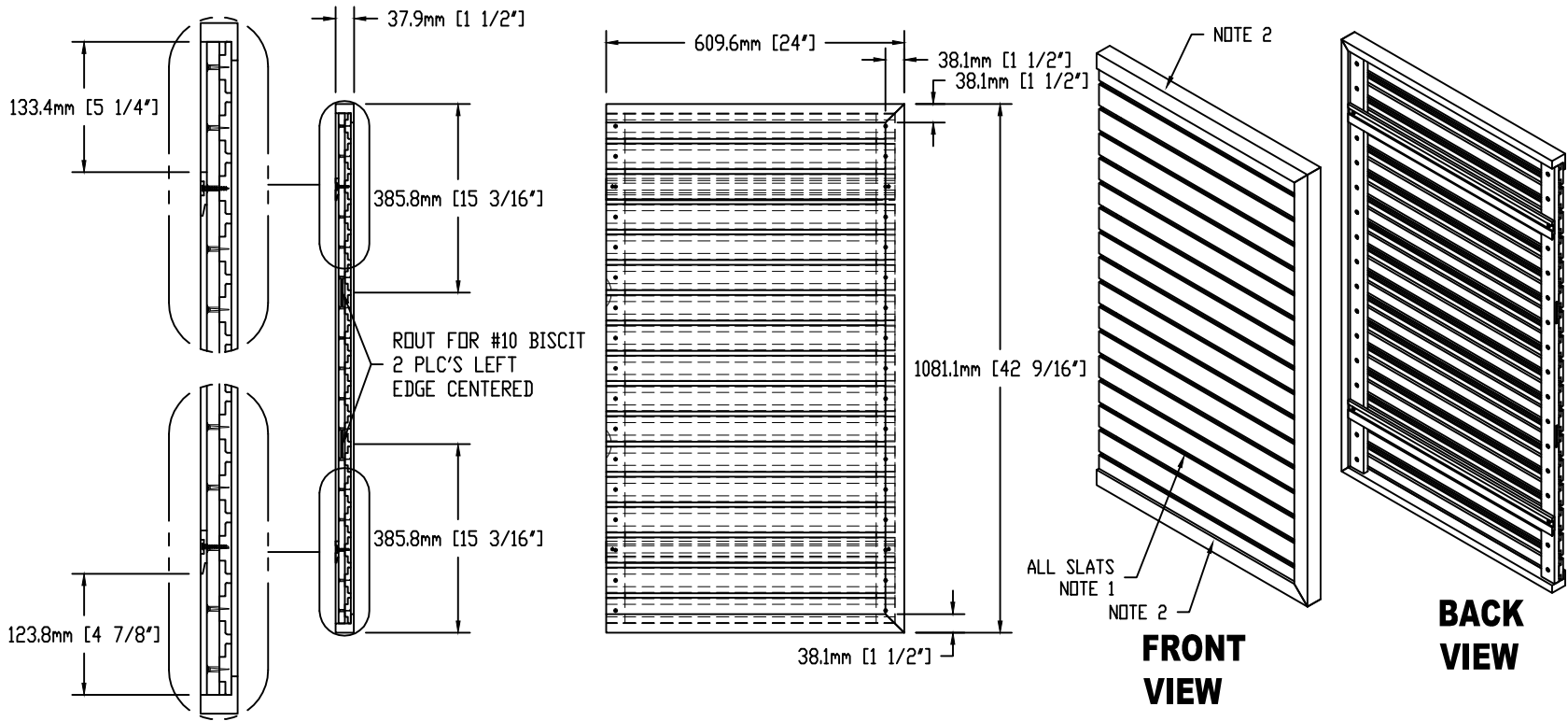
**NOTES:**


1. MATERIAL: POPLAR WOOD STAINED TO MATCH MEDIUM SAMPLES FROM CLIENT.
2. MATERIAL: POPLAR WOOD STAINED TO MATCH MOCHA SUEDE.

**NOTE:**

A MINIMUM of 5/8" REQUIRED ABOVE PANEL TO ENGAGE MOUNTING CLEAT

REV	DESCRIPTION	DATE	BY
-			



WORK CENTERS	100											
EDGEBANDING SYMBOLS	◀ = .5mm PVC EDGE BAND	◆ = LAMINATE EDGE BAND	◀ = 1mm PVC EDGE BAND	◆ = VENEER EDGE BAND	◀ = 3mm PVC EDGE BAND	■ = WOOD EDGE BAND						
Phone 800.647.6PIN	www.pinsolutions.net	WORKCENTER	PROGRAM#	WORKCENTER	PROGRAM#	TITLE:	24" SLATWALL RIGHT SECTION MEDIUM STAINED SLATS		DATE:	29MAR12		
 imagine it • design it • build it®		GENERATE NORMAL PROGRAM	X			CUSTOMER:	LA QUINTA		SCALE:	N.T.S.		
		GEN. PROGRAM MIRRORED IN X	X	OPT. MODE FOR VER. DRILLING	2	QTY PER UNIT:			DRAWN BY:	ERP		
		GEN. PROGRAM MIRRORED IN Y	X	MOVEMENT MODE FOR					PART No.	59013-R		
		GEN. PROG. MIRRORED IN X & Y	X	HORZ. DRILLING		0						

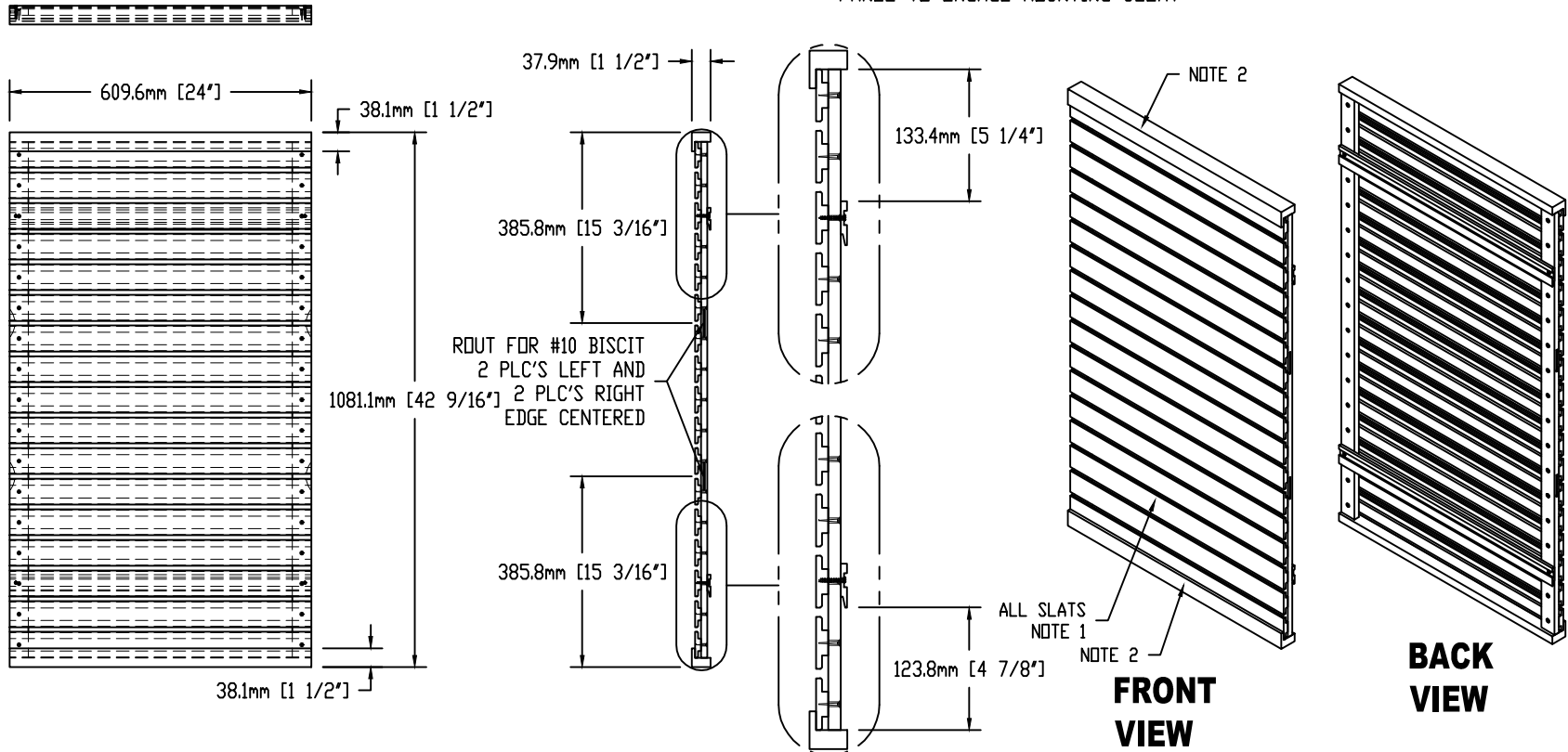
THIS DRAWING (AND DATA THERE ON) IS CONFIDENTIAL AND PROPRIETARY AND SHALL NOT BE USED, DISCLOSED TO OTHERS, REPRODUCED FOR ANY PURPOSE EXCEPT FOR QUOTATION TO OR ORDER BY PIN WITHOUT WRITTEN CONSENT TO THE USE OF SUCH DRAWING AND/OR DATA.


**NOTES:**

1. MATERIAL: POPLAR WOOD LAMINATED TO MATCH WILSONART SATIN STAINLESS 1 SIDE BACKER 1 SIDE.
2. MATERIAL: POPLAR WOOD STAINED TO MATCH MOCHA SUEDE.

REV	DESCRIPTION	DATE	BY
-			

NOTE:  
A MINIMUM of 5/8" REQUIRED ABOVE  
PANEL TO ENGAGE MOUNTING CLEAT



WORK CENTERS	100																				
EDGE BANDING SYMBOLS	◀ = .5mm PVC EDGE BAND		◆ = LAMINATE EDGE BAND		◀ = IMM PVC EDGE BAND		◆ = VENEER EDGE BAND		◀ = 3mm PVC EDGE BAND		■ = WOOD EDGE BAND										
Phone 800.647.6PIN	www.pinsolutions.net		WORKCENTER	PROGRAM#	WORKCENTER	PROGRAM#	TITLE: 24" SLATWALL CENTER SECTION LAMINATED SLATS					DATE: 29MAR12									
 imagine it • design it • build it®			GENERATE NORMAL PROGRAM	X			CUSTOMER: LA QUINTA					SCALE: N.T.S.									
			GEN. PROGRAM MIRRORED IN X	X	OPT. MODE FOR VER. DRILLING	2	QTY PER UNIT:					DRAWN BY: ERP									
			GEN. PROGRAM MIRRORED IN Y	X	MOVEMENT MODE FOR							PART No. 59019-C									
			GEN. PROG. MIRRORED IN X & Y	X	HORZ. DRILLING	0															

THIS DRAWING (AND DATA THERE ON) IS CONFIDENTIAL AND PROPRIETARY AND SHALL NOT BE USED, DISCLOSED TO OTHERS, REPRODUCED FOR ANY PURPOSE EXCEPT FOR QUOTATION TO OR ORDER BY PIN WITHOUT WRITTEN CONSENT TO THE USE OF SUCH DRAWING AND/OR DATA.

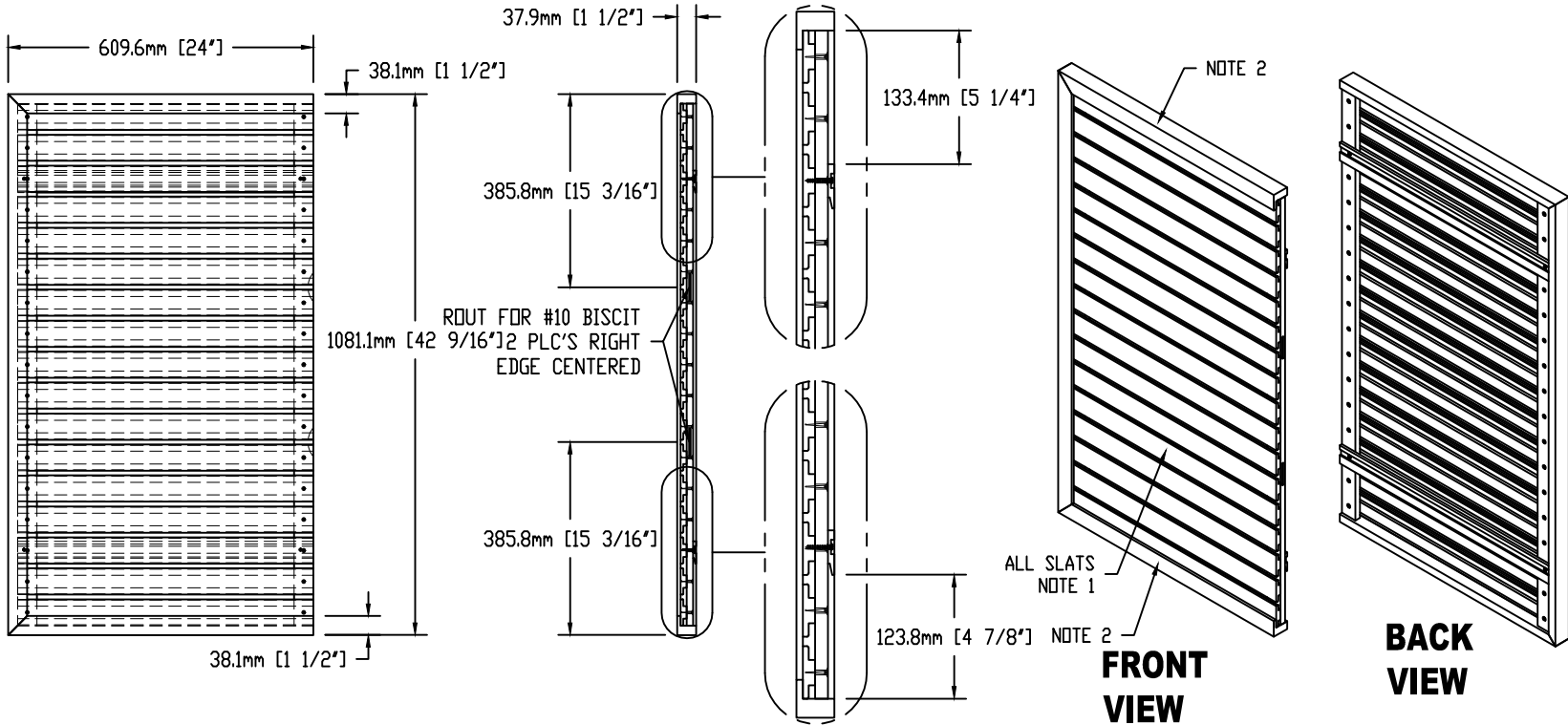
**NOTES:**

- 1. MATERIAL: POPLAR WOOD LAMINATED TO MATCH WILSONART SATIN STAINLESS 1 SIDE BACKER 1 SIDE.
- 2. MATERIAL: POPLAR WOOD STAINED TO MATCH MOCHA SUEDE.

REV	DESCRIPTION	DATE	BY
-			



**NOTE:**  
A MINIMUM of 5/8" REQUIRED ABOVE PANEL TO ENGAGE MOUNTING CLEAT



WORK CENTERS	100											
EDGEBANDING SYMBOLS		= .5mm PVC EDGE BAND		= LAMINATE EDGE BAND		= 1mm PVC EDGE BAND		= VENEER EDGE BAND		= 3mm PVC EDGE BAND		= WOOD EDGE BAND
Phone 800.647.6PIN	www.pinsolutions.net		WORKCENTER	PROGRAM#	WORKCENTER	PROGRAM#	TITLE: 24" SLATWALL LEFT SECTION LAMINATED SLATS			DATE: 29MARI2		
		imagine it • design it • build it®		GENERATE NORMAL PROGRAM	X		CUSTOMER: LA QUINTA			SCALE: N.T.S.		
				GEN. PROGRAM MIRRORRED IN X	X	OPT. MODE FOR VER. DRILLING	2		QTY PER UNIT:		DRAWN BY:	PART No.
				GEN. PROGRAM MIRRORRED IN Y	X	MOVEMENT MODE FOR			ERP		59019-L	
				GEN. PROG. MIRRORRED IN X & Y	X	HORZ. DRILLING	0					

THIS DRAWING (AND DATA THERE ON) IS CONFIDENTIAL AND PROPRIETARY AND SHALL NOT BE USED, DISCLOSED TO OTHERS, REPRODUCED FOR ANY PURPOSE EXCEPT FOR QUOTATION TO OR ORDER BY PIN WITHOUT WRITTEN CONSENT TO THE USE OF SUCH DRAWING AND/OR DATA.

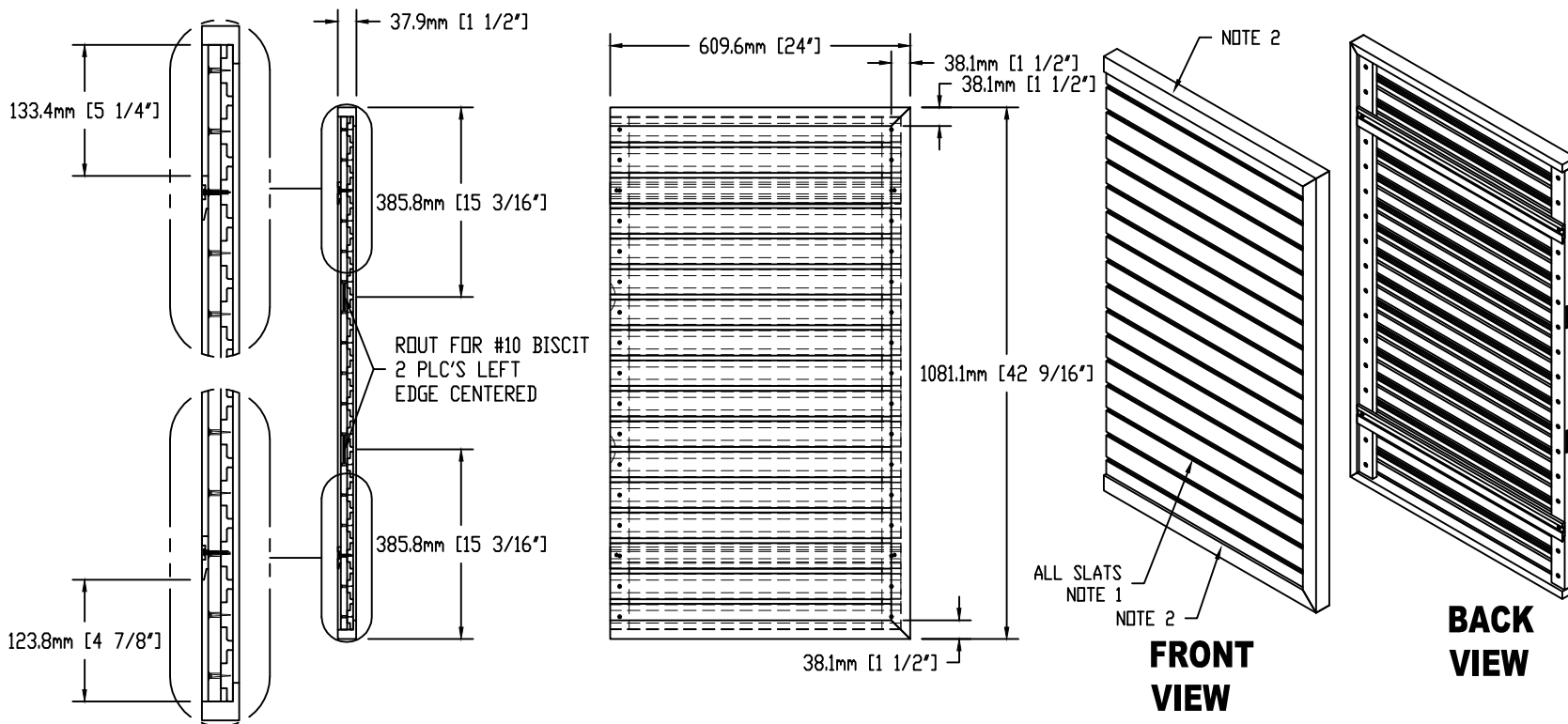
**NOTES:**


1. MATERIAL: POPLAR WOOD LAMINATED TO MATCH WILSONART SATIN STAINLESS 1 SIDE BACKER 1 SIDE.
2. MATERIAL: POPLAR WOOD STAINED TO MATCH MOCHA SUEDE.

**NOTE:**

A MINIMUM of 5/8" REQUIRED ABOVE PANEL TO ENGAGE MOUNTING CLEAT

REV	DESCRIPTION	DATE	BY
-			



WORK CENTERS	100										
EDGEBANDING SYMBOLS	◀ = .5mm PVC EDGE BAND	◆ = LAMINATE EDGE BAND	◀ = 1mm PVC EDGE BAND	◆ = VENEER EDGE BAND	◀ = 3mm PVC EDGE BAND	■ = WOOD EDGE BAND					
Phone 800.647.6PIN	www.pinsolutions.net	WORKCENTER	PROGRAM#	WORKCENTER	PROGRAM#	TITLE:	24" SLATWALL RIGHT SECTION LAMINATED SLATS		DATE:	29MAR12	
 <p>imagine it • design it • build it®</p>		300				CUSTOMER:	LA QUINTA		SCALE:	N.T.S.	
		GENERATE NORMAL PROGRAM	X			QTY PER UNIT:			DRAWN BY:	ERP	
		GEN. PROGRAM MIRRORED IN X	X	OPT. MODE FOR VER. DRILLING	2				PART No.	59019-R	
		GEN. PROGRAM MIRRORED IN Y	X	MOVEMENT MODE FOR							
		GEN. PROG. MIRRORED IN X & Y	X	HORZ. DRILLING	0						

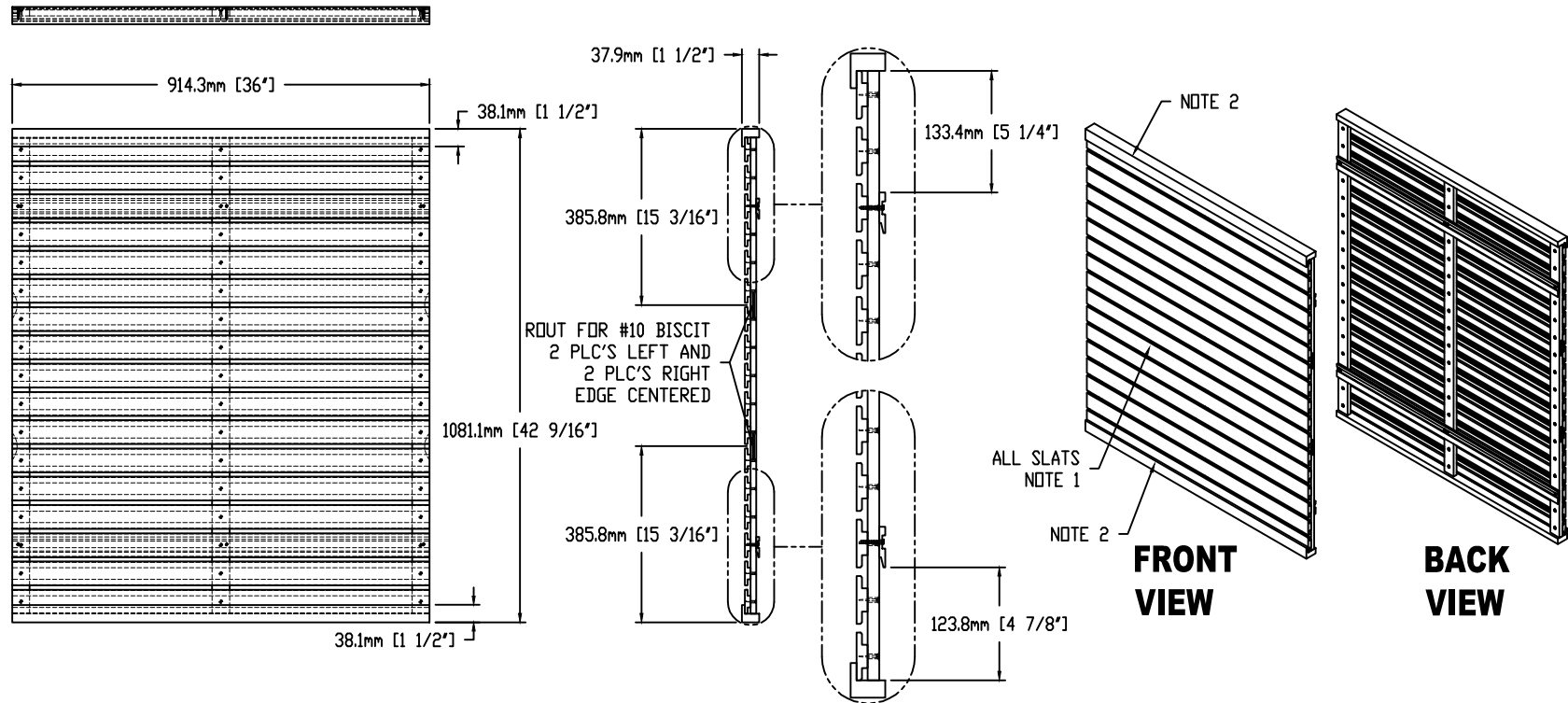
THIS DRAWING (AND DATA THERE ON) IS CONFIDENTIAL AND PROPRIETARY AND SHALL NOT BE USED, DISCLOSED TO OTHERS, REPRODUCED FOR ANY PURPOSE EXCEPT FOR QUOTATION TO OR ORDER BY PIN WITHOUT WRITTEN CONSENT TO THE USE OF SUCH DRAWING AND/OR DATA.

**NOTES:**

1. MATERIAL: POPLAR WOOD LAMINATED TO MATCH WILSONART SATIN STAINLESS 1 SIDE BACKER 1 SIDE.
2. MATERIAL: POPLAR WOOD STAINED TO MATCH MOCHA SUEDE.

REV	DESCRIPTION	DATE	BY
-			

**NOTE:**  
A MINIMUM of 5/8" REQUIRED ABOVE  
PANEL TO ENGAGE MOUNTING CLEAT



WORK CENTERS	100												
EDGEBANDING SYMBOLS		◀ = .5mm PVC EDGE BAND	◆ = LAMINATE EDGE BAND	◀ = 1mm PVC EDGE BAND	◆ = VENEER EDGE BAND	◀ = 3mm PVC EDGE BAND	■ = WOOD EDGE BAND						
Phone 800.647.6PIN		www.pinsolutions.net		WORKCENTER	PROGRAM#	WORKCENTER	PROGRAM#	TITLE: 36" SLATWALL CENTER SECTION			DATE: 29MAR12		
<p>imagine it • design it • build it®</p>				300				LAMINATED SLATS			SCALE: N.T.S.		
GENERATE NORMAL PROGRAM				X				CUSTOMER: LA QUINTA					
GEN. PROGRAM MIRRORRED IN X				X	OPT. MODE FOR VER. DRILLING		2	QTY PER UNIT:			DRAWN BY: ERP		
GEN. PROGRAM MIRRORRED IN Y				X	MOVEMENT MODE FOR						PART No. 59020-C		
GEN. PROG. MIRRORRED IN X & Y				X	HORZ. DRILLING		0						

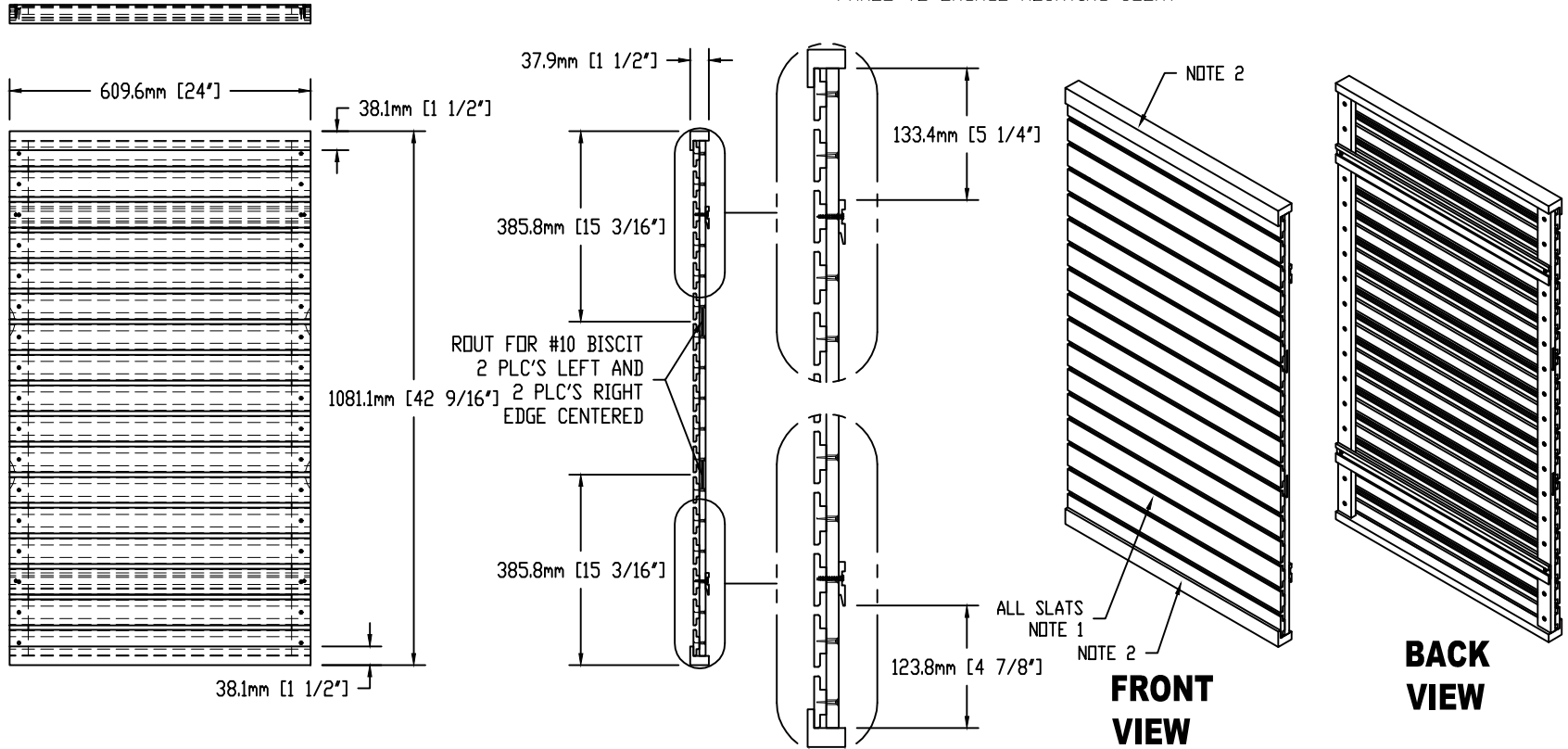
THIS DRAWING (AND DATA THERE ON) IS CONFIDENTIAL AND PROPRIETARY AND SHALL NOT BE USED, DISCLOSED TO OTHERS, REPRODUCED FOR ANY PURPOSE EXCEPT FOR QUOTATION TO OR ORDER BY PIN WITHOUT WRITTEN CONSENT TO THE USE OF SUCH DRAWING AND/OR DATA.


**NOTES:**

- MATERIAL: POPLAR WOOD STAINED TO MATCH LIGHT SAMPLES FROM CLIENT.
- MATERIAL: POPLAR WOOD STAINED TO MATCH MOCHA SUEDE.

REV	DESCRIPTION	DATE	BY
-			

NOTE:  
A MINIMUM of 5/8" REQUIRED ABOVE PANEL TO ENGAGE MOUNTING CLEAT



WORK CENTERS	100													
EDGE-BANDING SYMBOLS	◀ = .5mm PVC EDGE BAND	◆ = LAMINATE EDGE BAND	◁ = 1mm PVC EDGE BAND	◄ = VENEER EDGE BAND	◃ = 3mm PVC EDGE BAND	■ = WOOD EDGE BAND								
Phone 800.647.6PIN	<a href="http://www.pinsolutions.net">www.pinsolutions.net</a>	WORKCENTER	PROGRAM#	WORKCENTER	PROGRAM#	TITLE:		24" SLATWALL CENTER SECTION LIGHT STAINED SLATS		DATE:		29MAR12		
 imagine it • design it • build it®		300				GENERATE NORMAL PROGRAM		X		CUSTOMER:		LA QUINTA		
			X			GEN. PROGRAM MIRRORRED IN X		X	OPT. MODE FOR VER. DRILLING	2	QTY PER UNIT:		DRAWN BY:	
			X			GEN. PROGRAM MIRRORRED IN Y		X	MOVEMENT MODE FOR		ERP		PART No.	
			X			GEN. PROG. MIRRORRED IN X & Y		X	HORIZ. DRILLING	0			59023-C	

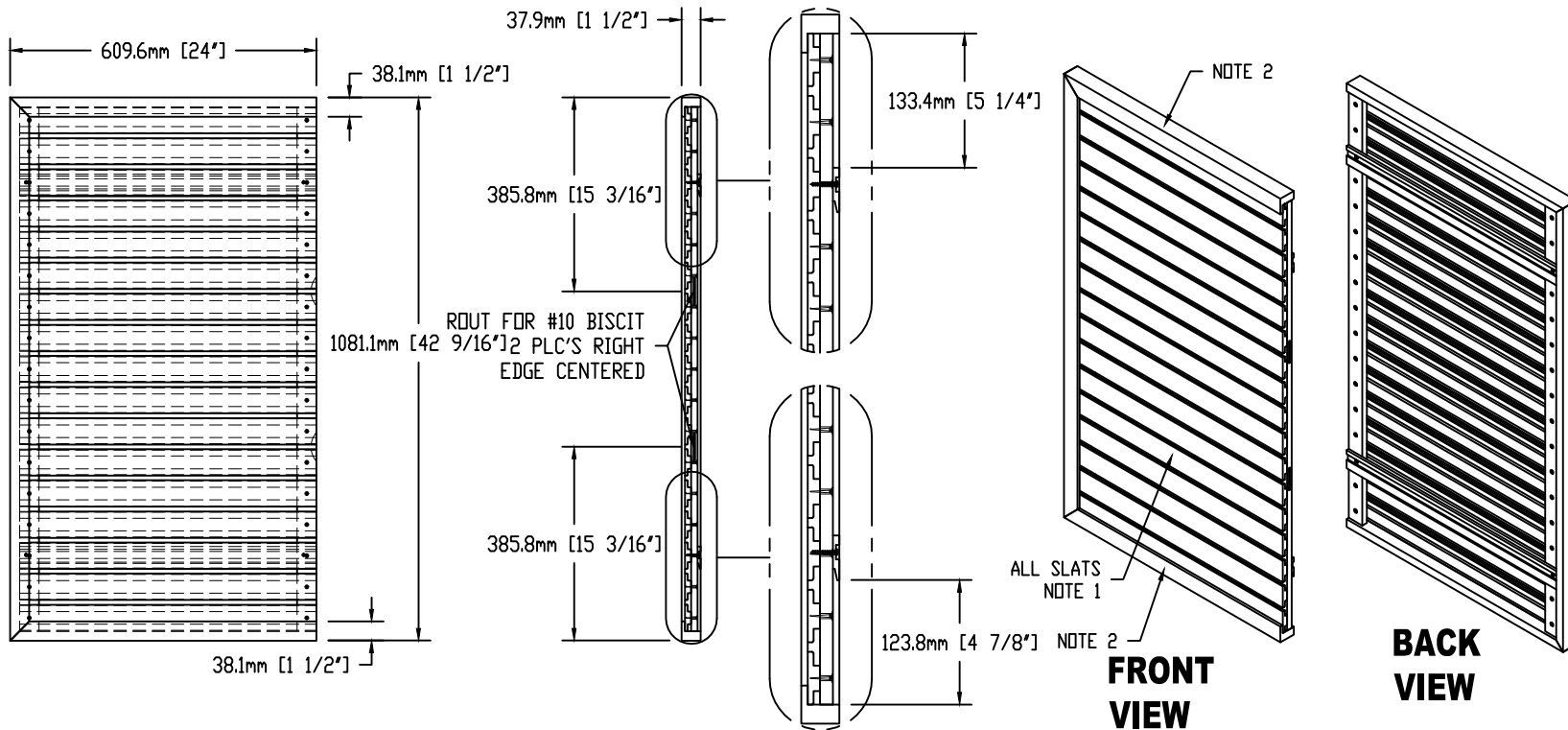
THIS DRAWING (AND DATA THERE ON) IS CONFIDENTIAL AND PROPRIETARY AND SHALL NOT BE USED, DISCLOSED TO OTHERS, REPRODUCED FOR ANY PURPOSE EXCEPT FOR QUOTATION TO OR ORDER BY PIN WITHOUT WRITTEN CONSENT TO THE USE OF SUCH DRAWING AND/OR DATA.


**NOTES:**

1. MATERIAL: POPLAR WOOD STAINED TO MATCH LIGHT SAMPLES FROM CLIENT.
2. MATERIAL: POPLAR WOOD STAINED TO MATCH MOCHA SUEDE.

REV	DESCRIPTION	DATE	BY
-			

**NOTE:**  
A MINIMUM of 5/8" REQUIRED ABOVE PANEL TO ENGAGE MOUNTING CLEAT



WORK CENTERS	100										
EDGEBANDING SYMBOLS	◀ = .5mm PVC EDGE BAND	◆ = LAMINATE EDGE BAND	◀ = 1mm PVC EDGE BAND	◆ = VENEER EDGE BAND	◀ = 3mm PVC EDGE BAND	■ = WOOD EDGE BAND					
Phone 800.647.6PIN	www.pinsolutions.net	WORKCENTER	PROGRAM#	WORKCENTER	PROGRAM#	TITLE:	24" SLATWALL LEFT SECTION LIGHT STAINED SLATS		DATE:	29MAR12	
 imagine it • design it • build it®		300				CUSTOMER:	LA QUINTA		SCALE:	N.T.S.	
		GENERATE NORMAL PROGRAM	X			QTY PER UNIT:			DRAWN BY:	ERP	
		GEN. PROGRAM MIRRORRED IN X	X	OPT. MODE FOR VER. DRILLING	2				PART No.	59023-L	
		GEN. PROGRAM MIRRORRED IN Y	X	MOVEMENT MODE FOR							
		GEN. PROG. MIRRORRED IN X & Y	X	HORZ. DRILLING	0						

THIS DRAWING (AND DATA THERE ON) IS CONFIDENTIAL AND PROPRIETARY AND SHALL NOT BE USED, DISCLOSED TO OTHERS, REPRODUCED FOR ANY PURPOSE EXCEPT FOR QUOTATION TO OR ORDER BY PIN WITHOUT WRITTEN CONSENT TO THE USE OF SUCH DRAWING AND/OR DATA.

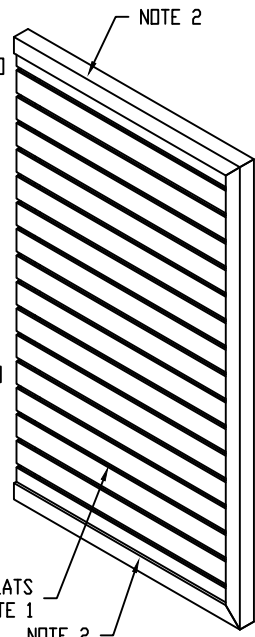
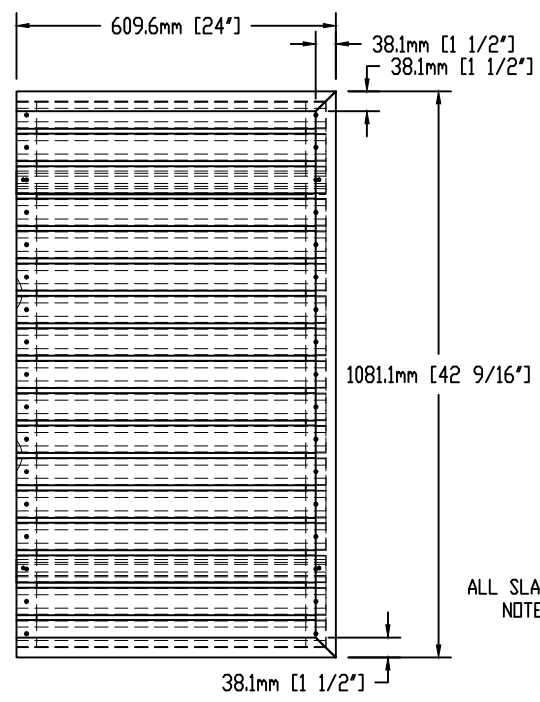
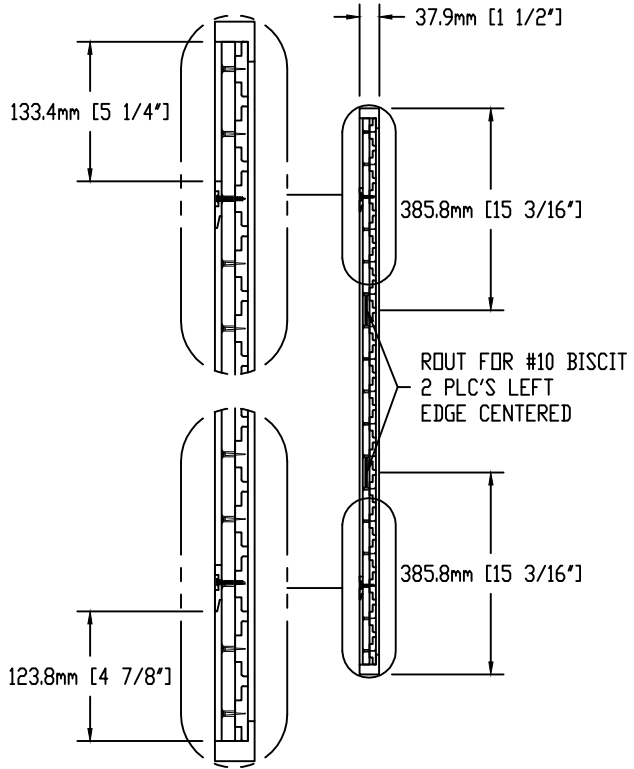
**NOTES:**

1. MATERIAL: POPLAR WOOD STAINED TO MATCH LIGHT SAMPLES FROM CLIENT.
2. MATERIAL: POPLAR WOOD STAINED TO MATCH MOCHA SUEDE.

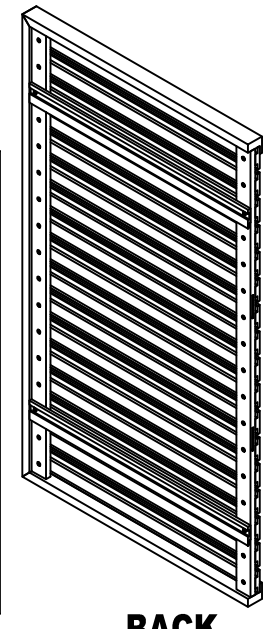
**NOTE:**

A MINIMUM of 5/8" REQUIRED ABOVE PANEL TO ENGAGE MOUNTING CLEAT


REV	DESCRIPTION	DATE	BY
-			



**FRONT VIEW**



**BACK VIEW**

WORK CENTERS	100											
EDGEBANDING SYMBOLS		◀ = .5mm PVC EDGE BAND	◆ = LAMINATE EDGE BAND	◀ = 1mm PVC EDGE BAND	◆ = VENEER EDGE BAND	◀ = 3mm PVC EDGE BAND	■ = WOOD EDGE BAND					
Phone 800.647.6PIN		www.pinsolutions.net		WORKCENTER	PROGRAM#	WORKCENTER	PROGRAM#	TITLE: 24" SLATWALL RIGHT SECTION LIGHT STAINED SLATS			DATE: 29MAR12	
 imagine it • design it • build it®		300				CUSTOMER: LA QUINTA			SCALE: N.T.S.			
		GENERATE NORMAL PROGRAM	X			QTY PER UNIT:			DRAWN BY: ERP			
		GEN. PROGRAM MIRRORED IN X	X	OPT. MODE FOR VER. DRILLING	2				PART No. 59023-R			
		GEN. PROGRAM MIRRORED IN Y	X	MOVEMENT MODE FOR								
GEN. PROG. MIRRORED IN X & Y	X	HORIZ. DRILLING	0									

THIS DRAWING (AND DATA THERE ON) IS CONFIDENTIAL AND PROPRIETARY AND SHALL NOT BE USED, DISCLOSED TO OTHERS, REPRODUCED FOR ANY PURPOSE EXCEPT FOR QUOTATION TO OR ORDER BY PIN WITHOUT WRITTEN CONSENT TO THE USE OF SUCH DRAWING AND/OR DATA.

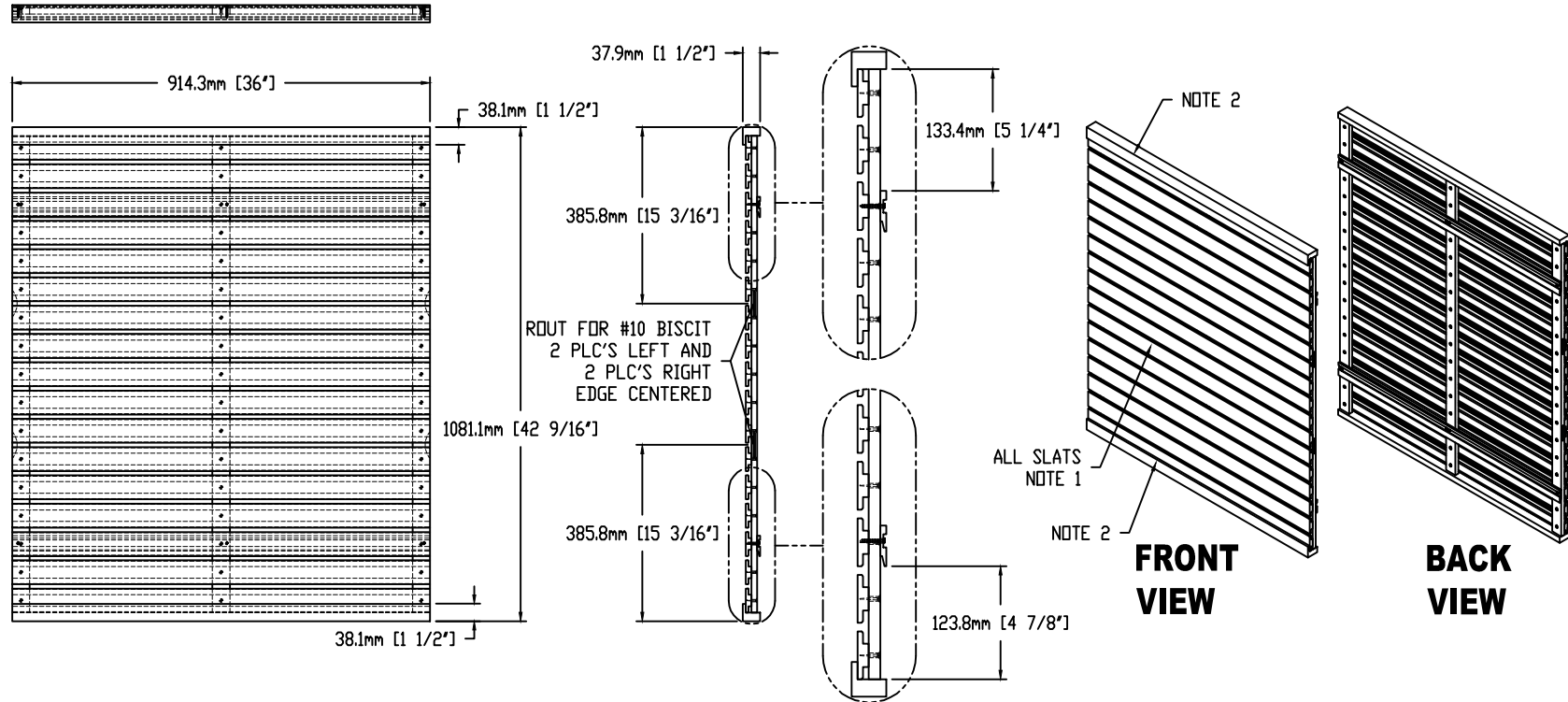
**NOTES:**


1. MATERIAL: POPLAR WOOD STAINED TO MATCH LIGHT SAMPLES FROM CLIENT.
2. MATERIAL: POPLAR WOOD STAINED TO MATCH MOCHA SUEDE.

REV	DESCRIPTION	DATE	BY
-			

**NOTE:**

A MINIMUM of 5/8" REQUIRED ABOVE PANEL TO ENGAGE MOUNTING CLEAT



WORK CENTERS	100											
EDGEBANDING SYMBOLS	◀ = .5mm PVC EDGE BAND	◆ = LAMINATE EDGE BAND	◀ = 1mm PVC EDGE BAND	◆ = VENEER EDGE BAND	◀ = 3mm PVC EDGE BAND	■ = WOOD EDGE BAND						
Phone 800.647.6PIN	www.pinsolutions.net	WORKCENTER	PROGRAM#	WORKCENTER	PROGRAM#	TITLE:	36" SLATWALL CENTER SECTION LIGHT STAINED SLATS		DATE:	29MAR12		
 <p>imagine it • design it • build it®</p>		GENERATE NORMAL PROGRAM	X			CUSTOMER:	LA QUINTA		SCALE:	N.T.S.		
		GEN. PROGRAM MIRRORED IN X	X	OPT. MODE FOR VER. DRILLING	2	QTY PER UNIT:	DRAWN BY:		PART No.			
		GEN. PROGRAM MIRRORED IN Y	X	MOVEMENT MODE FOR			ERP		59024-C			
		GEN. PROG. MIRRORED IN X & Y	X	HORZ. DRILLING	0							

THIS DRAWING (AND DATA THERE ON) IS CONFIDENTIAL AND PROPRIETARY AND SHALL NOT BE USED, DISCLOSED TO OTHERS, REPRODUCED FOR ANY PURPOSE EXCEPT FOR QUOTATION TO OR ORDER BY PIN WITHOUT WRITTEN CONSENT TO THE USE OF SUCH DRAWING AND/OR DATA.

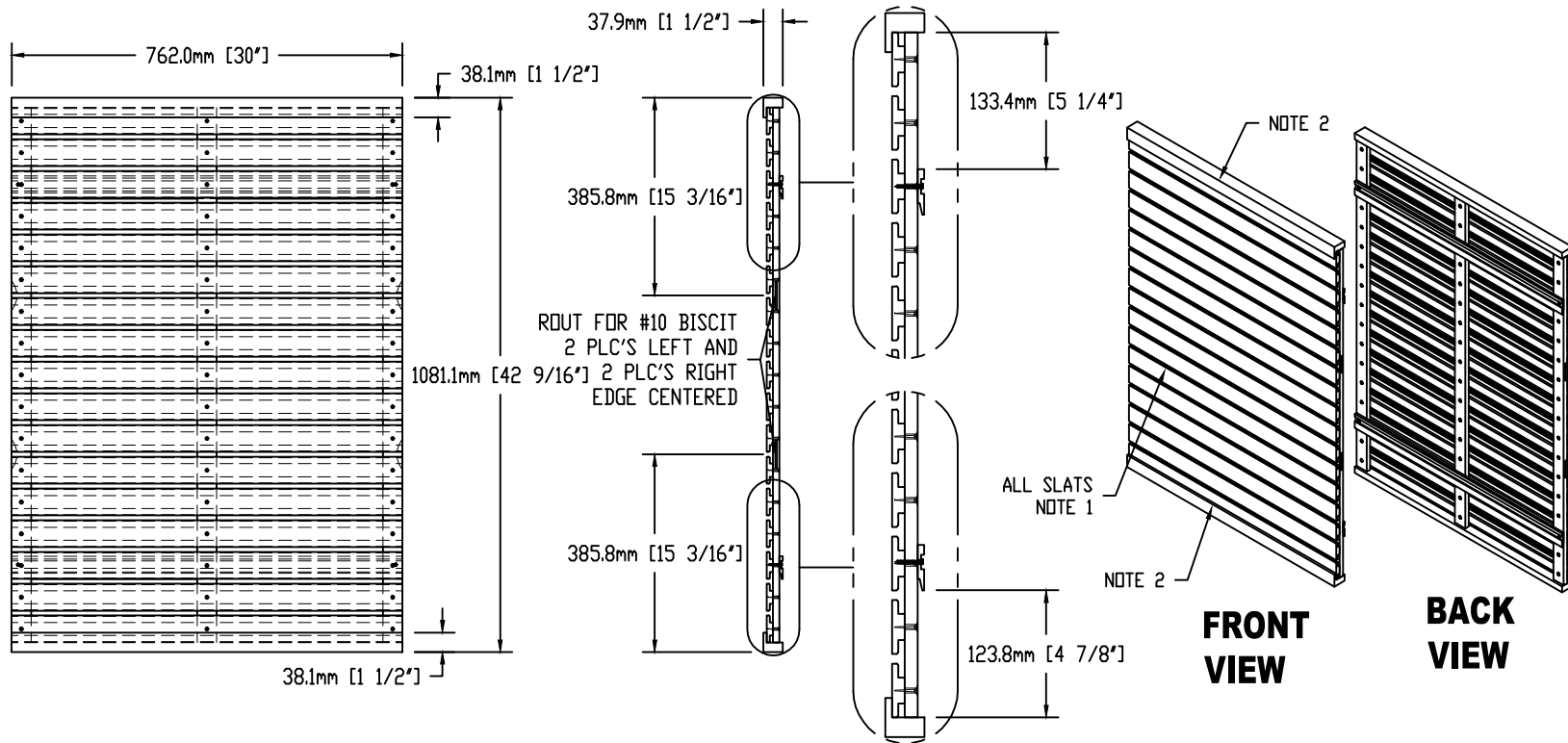
**NOTES:**


1. MATERIAL: POPLAR WOOD STAINED TO MATCH LIGHT SAMPLES FROM CLIENT.
2. MATERIAL: POPLAR WOOD STAINED TO MATCH MOCHA SUEDE.

REV	DESCRIPTION	DATE	BY
-			



NOTE:  
A MINIMUM of 5/8" REQUIRED ABOVE  
PANEL TO ENGAGE MOUNTING CLEAT



WORK CENTERS	100										
EDGEBANDING SYMBOLS	◀ = .5mm PVC EDGE BAND	◆ = LAMINATE EDGE BAND	◀ = 1mm PVC EDGE BAND	◆ = VENEER EDGE BAND	◀ = 3mm PVC EDGE BAND	■ = WOOD EDGE BAND					
Phone 800.647.6PIN	www.pinsolutions.net	WORKCENTER	PROGRAM#	WORKCENTER	PROGRAM#	TITLE:	30" SLATWALL CENTER SECTION LIGHT STAINED SLATS	DATE:	29MAR12		
 imagine it • design it • build it®		GENERATE NORMAL PROGRAM	X			CUSTOMER:	LA QUINTA	SCALE:	N.T.S.		
		GEN. PROGRAM MIRRORRED IN X	X	OPT. MODE FOR VER. DRILLING	2	QTY PER UNIT:		DRAWN BY:	ERP		
		GEN. PROGRAM MIRRORRED IN Y	X	MOVEMENT MODE FOR				PART No.	59025-C		
		GEN. PROG. MIRRORRED IN X & Y	X	HORZ. DRILLING		0					

THIS DRAWING (AND DATA THERE ON) IS CONFIDENTIAL AND PROPRIETARY AND SHALL NOT BE USED, DISCLOSED TO OTHERS, REPRODUCED FOR ANY PURPOSE EXCEPT FOR QUOTATION TO OR ORDER BY PIN WITHOUT WRITTEN CONSENT TO THE USE OF SUCH DRAWING AND/OR DATA.

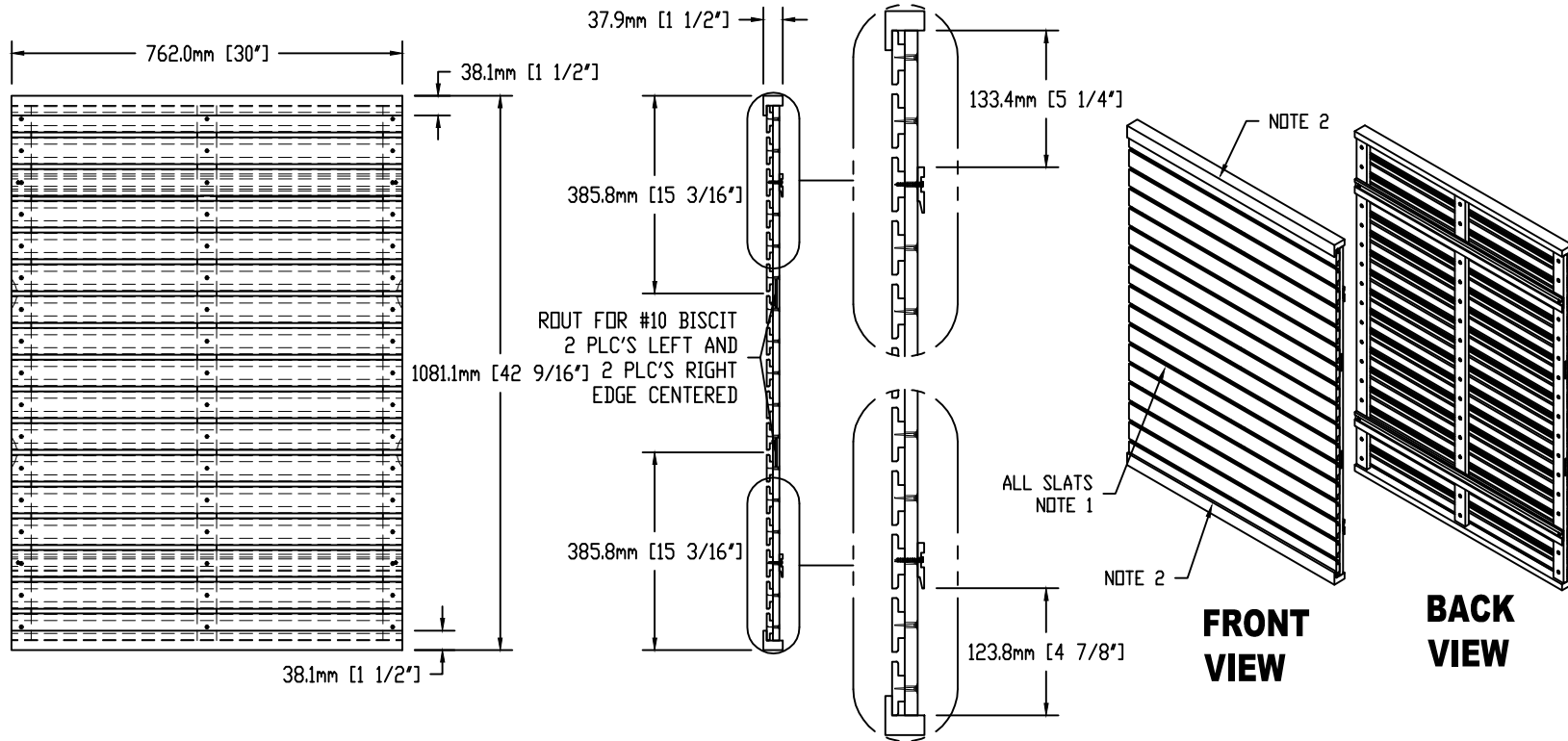
**NOTES:**


1. MATERIAL: POPLAR WOOD STAINED TO MATCH MEDIUM SAMPLES FROM CLIENT.
2. MATERIAL: POPLAR WOOD STAINED TO MATCH MOCHA SUEDE.

REV	DESCRIPTION	DATE	BY
-			



NOTE:  
A MINIMUM of 5/8" REQUIRED ABOVE  
PANEL TO ENGAGE MOUNTING CLEAT



WORK CENTERS	100										
EDGEBANDING SYMBOLS	◀ = .5mm PVC EDGE BAND	◆ = LAMINATE EDGE BAND	◀ = 1mm PVC EDGE BAND	◆ = VENEER EDGE BAND	◀ = 3mm PVC EDGE BAND	■ = WOOD EDGE BAND					
Phone 800.647.6PIN	www.pinsolutions.net	WORKCENTER	PROGRAM#	WORKCENTER	PROGRAM#	TITLE:	30" SLATWALL CENTER SECTION MEDIUM STAINED SLATS	DATE:	29MAR12		
 imagine it • design it • build it®		GENERATE NORMAL PROGRAM	X			CUSTOMER:	LA QUINTA	SCALE:	N.T.S.		
		GEN. PROGRAM MIRRORRED IN X	X	OPT. MODE FOR VER. DRILLING	2	QTY PER UNIT:		DRAWN BY:	ERP	PART No.	59026-C
		GEN. PROGRAM MIRRORRED IN Y	X	MOVEMENT MODE FOR							
		GEN. PROG. MIRRORRED IN X & Y	X	HORZ. DRILLING		0					

THIS DRAWING (AND DATA THERE ON) IS CONFIDENTIAL AND PROPRIETARY AND SHALL NOT BE USED, DISCLOSED TO OTHERS, REPRODUCED FOR ANY PURPOSE EXCEPT FOR QUOTATION TO OR ORDER BY PIN WITHOUT WRITTEN CONSENT TO THE USE OF SUCH DRAWING AND/OR DATA.

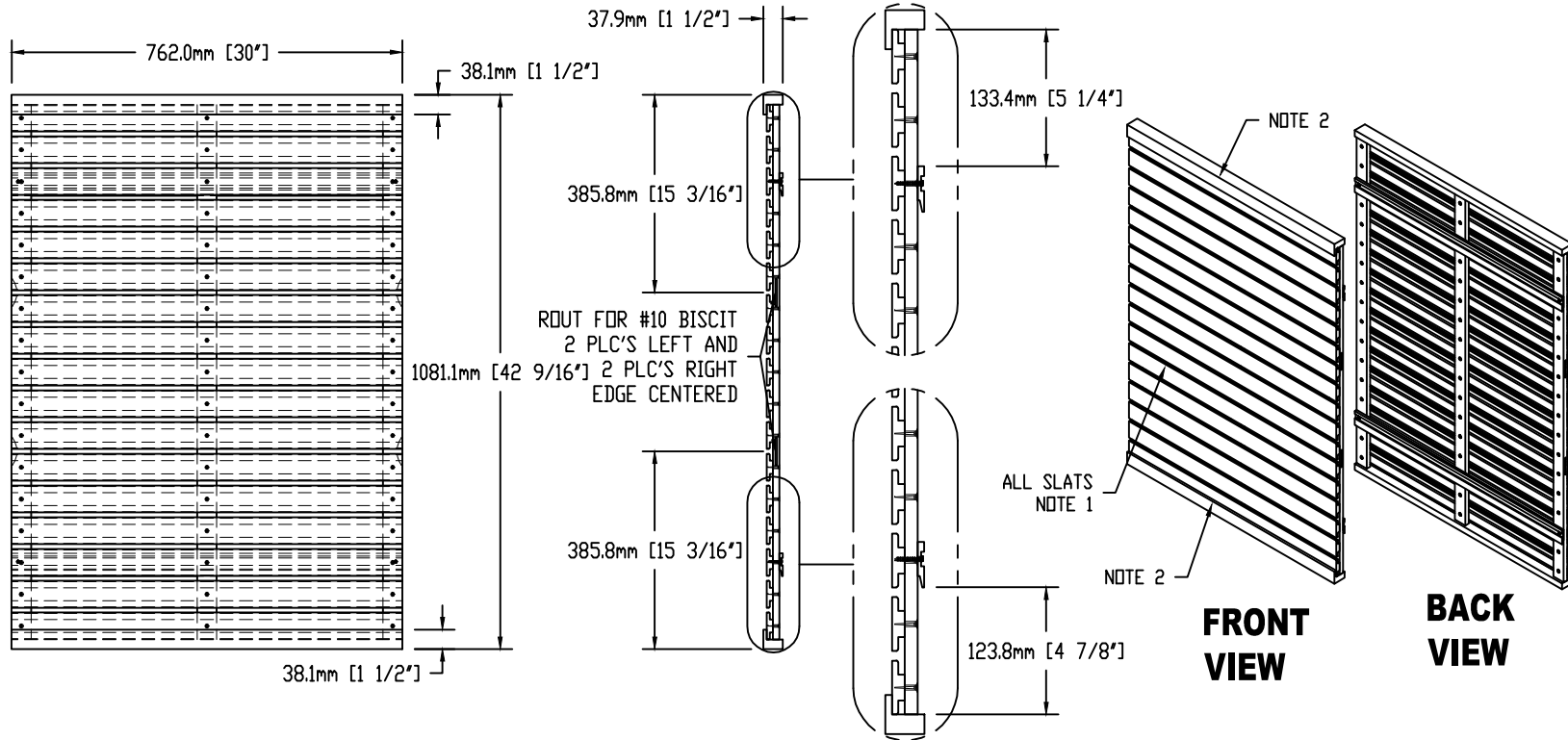
**NOTES:**

1. MATERIAL: POPLAR WOOD LAMINATED TO MATCH WILSONART SATIN STAINLESS 1 SIDE BACKER 1 SIDE.
2. MATERIAL: POPLAR WOOD STAINED TO MATCH MOCHA SUEDE.

REV	DESCRIPTION	DATE	BY
-			



NOTE:  
A MINIMUM of 5/8" REQUIRED ABOVE  
PANEL TO ENGAGE MOUNTING CLEAT



WORK CENTERS	100												
EDGEBANDING SYMBOLS		◀ = .5mm PVC EDGE BAND	◆ = LAMINATE EDGE BAND	◀ = IMM PVC EDGE BAND	◀ = VENEER EDGE BAND	◀ = 3mm PVC EDGE BAND	■ = WOOD EDGE BAND						
Phone 800.647.6PIN	www.pinsolutions.net	WORKCENTER	PROGRAM#	WORKCENTER	PROGRAM#	TITLE: 30" SLATWALL CENTER SECTION LAMINATED SLATS			DATE: 29MAR12				
<p>imagine it • design it • build it®</p>		300				CUSTOMER: LA QUINTA			SCALE: N.T.S.				
		GENERATE NORMAL PROGRAM	X			QTY PER UNIT:			DRAWN BY: ERP				
		GEN. PROGRAM MIRRORRED IN X	X	OPT. MODE FOR VER. DRILLING	2				PART No. 59027-C				
		GEN. PROGRAM MIRRORRED IN Y	X	MOVEMENT MODE FOR									
		GEN. PROG. MIRRORRED IN X & Y	X	HORZ. DRILLING	0								