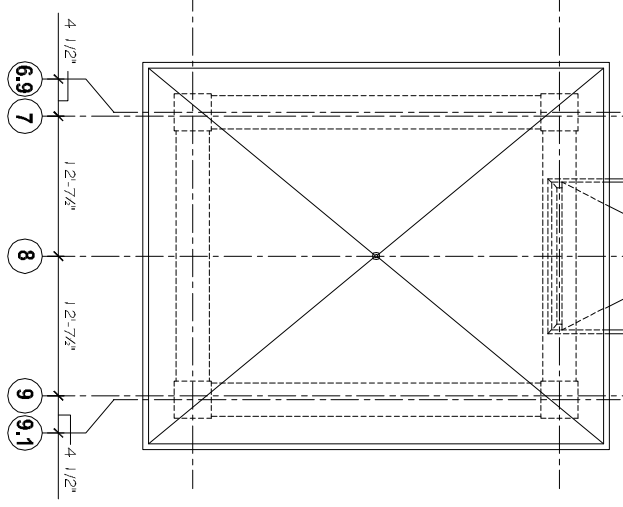


THIRD FLOOR PLAN-SCHEME "B"
SCALE: 1/8" = 1'-0"
32 GUEST ROOMS



PRELIMINARY (NOT FOR CONSTRUCTION)

<p>THIRD FLOOR PLAN SCHEME "B"</p> <p style="font-size: 2em; font-weight: bold;">A3</p>	<p>REVISIONS</p> <table border="1" style="width: 100%; border-collapse: collapse;"> <thead> <tr> <th>#</th> <th>DESCRIPTION</th> <th>DATE</th> </tr> </thead> <tbody> <tr><td> </td><td> </td><td> </td></tr> <tr><td> </td><td> </td><td> </td></tr> <tr><td> </td><td> </td><td> </td></tr> <tr><td> </td><td> </td><td> </td></tr> <tr><td> </td><td> </td><td> </td></tr> </tbody> </table>	#	DESCRIPTION	DATE																<p>LAQUINTA INNS & SUITES</p> <p>HATTESBURG, MISSISSIPPI</p> <table border="1" style="width: 100%; border-collapse: collapse;"> <tr> <td style="width: 50%;">2158</td> <td style="width: 50%;">12-20-2012</td> </tr> <tr> <td>JTL</td> <td> </td> </tr> </table>	2158	12-20-2012	JTL		<p>DAMMON ENGINEERING, INC.</p> <p>CHIEF ENGINEER: EMMETT DAMMON, P.E. 554 OLD SPANISH TRAIL SUDELL, LA 70458</p> <p style="font-size: 0.8em;">dammonengineering.com dammoneng@bellsouth.net PHONE: 985-649-5832 FAX: 985-641-5950</p>
#	DESCRIPTION	DATE																							
2158	12-20-2012																								
JTL																									