

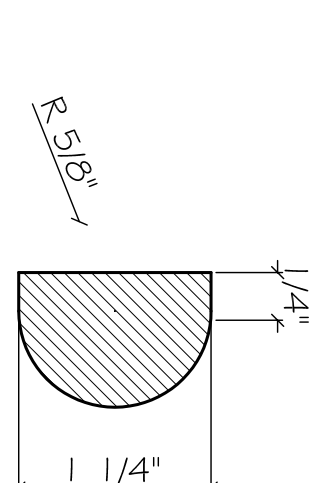
# FINISHES

PRODUCT CODE	MANUFACTURER	PRODUCT INFORMATION / #
CP-1	AQUA HOSPITALITY	AVALAR, 100% SD NNON
CP-1a	HARTEX CONTRACT	SYNTHETIC FIBER 32 OZ.
CPB-1	AQUA HOSPITALITY	AVALAR, 100% SD NNON
CP-2	DURKAN HOSPITALITY	#5 10866 COLORSHIELD CUT 40
CPB-2	DURKAN HOSPITALITY	7A3 COLORSHIELD
CP-3	DURKAN HOSPITALITY	#5 10842 COLORSHIELD CUT 41
CP-4	DURKAN HOSPITALITY	#5 10842 COLORSHIELD CUT 42
CP-5	DURKAN HOSPITALITY	#5 10842 COLORSHIELD CUT 43
CP-6	DURKAN HOSPITALITY	ENHANCE LOOP GRAPHICS #5004 1/2167 COLORS: A1 A901 B1 6050
CP-6a	SPONGE CUSHION, INC.	TRED MOR 2590
CPB-4	DURKAN HOSPITALITY	#41-22455, 1/2 WIDE, ACTIONBAC, BECC, DYED SOLID, CUT IN 4" BASE
CP-7	DURKAN HOSPITALITY	#5 10844 COLORSHIELD CUT 40
CP-8	DURKAN HOSPITALITY	4 K 6 MILLED WINE COLORSHIELD CUT 40
CPB-3	DURKAN HOSPITALITY	4 K 6 MILLED WINE COLORSHIELD
CT-10	DAITILE	VERANDA P527 DUNE, 6" x 13"
CTB-2	DAITILE	VERANDA P503 ZINC, 6-1/2" x 20"
CT-12	DAITILE	FABRIQUE SOULE LINEN P687, 12" x 24"
CT-15	DAITILE	SEMI-GLOSS ALMOND K1 65, 3" x 6"
CT-16	DAITILE	SEMI-GLOSS ALMOND 5-4269, 2" x 6"
CT-17	DAITILE	SEMI-GLOSS ALMOND A-3401, 4-1/2" x 4-1/2"
CTB-1	DAITILE	VERANDA P527 DUNE, 13" x 13"
CT-18	DAITILE	FABRIQUE SOULE LINEN P687, 24" x 24"
CT-19	DAITILE	NEW TAPE #185, SANDED
CT-10	CUSTOM BUILDING PRODUCTS	LINE # 122, NON-SANDED
CT-11	CUSTOM BUILDING PRODUCTS	W/31 IE, WILD CHERRY, 6" x 36, GUESTROOM ENTRY AND GUEST BATH AND ELEVATOR CAB
VT-1	AMTICO	
RB-01	JOHNSONITE	130 915AL, ENTRY AND GUEST BATH
VCT-1	ARWISTRONG	51929, SANDY BEACH, 12" x 12"
PC-1	SHERWIN WILLIAMS	EPOXY PAINT GREY
VB-02	JOHNSONITE	SILK, 113129-436, 4-1/2"
WM-01	PACIFIC MAT CO.	DAK BROWN QUILT T1FT II
PT-1	SHERWIN WILLIAMS	BMHC-93 CARRINGTON BEIGE, EGGSHELL, SW CUSTOM COLOR, PAINT ON KNOCKDOWN
PT-2	SHERWIN WILLIAMS	BM 01-2091-10, EGGSHELL, SW CUSTOM COLOR, GUESTROOM BAND AT CEILING, PAINT ON KNOCKDOWN
PT-3	SHERWIN WILLIAMS	BM 1-06 WHITE DOVE, FLAT (GUESTROOM), SEMI-GLOSS BATH, SW CUSTOM COLOR, PAINT ON KNOCKDOWN
PT-4	SHERWIN WILLIAMS	SW 6142 MACADAMIA, SEMI-GLOSS, ENTRY DOOR, BATH DOOR, AND FRAMING
PT-5	SHERWIN WILLIAMS	SW 6120, BELIEVABLE BUFF, SEMI-GLOSS, GUEST BATH TOP STRIPE, PAINT ON KNOCKDOWN
PT-6	SHERWIN WILLIAMS	SW 6119, ANTIQUE WHITE, SEMI-GLOSS, GUEST BATH BOTTOM STRIPE, PAINT ON KNOCKDOWN
PT-10	SHERWIN WILLIAMS	BM 2152-50, GOLDEN STRAW, EGGSHELL, SW CUSTOM COLOR, PAINT ON KNOCKDOWN
PT-11	SHERWIN WILLIAMS	BM 2152-60, MANNING CREAM, EGGSHELL, SW CUSTOM COLOR, PAINT ON KNOCKDOWN
PT-12	SHERWIN WILLIAMS	BM 2159-40, AMBER WAVES, EGGSHELL, SW CUSTOM COLOR, BACK WALL OF NICHE, PAINT ON KNOCKDOWN
PT-13	SHERWIN WILLIAMS	BM 2157-20, GOLDEN HARVEST, EGGSHELL, SW CUSTOM COLOR, REGISTRATION DESK, PAINT ON KNOCKDOWN
PT-14	SHERWIN WILLIAMS	BM 2111-30, MUSTANG, SATIN, SW CUSTOM COLOR, LOBBY DOOR AND WINDOW TRIM, COLUMN, BASE AND CROWN
PT-15	SHERWIN WILLIAMS	BM 2109, MUSTANG, SEMI-GLOSS, SW CUSTOM COLOR, CORRIDOR AND ELEVATOR DOOR TRIM
PT-16	SHERWIN WILLIAMS	BM 2020-50, MELLOW YELLOW, EGGSHELL, SW CUSTOM COLOR, PAINT ON KNOCKDOWN
PT-17	SHERWIN WILLIAMS	BM 2161-30, DARK MUSTARD, SEMI-GLOSS, SW CUSTOM COLOR, ALL DOORS
PT-19	SHERWIN WILLIAMS	BROOM BEIGE, FLAT, SW CUSTOM COLOR, PAINT ON KNOCKDOWN, NICHE SURROUNDS, VERTICAL BROOM FINISH NEUTRAL COLORED DUROFLEX (OR MOW OR EQUAL TEXTURED, THROUGH COLOR, ACRYLIC COATING FINISH)
WC-1	MDC	CUSTOM MDC BETA 5529
WC-2	MDC	CUSTOM MDC BETA 5452
WC-3	MDC	CUSTOM MDC DELTA 0006
WC-4	MAHARAJA	PRISM 398920, AMBER 006
PL-1	WILSONART	CASTLE OAK, 7928-36, MATTE, REGISTRATION DESK AND NICHE
PL-2	FORMICA VENEER	#V9455 INDIAN EBONY, WAX, SHELVES
CG-10	IPC	WHENT FIELD #0285
TS-01	JOHNSONITE	EG-47-M, BROWN, 2-1/8" W
ST-10	DALTILE	GOLDEN LEAF G293, POLISHED, FRONT DESK, BREAKFAST AREA, AND PUBLIC RESTROOM VANITY
ACT-01	ARWISTRONG	REGULAR GRID WITH FIGURED CEILING TILE, 2' x 2'

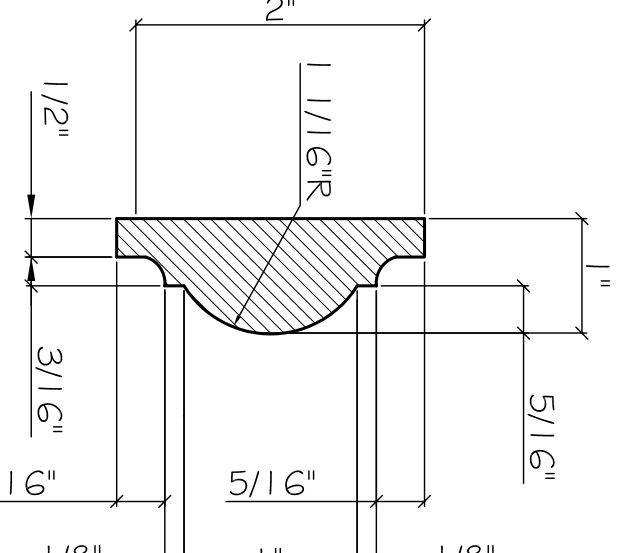
# ROOM FINISH SCHEDULE

ROOM NAME	FLOOR	BASE	WALL	CEILING	DOORS / FRAMES	MILLWORK	REMARKS
STANDARD GUESTROOM	CP-1 / CP-1a / VT-1	CPB-1 / RB-1	PT-1 / PT-1	PT-3	PT-4	.	.
ACCESSIBLE GUESTROOM	CP-1 / VT-1	CPB-1 / RB-1	PT-1 / PT-1	PT-3	PT-4	.	.
GUESTROOM BATH	VT-1	RB-01	PT-5 / PT-6	PT-3	PT-4	.	.
ENTRY VESTIBULE	CT-10 / WM-01	CTB-2	PT-10	PT-11	PT-17 / PT-14	.	.
LUGGAGE CARTS	CT-10	CTB-2	PT-10	PT-11	PT-17 / PT-14	.	.
LUGGAGE	CT-10	CTB-2	PT-10	PT-11	PT-17 / PT-14	.	.
LOBBY	CT-10 / CT-12 / CT-19	CTB-2	PT-10	PT-11	PT-17 / PT-14	.	.
REGISTRATION DESK	CT-10 / CP-6 / CP-6a	CTB-2	PT-13	PT-11	PT-17 / PT-15	A803 / A804	SEE DRAWINGS
WORKROOM	CP-6 / CP-6a	CPB-4	PT-10	ACT-01	PT-17 / PT-14	.	.
GENERAL MANAGER	CP-6 / CP-6a	CPB-4	PT-10	ACT-01	PT-17 / PT-15	.	.
SALES OFFICE	CP-6 / CP-6a	CPB-4	PT-10	ACT-01	PT-17 / PT-15	.	.
TELEPHONE / VIDEO	PC-1	VB-2	PT-10	ACT-01	PT-17 / PT-15	.	.
BREAK ROOM	VCT-1	VB-2	PT-10	ACT-01	PT-17 / PT-15	.	.
LAUNDRY	PC-1	VB-2	PT-10	PT-11	PT-17 / PT-15	.	.
EMPLOYEE TOILET	PC-1	VB-2	PT-10	PT-11	PT-17 / PT-15	.	.
ELEVATOR EQUIP.	PC-1	VB-2	PT-10	PT-11	PT-17 / PT-15	.	.
SUNDRY SHOP	CT-10	CTB-2	PT-10	PT-11	.	.	.
BUSINESS CENTER	CT-10	CTB-2	PT-10	PT-11	PT-17 / PT-14	.	.
FITNESS ROOM	CP-6 / CP-6a	CPB-4	PT-16 / WC-3	ACT-01	PT-17 / PT-15	.	.
GUEST LAUNDRY - 4th FLR.	CT-10	CTB-2	WC-2	PT-11	PT-17 / PT-15	.	.
MECHANICAL / ELECTRICAL	PC-1	VB-02	PT-10	PT-11	PT-17 / PT-15	.	.
MENS RESTROOM	CT-10	CTB-1	CT-16 / CT-17	PT-11	PT-17 / PT-15	A413	SEE DRAWINGS
WOMENS RESTROOM	CT-10	CTB-1	CT-16 / CT-17	PT-11	PT-17 / PT-15	A413	SEE DRAWINGS
MEETING ROOM	CP-7 / CP-8	CPB-3	WC-1	PT-11	PT-17 / PT-17	.	.
BREAKFAST AREA	CP-6 / CP-6a / CT-10	CPB-4 / CTB-2	PT-10	PT-11	PT-17 / PT-15	A805 / A806	SEE DRAWINGS
PANTRY	CT-18	CTB-2	PT-10	ACT-01	PT-17 / PT-14	.	.
JANITOR	CT-18	CTB-2	PT-10	PT-11	PT-17 / PT-15	.	.
CORRIDOR	CP-2 / CP-3 / CP-4 / CP-5	CPB-2	WC-2	PT-11 / ACT-01	PT-17 / PT-17	.	.
STORAGE	PC-1	VB-02	PT-10	ACT-02	PT-17 / PT-14	.	.
STAIR #1 (LOBBY)	CP-1	CPB-1	PT-10	PT-11	PT-17 / PT-15	.	.
STAIR #2 (GUEST CORR.)	CP-1	CPB-1	PT-10	PT-11	PT-17 / PT-15	.	.
2nd, 3rd & 4th FLOORS	CT-10	CTB-10	WC-2	PT-11	PT-17 / PT-15	.	.
2nd, 3rd & 4th FLOORS	PC-1	VB-02	PT-10	PT-11	PT-17 / PT-15	.	.
ELEVATOR CABS	CT-2 / CP-3 / CP-4 / CP-5	CPB-2	WC-2	PT-11 / ACT-01	PT-17 / PT-17	.	.
	VT-1				PT-15	.	.

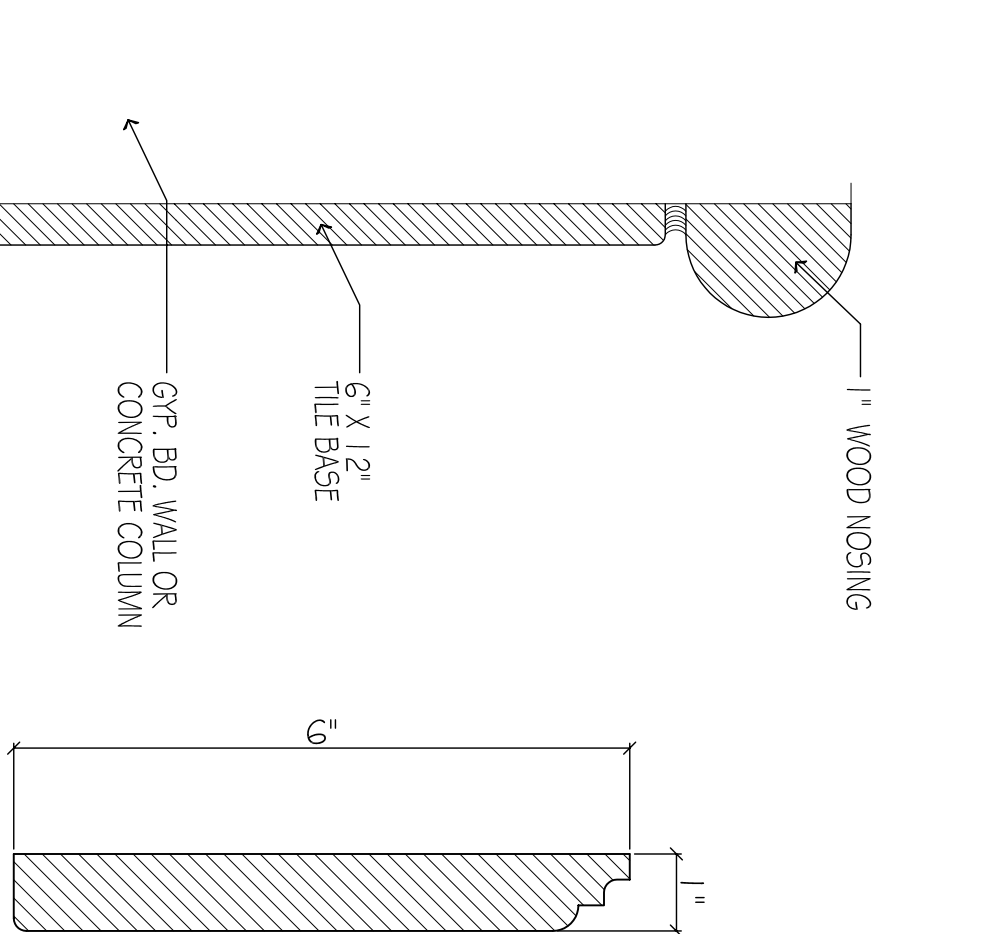
THE SYMBOL \* INDICATES ROOMS TO RECEIVE ROOM IDENTIFICATION SIGNAGE OUTSIDE EACH DOOR TO ROOM.  
MOUNT SIGN @ 60" A.F.F. AND 8" FROM OUTSIDE EDGE OF DOOR FRAME.



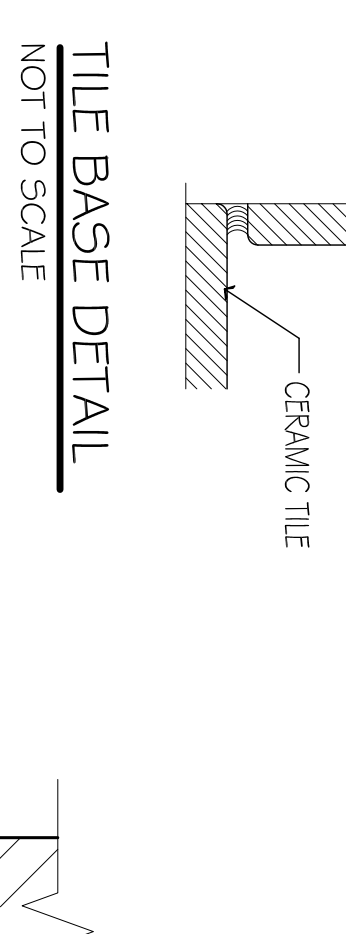
WOOD MOLDING DETAIL  
NOT TO SCALE



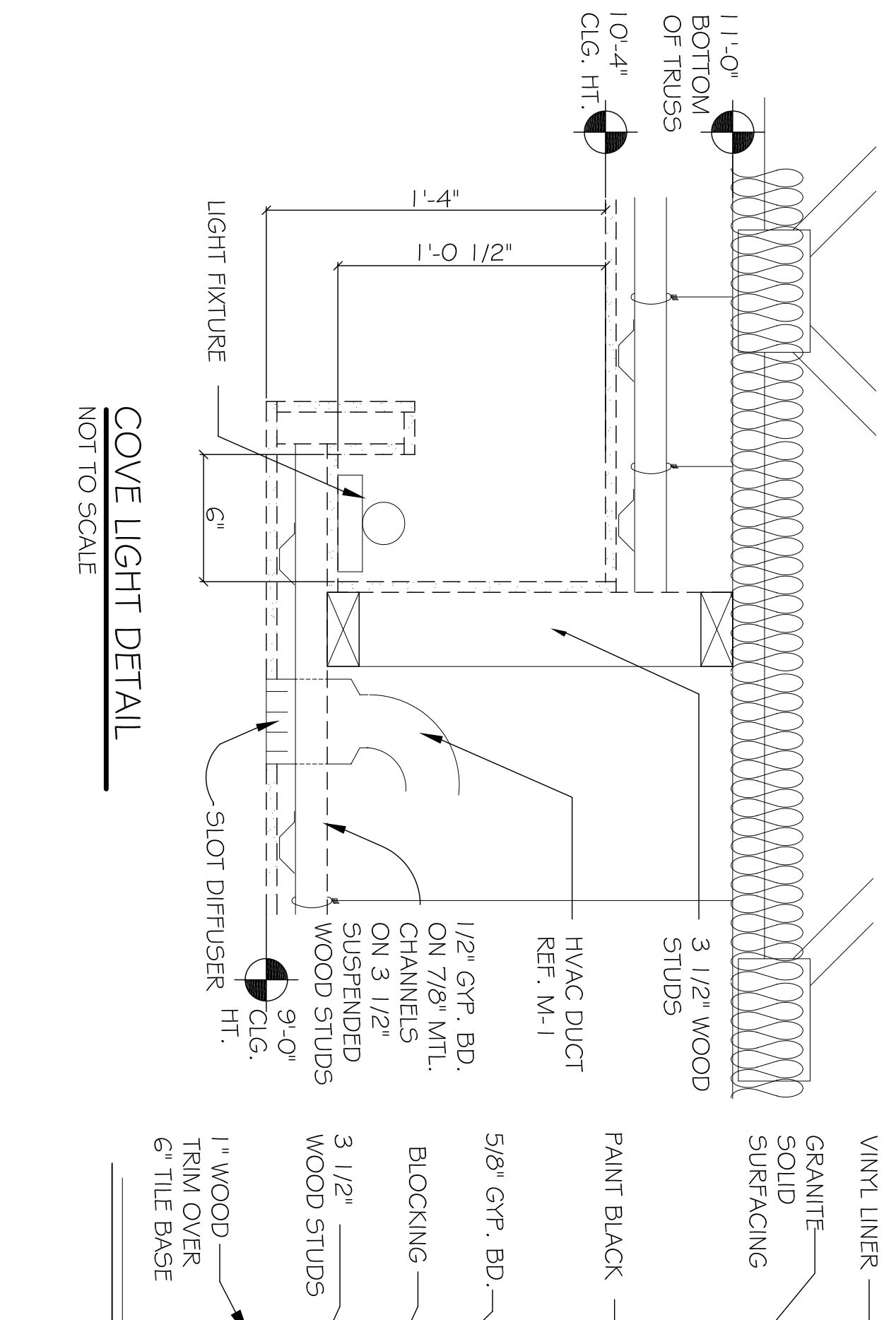
WOOD CHAIR RAIL DETAIL  
NOT TO SCALE



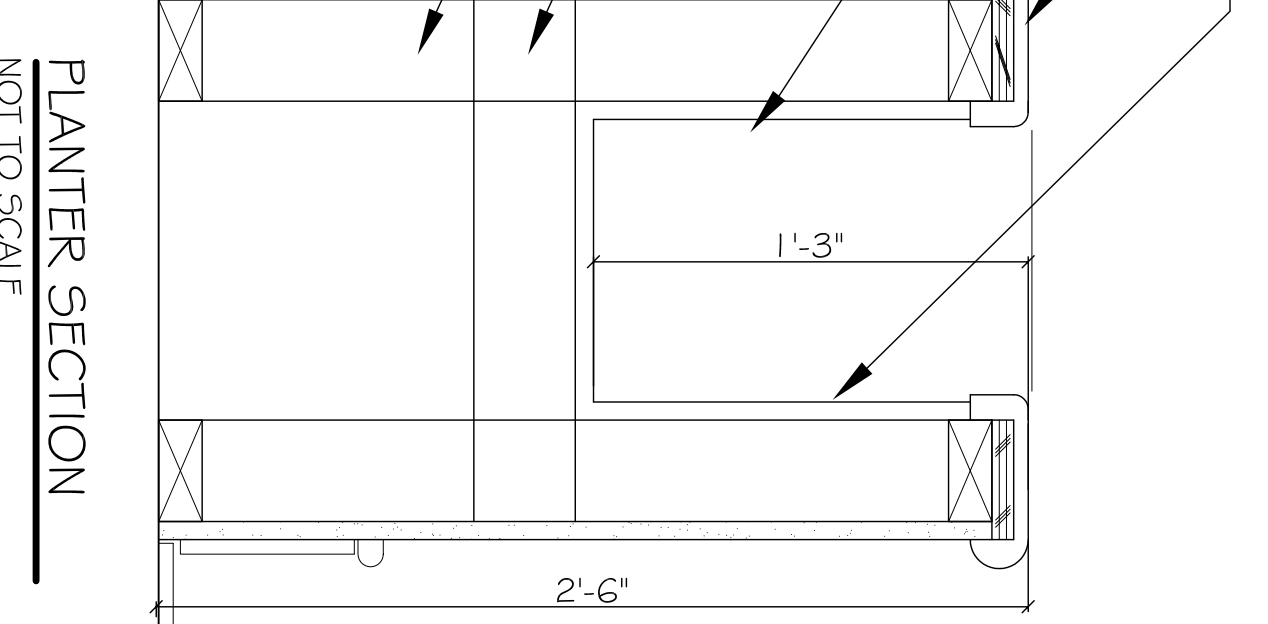
WOOD BASE DETAIL  
NOT TO SCALE



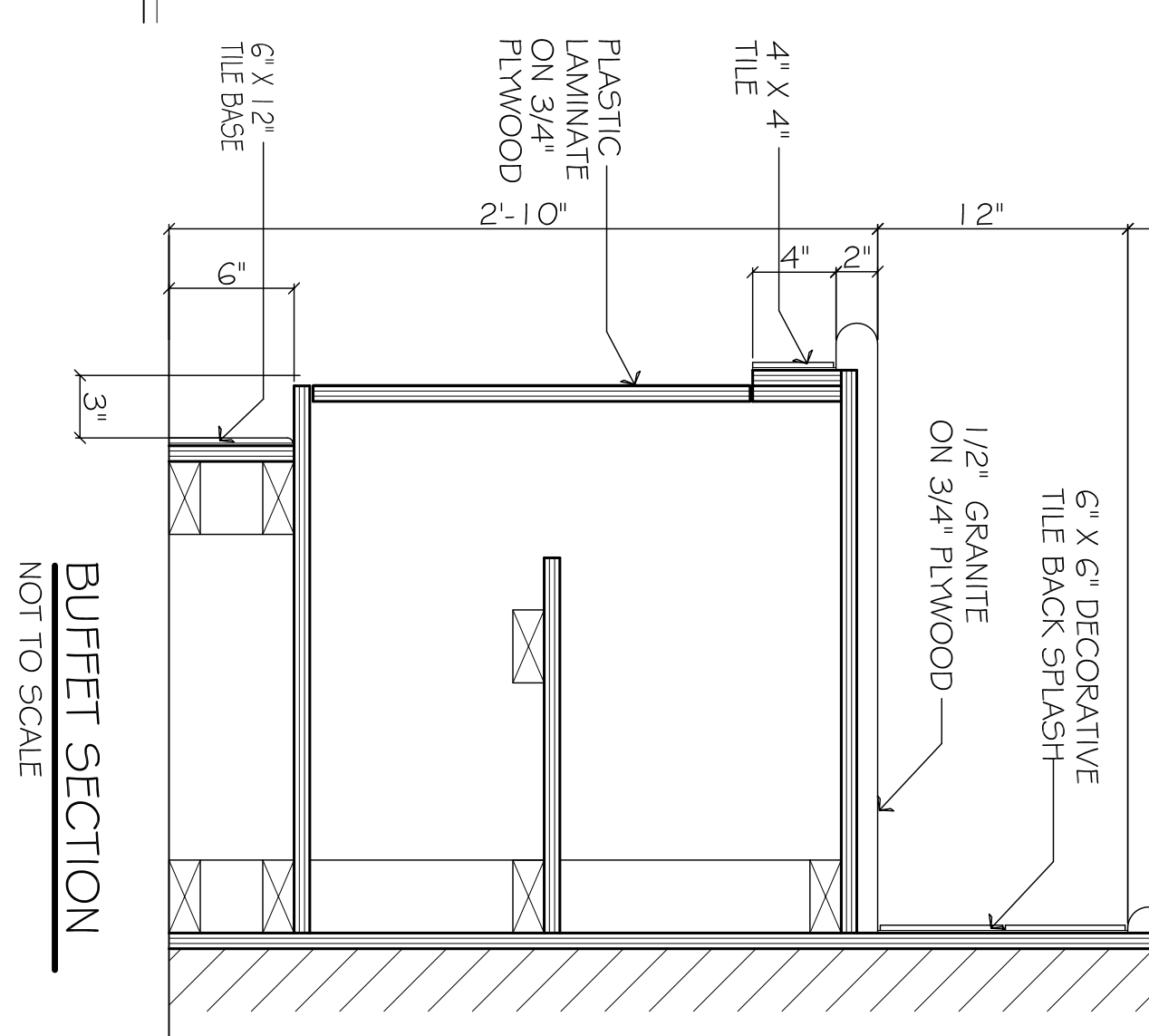
TILE BASE DETAIL  
NOT TO SCALE



COVER LIGHT DETAIL  
NOT TO SCALE



PLANTER SECTION  
NOT TO SCALE



BUFFET SECTION  
NOT TO SCALE

**DAMMON ENGINEERING, INC.**  
Architects & Engineers

Chief Engineer: BRIAN MISTICH, P.E.  
Chief Architect: KEVIN KINCHEN  
554 OLD SPANISH TRAIL  
SLIDELL, LA 70456

dammonengineering.com  
dammoning@bellsouth.net  
PHONE: 985-649-5832  
FAX: 985-641-5950

**LAQUINTA INNS & SUITES**

507 CONSTITUTION DRIVE  
WEST MONROE, LOUISIANA 71292

JOB No: 2196 DATE: 04-15-2014  
DRAWN BY: JTL CHECKED BY: CKD

FINISH SCHEDULES & MISC. DETAILS

SHEET No: 26 OF 53

**A18**