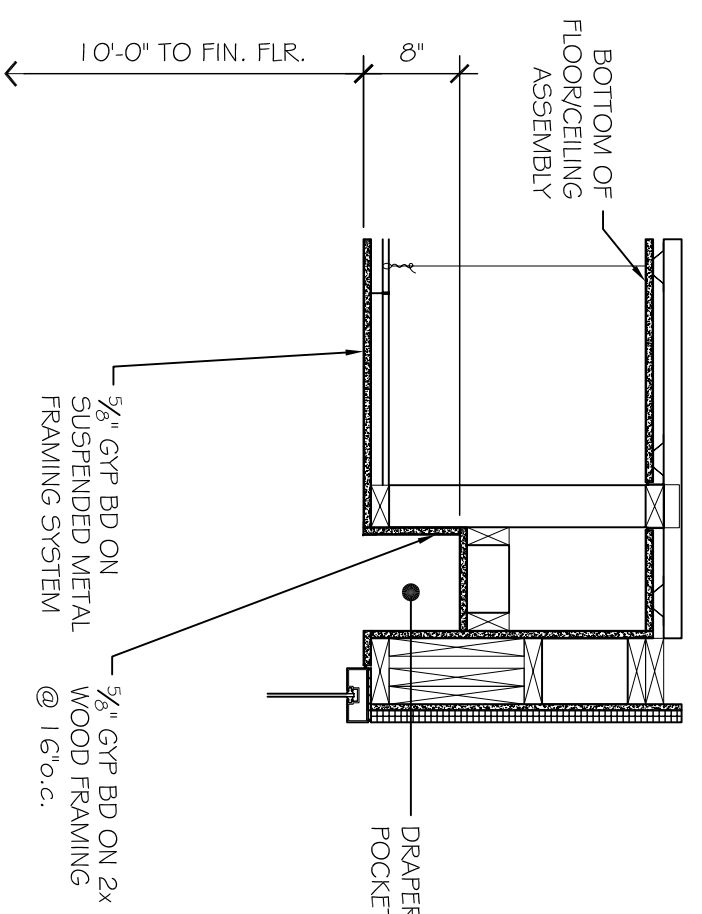
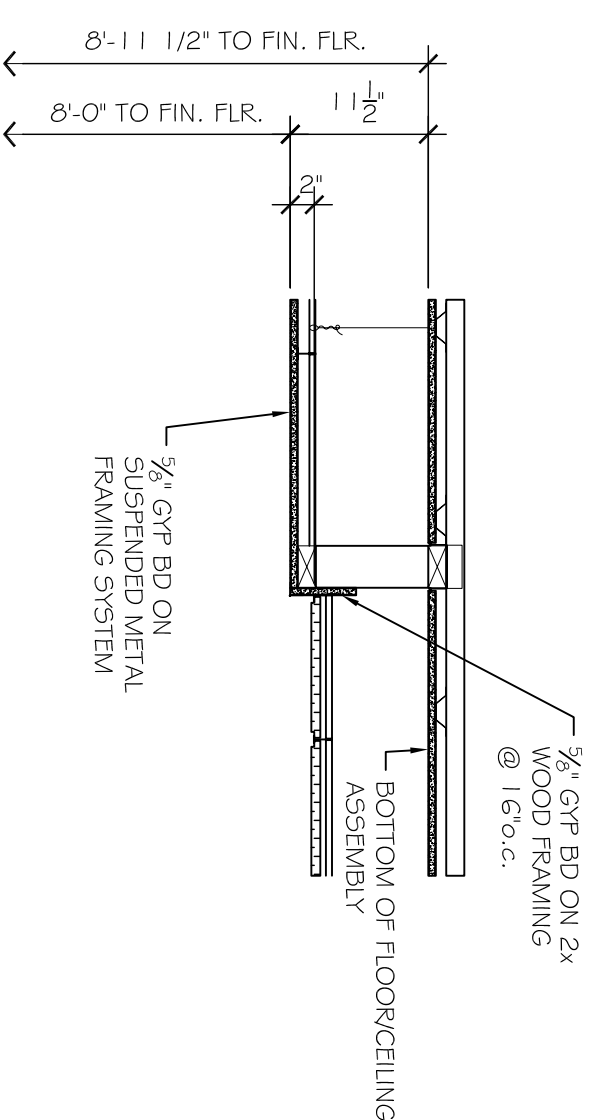
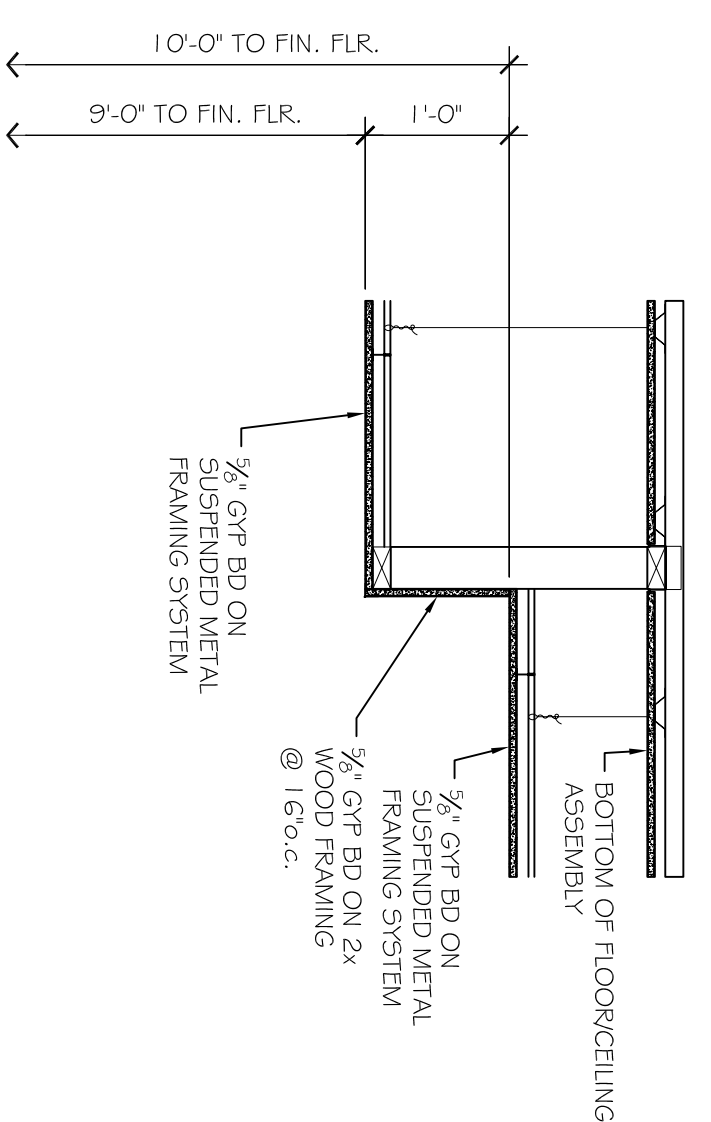
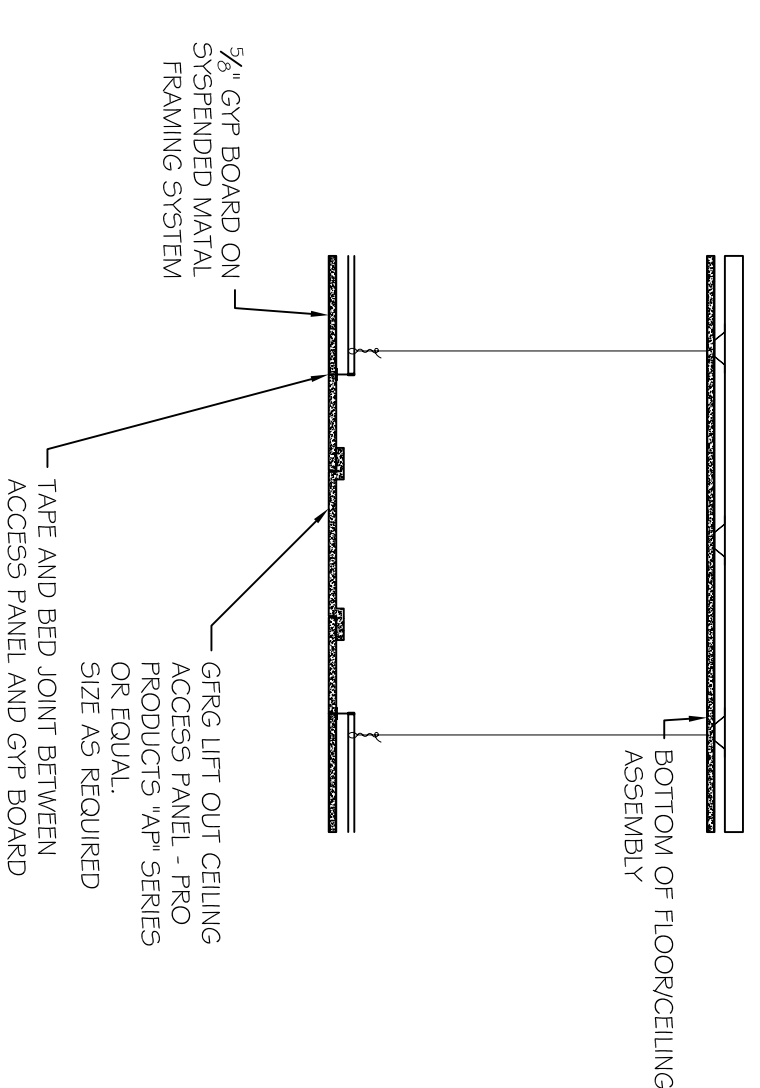
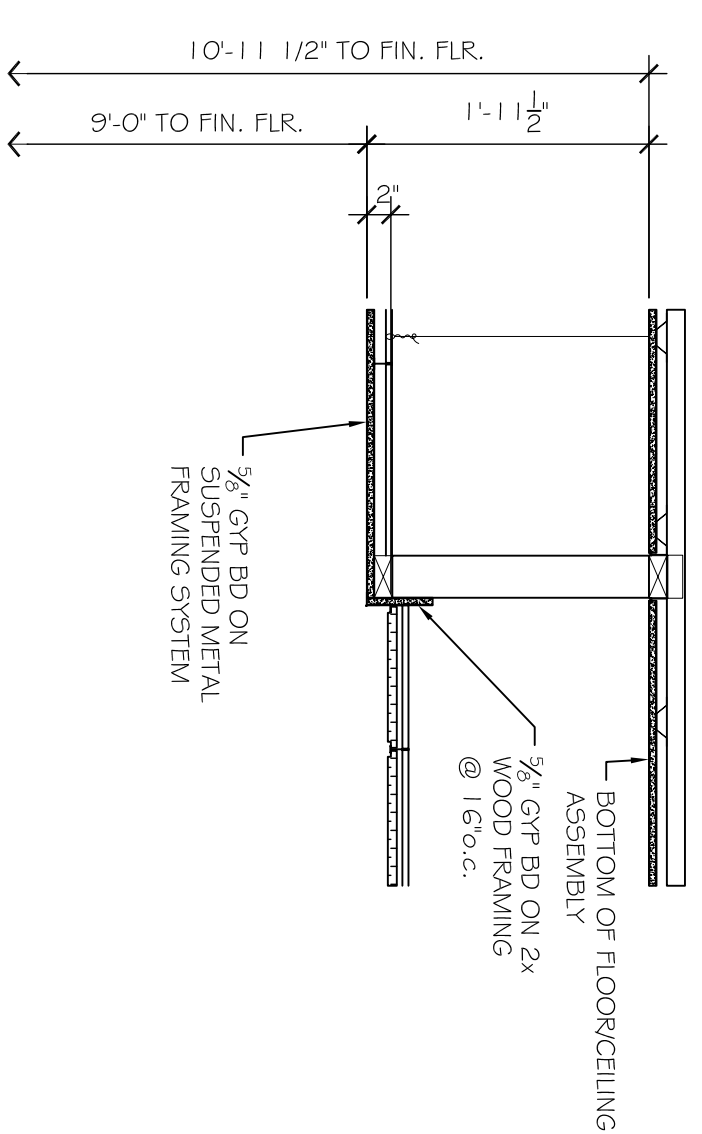


NOTE: SEE SHEET S-1 FOUNDATION
PLAN FOR DETAIL #1.



2 CEILING DETAIL @ BREAKFAST

SCALE: 3/4" = 1'-0"

5 CEILING DETAIL @ CORRIDOR UPPER LEVELS

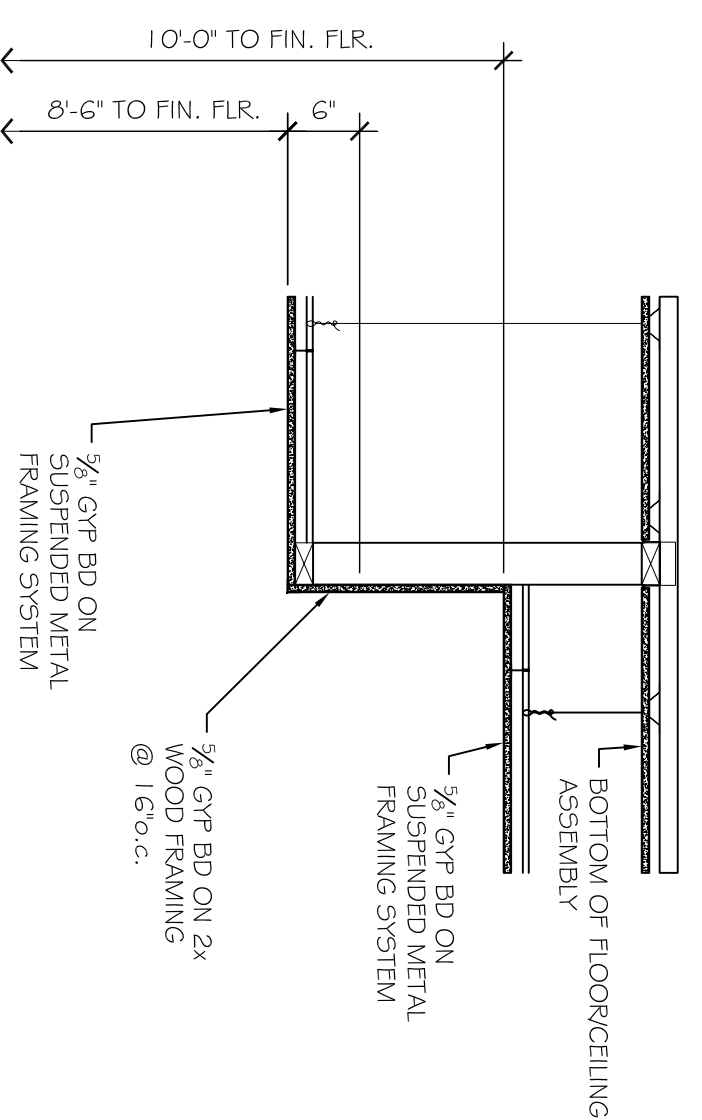
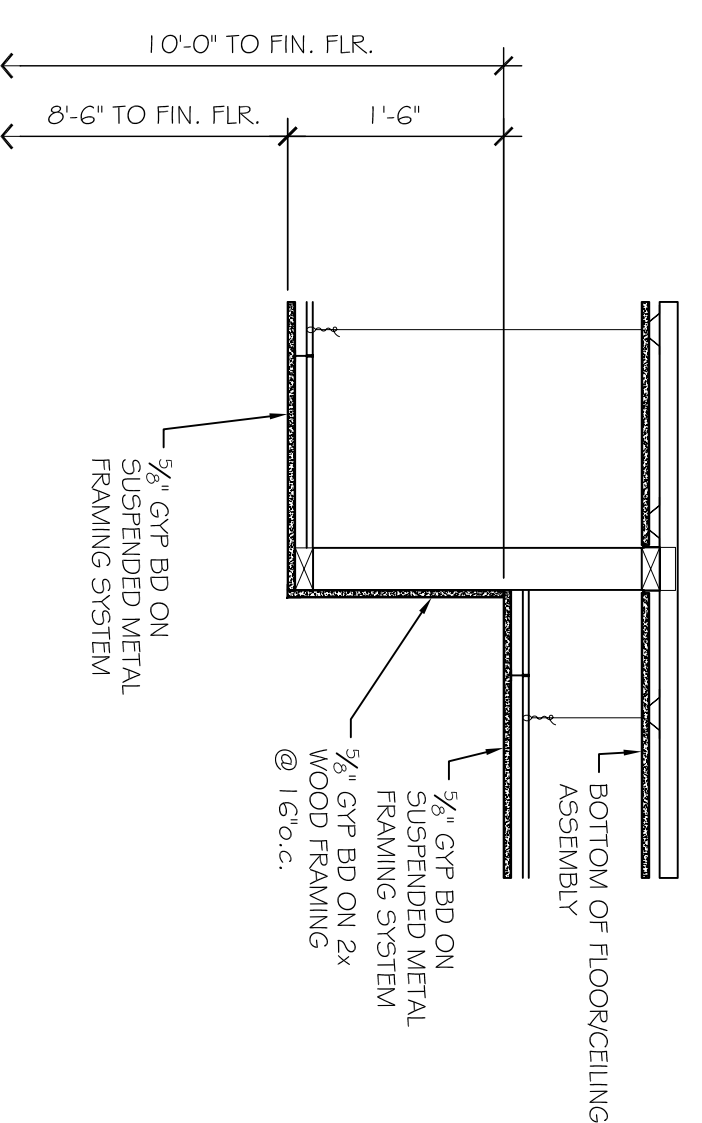
SCALE: 3/4" = 1'-0"

4 CEILING DETAIL @ CORRIDOR LOBBY LEVEL

SCALE: 3/4" = 1'-0"

7 GYP CEILING ACCESS PANEL DETAIL

SCALE: 3/4" = 1'-0"



8 DRAPERY POCKET @ BREAKFAST

SCALE: 3/4" = 1'-0"

3 CEILING DETAIL @ MEETING ROOM

SCALE: 3/4" = 1'-0"

6 CEILING DETAIL @ REGISTRATION

SCALE: 3/4" = 1'-0"

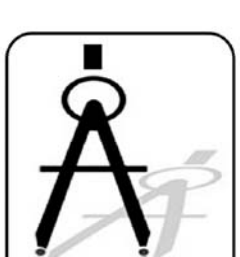
REVISIONS		DATE
#	DESCRIPTION	

LAQUINTA INNS & SUITES

507 CONSTITUTION DRIVE
WEST MONROE, LOUISIANA 71292

JOB No:	2196	DATE:	04-15-2014
DRAWN BY:	JTL	CHECKED BY:	CKD

The above drawings and specifications, designs and arrangements, respectively, hereby are and shall remain the property of Dammon Engineering, and no part thereof shall be copied, adapted to other, used in connection with any work, or project other than the specific project for which they have been prepared and developed without written consent of Dammon Engineering. Total contact with these drawings or specifications shall constitute conclusive evidence of acceptance of these instructions.



DAMMON
ENGINEERING, INC.
Architects & Engineers

CHIEF ENGINEER: BRIAN MISTICH, P.E.
CHIEF ARCHITECT: KEVIN KINCHEN
554 OLD SPANISH TRAIL
SLIDELL, LA 70458

dammonengineering.com
dammoneng@bellsouth.net
PHONE: 985-649-5832
FAX: 985-641-5990

CEILING
DETAILS

SHEET No: 13 OF 53

A5