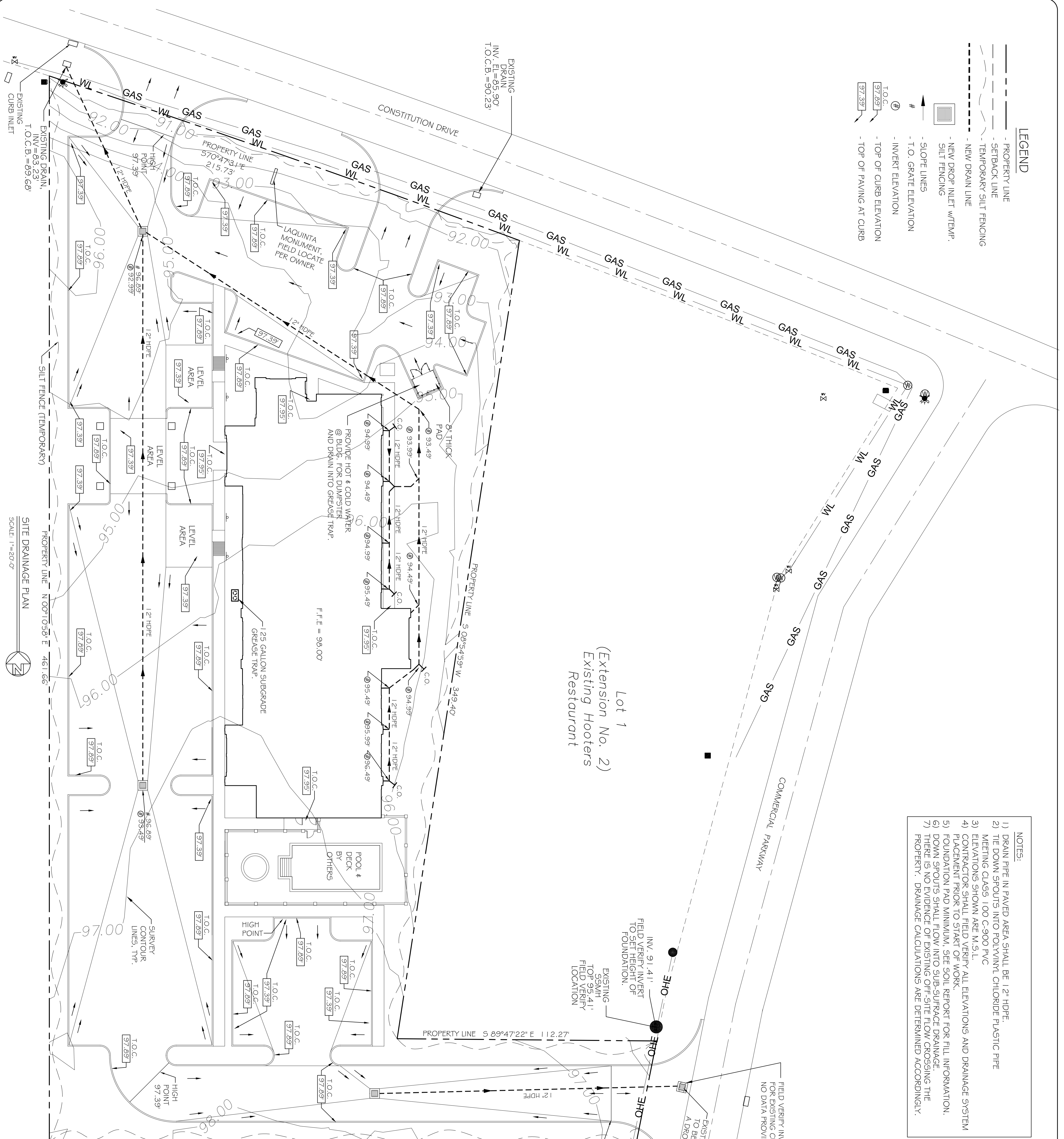
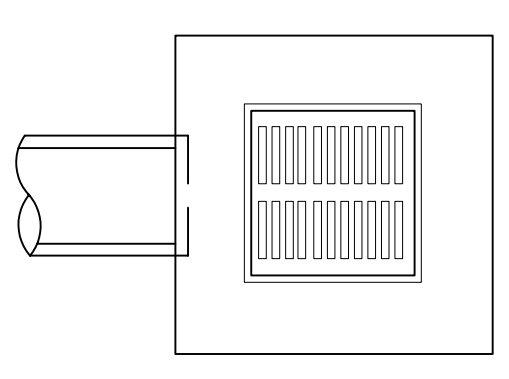


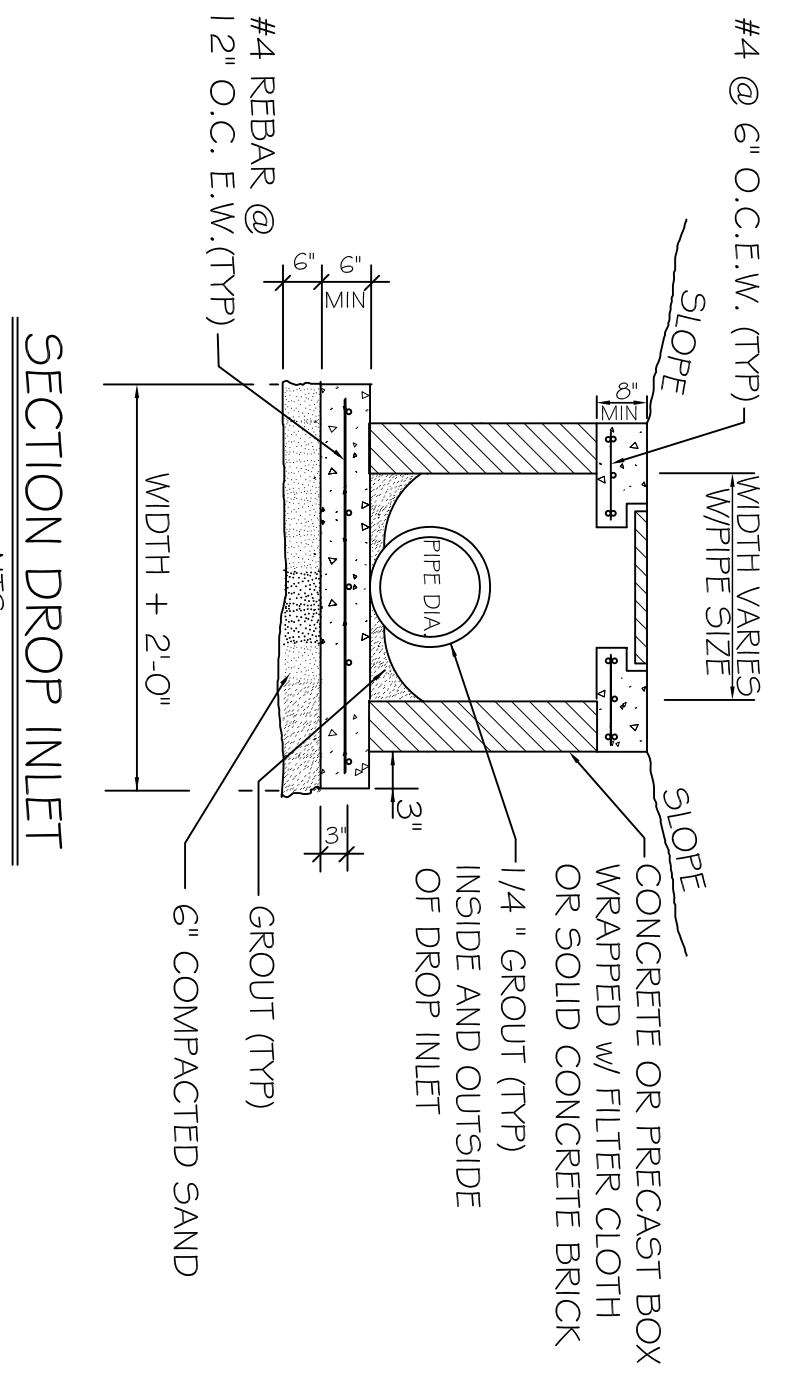
- LEGEND**
- PROPERTY LINE
 - SETBACK LINE
 - TEMPORARY SILT FENCING
 - NEW DRAIN LINE
 - NEW DROP INLET w/TEMP. SILT FENCING
 - SLOPE LINES
 - T.O. GRATE ELEVATION
 - INVERT ELEVATION
 - TOP OF CURB ELEVATION
 - TOP OF PAVING AT CURB



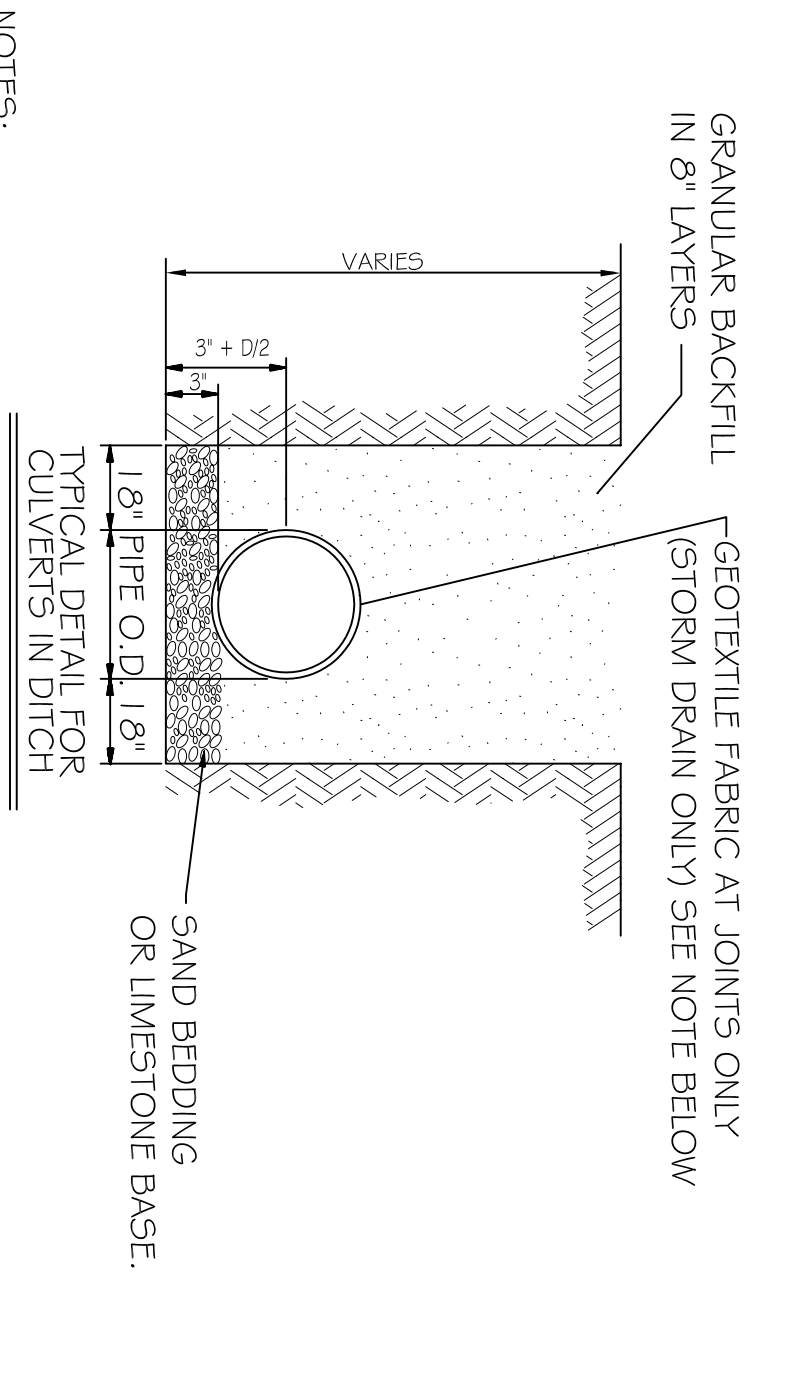
- NOTES:**
- 1) DRAIN PIPE IN PAVED AREA SHALL BE 12" HDPE.
 - 2) TIE DOWN SPOUTS INTO POLYVINYL CHLORIDE PLASTIC PIPE MEETING CLASS 100 C-900 PVC
 - 3) ELEVATIONS SHOWN ARE M.S.L.
 - 4) CONTRACTOR SHALL FIELD VERIFY ALL ELEVATIONS AND DRAINAGE SYSTEM PLACEMENT PRIOR TO START OF WORK.
 - 5) FOUNDATION PAD MINIMUM. SEE SOIL REPORT FOR FILL INFORMATION.
 - 6) DOWN SPOUTS SHALL FLOW INTO SUB-SURFACE DRAINAGE.
 - 7) THERE IS NO EVIDENCE OF EXISTING OFF-SITE FLOW CROSSING THE PROPERTY. DRAINAGE CALCULATIONS ARE DETERMINED ACCORDINGLY.



TYPICAL DROP INLET
NTS



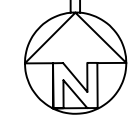
SECTION DROP INLET
NTS



NOTES:

1. ALL GEOTEXTILE FABRIC TO BE 3'-0" WIDE AND TO OVERLAP NO LESS THAN 1/2 OF PIPE DIAMETER AT ALL JOINTS.
2. ADDITIONAL BENDING MATERIAL MAY BE REQUIRED AS DIRECTED BY THE ENGINEER.
3. TIMBER PLANKING UNDER CULVERTS MAY BE REQUIRED BY ENGINEER.

SITE DRAINAGE PLAN
SCALE: 1"=20'-0"



LAQUINTA INNS & SUITES

507 CONSTITUTION DRIVE
WEST MONROE, LOUISIANA 71292

JOB No:	2196	DATE:	04-15-2014
DRAWN BY:	JTL	CHECKED BY:	CKD

The above drawings and specifications, designs and arrangements represented hereby are and shall remain the property of Dammon Engineering, and no part thereof shall be copied, adapted or otherwise used in connection with any work or project other than the specific project for which the same were prepared and developed without written consent of Dammon Engineering. Total contact with these drawings or specifications shall constitute conclusive evidence of acceptance of these restrictions.



DAMMON
ENGINEERING, INC.
Architects & Engineers

CHIEF ENGINEER: BRIAN MISTICH, P.E.
CHIEF ARCHITECT: KEVIN KINCHEN
554 OLD SPANISH TRAIL
SLIDELL, LA 70458

dammonengineering.com
dammoning@bellsouth.net
PHONE: 985-649-5832
FAX: 985-641-5990

SHEET No: 05 OF 53

C4

SITE DRAINAGE PLAN

#	DESCRIPTION	DATE