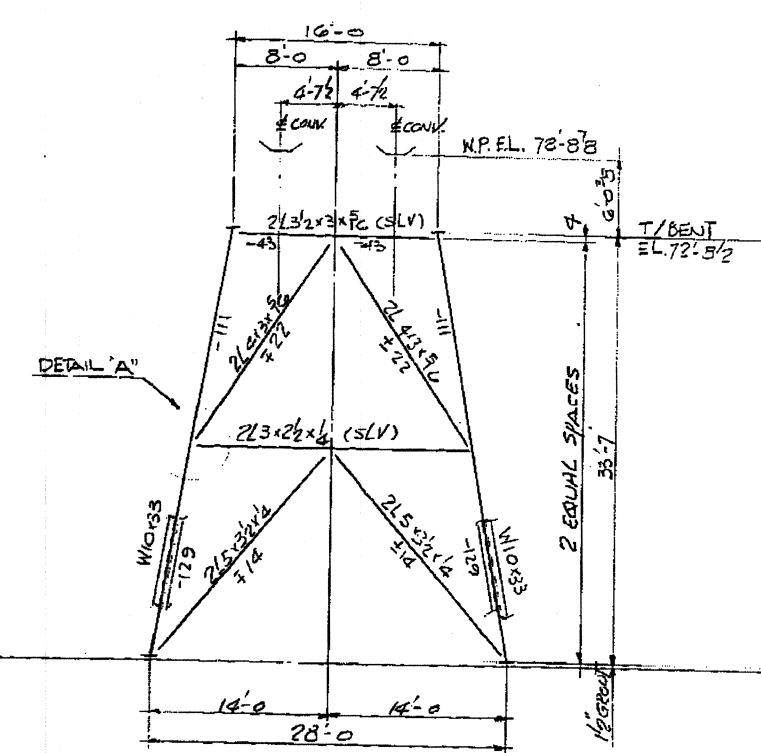
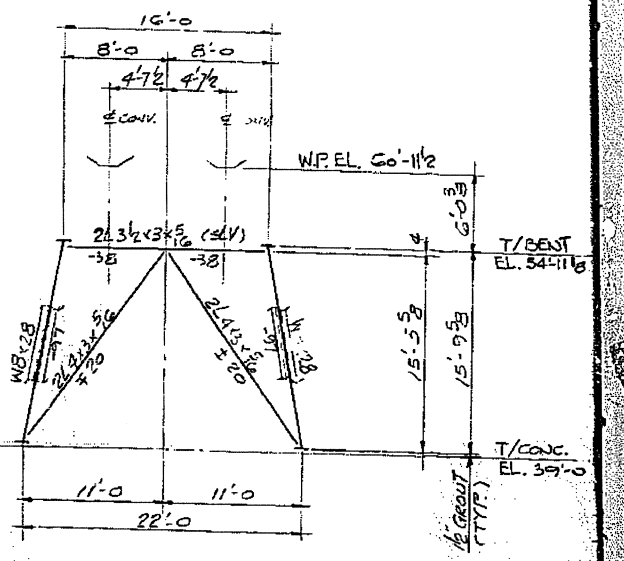


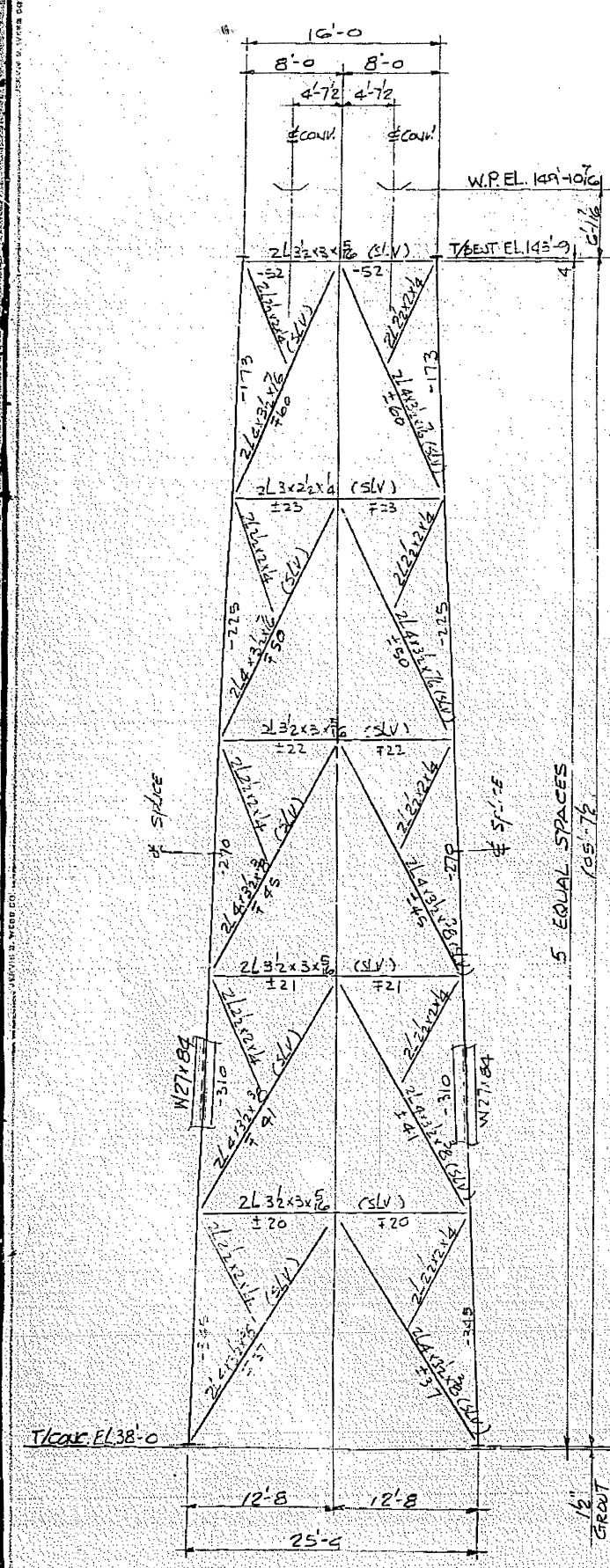
BENT #54



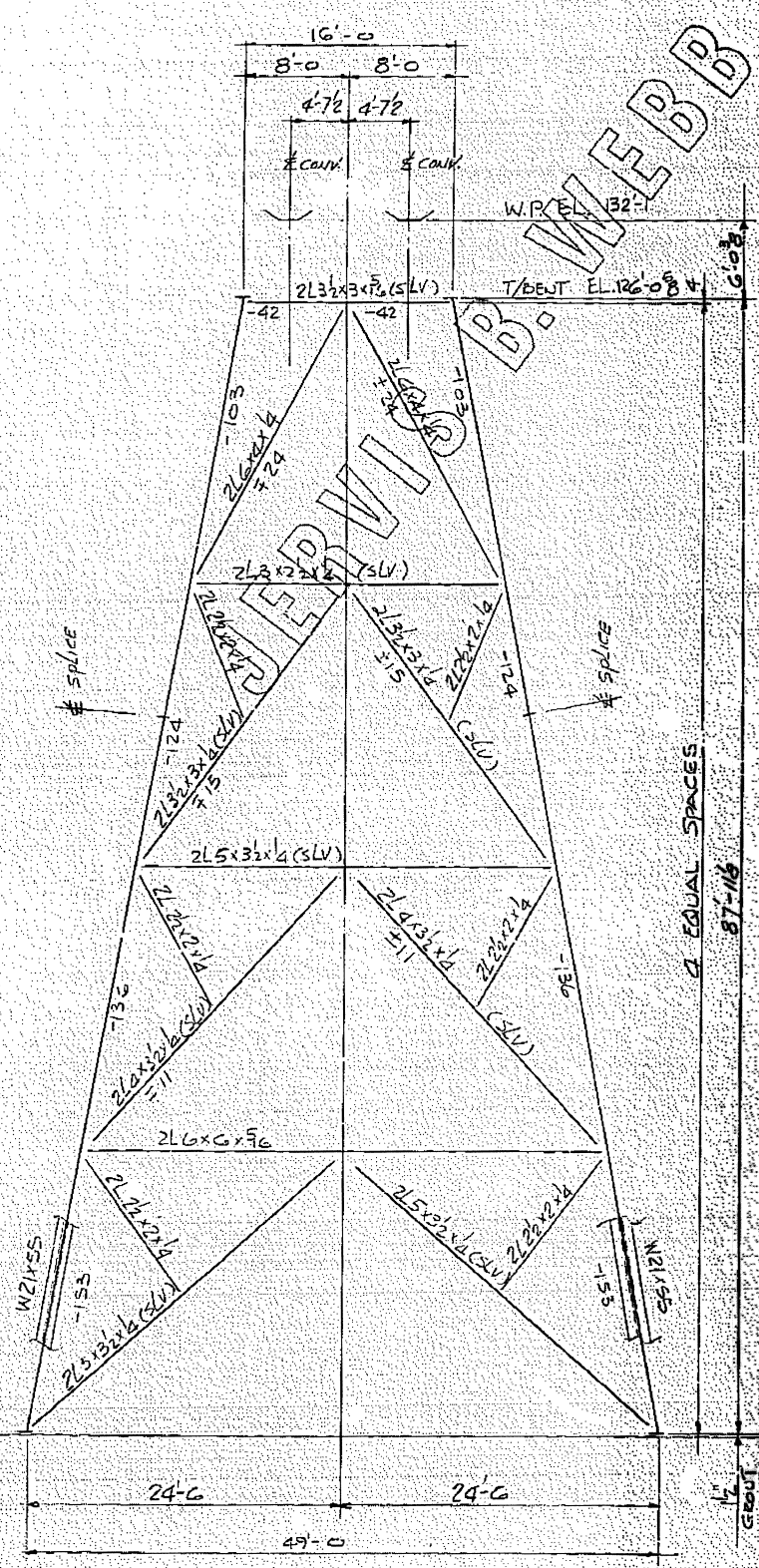
BENT #53



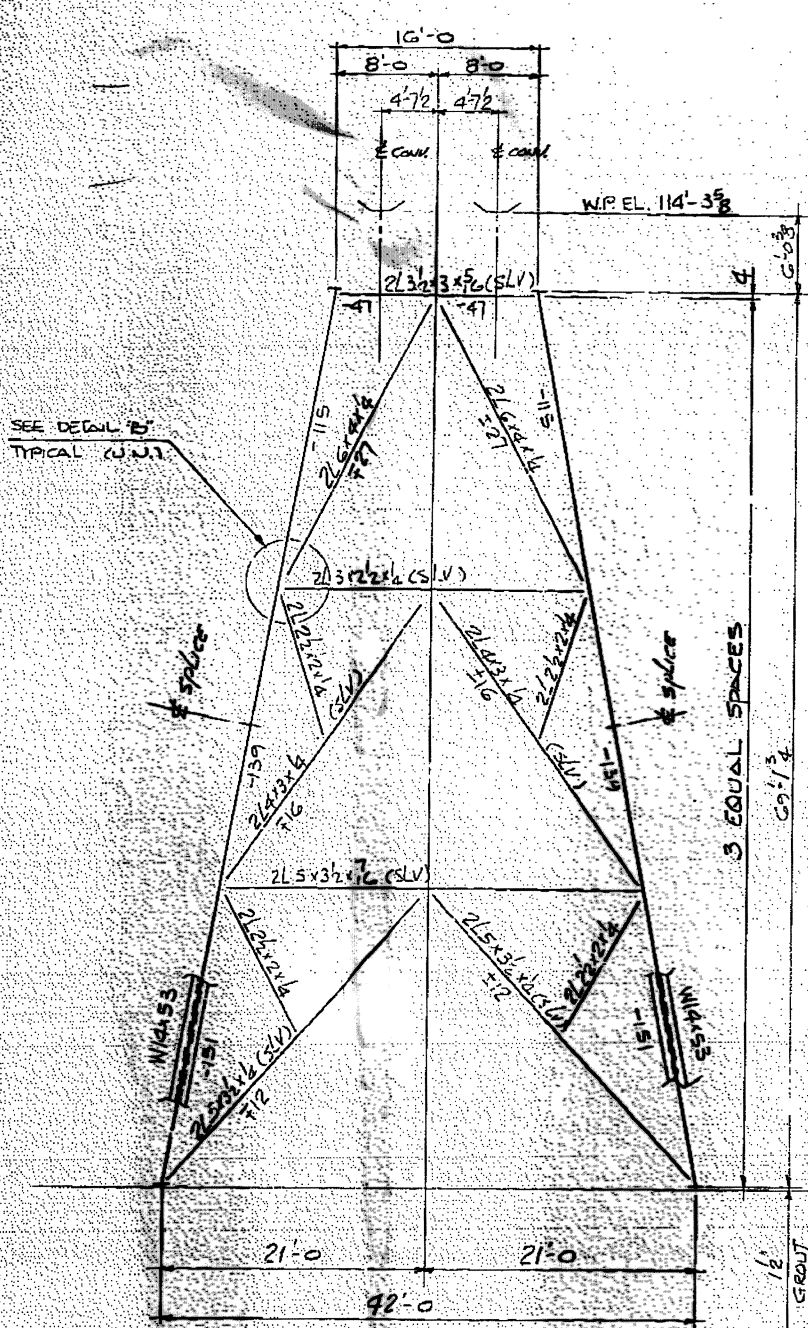
BENT #52



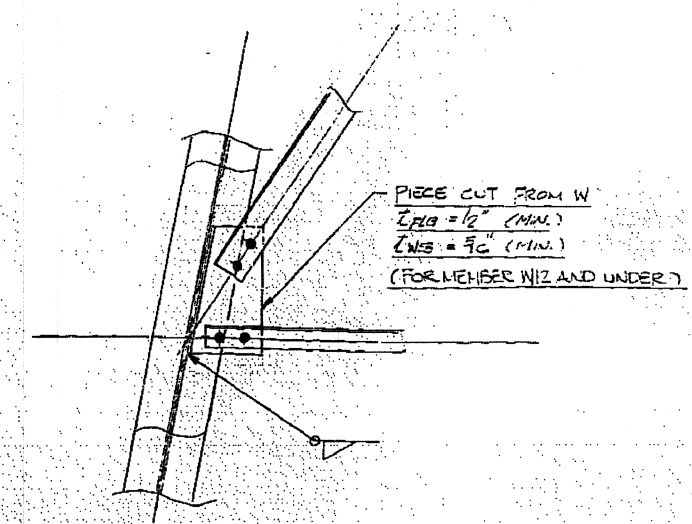
BENT #57



BENT #56



BENT #55



DETAIL 'A'

- WORK THIS DRAWING WITH:
- ES10 ANCHOR BOLT AND FOUNDATION PLAN FOR CONV. BC-5A & BC-5B
  - ES21 TRUSS T5-1 & T5-2 FOR CONV. BC-5A & BC-5B
  - ES22 TRUSS T5-3 & T5-4 FOR CONV. BC-5A & BC-5B
  - ES23 TRUSS T5-5 & T5-6 FOR CONV. BC-5A & BC-5B
  - ES24 TRUSS T5-7 FOR CONV. BC-5A & BC-5B
  - ES10 TYPICAL GALLERY CROSS SECTION & END DETAILS FOR CONV. BC-5A & BC-5B
  - ES27 PLANT TRANSFER TOWER ENTRY DETAILS - CONV. BC-5A & BC-5B
  - ES28 TYPICAL GALLERY CONNECTIONS FOR CONV. BC-5A & BC-5B AND EC-4A & EC-4B

Certified for design - 10/10/77 by G.J.L.  
 Certified for construction - 10/10/77 by G.J.L.  
 JERVIS B. WEBB CO.  
 BULK SYSTEMS GROUP

CAJUN ELECTRIC POWER COOPERATIVE, INC.  
 616 CAJUN RD. 2 POWER STATION  
 LOUISIANA 80 ENVY  
 CONTRACT 82-17-BOAL UNCLING

**BULK SYSTEMS**  
 BY **JERVIS B. WEBB CO.**  
 3000 ALPINE AVENUE  
 DETROIT, MICH 48204

DATE: BENTS #52 THRU #57  
 CONV. BC-5A & BC-5B  
 CAJUN ELECTRIC POWER COOPERATIVE, INC.  
 BIG CAJUN 222 POWER PLANT, BOUY ENGLAND  
 E.K.  
 DATE: 8-31-77  
 A.B.  
 P-34896-E  
 ES9.5

ENGINEER IN CHARGE: W. MENSCH  
 NOTICE: THE DRAWING IS TO BE USED ONLY FOR THE PROJECT AND SITE SPECIFICALLY IDENTIFIED HEREON. IT IS NOT TO BE USED FOR ANY OTHER PROJECT OR SITE WITHOUT THE WRITTEN CONSENT OF THE ENGINEER. THE USER OF THIS DRAWING SHALL BE RESPONSIBLE FOR OBTAINING ALL NECESSARY PERMITS AND REGULATORY APPROVALS. THE ENGINEER'S LIABILITY IS LIMITED TO THE DESIGN AND CONSTRUCTION OF THE PROJECT DESCRIBED HEREON.

NO.	DATE	DESCRIPTION	BY	CHKD.	APP'D.
1	8-31-77	ISSUED FOR FABRICATION	W.M.		