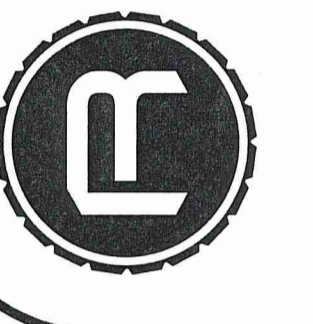
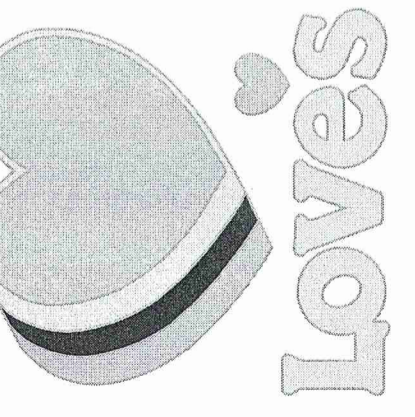




RESOURCECONSULTING
 CIVIL ENGINEERING
 6700 Jefferson Highway - Resource Suite 4A
 Baton Rouge, Louisiana 70806
 ResourceConsulting@hotmail.com
 Tel: (225) 761-9909; Fax (225) 766-6672



LOVE'S TRAVEL STOP
 INTERSTATE 59 EXIT 1 @ MS HIGHWAY 607
 PEARL RIVER COUNTY, MISSISSIPPI



C4.4

BMPs Sediment Control

Planning Considerations

- For temporary protection, materials such as straw bales or fabric barriers can be used; for permanent protection, block inlets or sodding can be placed around drain inlets.
- This practice should be put into place prior to grading.

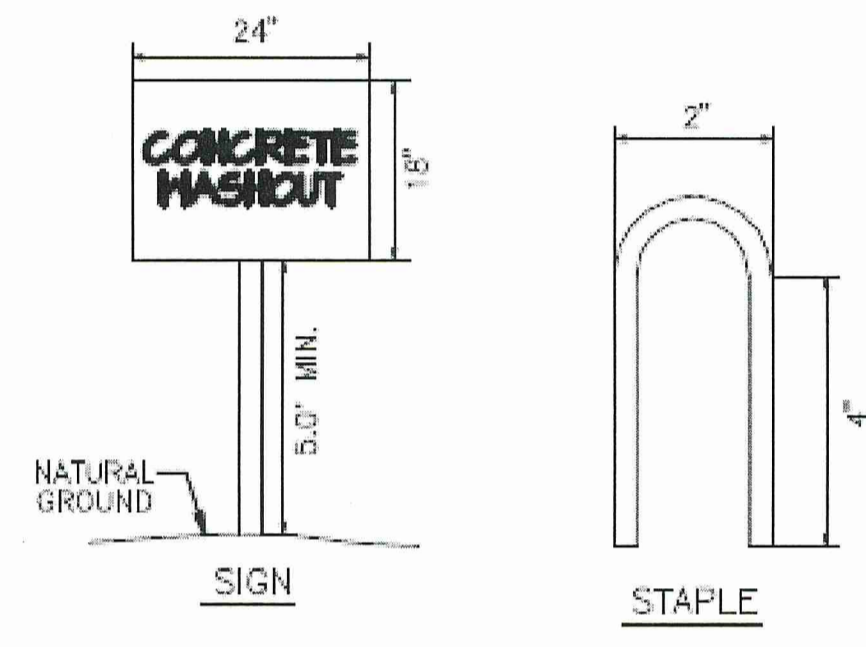
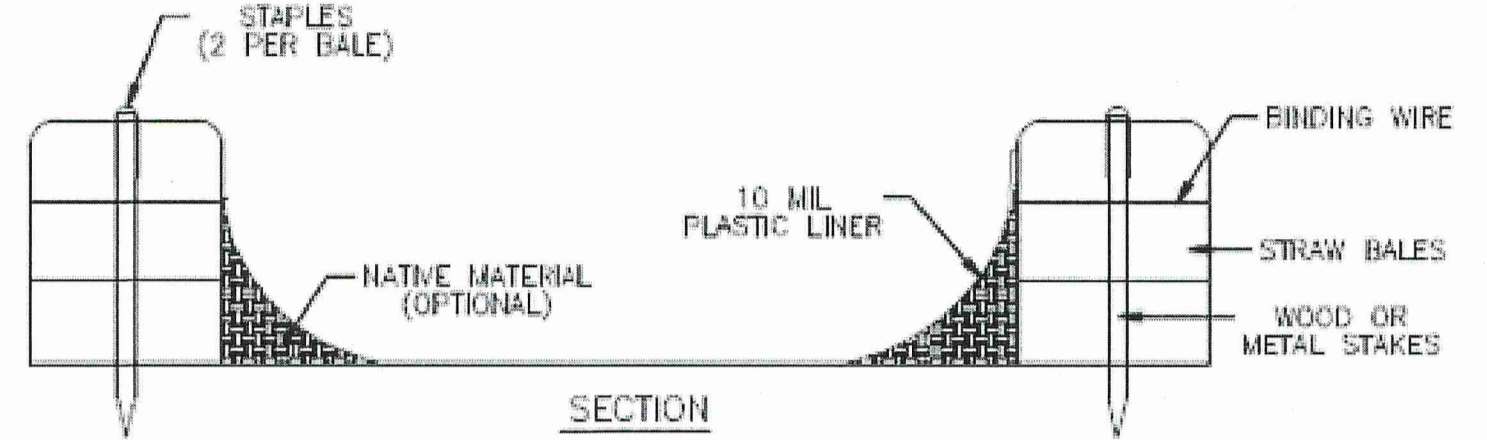
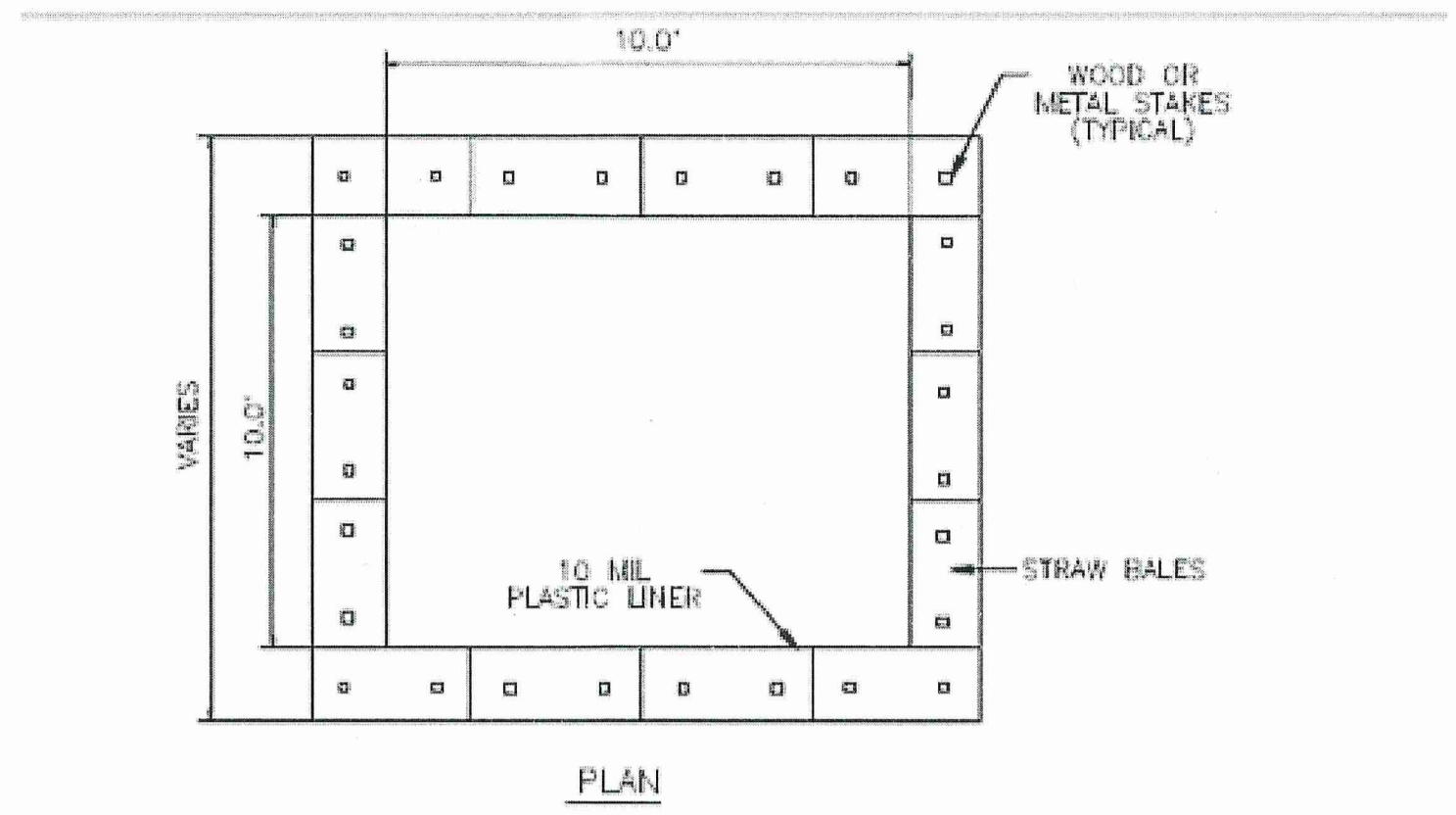
Recommended Specifications

Method	Practice Specific Recommendations
Perimeter Excavation	<ul style="list-style-type: none"> Excavation depth: 1 ft (min.); 2 ft (max.) Excavation volume: 35 yd³ / acre (min.) Excavated slopes: 2:1 ratio (max.)
Fabric Barrier Inlet Protection	<ul style="list-style-type: none"> Stake placement: 3 ft apart (max.) Fabric extension: 1 ft (min.) below soil surface 1.5 ft (max.) above soil surface
Gravel/Concrete Barriers	<ul style="list-style-type: none"> Block height: 1 ft (min); 2 ft (max.) Block extension: 2 inch (min.) below soil surface Mortar required 1/2" wire mesh should be used over block openings Gravel should be placed along outside of blocks
Sod Inlet Protection	<ul style="list-style-type: none"> Sod extension: 4 ft (min.) from inlet; all directions Slope: 4:1 (max.) for sodded area Sod should be placed in staggered arrangement

Maintenance

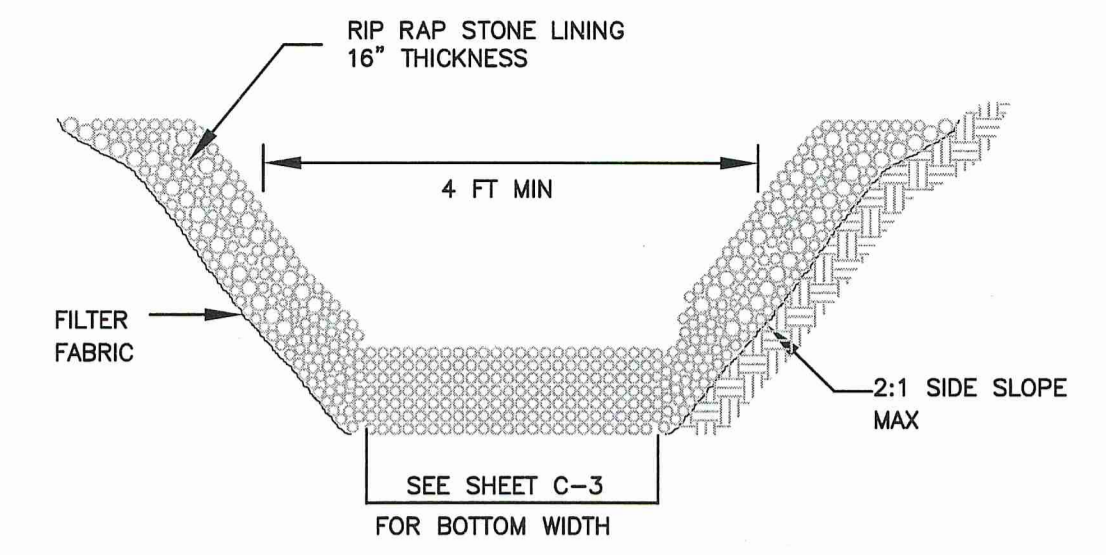
- Frequent cleaning to prevent clogging of the water intake and subsequent erosion of unprotected areas
- Repair and replacement of temporary material structures as necessary after storm events

Louisiana Coastal Zone BMPs Urban Storm Water Runoff 74



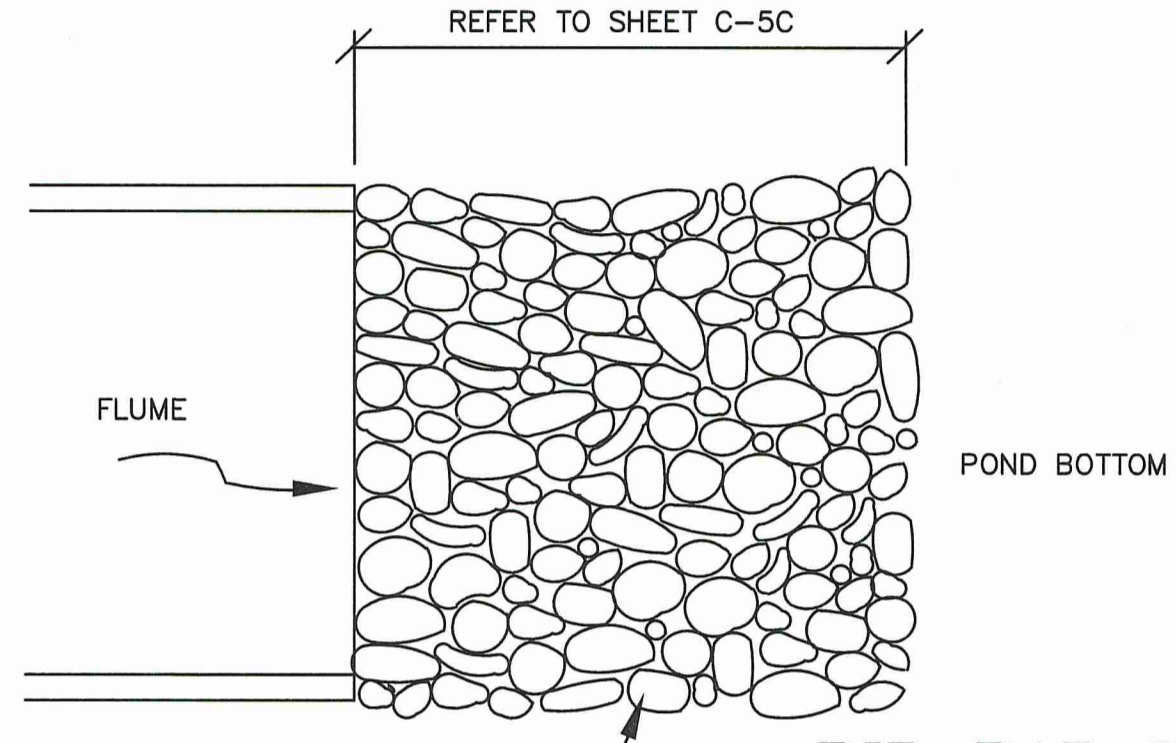
NOTES:

- NO CONCRETE WASHOUT SHALL BE PLACED WITHIN 50' OF STORM DRAIN, OPEN DITCHES, OR WATER BODIES.
- WASHOUT FACILITY SHOULD BE PLACED IN A LOCATION THAT IS CONVENIENT FOR CONCRETE TRUCKS.
- THE CONCRETE WASHOUT SIGN SHALL BE PLACED WITHIN 30 FEET OF THE WASHOUT FACILITY.
- THE CONCRETE WASHOUT LETTERS SHALL BE A MINIMUM OF 3 INCHES IN HEIGHT.



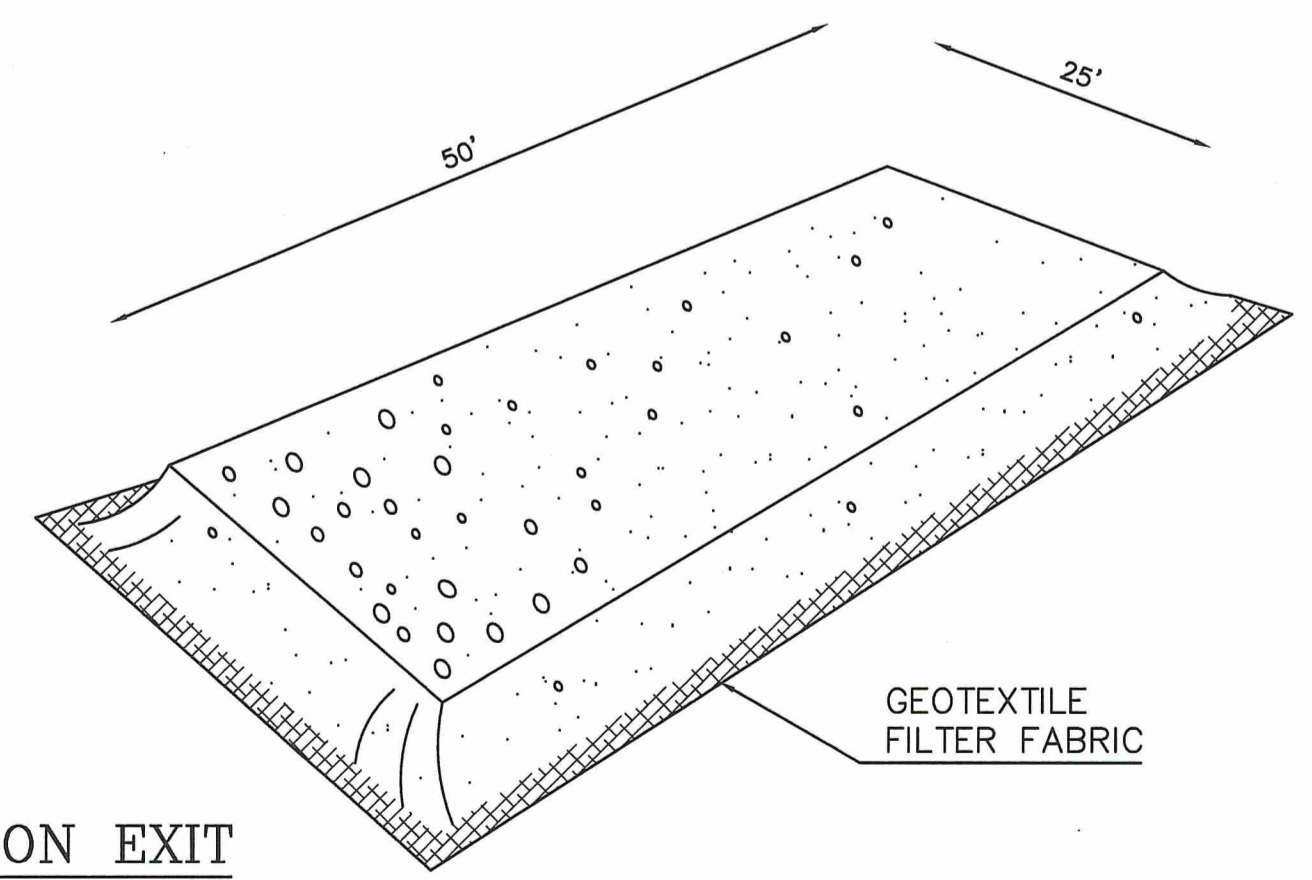
NOTE:
 RIP RAP SIZE SHALL RANGE FROM 3" MIN. 12" MAX. WITH AVERAGE SIZE OF 6". AT LEAST 50% OF ROCK SHALL CONSIST OF PIECES LARGER THAN THE AVERAGE SIZE. PIECES SMALLER THAN THE SMALLER SIZE SHALL NOT EXCEED 15% OF THE TONNAGE SHIPPED.

FLAT BOTTOM DITCH WITH RIP RAP LINING
 MS 0228

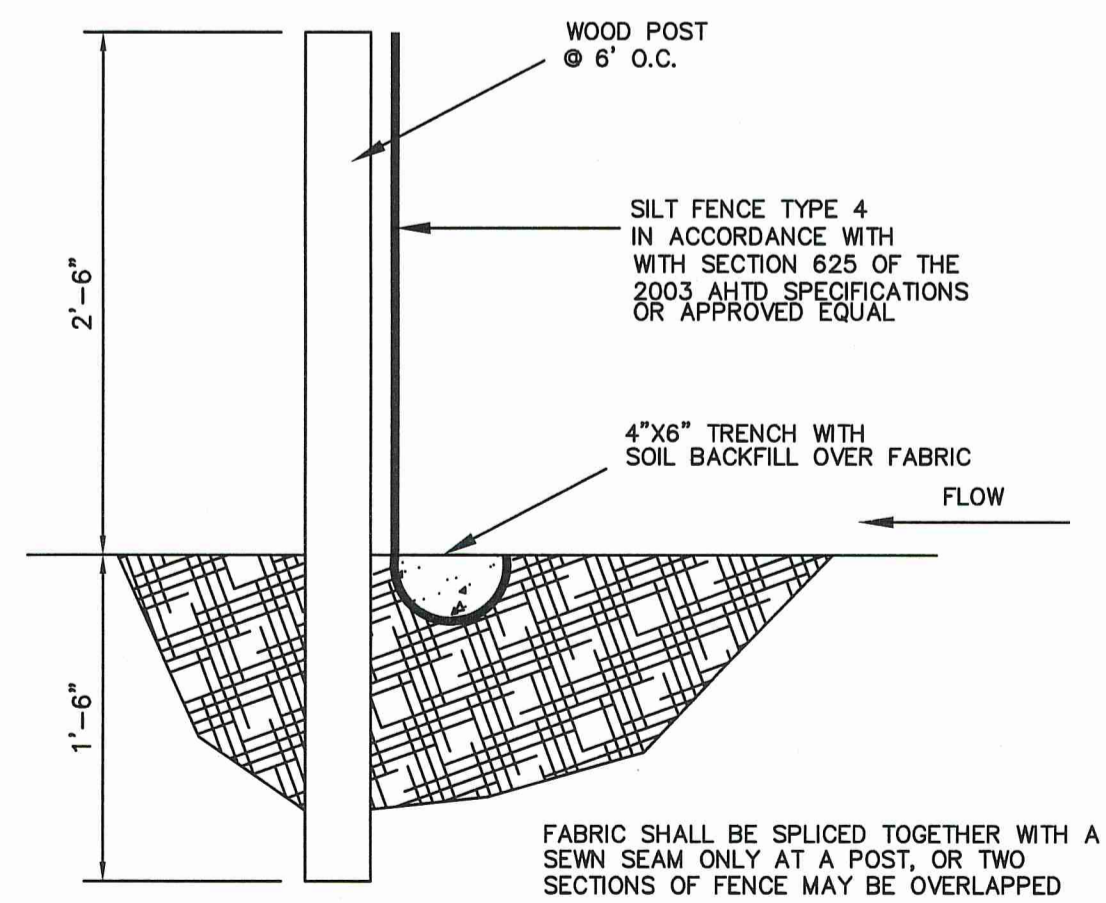


RIP RAP DETAIL
 NO SCALE
 RR

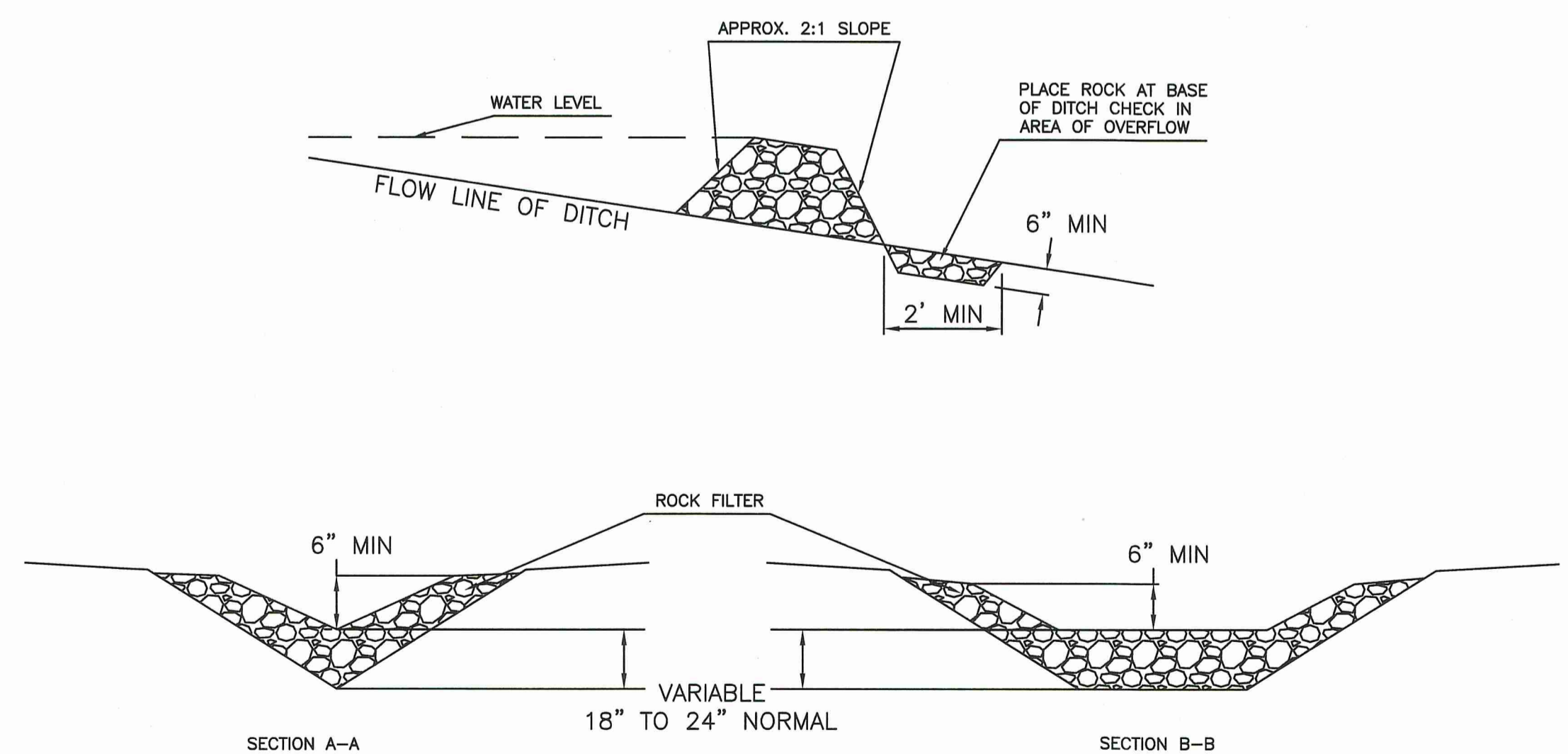
- * STONE SIZE: ASTM D448 SIZE #1 #1(1 1/2" TO 3 1/2" DIAMETER)
- * PAD THICKNESS >= 6"
- * MAY REQUIRE PERIODIC TOP DRESSING WITH 2" STONE
- * PLACE LAYER OF GEOTEXTILE FILTER FABRIC UNDER STONE



TEMPORARY CONSTRUCTION EXIT
 N.T.S. C003
 CE



SILT FENCE DETAIL
 NO SCALE
 SF



ROCK DITCH CHECK (E-6)
 NO SCALE (PER AHTD STD TEC-1) CD-R



THIS DRAWING IS NOT VALID WITHOUT AN ORIGINAL BLUE INK SIGNATURE AND ORIGINAL HANDWRITTEN DATE OF A LICENSED PROFESSIONAL ENGINEER.

SWPPP DETAILS

