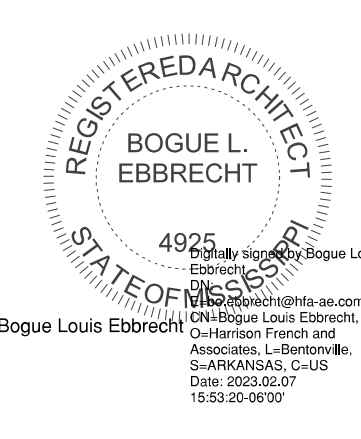


STIPULATION FOR REUSE
 THE DRAWINGS ARE PREPARED FOR USE ON A SPECIFIC SITE AT A PARTICULAR TIME AND PLACE. THEY ARE NOT TO BE REUSED FOR ANY OTHER PROJECT WITHOUT THE WRITTEN CONSENT OF HARRISON FRENCH & ASSOCIATES, PLLC. ANY REUSE OF THESE DRAWINGS FOR ANY OTHER PROJECT WITHOUT THE WRITTEN CONSENT OF HARRISON FRENCH & ASSOCIATES, PLLC IS STRICTLY PROHIBITED. THE USER OF THESE DRAWINGS SHALL BE RESPONSIBLE FOR OBTAINING ALL NECESSARY PERMITS AND FOR COMPLYING WITH ALL APPLICABLE CODES AND REGULATIONS. HARRISON FRENCH & ASSOCIATES, PLLC IS NOT RESPONSIBLE FOR ANY SUCH REUSE OR FOR ANY CONSEQUENCES THEREOF.

Loves
 STORE NUMBER: 860
 I-59, EXIT 1
 NICHOLSON, MS 39466
 JOB NUMBER: 03-23-30009

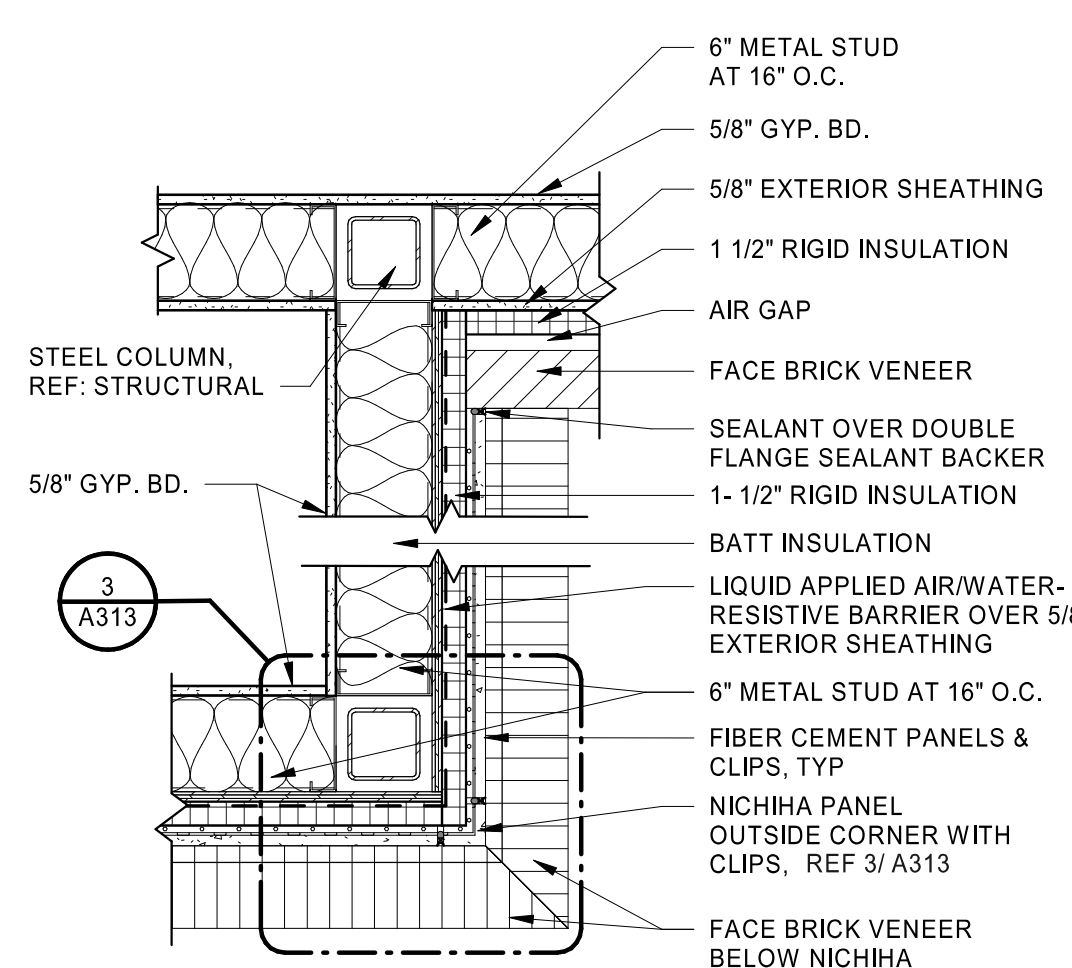
ISSUE BLOCK

CHECKED BY: MAP
 DRAWN BY: ASE
 DOCUMENT DATE: 02/06/23
 PROTO: T1-180
 PROTO CYCLE: Q4 - 2022

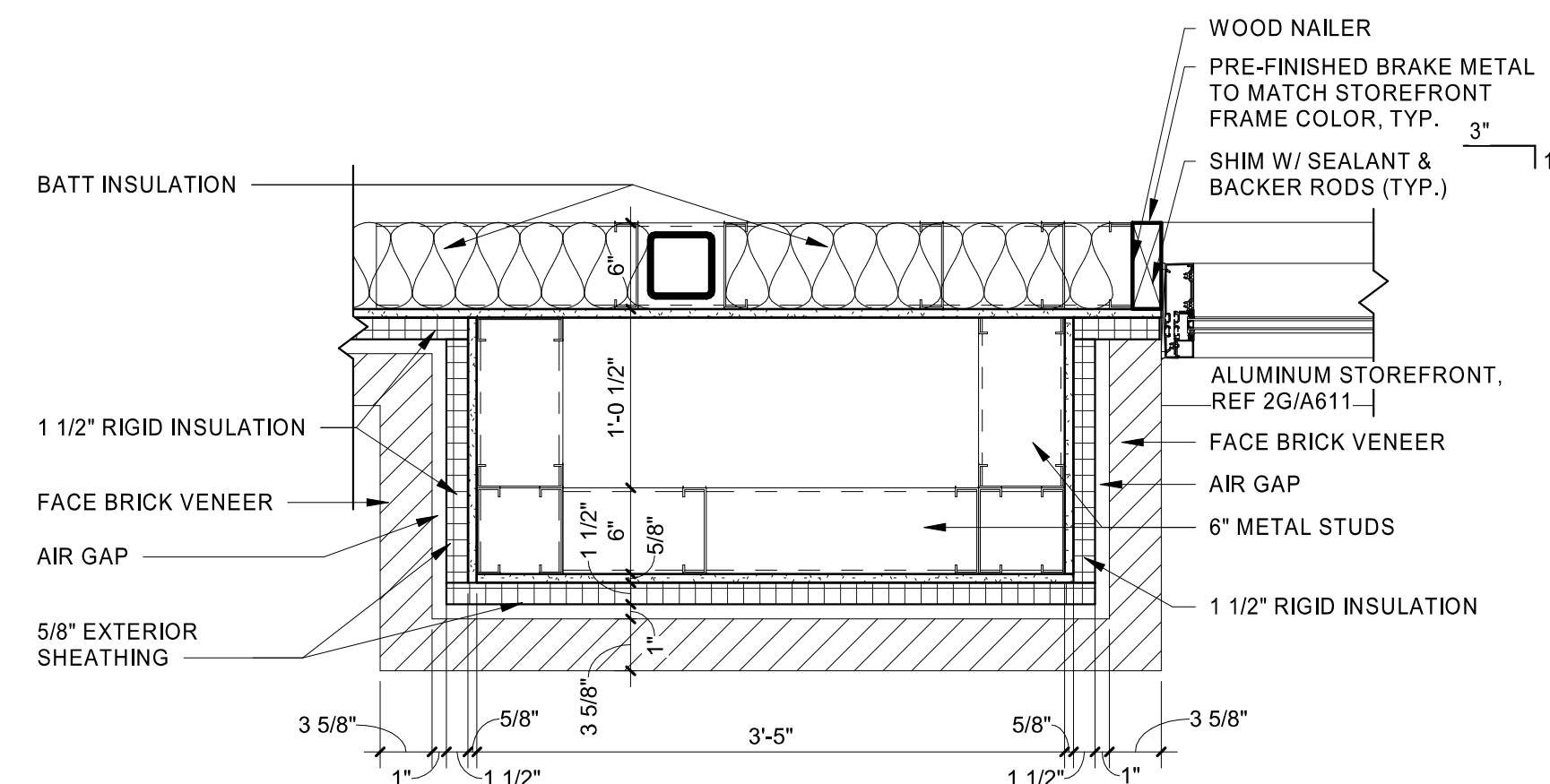


ENTRY PLANS & DETAILS

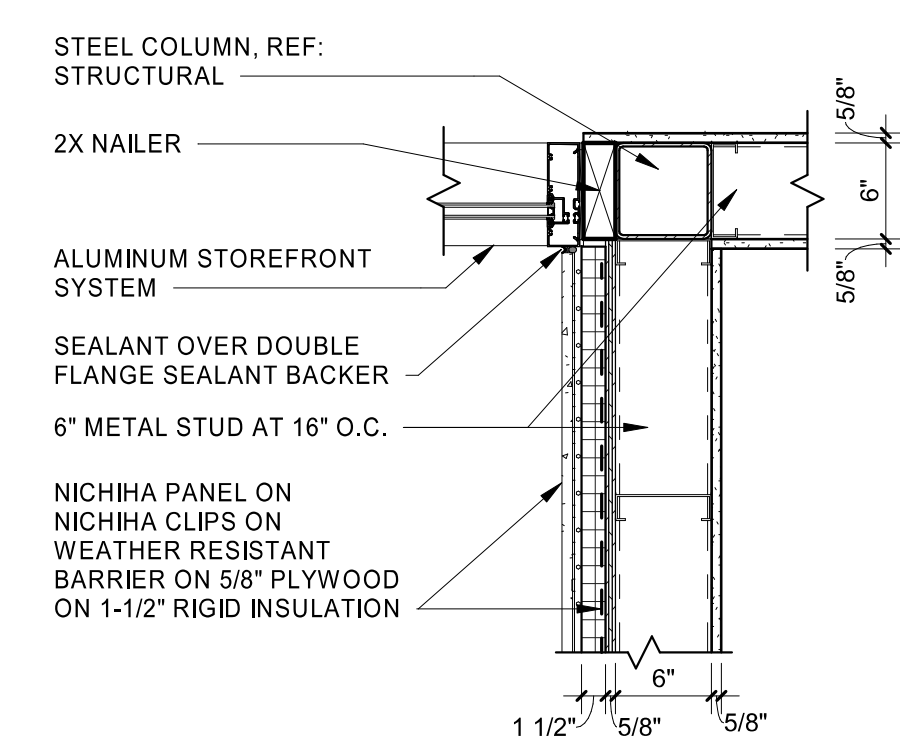
SHEET: **A407**



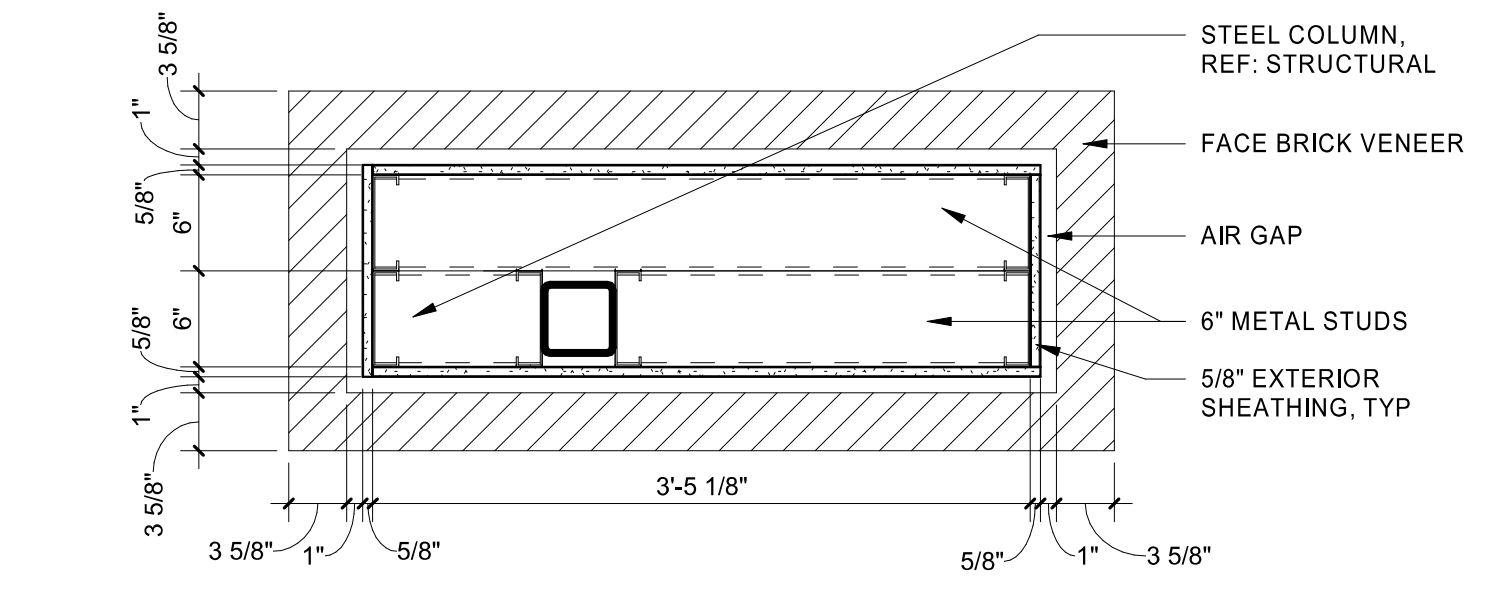
6 COLUMN PLAN
 1" = 1'-0"



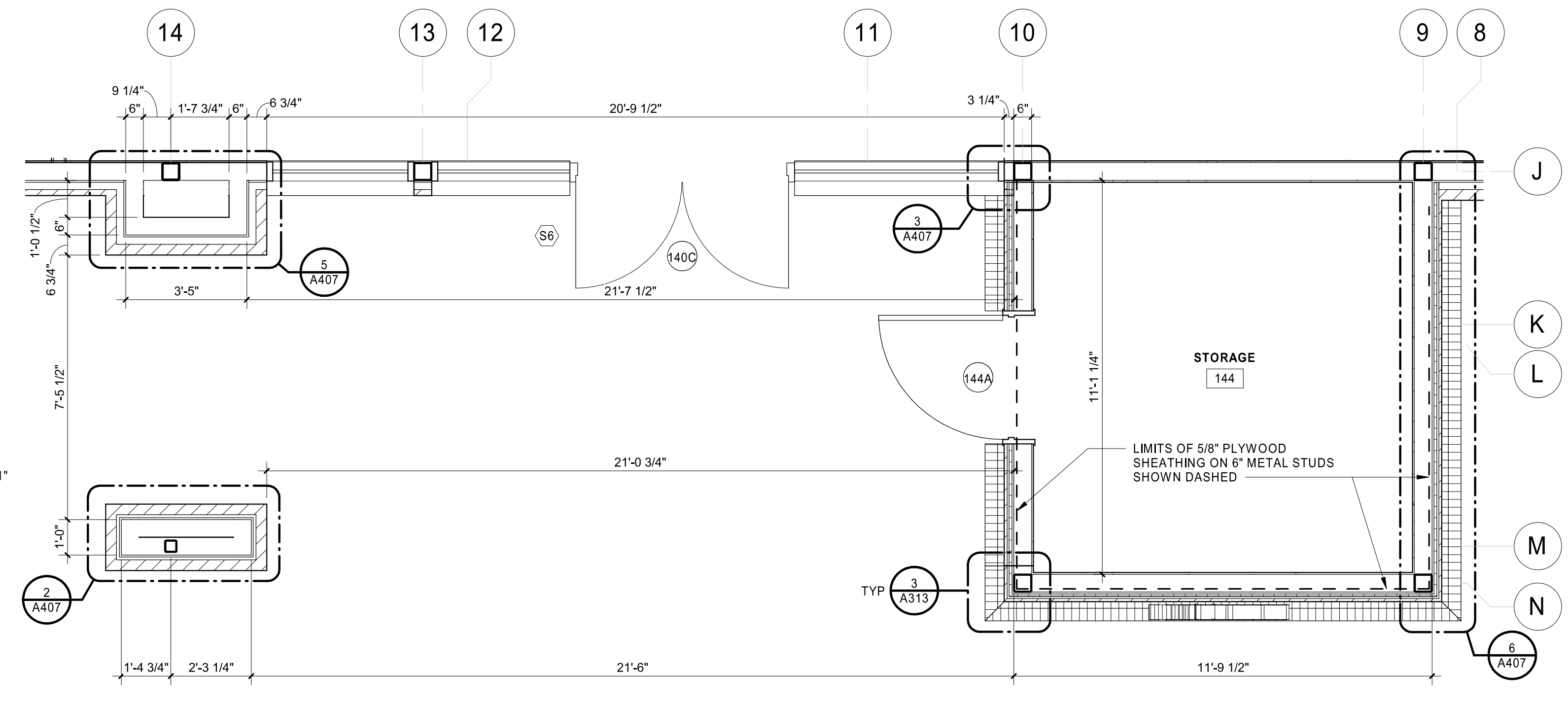
5 PLAN DETAIL
 1" = 1'-0"



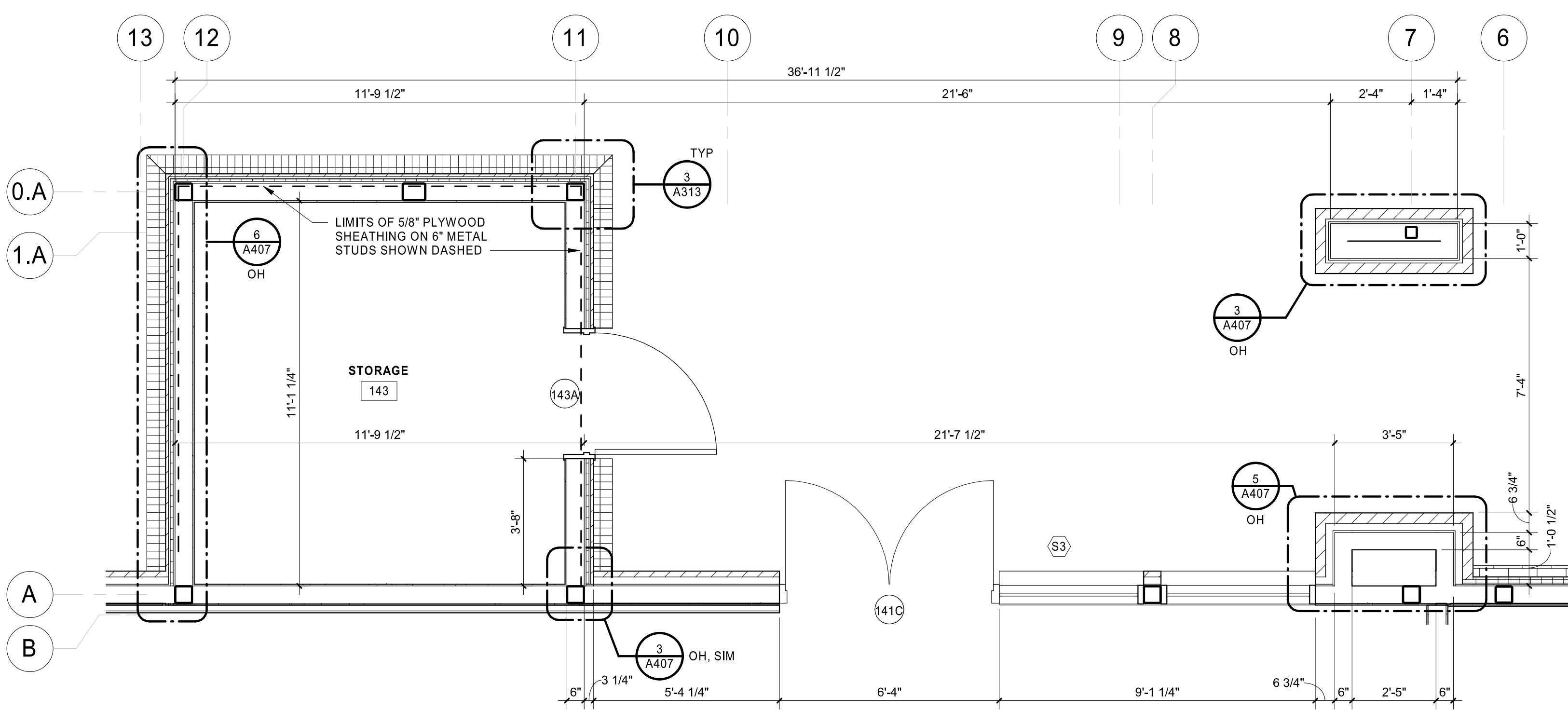
3 PLAN DETAIL
 1" = 1'-0"



2 PLAN DETAIL
 1" = 1'-0"



4 ENLARGED FRONT ENTRY FLOOR PLAN
 3/8" = 1'-0"



1 ENLARGED REAR ENTRY FLOOR PLAN
 3/8" = 1'-0"

8/2023 9:30:07 AM
 C:\Users\mfrancis\Documents\2023\Plan\Projects\Loves_Nicholson_MS_ARCH_T1_180_01_HFA_Markup\Print
 3/25/2023 10:57:45 AM
 3/25/2023 10:57:45 AM