

GENERAL NOTES

- ALL TILE INSTALLED IN SHOWER ROOM AND SHOWER STALL SHALL HAVE EPOXY GROUT
- REFER TO BLOCKING ELEVATIONS FOR EQUIPMENT BLOCKING EXTENTS
- BLOCKING SHALL BE FIELD VERIFIED PER STUDS AND EQUIPMENT MANUFACTURER INSTRUCTIONS FOR LOCATIONS

BLOCKING LEGEND:

2X WOOD BLOCKING AS INDICATED ON ELEVATIONS, UNO, REF GENERAL NOTE 2 AND 3

HFA
HARRISON FRENCH
& ASSOCIATES, PLLC
t 479.273.7780
1705 S. Walton Blvd., Suite 3
Bentonville, Arkansas 72712
www.hfa-ac.com

STIPULATION FOR REUSE
THESE DRAWINGS ARE PREPARED FOR USE ON A SPECIFIC SITE AT A SPECIFIC TIME AND PLACE. THEY ARE NOT TO BE REPRODUCED, COPIED, REUSED, OR TRANSMITTED IN ANY MANNER WITHOUT THE WRITTEN CONSENT OF HARRISON FRENCH & ASSOCIATES, PLLC. ANY REUSE OF THESE DRAWINGS FOR ANY OTHER PROJECT OR AT ANY OTHER TIME WITHOUT THE WRITTEN CONSENT OF HARRISON FRENCH & ASSOCIATES, PLLC IS STRICTLY PROHIBITED. HARRISON FRENCH & ASSOCIATES, PLLC IS NOT RESPONSIBLE FOR ANY DAMAGE, LOSS, OR INJURY RESULTING FROM THE USE OF THESE DRAWINGS. THE USER OF THESE DRAWINGS SHALL BE RESPONSIBLE FOR OBTAINING ALL NECESSARY PERMITS AND FOR COMPLYING WITH ALL APPLICABLE LAWS AND REGULATIONS.

Loves
STORE NUMBER: 860
1-59, EXIT 1
NICHOLSON, MS 39466
JOB NUMBER: 03-23-30009

ISSUE BLOCK

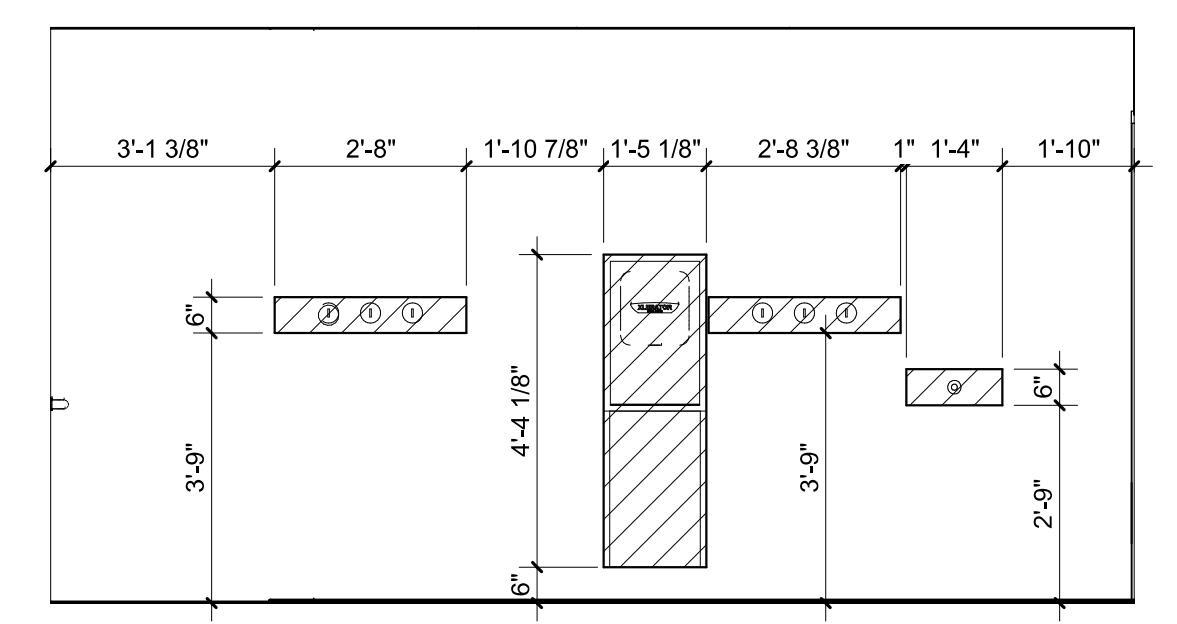
CHECKED BY: MAP
DRAWN BY: ASE
DOCUMENT DATE: 02/06/23
PROTO: T1-180
PROTO CYCLE: Q4 - 2022

REGISTERED ARCHITECT
BOGUE L. EBBRECHT
4925
Bogue Louis Ebbrecht
HARRISON FRENCH & ASSOCIATES, PLLC
1533 28-06007

SHOWER BLOCKING ELEVATION
7
3/8" = 1'-0"

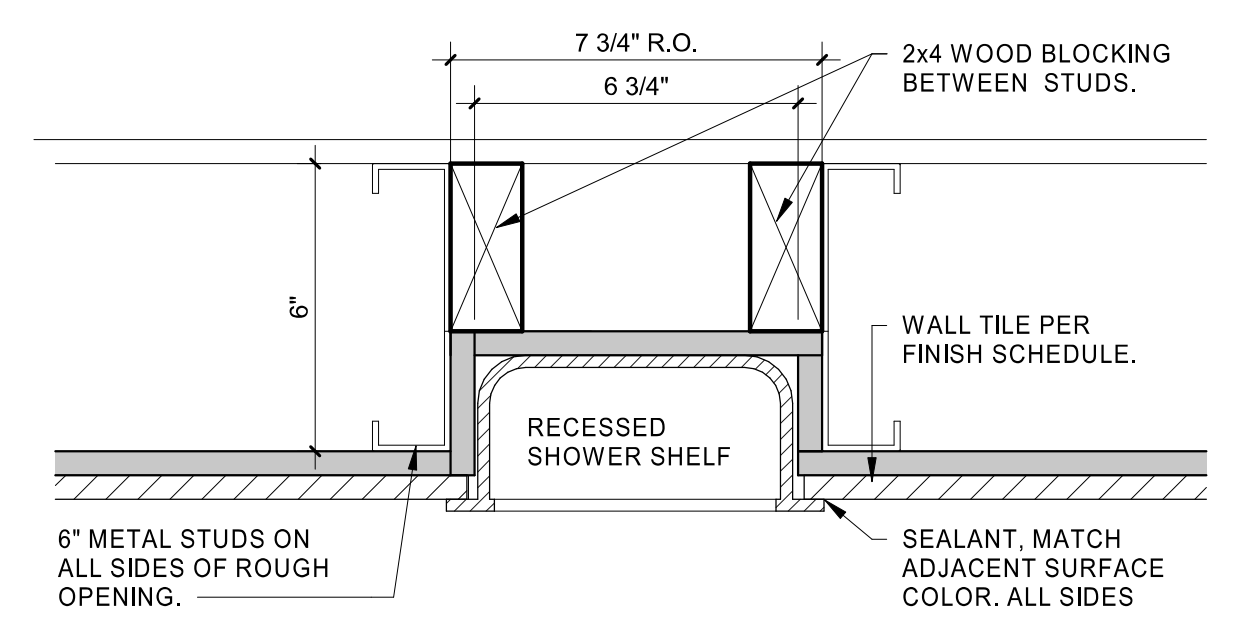
SHOWER ELEVATIONS

SHEET:
A411

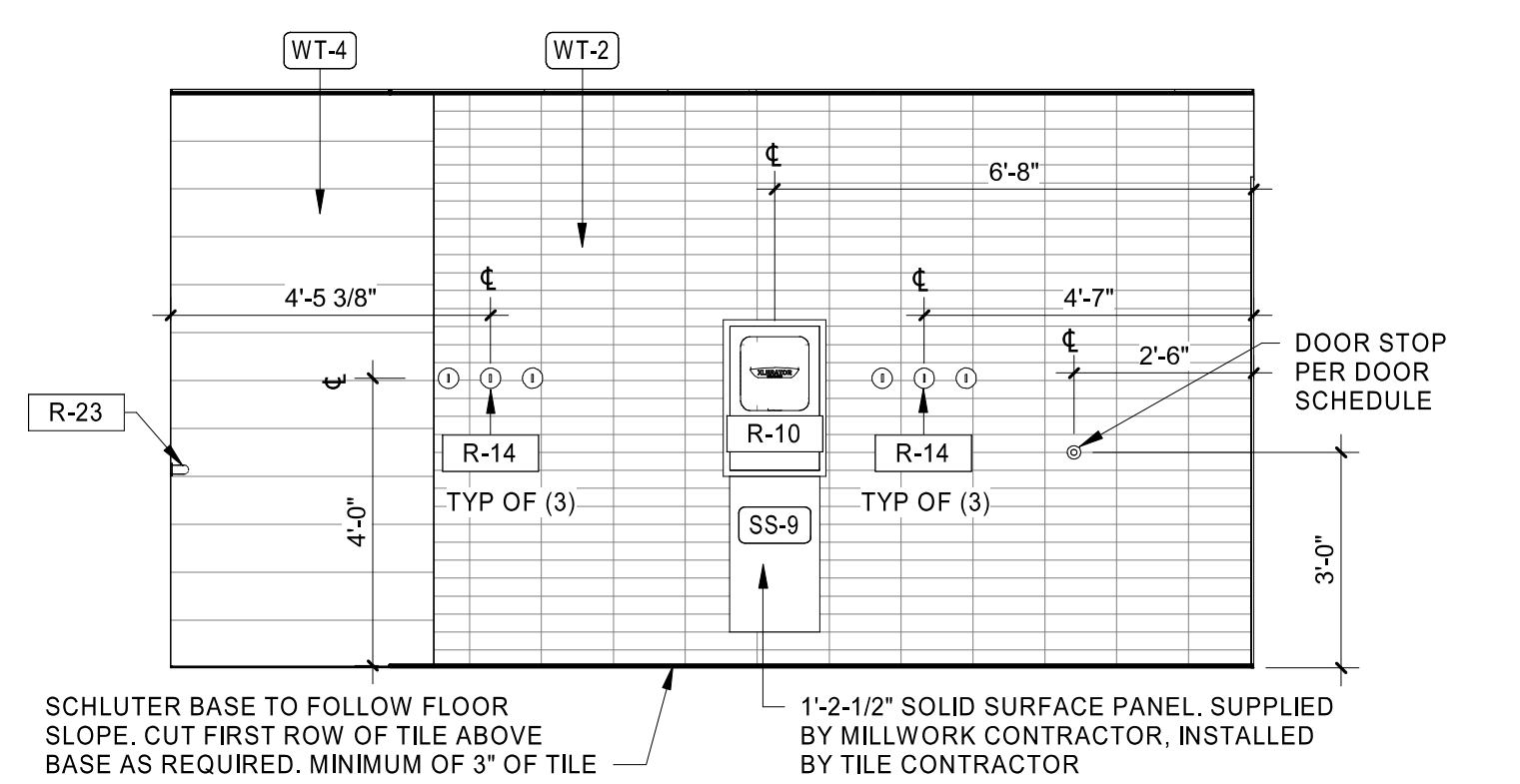


18 ALT. SHOWER BLOCKING ELEVATION
3/8" = 1'-0"

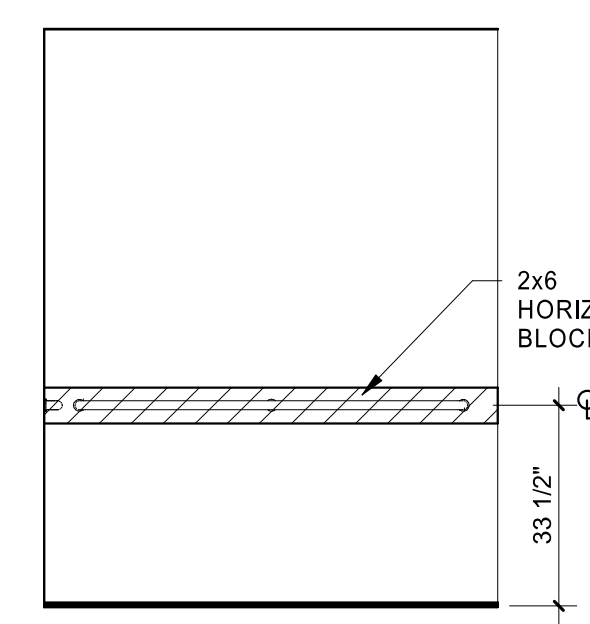
PROVIDE CUSTOM BUILDING PRODUCTS "RED GUARD" WATERPROOFING MEMBRANE. CONTINUOUS ON ALL SIDES OF RECESSED SHOWER SHELF AND ADJACENT SUBSTRATE. INSTALL MEMBRANE AND SHELF PER MANUFACTURER'S RECOMMENDATIONS FOR WATERPROOF SYSTEM



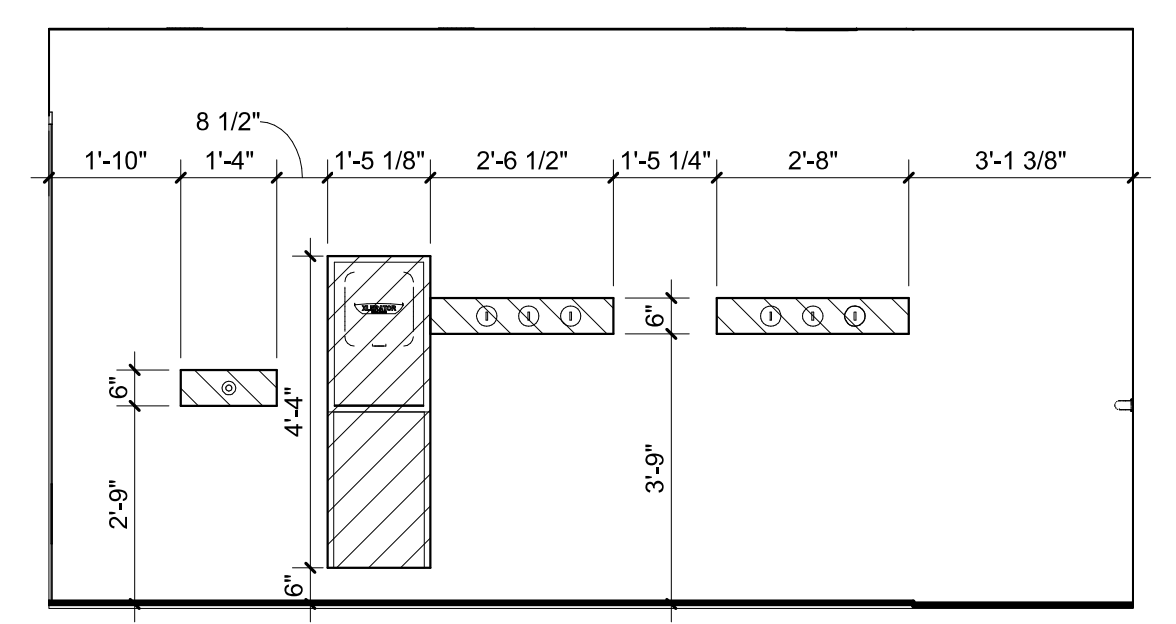
14 RECESSED SHELF PLAN
3" = 1'-0"



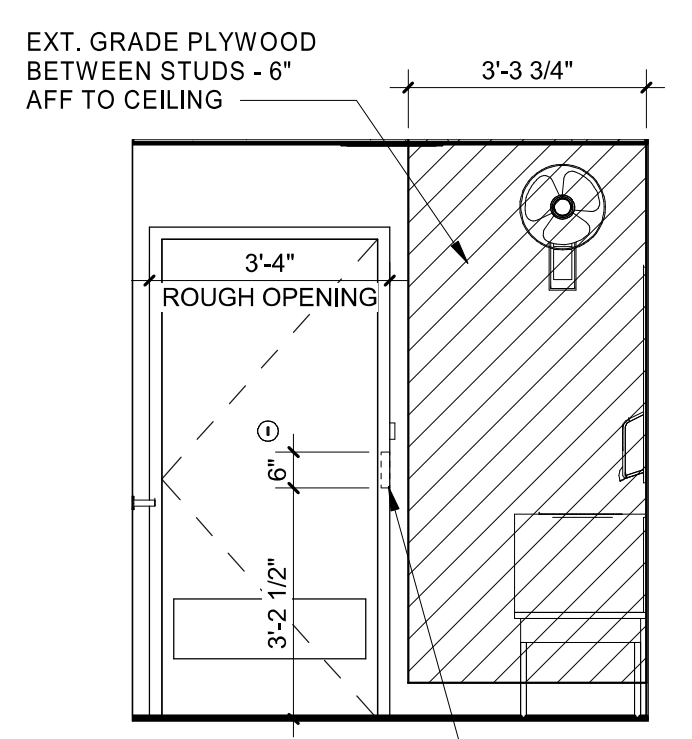
13 ALT SHOWER ELEVATION
3/8" = 1'-0"



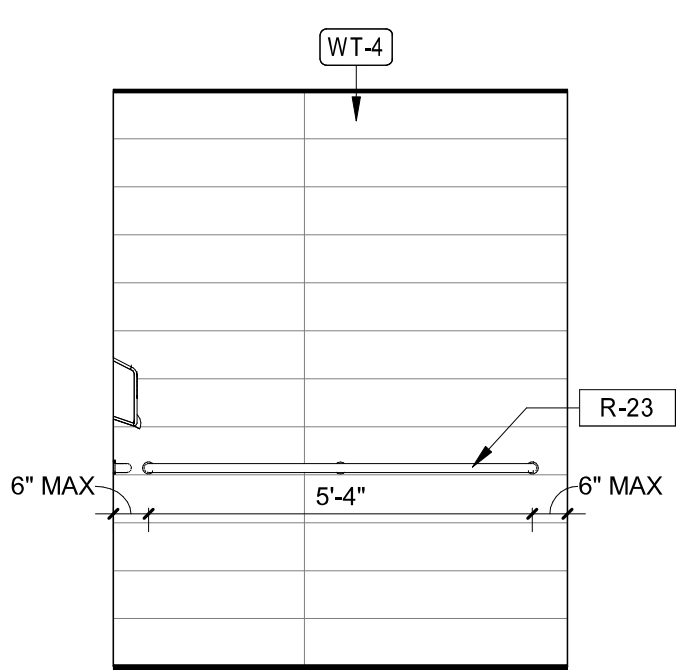
9 SHOWER BLOCKING ELEVATION
3/8" = 1'-0"



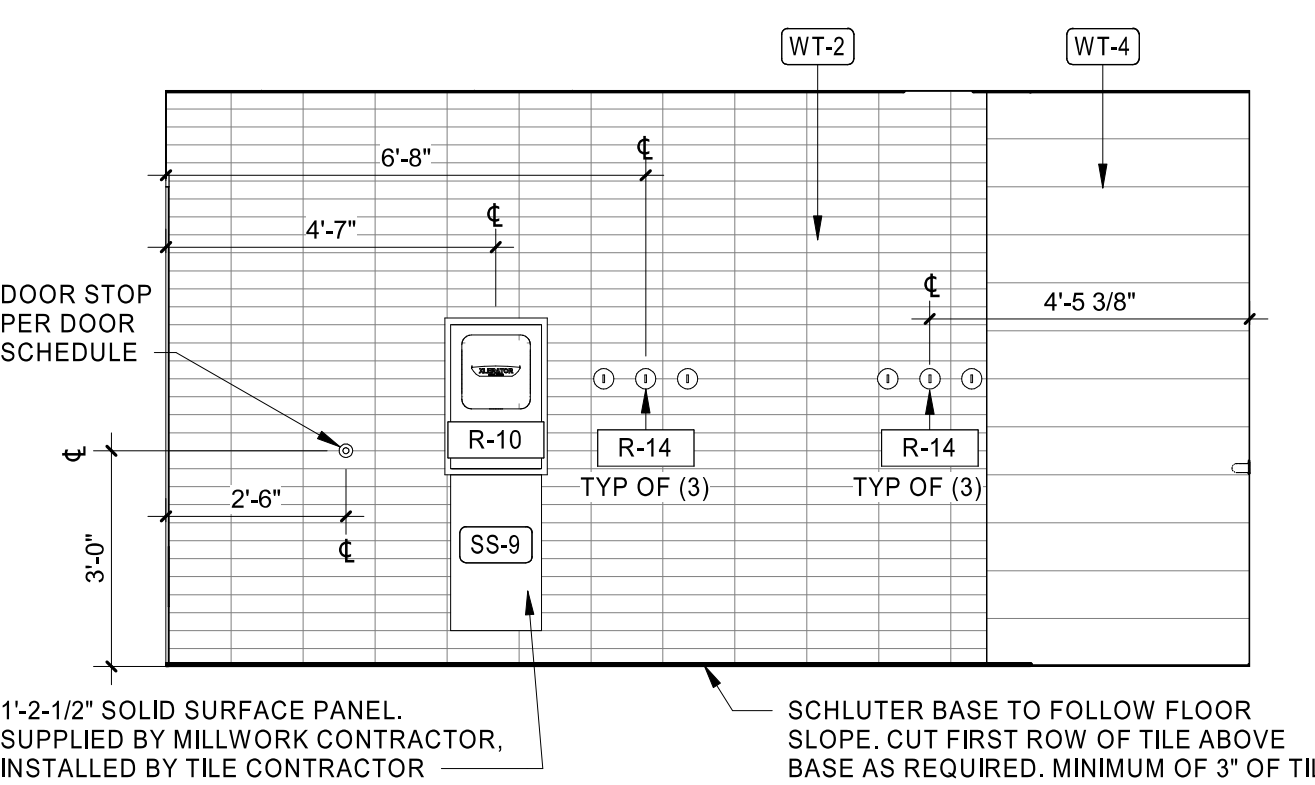
8 SHOWER BLOCKING ELEVATION
3/8" = 1'-0"



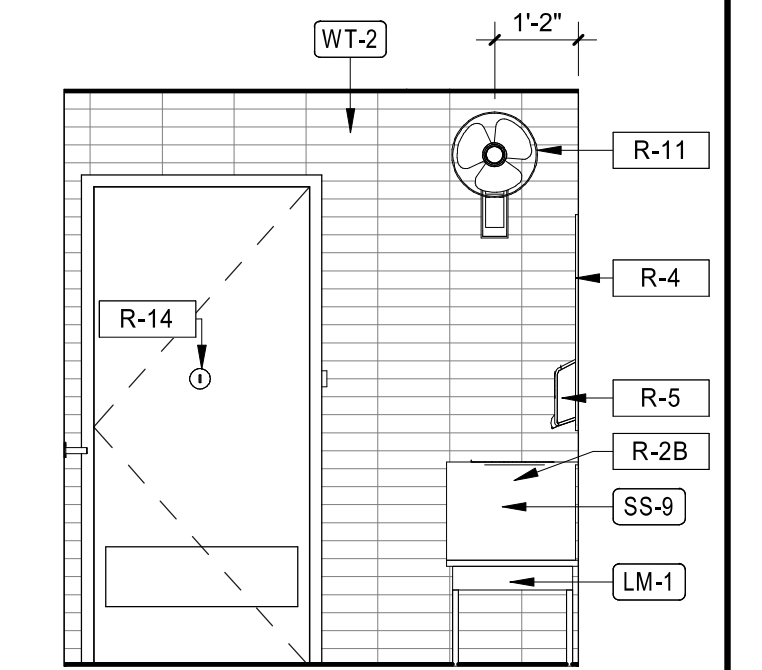
7 SHOWER BLOCKING ELEVATION
3/8" = 1'-0"



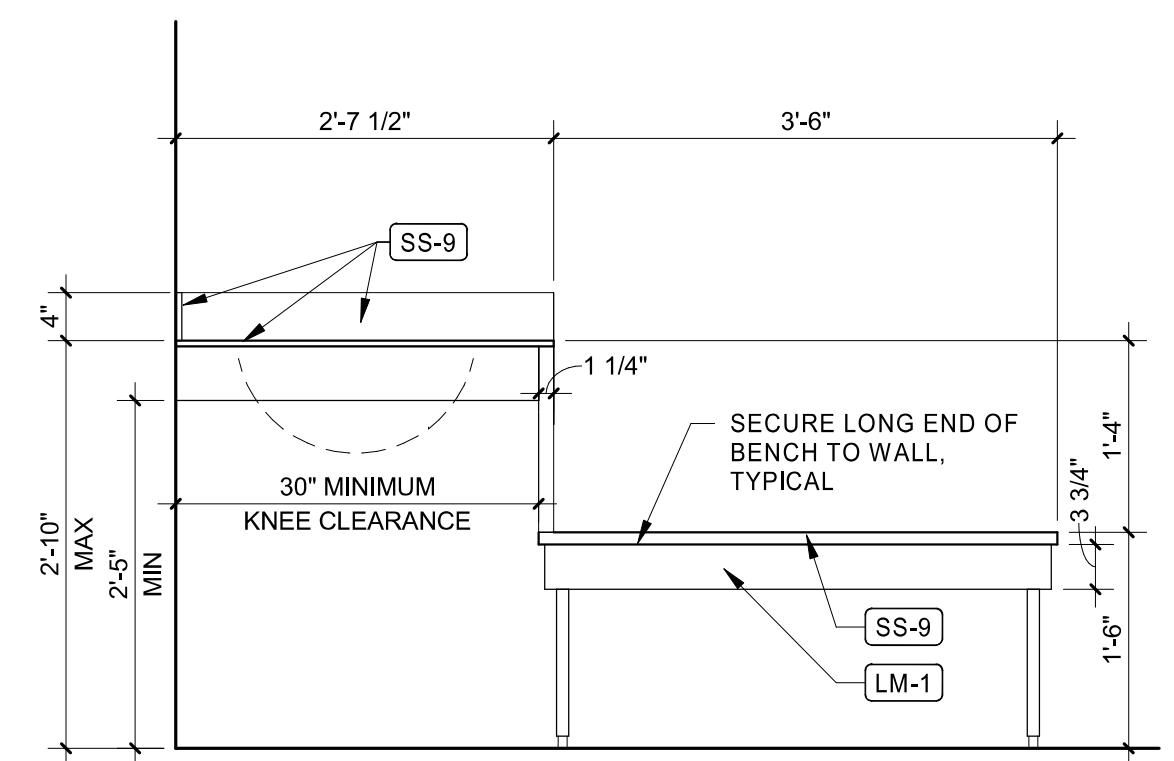
3 SHOWER ELEVATION
3/8" = 1'-0"



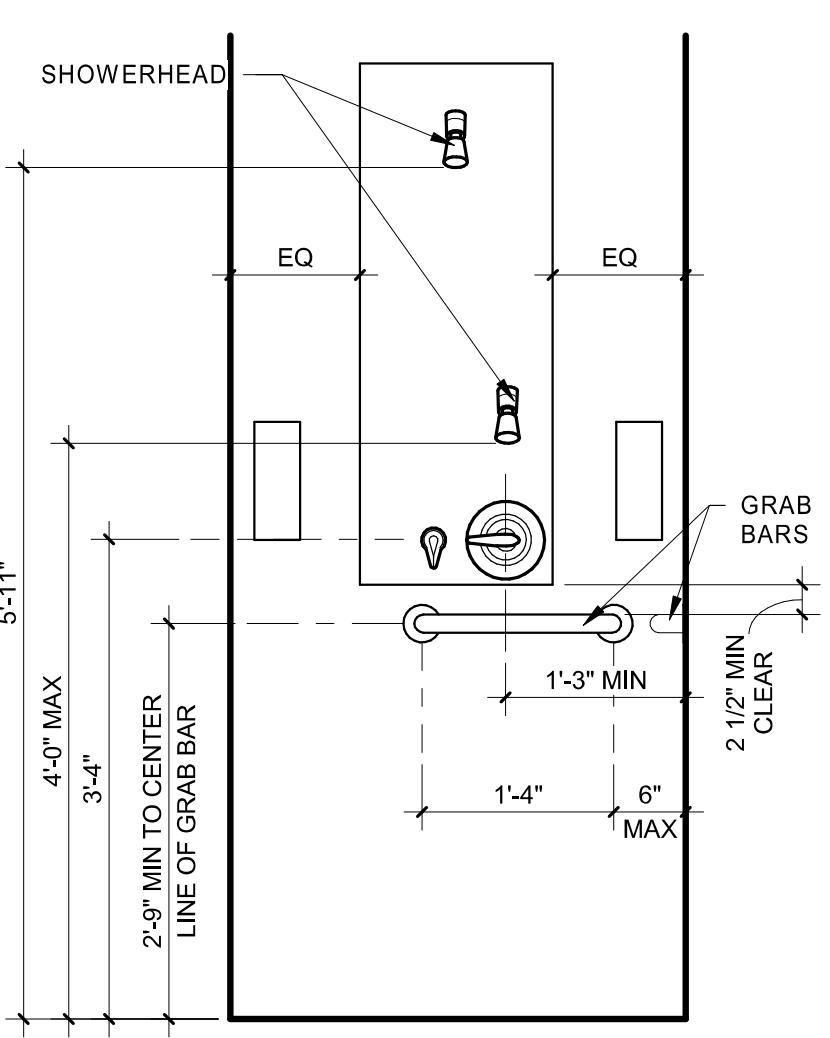
2 SHOWER ELEVATION
3/8" = 1'-0"



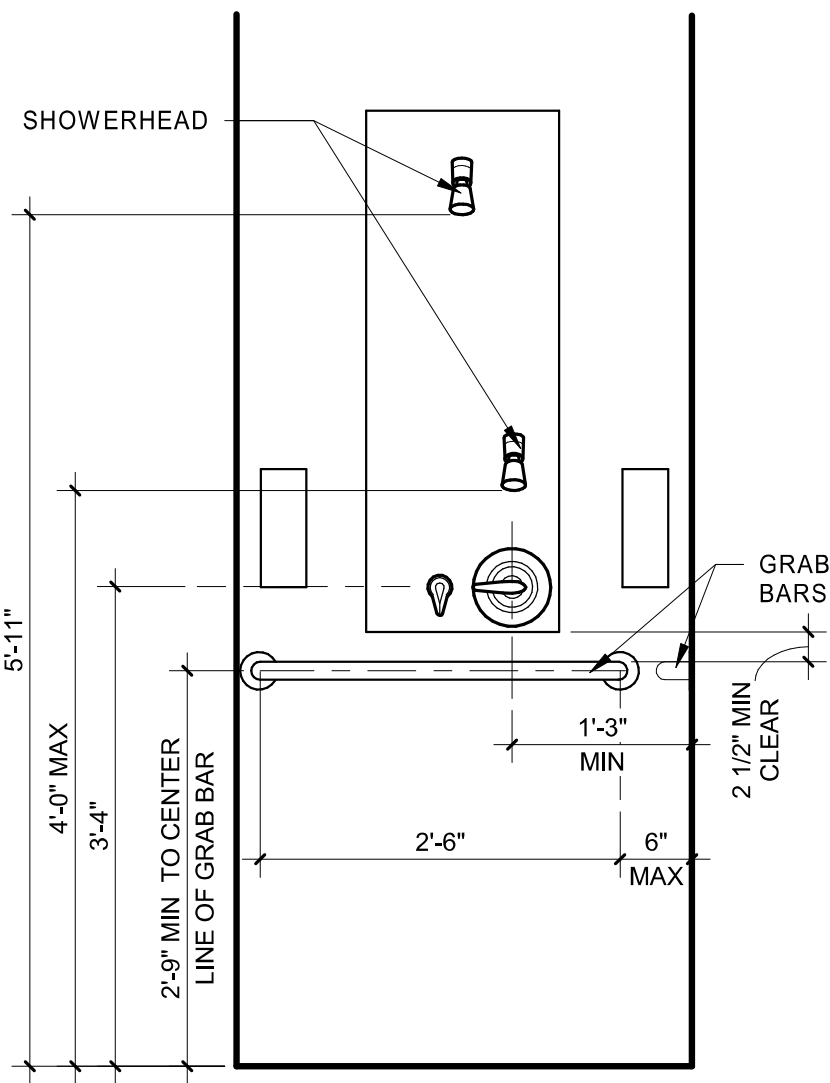
1 SHOWER ELEVATION
3/8" = 1'-0"



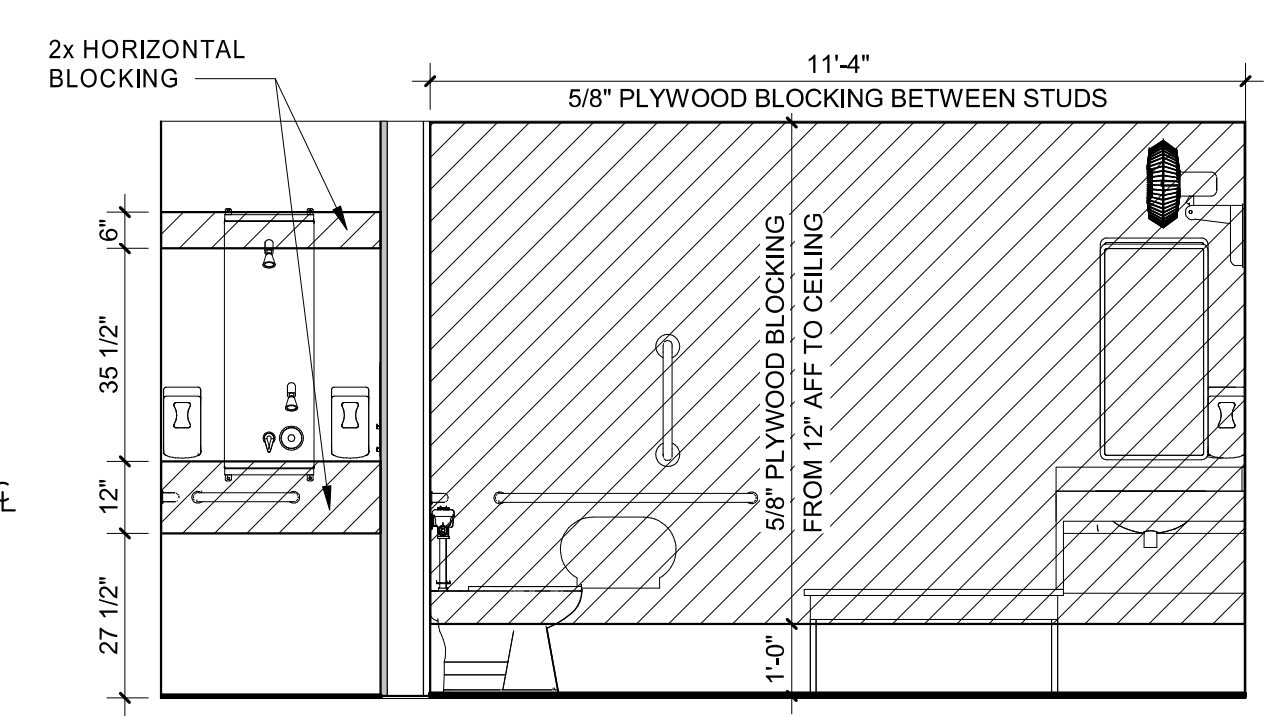
15 SHOWER VANITY DETAIL
3/4" = 1'-0"



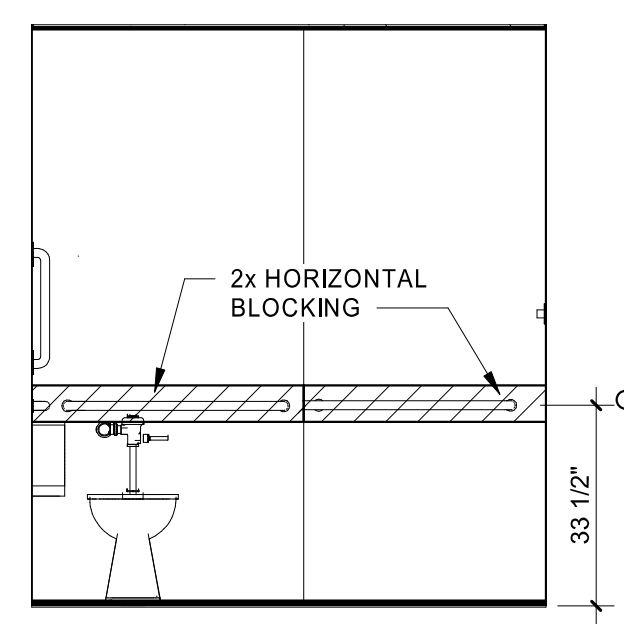
16 ACCESSIBLE SHOWER TOWER WITH SHOWER SEAT
3/4" = 1'-0"



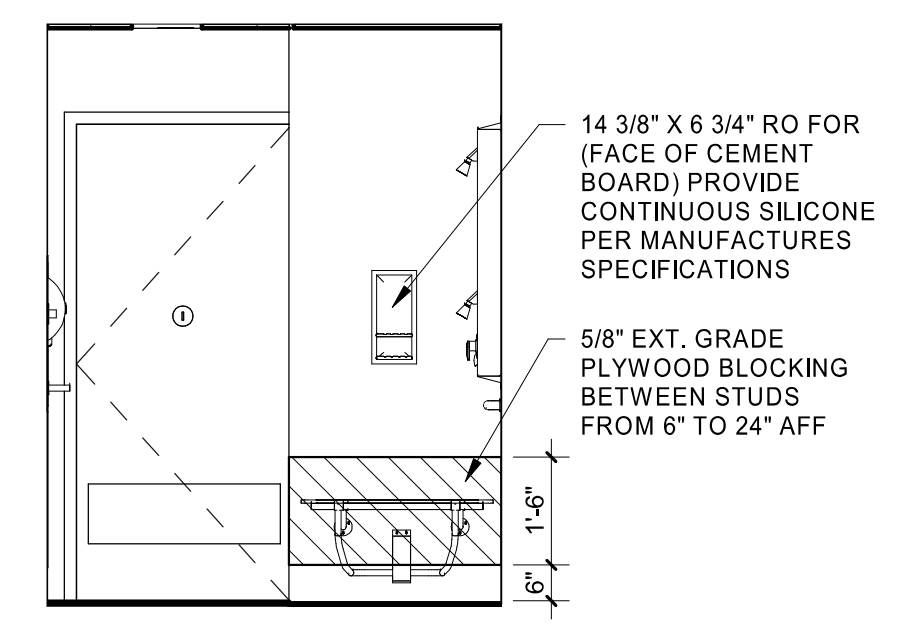
17 STANDARD SHOWER TOWER
3/4" = 1'-0"



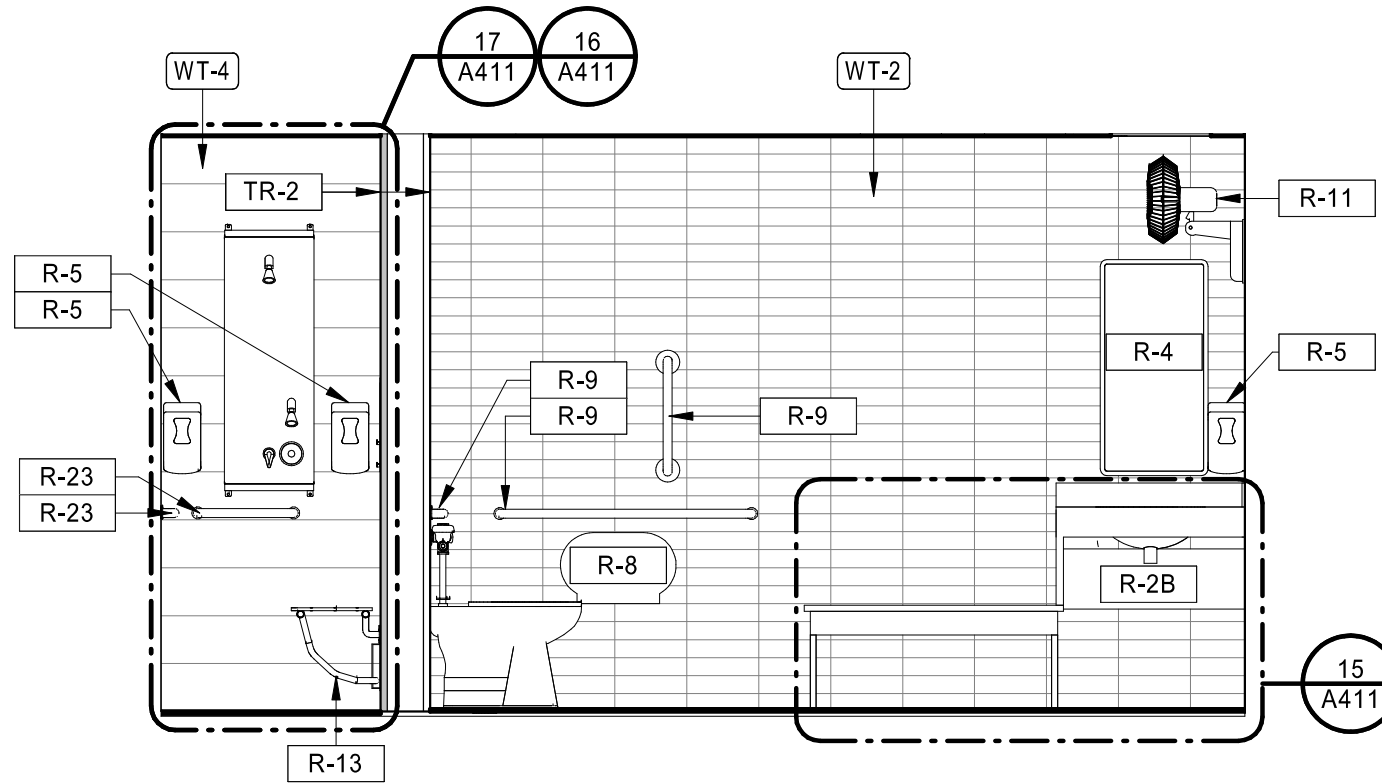
10 SHOWER BLOCKING ELEVATION
3/8" = 1'-0"



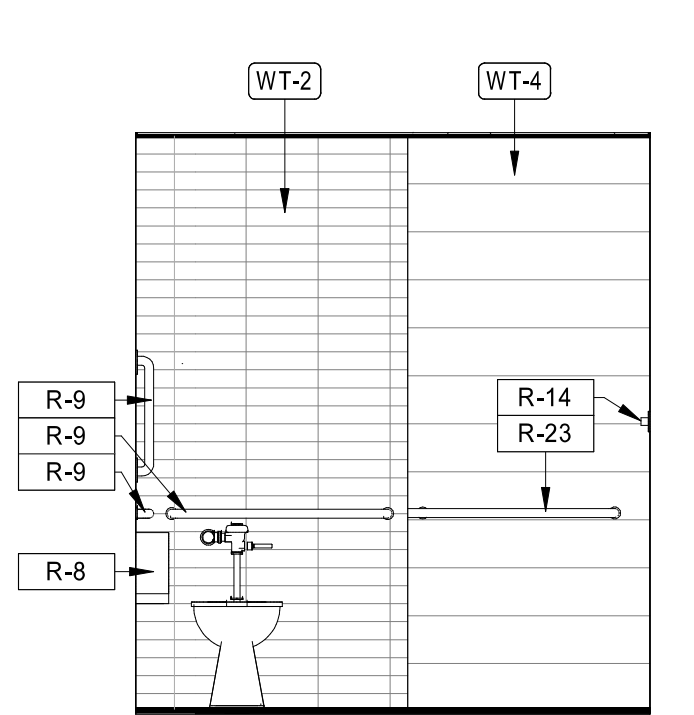
11 SHOWER BLOCKING ELEVATION
3/8" = 1'-0"



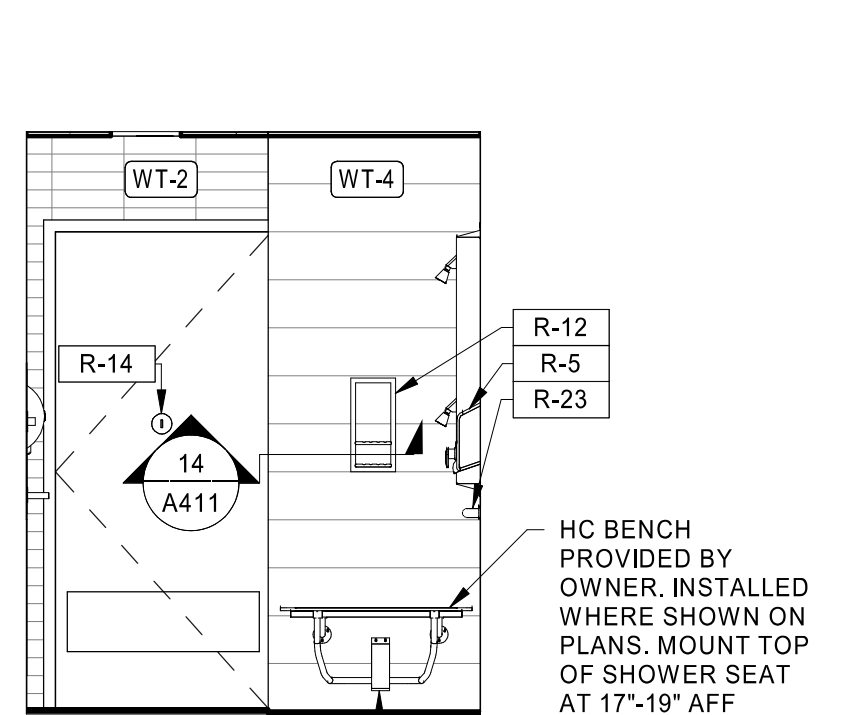
12 SHOWER BLOCKING ELEVATION
3/8" = 1'-0"



4 SHOWER ELEVATION
3/8" = 1'-0"



5 SHOWER ELEVATION
3/8" = 1'-0"



6 SHOWER ELEVATION
3/8" = 1'-0"

02/06/23 9:56:10 AM
 C:\Users\mfrancis\OneDrive\Documents\2023\Bldg\Projects\Lowell_Nicholson_MS_A411_T1_180_01_HFA_Millwork\Project\NT
 3180-A411-SHOWER ELEVATIONS