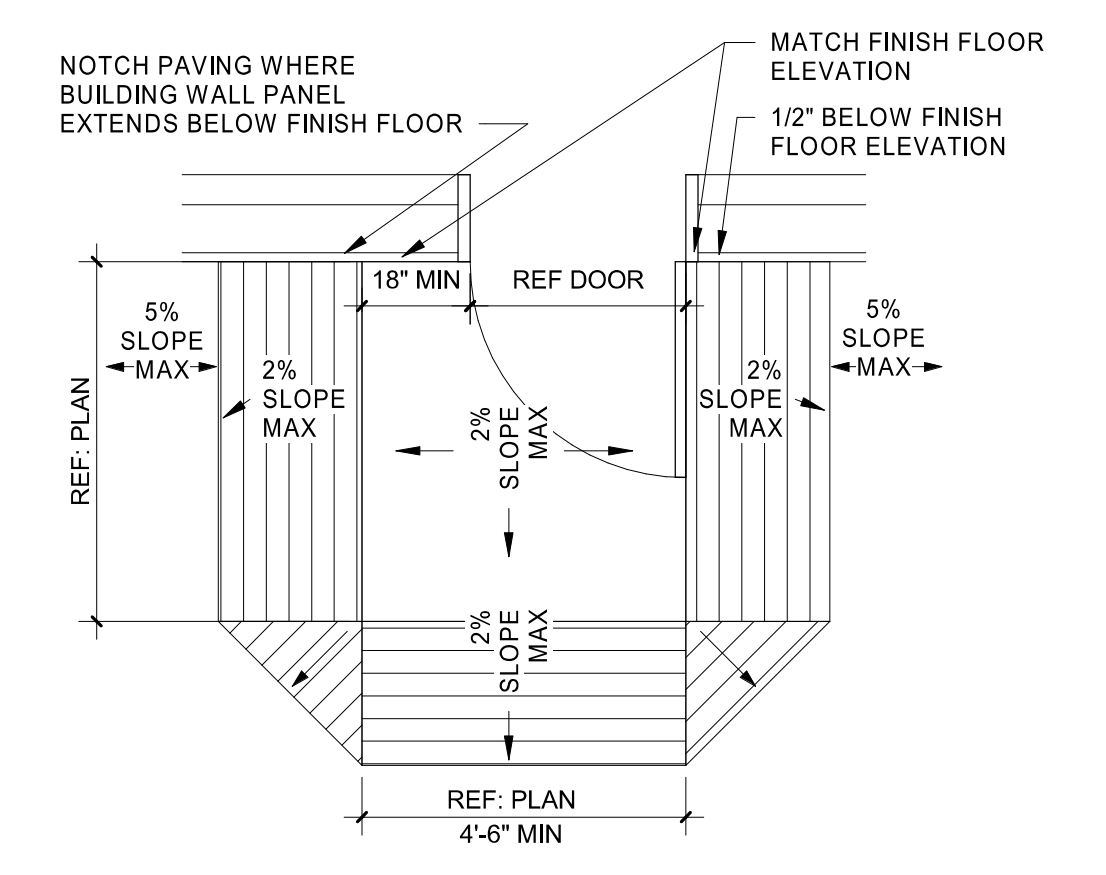
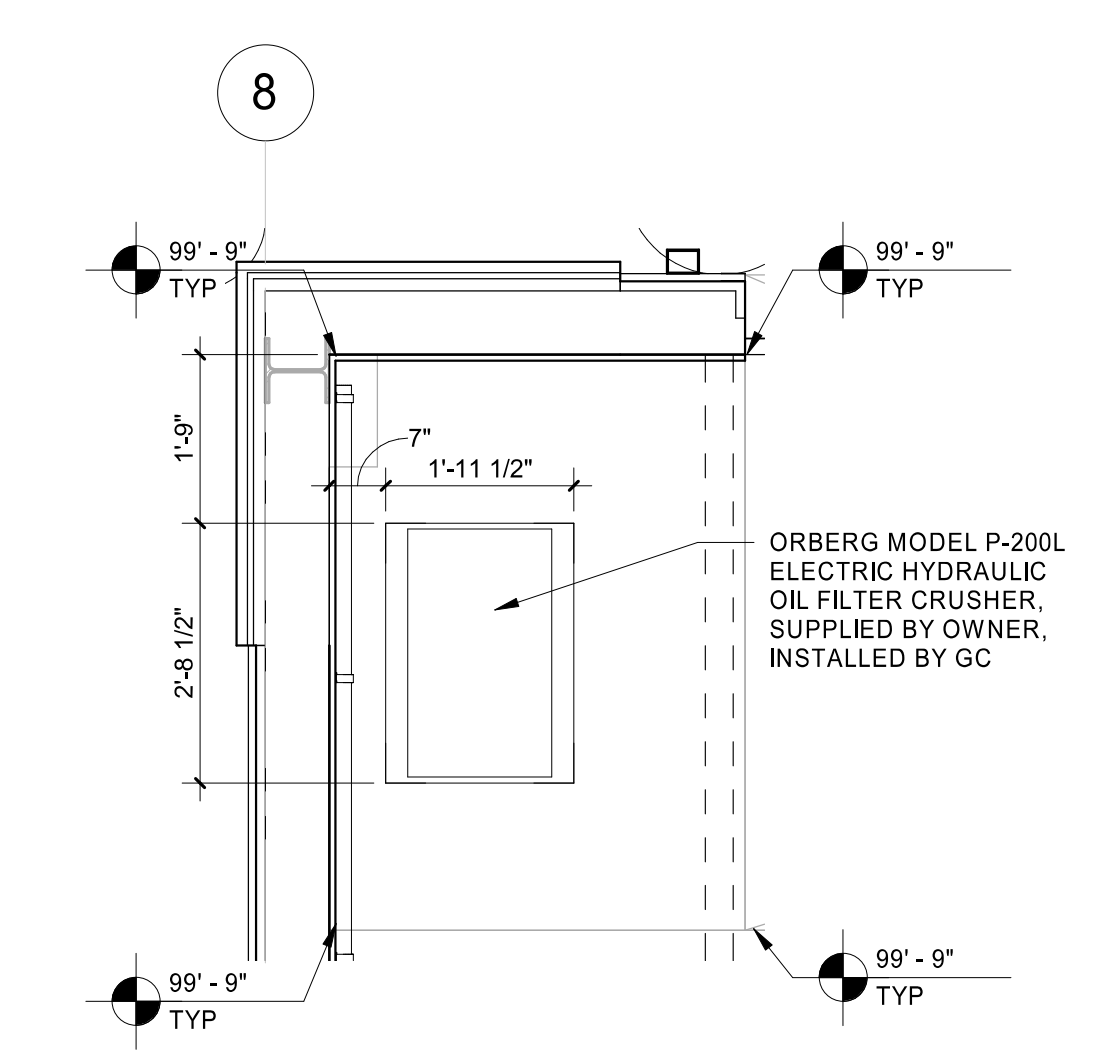


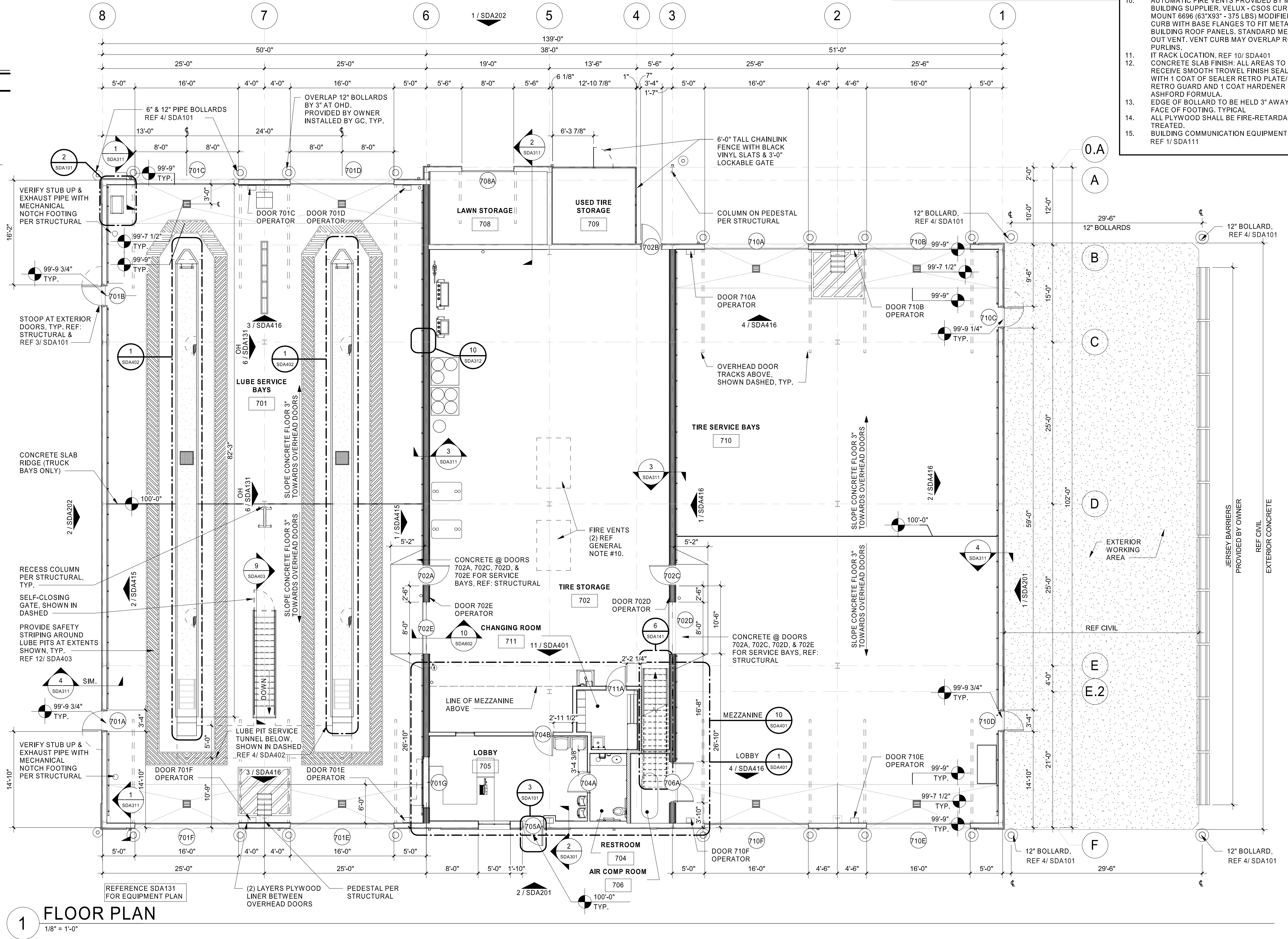
4 BOLLARD DETAIL
1/2" = 1'-0"



3 TYP. HANDICAP ACCESSIBLE DOORWAY
3/8" = 1'-0"



2 ENLARGED PLAN AT FILTER CRUSHER
1/2" = 1'-0"



1 FLOOR PLAN
1/8" = 1'-0"

- ITEMS PROVIDED BY:**
- LOVES PROVIDED/ GC INSTALLED:
 - DOOR HARDWARE
 - EXTERIOR/ INTERIOR SIGNAGE
 - MONITORS
 - TIRE RACKS
 - METAL BUILDING MANUFACTURER/ GC INSTALLED:
 - METAL BUILDING FRAMING
 - METAL BUILDING WALL/ROOF PANELS
 - WALL/ROOF INSTALLATION
 - METAL TRIM
 - SNOW GUARDS
 - MEZZANINE FRAMING
 - VENTILATION FANS
 - MELT OUT SMOKE VENTS (IF REQUIRED)
 - FIRE ROLL DOWN DOOR (IF REQUIRED)
 - FIRE ROLL DOWN SHUTTER (IF REQUIRED)
 - OVERHEAD DOOR(S)
 - HOLLOW METAL DOOR(S)
 - GENERAL CONTRACTOR:
 - MEZZANINE GUARD RAIL (FENCE) & DECKING
 - WINDOWS
 - STOREFRONT DOORS
 - INTERIOR PARTITIONS (MTL STUD W/ GYP. BD.)
 - FIRE DETECTION SYSTEM
 - "PRECISION LADDERS" STAIRS W/ GUARD & HANDRAIL
 - ANCHOR BOLTS AND ACCESSORIES, REF STRUCTURAL

- GENERAL NOTES**
- METAL BUILDING SUPPLIER TO PROVIDE A CONTINUOUS WALL GIRT LOCATED 54" AFF AT ALL WALLS.
 - METAL BUILDING SUPPLIER TO PROVIDE ALL NICHHA PRE-FINISHED METAL TRIM. ALL METAL BUILDING PRE-FINISHED METAL TRIM, GUTTERS, AND DOWNSPOUTS TO BE GALLERY BLUE.
 - ALL OUTSIDE METAL WALL PANELS TO BE REVERSED METAL WALL PANELS.
 - METAL BUILDING SUPPLIER TO PROVIDE CONTINUOUS ANGLES @ BASE OF WALLS FOR EXTERIOR WALL PANELS & INTERIOR (PLYWOOD) PANELS.
 - METAL BUILDING SUPPLIER TO PROVIDE ALL BATT INSULATION, REF 1/ SDA311
 - BATT INSULATION AT INTERIOR PARTITIONS AND BELOW MEZZANINE BY GC
 - GC SHALL PAINT ALL BOLLARDS TO BE SAFETY YELLOW. PMS 2-1-7-C
 - METAL BUILDING SUPPLIER TO PROVIDE VERTICAL RED STEEL FRAMING ALONG ALL DOOR JAMBS & HORIZONTAL RED STEEL FRAMING ALONG ALL DOOR HEADS.
 - PRE-ENGINEERED METAL BUILDING PROVIDED BY OWNER.
 - AUTOMATIC FIRE VENTS PROVIDED BY METAL BUILDING SUPPLIER. VELUX - CSOS CURB MOUNT 666 (63"x93" - 375 LBS) MODIFIED CURB WITH BASE FLANGES TO FIT METAL BUILDING ROOF PANELS. STANDARD MELT OUT VENT. VENT CURB MAY OVERLAP ROOF PURLINS.
 - IT RACK LOCATION, REF 10/ SDA401
 - CONCRETE SLAB FINISH: ALL AREAS TO RECEIVE SMOOTH TROWEL FINISH SEALED WITH 1 COAT OF SEALER RETRO FINISH SEALED/ RETRO GUARD AND 1 COAT HARDENER ASHFORD FORMULA.
 - EDGE OF BOLLARD TO BE HELD 3" AWAY FROM FACE OF FOOTING. TYPICAL
 - ALL PLYWOOD SHALL BE FIRE-RETARDANT TREATED
 - BUILDING COMMUNICATION EQUIPMENT. REF 1/ SDA111

HFA
HARRISON FRENCH
& ASSOCIATES, PLLC
t 479.273.7780
1705 S. Walton Blvd., Suite 3
Bentonville, Arkansas 72712
www.hfa-ac.com

STIPULATION FOR REUSE
THIS DRAWING IS THE PROPERTY OF HFA & ASSOCIATES, PLLC. IT IS TO BE USED ONLY FOR THE PROJECT AND SITE SPECIFICALLY IDENTIFIED HEREIN. IT IS NOT TO BE REPRODUCED, COPIED, OR TRANSMITTED IN ANY FORM OR BY ANY MEANS, ELECTRONIC OR MECHANICAL, INCLUDING PHOTOCOPYING, RECORDING, OR BY ANY INFORMATION STORAGE AND RETRIEVAL SYSTEM, WITHOUT THE WRITTEN PERMISSION OF HFA & ASSOCIATES, PLLC.

Loves
STORE NUMBER: 860
I-59, EXIT 1
NICHOLSON, MS 39466
JOB NUMBER: 03-23-2009

ISSUE BLOCK

NO.	DATE	DESCRIPTION

CHECKED BY: MAP
DRAWN BY: ASE
DOCUMENT DATE: 02/06/23
PROTO: SPEEDCO_4 BAY
PROTO CYCLE: Q4 - 2022

REGISTERED ARCHITECT
BOGUE L. EBBRECHT
4925
STATE OF MISSISSIPPI
Bogue Louis Ebbrecht
4925
1556 42-0007

SPEEDCO FLOOR PLAN

SHEET:
SDA101