

STIPULATION FOR REUSE
 THE DRAWINGS HAVE BEEN PREPARED FOR USE ON A SPECIFIC PROJECT AT THE LOCATION AND CONDITIONS SPECIFICALLY IDENTIFIED HEREIN. THIS DRAWING IS NOT TO BE REUSED FOR ANY OTHER PROJECT WITHOUT THE WRITTEN CONSENT OF HARRISON FRENCH & ASSOCIATES, L.T.D. ANY REUSE OF THIS DRAWING FOR ANY OTHER PROJECT WITHOUT THE WRITTEN CONSENT OF HARRISON FRENCH & ASSOCIATES, L.T.D. IS PROHIBITED AND MAY BE CONSIDERED TO BE A VIOLATION OF THE LAW.

Loves
 STORE NUMBER: 860
 I-59, EXIT 1
 NICHOLSON, MS 39466
 JOB NUMBER: 03-23-30009
 SPEEDCO_4_BAY

ISSUE BLOCK

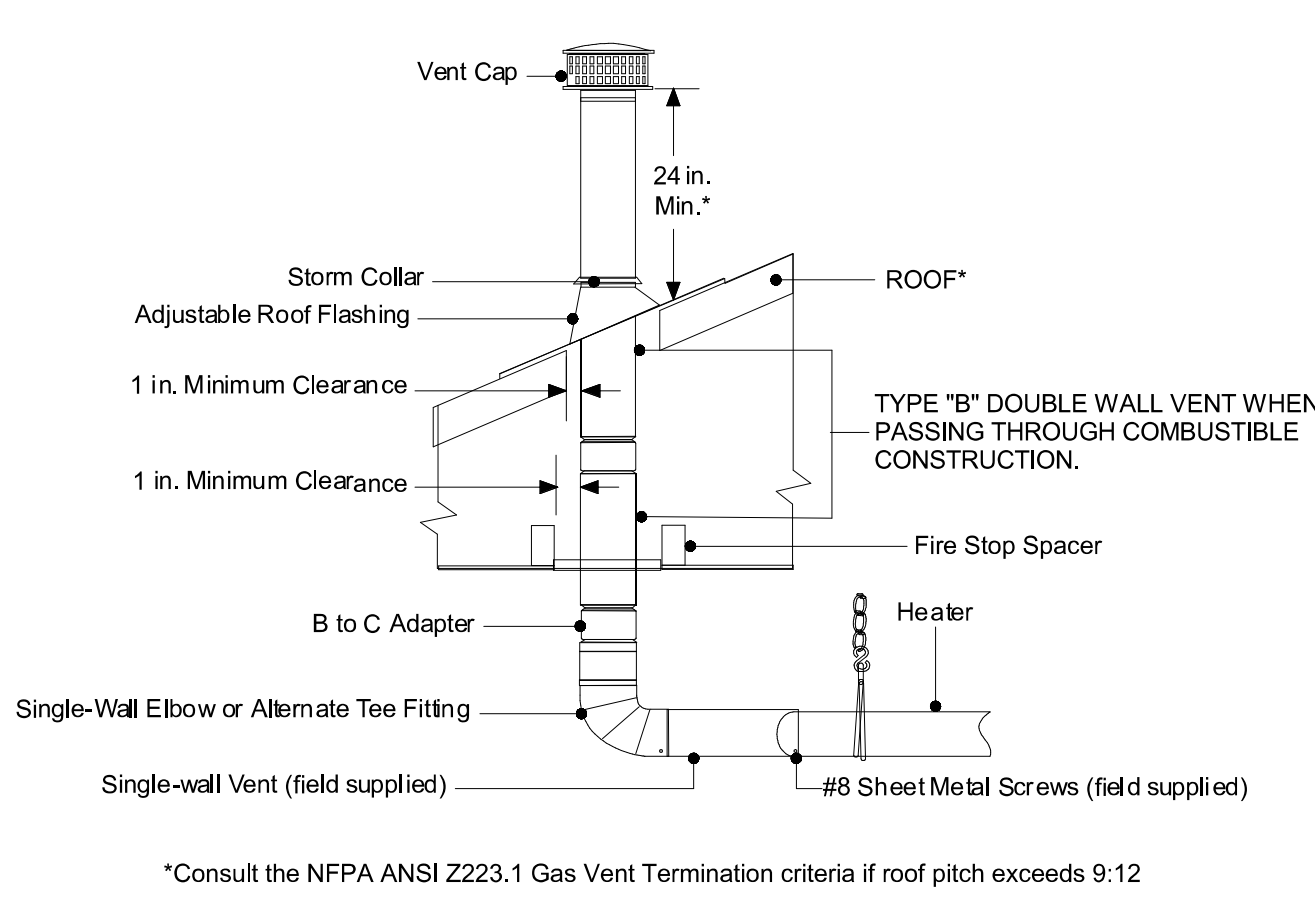
CHECKED BY: JKR
 DRAWN BY: PRC
 DOCUMENT DATE: 2/7/2023
 PROTO: SPEEDCO_4 BAY
 PROTO CYCLE: Q4 - 2022



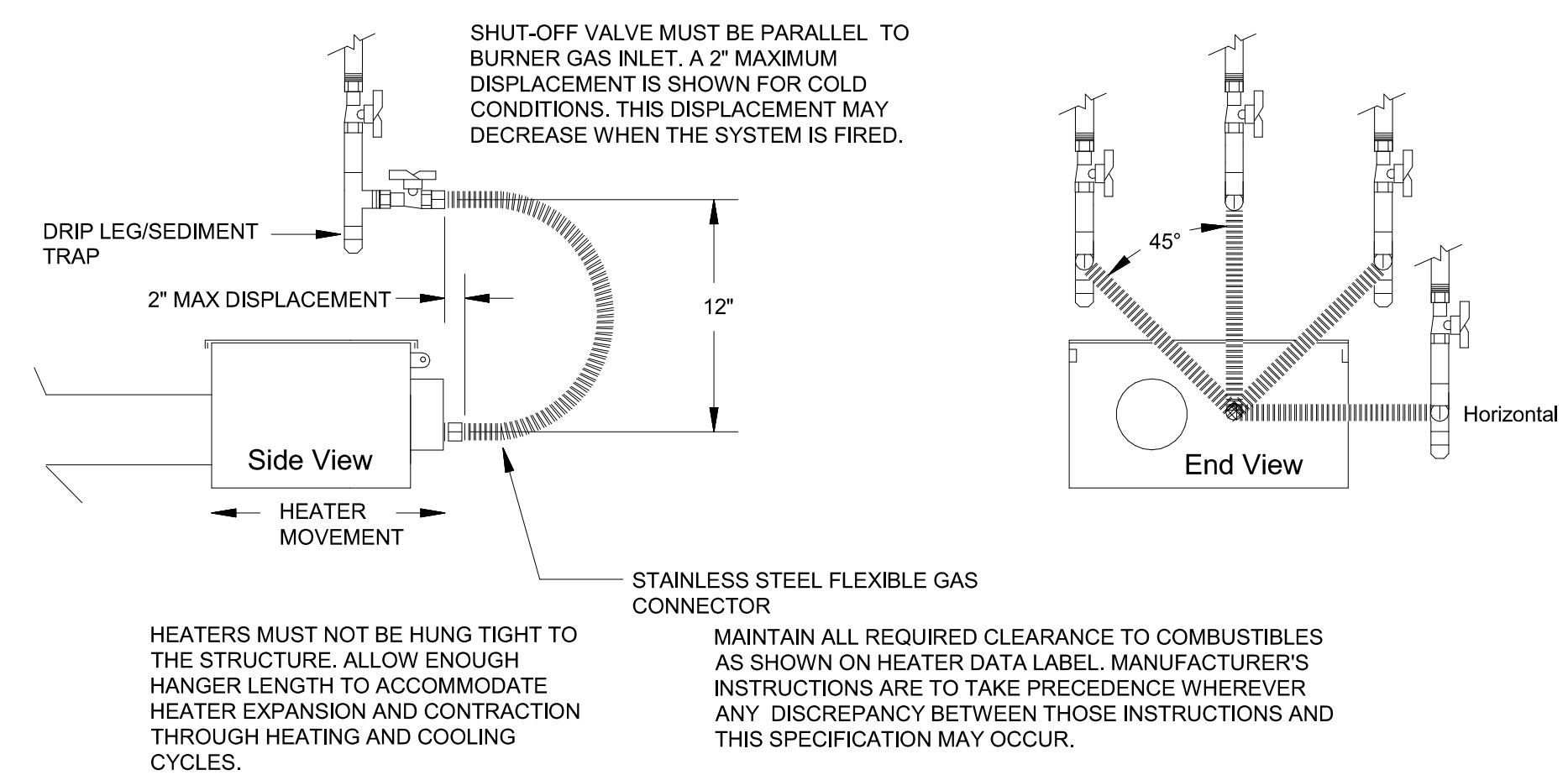
2023.02.07 13:35:15-06'00"

**MECHANICAL
 DETAILS**

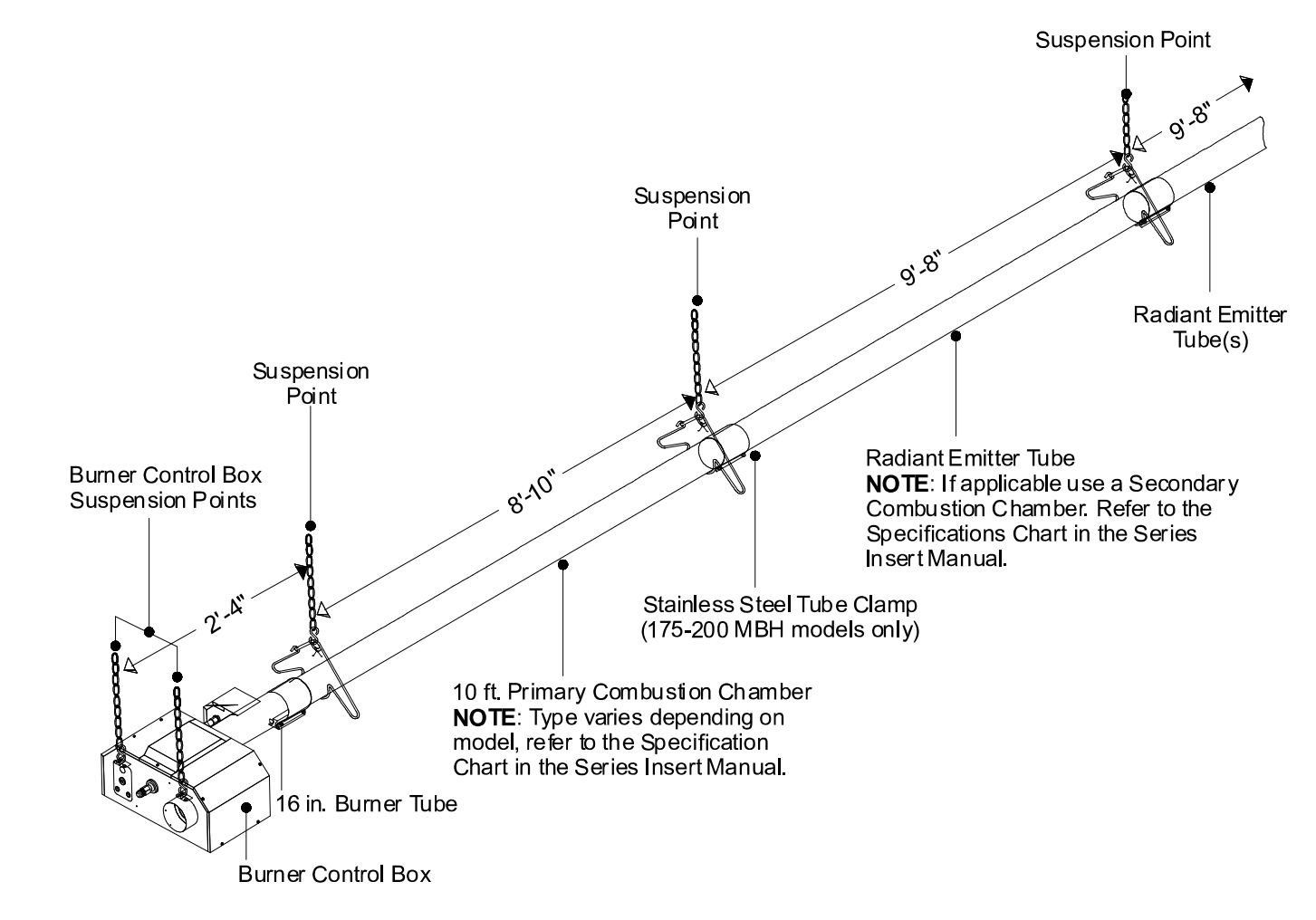
SHEET:
SDM301



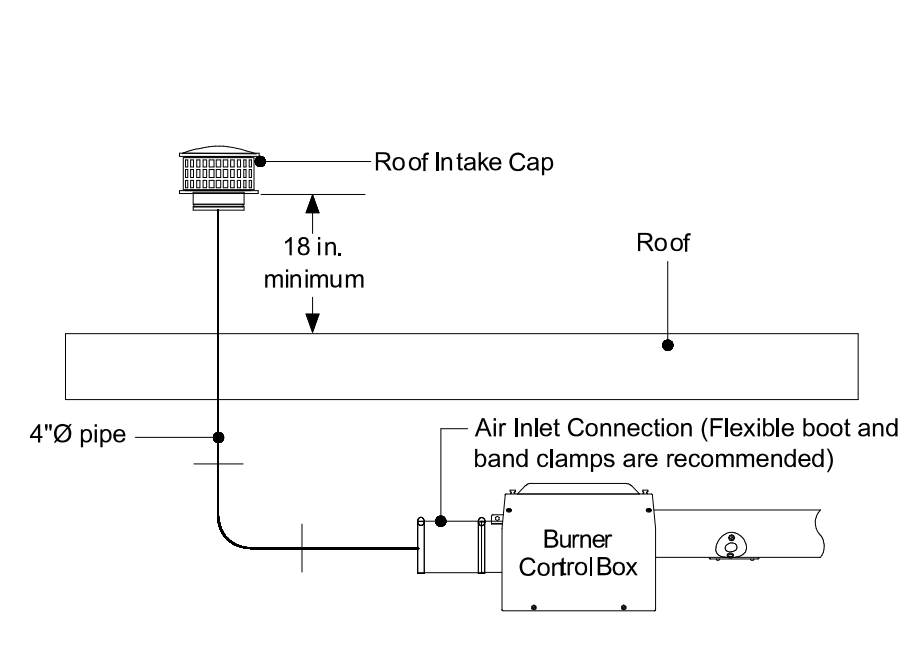
1 GENERAL VENTING SCHEMATIC
 NTS



2 TYPICAL GAS CONNECTION
 NTS



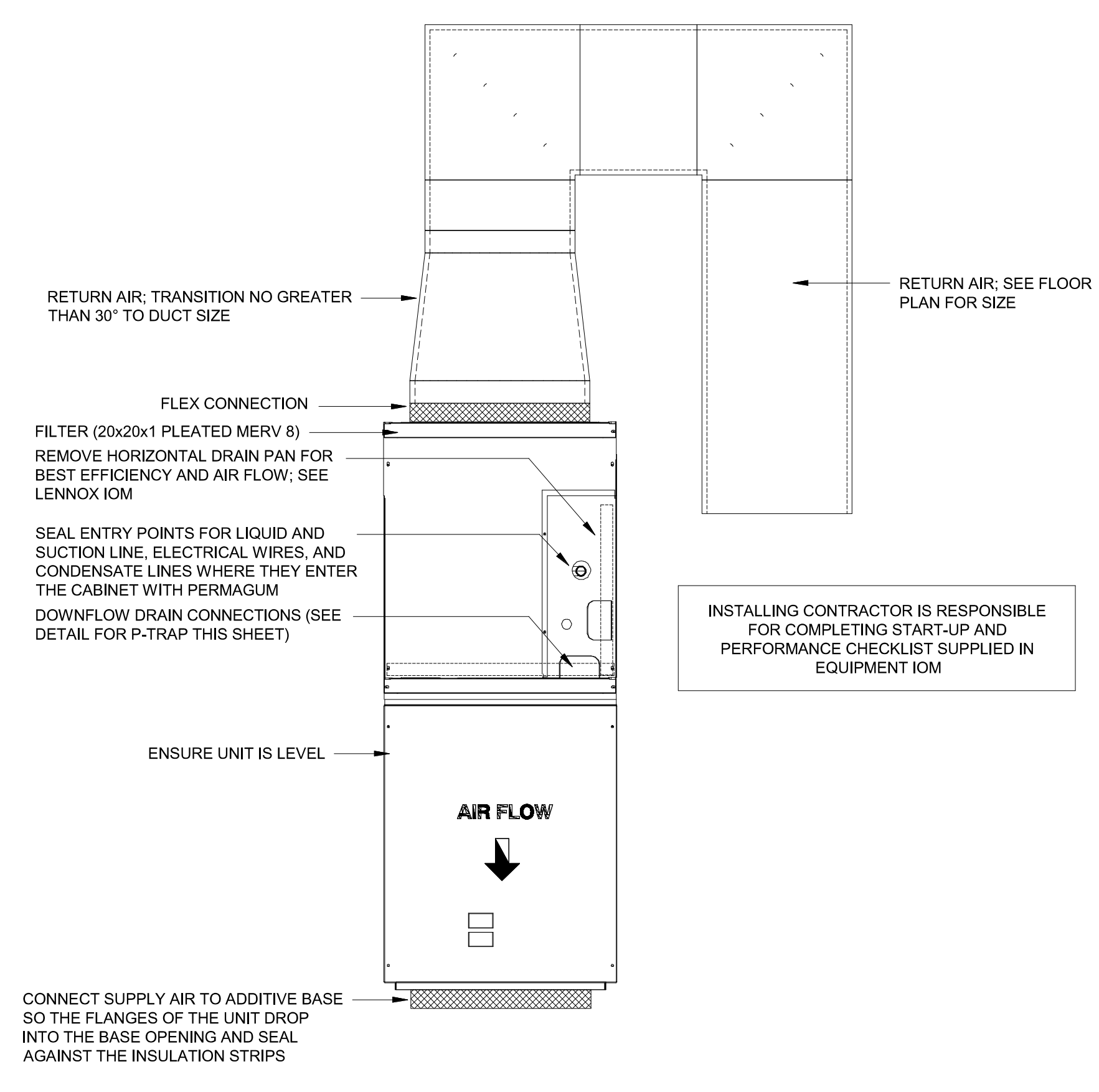
3 TYPICAL HEATER HANGER DETAILS
 NTS



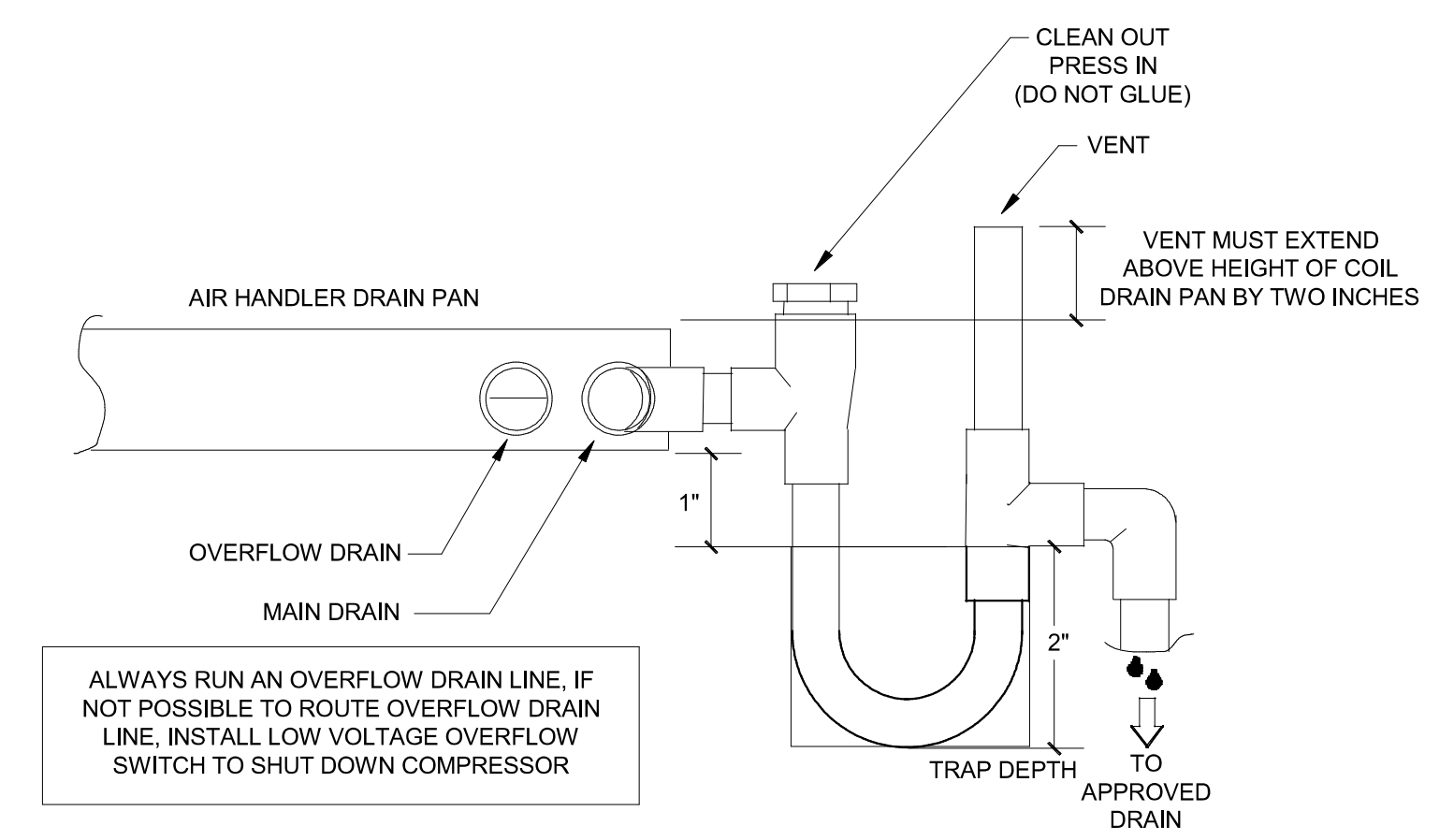
4 COMBUSTION AIR INTAKE DETAIL
 NTS

- Non-contaminated outside air for combustion must be ducted
- Chemicals such as chlorinated or -orinated hydrocarbons (typ adhesives, degreasers, paints, paint removers, lubricants, pestic
 - High humidity.
 - Contaminants such as sawdust, welding smoke, etc.
 - Negative building pressure.
 - Unusually tight construction where there is an air infiltration rate
- Combustion air intake may be located on either the sidewall or roof

**Figure 3.27
 Vertical Outside Air Supply for
 Single Heater Intake - Side View**



5 DOWNFLOW AIR HANDLING UNIT DETAIL
 NTS



6 DRAW-THROUGH UNIT CONDENSATE DRAIN TRAP
 NTS

2/20/23 10:35:15 AM
 C:\Users\jprick\OneDrive\Documents\2023 Rev\Project\Lowell_Nicholson_MS_MEP_SPEEDCO_4B_QT1_MFA_Plan\MECH\MECH\DETAILS
 R000-SDM301-MECHANICAL-DETAILS