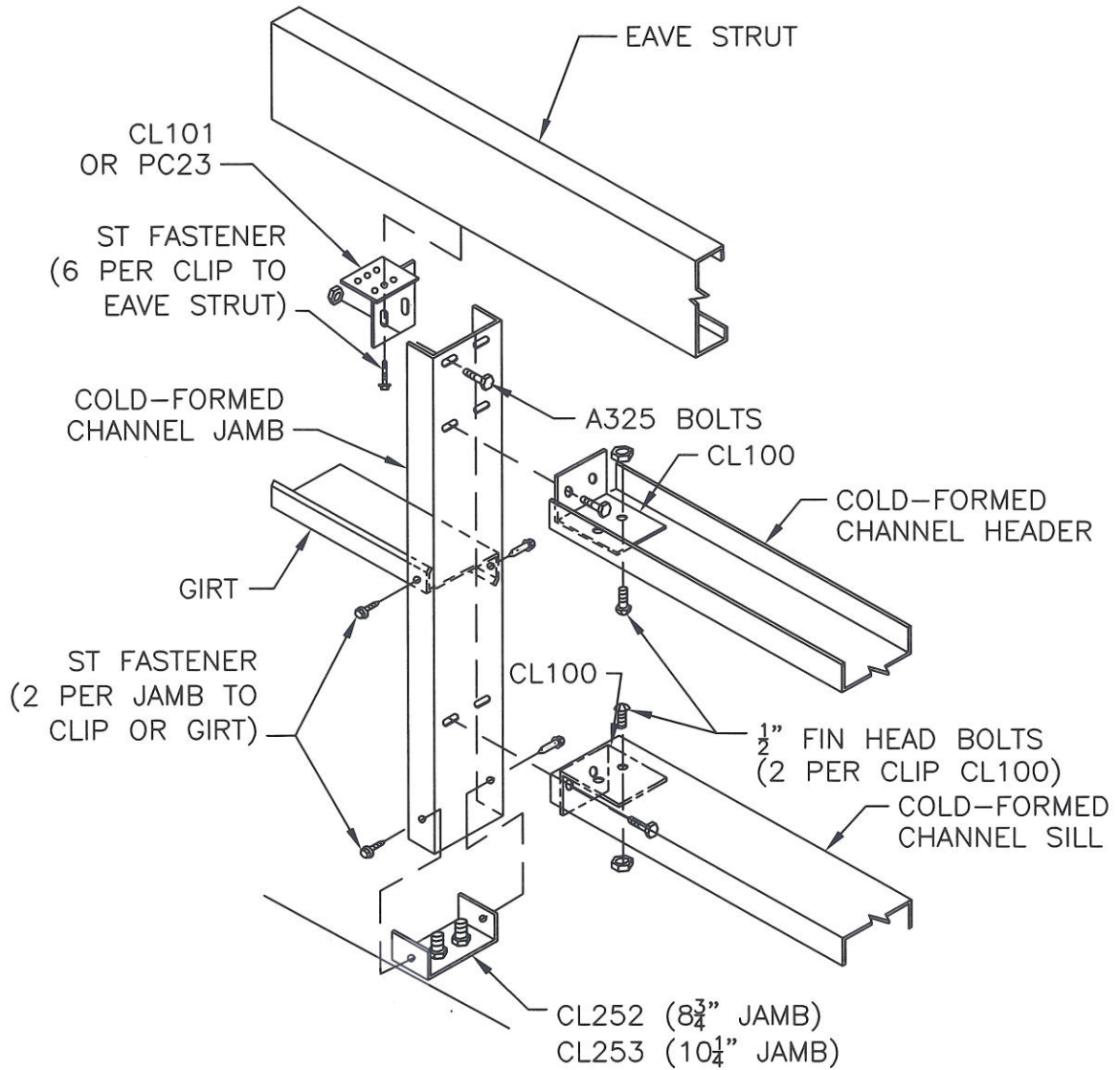


FOUR SIDED FRAMED OPENING
JAMB AT FLOOR TO EAVE STRUT
(HEADER AND SILL WITH CL100)

SHT. NO. AC01042	
DATE FEB. 05	REV. 00

FRAMED OPENING WIDTH GREATER THAN 7'-0"



SEE ELEVATION DRAWINGS FOR OPENING
LOCATION AND PIECE MARKS.