

HUBBELL WIRING DEVICE-KELLEMS

ORDERING INFORMATION

Description	Color	Catalog Number
USB Charger Tamper-Resistant Receptacle	Black	USB15X2BK
Two USB Type 2.0 Ports 3 Amp, 5 Volt DC	Gray	USB15X2GY
15 Amp, 125 Volt AC Decorator Duplex	Ivory	USB15X2I
	Light Almond	USB15X2LA
	White	USB15X2W

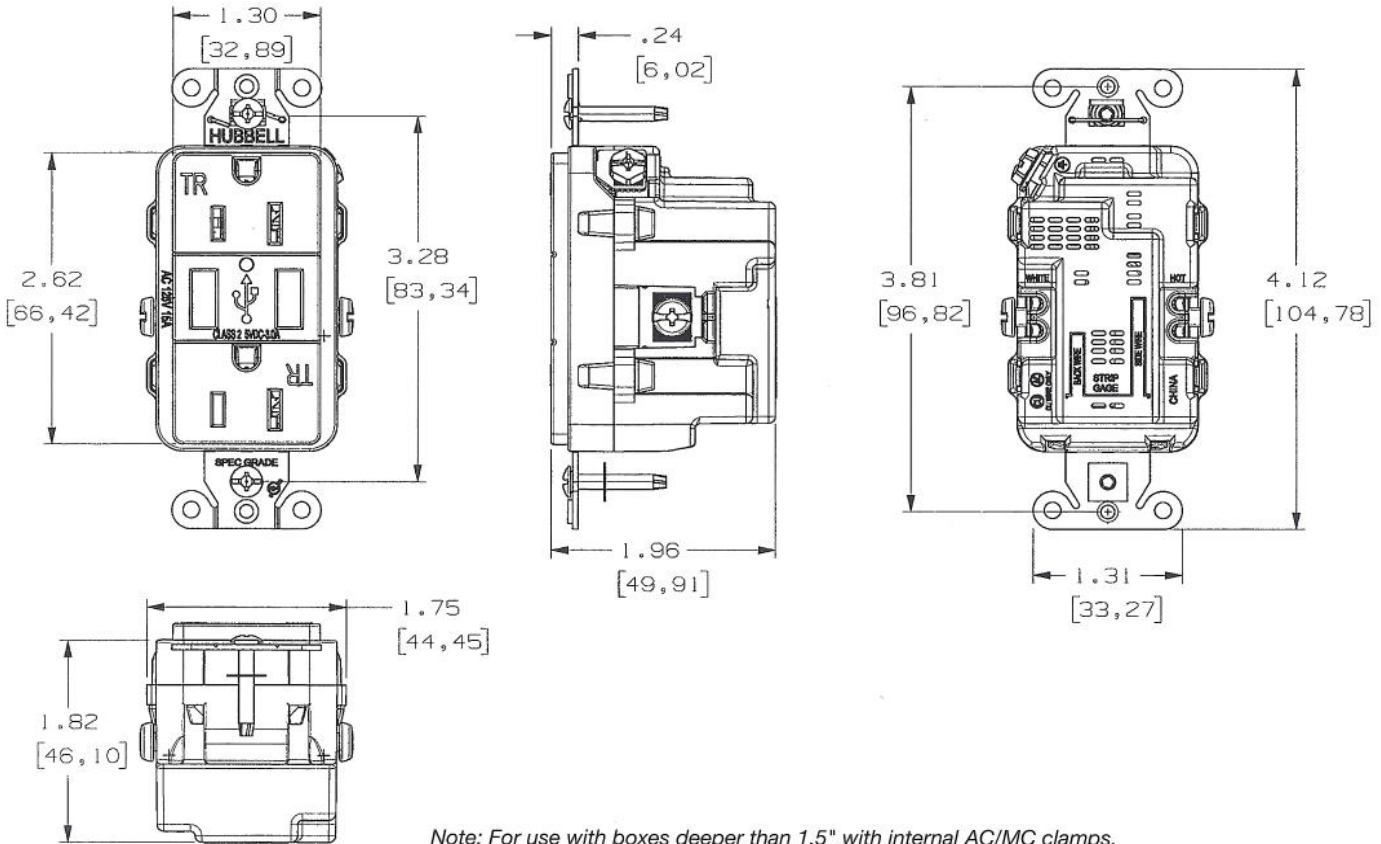


Energy Information				
USB Port Output	Energy consumed when USBs are not in use, per hour		Energy consumed when USBs are fully used, per hour	
	No Load Current	.0013A	Full Load Current	3.23A
	No load Watts	.63W	Full Load Watts	19.7W

Time to charge an iPad® or similar tablet with the Hubbell USB Charger, from 0% battery charge to 100%, is estimated between 5 to 6 hours				
Estimated annual cost to use a USB Charger Receptacle, charging 2 devices (tablets drawing maximum power), for 6 hours a day, at a Kilowatt cost of \$0.10				
Hours of use (6)	x	kilowatt cost (\$0.10)	x	kilowatt usage per hour (19.7w/1000*) x 365 days = \$4.31
Hours of non-use (18)	x	kilowatt cost (\$0.10)	x	kilowatt usage per hour (.63w/1000*) x 365 days = \$0.41
Total hours (24)			Total cost per year \$4.72	

* to convert watts to kilowatts, divide watts by 1000.

DIMENSIONS



HUBBELL®
Wiring Device-Kellems

www.hubbell-wiring.com



Hubbell Wiring Systems • Hubbell Incorporated (Delaware) • 40 Waterview Drive • Shelton, CT 06484 • Phone (800) 288-6000 • FAX (800) 255-1031
Printed in U.S.A. Specifications subject to change without notice.

WLDSB003 10/12