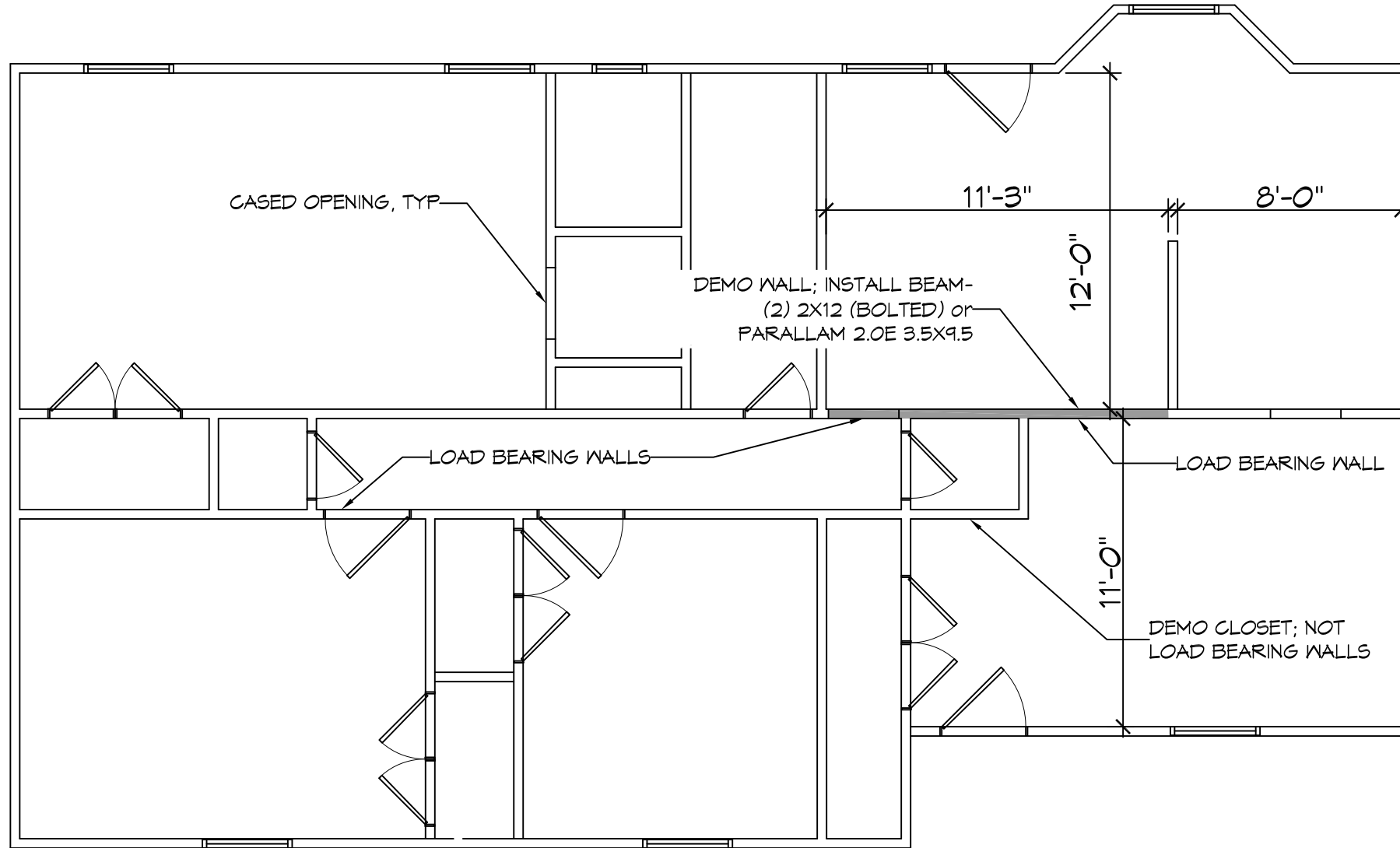


SECTION

ELEVATION



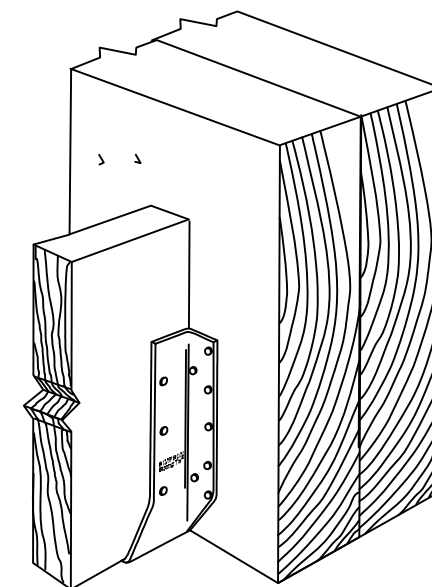
**1 PLAN**  
SCALE: N.T.S.

## GENERAL NOTES

1. CONTRACTOR IS RESPONSIBLE TO OBTAIN PERMITS FROM LOCAL JURISDICTION.
2. DRAWINGS ARE DIAGRAMMATIC AND INDICATE GENERAL ARRANGEMENT ONLY.
3. CONSTRUCTION SHALL COMPLY WITH ALL PARISH, STATE, AND LOCAL CODES.

## DIMENSIONAL LUMBER FRAMING NOTES

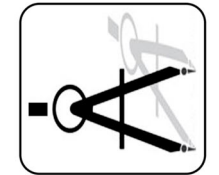
1. ALL LOAD BEARING INTERIOR AND EXTERIOR PARTITIONS SHALL BE NO. 2 GRADE SOUTHERN PINE.
2. BEAM SHALL HAVE 2EA JACK STUDS AND 1EA KING STUD EACH END OF THE BEAM.
3. KILN-DRY LUMBER AFTER TREATMENT SHALL HAVE A MAXIMUM MOISTURE CONTENT OF 19%. DO NOT USE MATERIAL THAT IS WARPED OR DOES NOT COMPLY WITH REQUIREMENTS FOR UNTREATED MATERIAL. KILN-DRY PLYWOOD AFTER TREATMENT SHALL HAVE A MAXIMUM MOISTURE CONTENT OF 15%.
4. FASTENERS:
  - A. POWER-DRIVEN FASTENERS SHALL COMPLY WITH NES ESR-1539
  - B. STEEL BOLTS SHALL COMPLY WITH ASTM A 307, GRADE A; HEX NUTS SHALL COMPLY WITH ASTM A 563.



SIMPSON STRONG-TIE JOIST HANGER



**DAMMON**  
ENGINEERING, INC.



554 Old Spanish Trail Slidell, LA 70458 (985) 649-5832

CHIEF ENGINEER: BRIAN A. MISTICH, P.E.  
554 OLD SPANISH TRAIL  
SLIDELL, LA 70458

dammonengineering.com  
info@dammonengineering.com  
PHONE: 985-649-5832

RESIDENTIAL REMOLDING

DALLAS GUIDRY

1753 MARSUA DR.  
SLIDELL, LA 70458

JOB No:

DATE:

DRAWN BY:

**S-1**