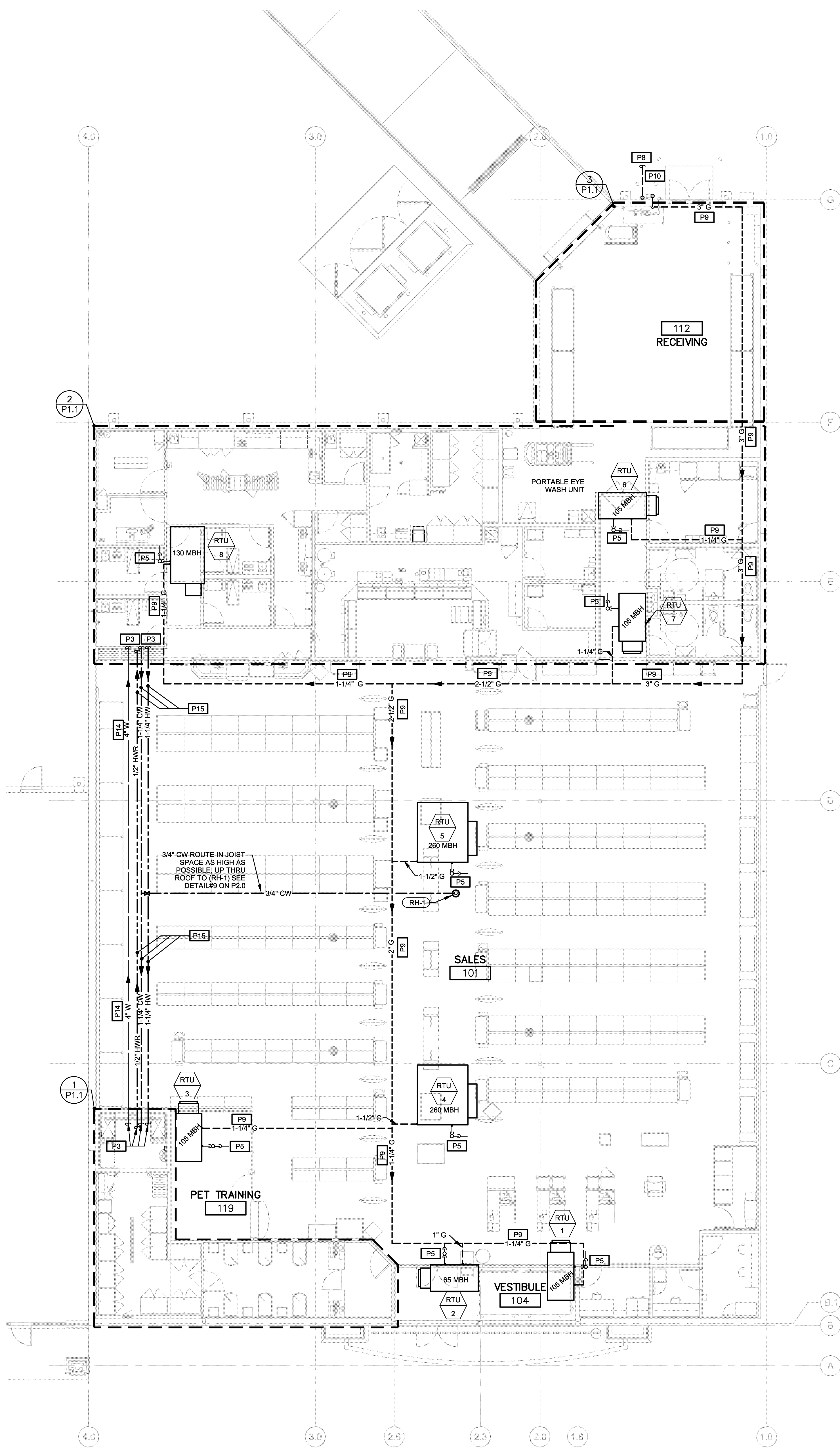


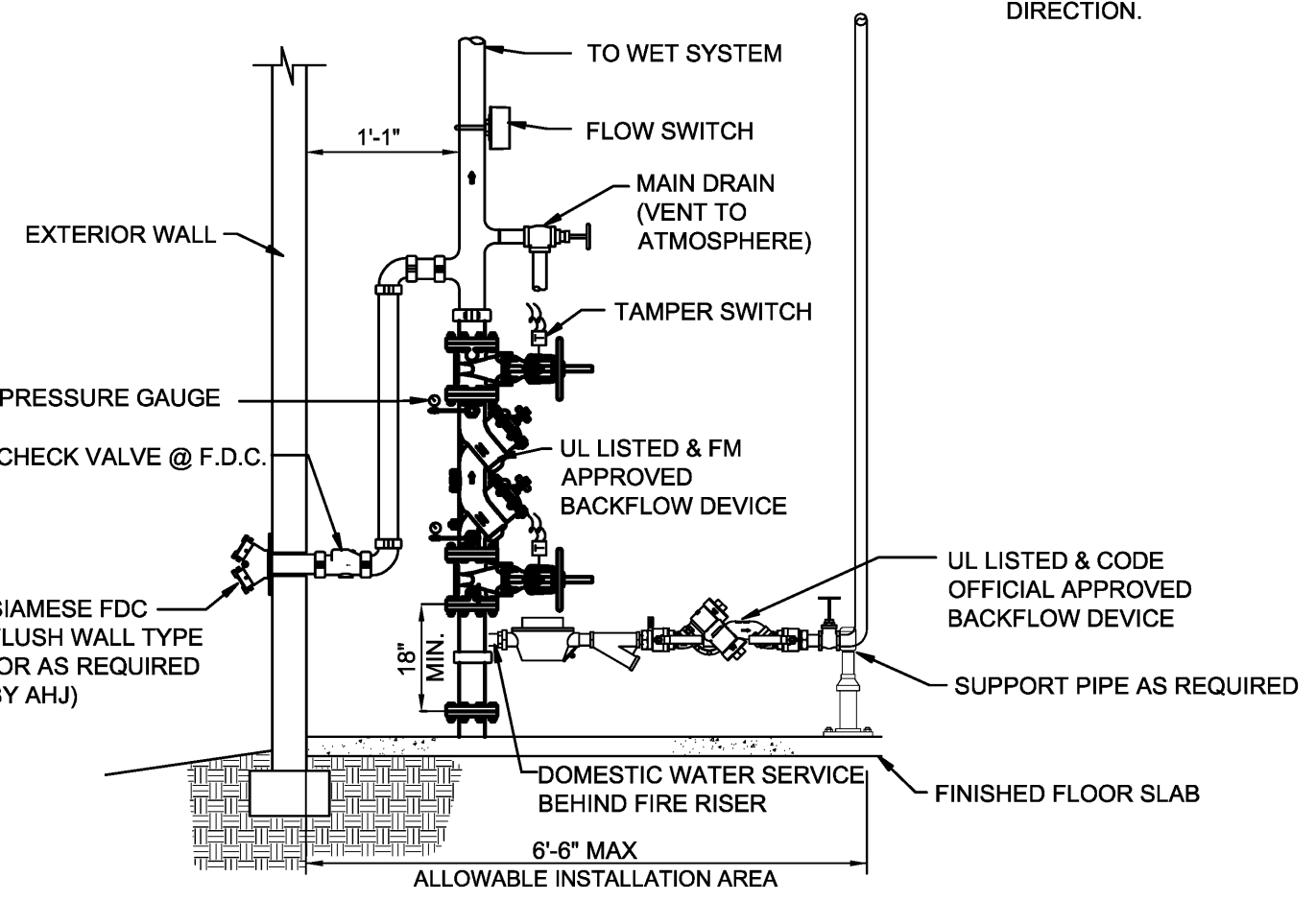
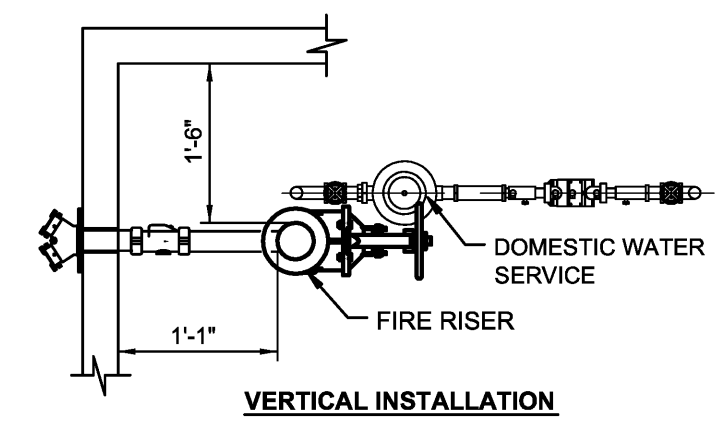
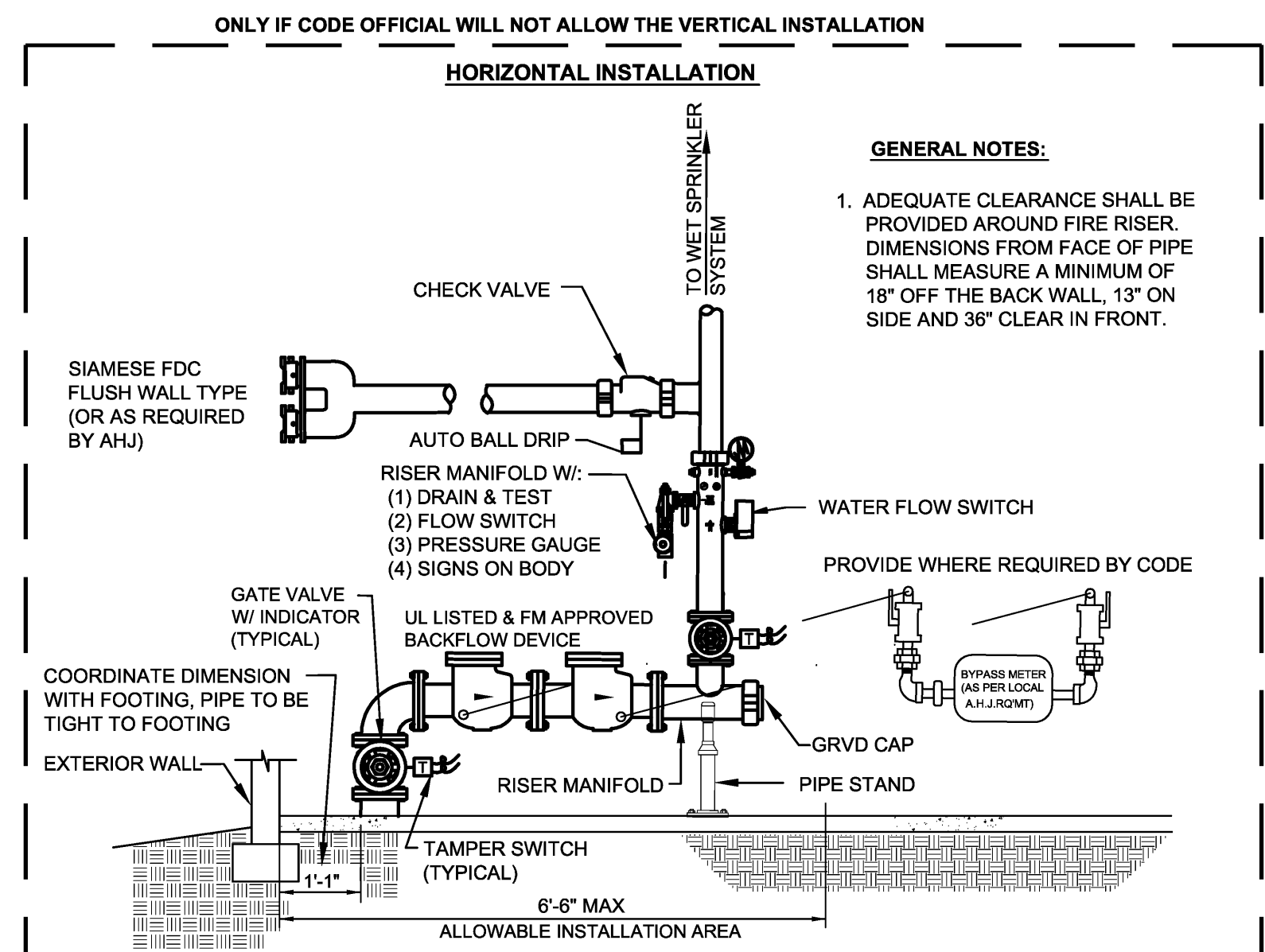
**PLUMBING FLOOR PLAN**  
**STORE NUMBER 2274**  
**FREMAUX TOWN CENTER**  
**SLIDELL, LOUISIANA**



**1 PLUMBING FLOOR PLAN**  
 SCALE: 1/8" = 1'-0"



**FIRE PROTECTION DETAIL NOTE:**  
 THE PURPOSE OF THIS DETAIL IS TO SHOW A GENERAL LAYOUT FOR THE INSTALLATION OF A VERTICAL FIRE RISER, UNLESS CODE MANDATES A HORIZONTAL FIRE RISER. IT IS THE RESPONSIBILITY OF THE PLUMBING AND FIRE PROTECTION CONTRACTORS TO CONTACT ALL PARTIES HAVING JURISDICTION TO VERIFY / CONFIRM TYPE, QUANTITY OF DEVICES AND INSTALLATION REQUIREMENTS.



**GENERAL FIRE PROTECTION NOTES:**  
 1. ADEQUATE CLEARANCE SHALL BE PROVIDED AROUND FIRE RISER. DIMENSIONS FROM FACE OF PIPE SHALL MEASURE A MINIMUM OF 18" OFF THE BACK WALL, 18" ON SIDE AND 36" CLEAR IN FRONT. PROVIDE ADEQUATE CLEARANCES AS REQUIRED BY LOCAL CODE FOR DOMESTIC SERVICE.  
 2. IF RPZ BACKFLOW PREVENTER IS REQUIRED, PLUMBING / FIRE PROTECTION CONTRACTOR SHALL VERIFY IF DRAINAGE DISCHARGE CAN BE DRAINED THRU EXTERIOR WALL OR IF A FLOOR DRAIN IS REQUIRED. CONTACT PETSMA RTU QM AS SOON AS POSSIBLE FOR DIRECTION.

**2 FIRE/DOMESTIC RISER ELEVATION**  
 SCALE: N.T.S.

NO:	ISSUE:	DATE:
	ISSUE FOR PERMIT	APRIL 15, 2013

**ROBERT M. LUCIUS, ARCHITECT**  
 1200 Marshall St.  
 NE Minneapolis, MN 55413  
 612.677.7100  
 612.677.7499  
 www.rmla.com

**DUNHAM**  
 Dunham Associates, Inc.  
 50 South River Street, Suite 1100  
 Minneapolis, Minnesota 55402-1940  
 Phone: 612.682.3300 Fax: 612.682.3301  
 www.dunham.com  
 mechanical • electrical consulting engineering

Job No: **0413995-081**  
 Sheet No: **P1.0**  
 Scale: As indicated  
 Drawn: —  
 Checked: —