



DAMMON ENGINEERING, INC.

EMMETT DAMMON

**ARCHITECT
ROBERT WILTSE**

1095 FLORIDA AVENUE
SLIDELL, LA. 70458
985-649-5832

WWW.DAMMONENGINEERING.COM

EMAIL:
DAMMONENG@BELL SOUTH.NET

ARCHITECTURE

ENGINEERING

STUDIES

PLANNING

INVESTIGATION

EXPERT WITNESS

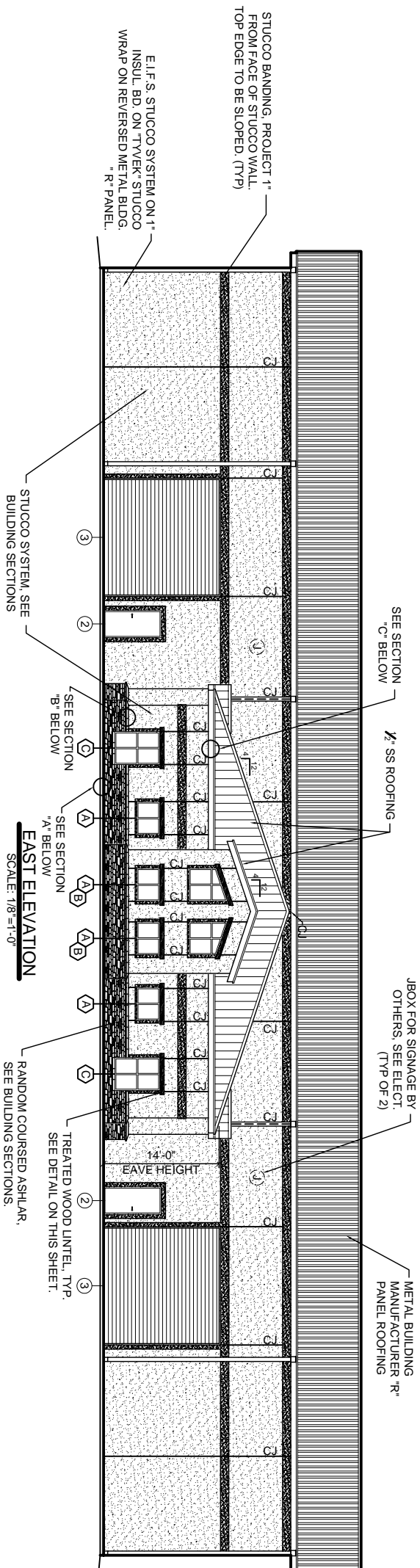
**NEW OFFICE/
WAREHOUSE**

O'BRIEN / NORTH
SHORE FLOORING
DISTRIBUTORS
J.F. SMITH AVE.
SLIDELL, LA

**BUILDING
ELEVATIONS
AND
SECTIONS**

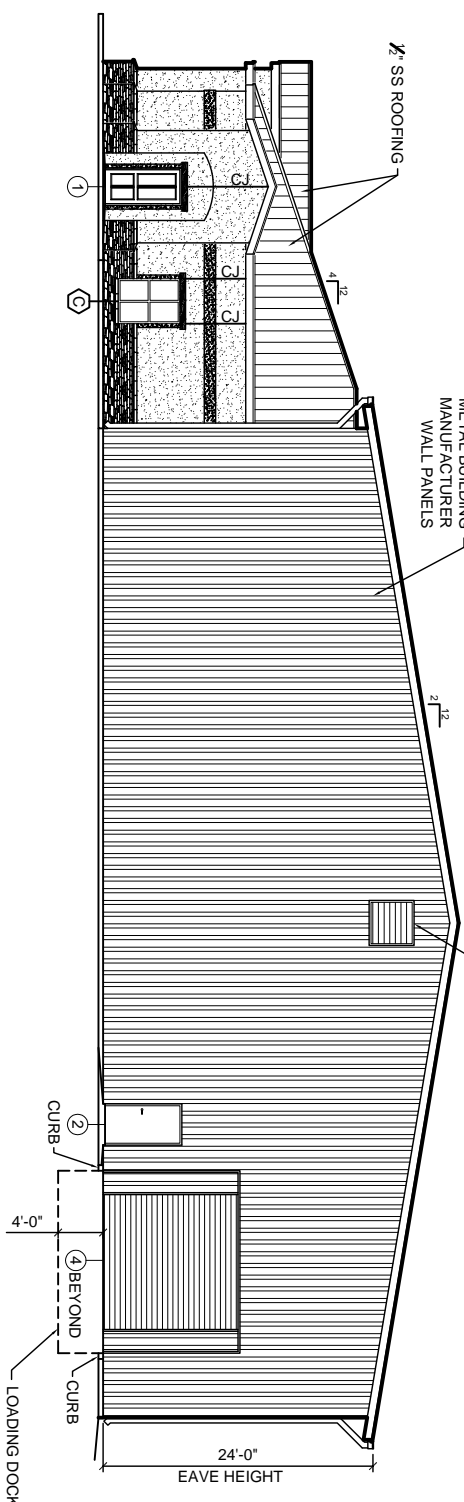
REV:
SCALE: AS NOTED
JOB#: 1912
DATE: 1-4-08
SHEET

OF
A-2



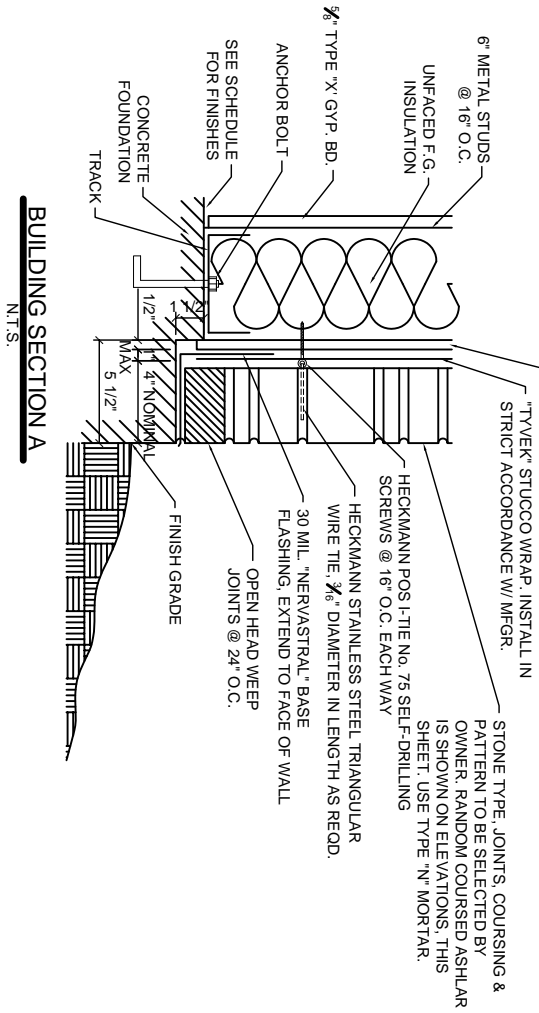
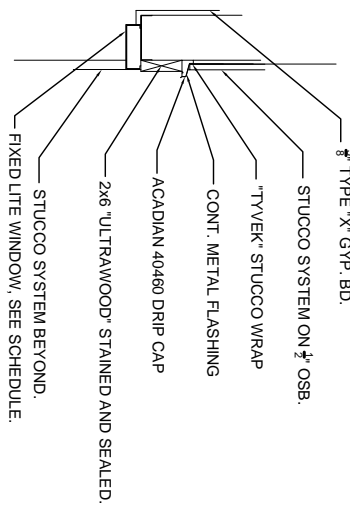
EAST ELEVATION
SCALE: 1/8"=1'-0"

EXHAUST FAN, SEE M-1, GABLE EXHAUST FAN TO BE "GREENHECK" OR EQUAL, NOMINAL 48" DIAMETER BELT DRIVEN UNIT WITH TYPE 1, FABRICATED PROPPELLER. PROVIDE WALL COLLAR, MOTOR SIDE GUARD, MOTORIZED DAMPER WITH LOW LEAKAGE BLADE AND JAMB SEALS, AND ALL ITEMS REQUIRED FOR A COMPLETE INSTALLATION.

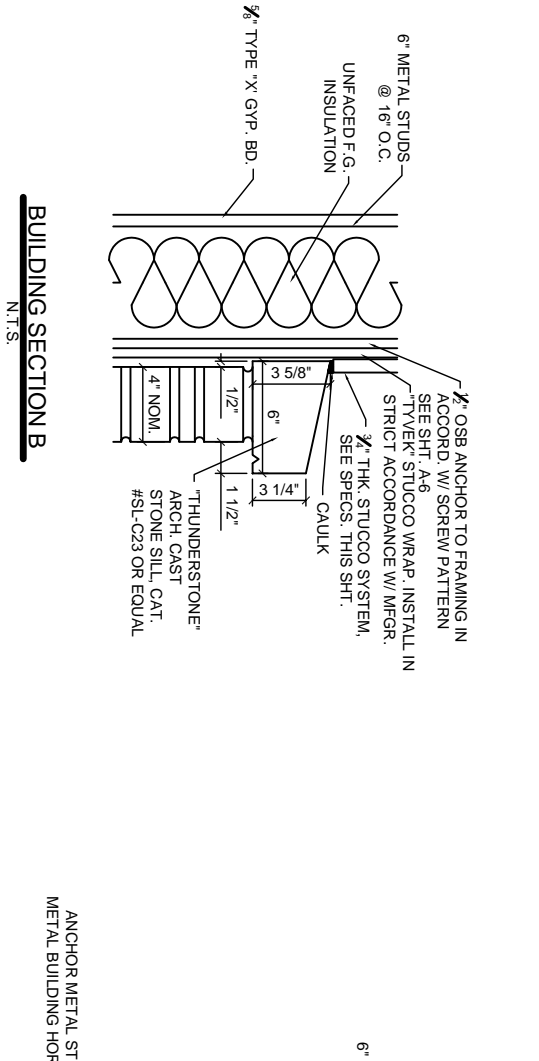


NORTH ELEVATION
SCALE: 1/8"=1'-0"

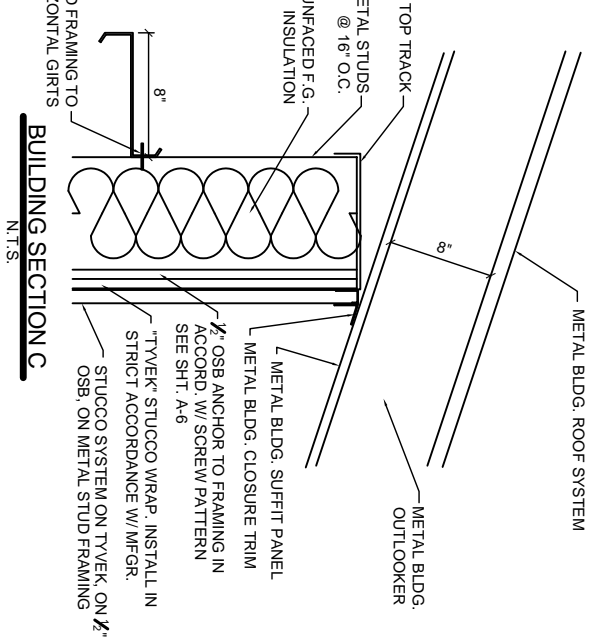
WOOD LINTEL DETAIL
N.T.S.



BUILDING SECTION A
N.T.S.



BUILDING SECTION B
N.T.S.



BUILDING SECTION C
N.T.S.

- EXTERIOR STUCCO SPECIFICATIONS:**
1. COMPLY WITH ASTM C-841 AND C-842. PROVIDE 3/4" OVERALL THICKNESS ON SELF-FURRING DIAMOND MESH GALVANIZED METAL LATH, 3.4 LB. PER SQUARE YARD, ON "TYVEK" STUCCO WRAP. ATTACH LATH AT "DIMPLES" ONLY, WITH NON-CORROSIVE SCREWS.
 2. METAL LATH AND ALL ACCESSORIES TO BE EQUAL TO "AMICO". TO INCLUDE CORNER BEADS, CASING BEADS, BASE SCREEDS AND CONTROL JOINTS. ALL ACCESSORIES TO BE ZINC, ALL CORNERS TO BE MITERED.
 3. STUCCO TO BE INSTALLED IN THREE COATS: SCRATCH, BROWN AND FINISH. FINISH COAT TO BE ORIENTAL STUCCO WITH SAND FLOAT FINISH BY U.S. GYPSUM.
 4. COMPLY WITH MANUFACTURERS AND INDUSTRY RECOMMENDATIONS. INSTALL LATH IN ACCORDANCE WITH ASTM C-1063.
 5. SUBMIT DATA CUT SHEETS FOR ALL ITEMS IF REQUIRED.