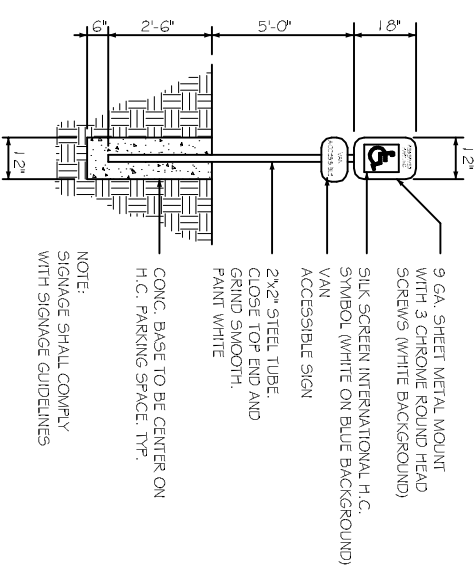
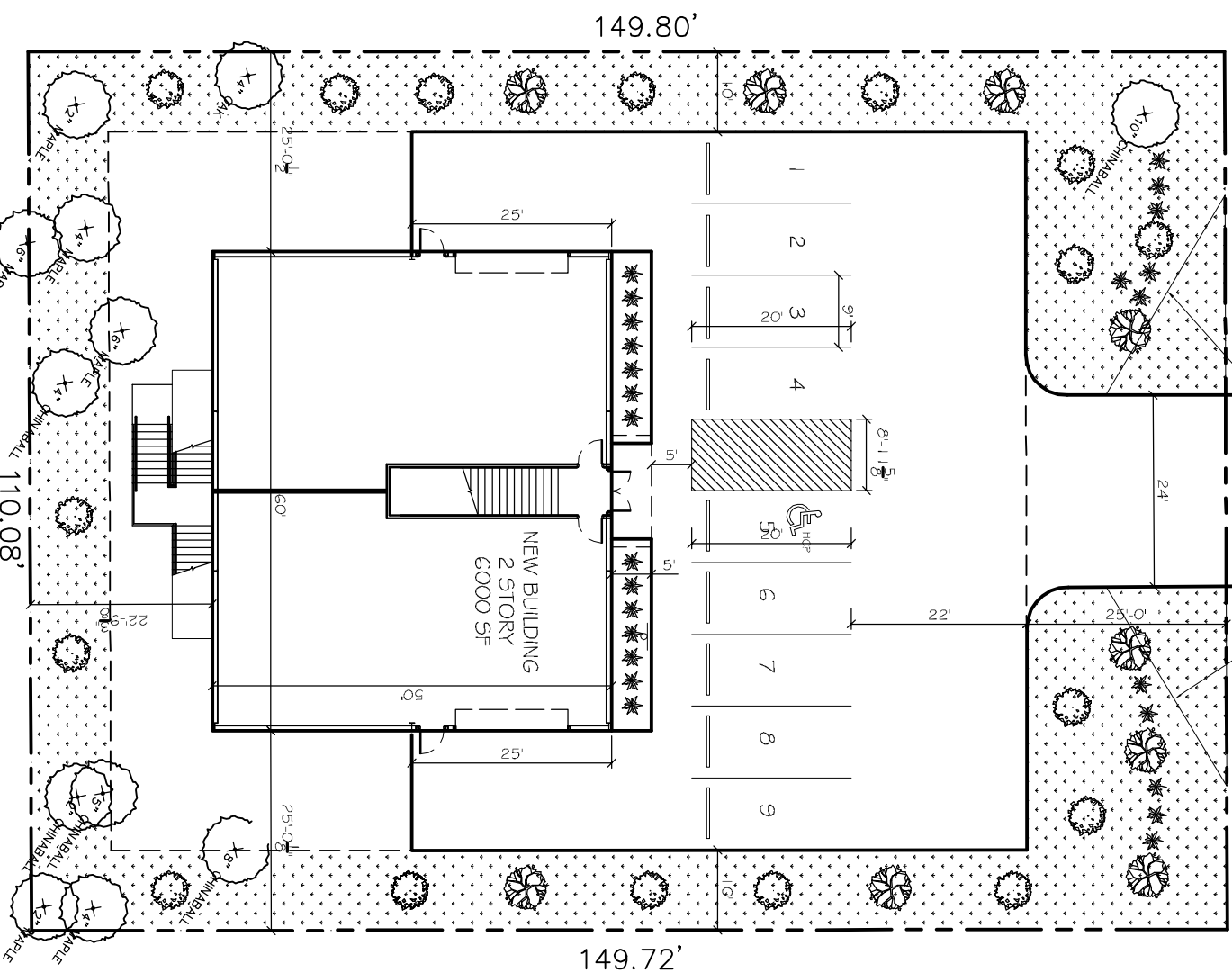


JOSEPH STREET

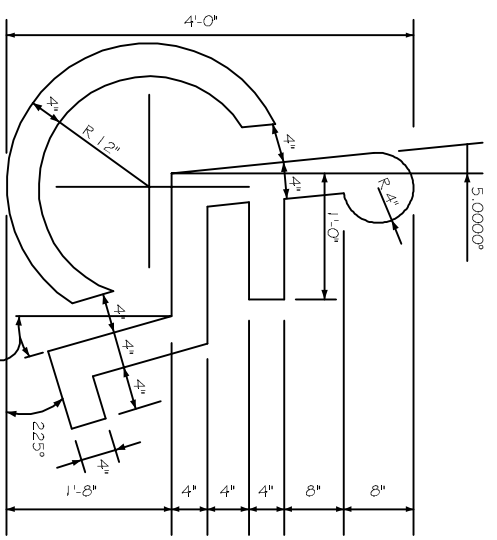
15x25' CLEAR SIGHT TRIANGLE

NOTE:  
PAVEMENT IN ALL PARKING AREAS SHALL BE 5" THICK CONCRETE.

- SITE LEGEND**
- PROPERTY LINE
  - SETBACK LINE
  - HANDICAP PARKING
  - HANDICAP PARKING SIGN
  - LITTER RECEPTACLE
  - TRAFFIC ARROW
  - CATCH BASIN



HANDICAP PARKING SIGN  
N. T. S.



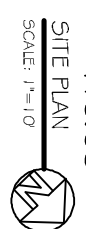
HANDICAP SYMBOL DETAIL  
N. T. S.

**LANDSCAPE LEGEND**

- RED MAPLE  
CLASS A: ANY SELF-SUPPORTING WOODY PLANT OF A SPECIES WHICH NORMALLY GROWS TO AN OVERALL HEIGHT OF A MINIMUM OF FIFTY (50) FEET, USUALLY WITH ONE MAIN STEM OR TRUNK ALTHOUGH SOME SPECIES MAY HAVE MULTIPLE TRUNKS, AND WITH MANY BRANCHES.
- ALL CLASS "A" TREES, AT THE TIME OF PLANTING, SHALL HAVE A MINIMUM CALIPER OF AT LEAST TWO AND ONE-HALF (2 1/2) INCHES, MEASURED SIX (6) INCHES ABOVE THE ROOT BALL, AND A MINIMUM HEIGHT OF 10-12 FEET, AS PER THE NATIONAL NURSERY ASSOCIATION STANDARDS.
- GREEN ANTWERP  
CLASS B: ANY SELF-SUPPORTING WOODY PLANT OF A SPECIES WHICH NORMALLY GROWS TO AN OVERALL HEIGHT OF A MINIMUM OF TWENTY-FIVE (25) FEET, WITH ONE OR MORE MAIN STEM(S) OR TRUNK(S) AND MANY BRANCHES.
- ALL CLASS "B" TREES AND ALL TREES, OTHER THAN CLASS "A" TREES, AT THE TIME OF PLANTING, SHALL HAVE A MINIMUM CALIPER OF AT LEAST ONE AND ONE-HALF (1 1/2) INCHES MEASURED (6") SIX INCHES ABOVE THE ROOT BALL, AND A MINIMUM HEIGHT OF 8-10 FEET AS PER THE NATIONAL NURSERY ASSOCIATION STANDARDS.
- INDIAN HAWTHORNE  
SHRUBS: A RELATIVELY LOW-GROWING BUSHY PLANT, USUALLY WITH WOODY STEMS, FOR THE PURPOSES OF THIS DEFINITION, GROUND COVER, TREES AND ANNUALS ARE NOT CONSIDERED SHRUBS.
- ALL SHRUBS, AT THE TIME OF PLANTING, SHALL HAVE A MINIMUM HEIGHT OF TWO (2) FEET.
- ASIAN JASMINE GROUNDCOVER
- GRASS 3000

**PARKING REQUIREMENTS**

REQUIRED: 1 SPACE PER 700 SF OF STORAGE AREA  
1 SPACE PER 400 SF OF OFFICE AREA - 15 %  
PROVIDED: STORAGE = 2800 SF / 1000 = 3 SPACES  
OFFICE = 2710 - 15 % = 2303 / 400 = 6 SPACES



SITE PLAN  
SCALE: 1"=10'

**SITE PLAN NOTES**

1. ROOFING MATERIAL: METAL ROOFING PANEL
2. SIDING MATERIAL: CONVENTIONAL STUCCO VENEER & METAL PANELS.
3. UTILITIES: ALL UTILITIES SHALL BE PLACED UNDERGROUND

**SITE LIGHTING**

EXTERIOR LIGHTING SHALL BE SHADDED OR INWARDLY DIRECTED IN SUCH A MANNER SO THAT NO DIRECT LIGHTING OR GLARE BE CAST BEYOND THE PROPERTY LINE. THE INTENSITY OF SUCH LIGHTING SHALL NOT EXCEED ONE FOOT CANDLE AS MEASURED AT THE ADJUTING PROPERTY LINE. (NVA FOR THIS PARTICULAR JOB)

**MOREAU'S THERMAL SERVICE  
NEW OFFICE BUILDING**

JOSEPH STREET  
SUDELL, LOUISIANA

JOB No: 2127 DATE: 10-31-2012  
DRAWN BY: BSN CHECKED BY: BSN



**DAMMON**  
ENGINEERING, INC.  
Architects & Engineers

CHIEF ENGINEER: EMMETT DAMMON, P.E.  
CHIEF ARCHITECT: ROBERT WILTSE  
654 OLD SPANISH TRAIL  
SUDELL, LA 70450

dammoneengineering.com  
adammoneng@bellsouth.net  
PHONE: 985-649-5033  
FAX: 985-641-5950

REVISIONS		DATE
#	DESCRIPTION	

SITE PLAN

C-1