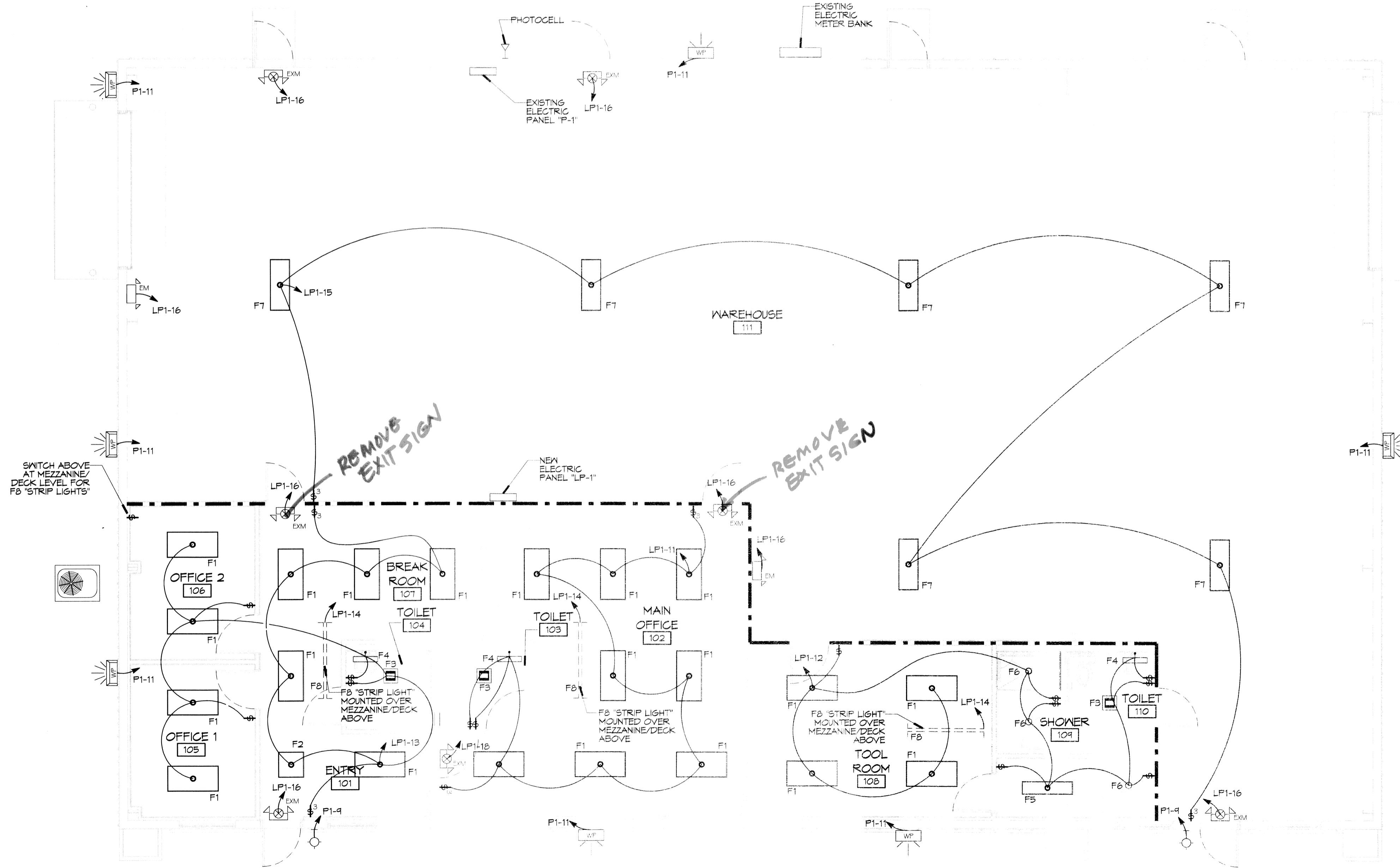
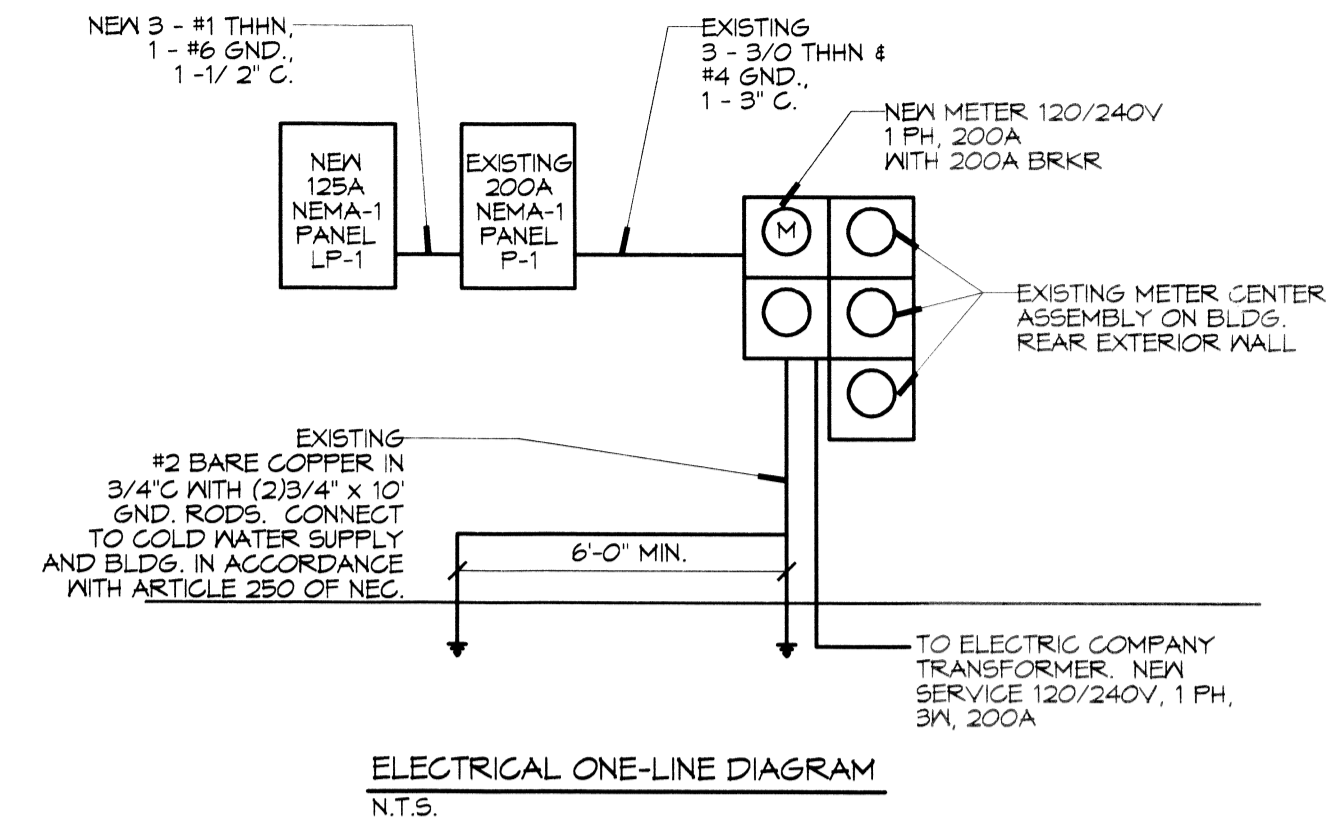


PANEL: P-1 (EXISTING)		VOLTAGE: 120/240V, 200A 1Ø, 3Ø		ENCLOSURE: NEMA 1, SURFACE MOUNTED, 200A MB, W/EQUIPMENT GND BAR	
CKT. NO.	THIN WIRE SIZE	LOAD DESCRIPTION	BREAKER	LOAD (VA)	CKT. NO.
		LOCATION	AMP POLE		
1	#6	A/C #1 CONDENSING UNIT 5 TON	60 2	4140	2
3				4140	4
5	#10	ELEG. WATER HEATER 40 GALLON	30 2	3600	6
7				3600	8
4	#12	EXTERIOR WALL-MOUNTED LIGHTS AT DOORS	20 1	540	10
11	#12	EXTERIOR WALL-PACK FLOOD LIGHTS	20 1	1100	12
13	-	SPARE	- 1	-	14
15	-	SPARE	- 1	-	16
17	-	SPARE	- 1	-	18
19	-	SPARE	- 1	-	20
21	-	SPARE	- 1	-	22
23	-	SPARE	- 1	-	24
25	-	SPARE	- 1	-	26
27	-	SPARE	- 1	-	28
29	-	SPARE	- 1	-	30
31	-	SPARE	- 1	-	32
33	-	SPARE	- 1	-	34
35	-	SPARE	- 1	-	36
37	-	SPARE	- 1	-	38
39	-	SPARE	- 1	-	40
41	-	SPARE	- 1	-	42
		TOTAL CONNECTED LOAD (VA) = 48,740			
		A0 = 24,502	B0 = 24,238		

PANEL: LP-1 (NEW)		VOLTAGE: 120/240V, 125A 1Ø, 3Ø		ENCLOSURE: SURFACE MOUNTED, MLO, W/EQUIPMENT GND BAR	
CKT. NO.	THIN WIRE SIZE	LOAD DESCRIPTION	BREAKER	LOAD (VA)	CKT. NO.
		LOCATION	AMP POLE		
1	#12	RECEPTACLES IN ENTRANCE AREA AND OFFICE-2	20 1	1260	2
3	#12	RECEPTACLES IN MAIN OFFICE AND WAREHOUSE SIDE OF MAIN OFFICE WALL	20 1	1080	4
5	#12	DEDICATED MICROWAVE RECEPTACLE	20 1	1400	6
7	#12	RECEPTACLES IN RESTROOMS, BREAK-ROOM, AND WAREHOUSE	20 1	1260	8
9	#12	RECEPTACLES IN TOOL ROOM AND WAREHOUSE SIDE OF TOOL ROOM WALL	20 1	1260	10
11	#12	LIGHTS IN MAIN OFFICE AND RESTROOM NEAREST TO MAIN OFFICE	20 1	822	12
13	#12	LIGHTS IN TOOL ROOM, WAREHOUSE RESTROOM, AND SHOWER AREAS	20 1	1092	14
15	#12	HIGH BAY WAREHOUSE LIGHTS	20 1	1944	16
17	-	SPARE	- 1	-	18
19	-	SPARE	- 1	-	20
21	-	SPARE	- 1	-	22
23	-	SPARE	- 1	-	24
25	-	SPARE	- 1	-	26
27	-	SPARE	- 1	-	28
29	-	SPARE	- 1	-	30
		TOTAL CONNECTED LOAD (VA) = 17,510			
		A0 = 8,762	B0 = 8,728		



LIGHTING LEGEND:

- F1 ○ 2x4' FLUORESCENT LAYIN FIXTURE WITH 3 EA. 32W LAMPS
- F2 ○ 2x2' FLUORESCENT LAYIN FIXTURE WITH 2 EA. 24W LAMPS
- F3 □ EXHAUST FAN/LIGHT COMBO UNIT 90W TOTAL EA.
- F4 □ 2' FLUORESCENT WALL-MTD. FIXTURE WITH 1 EA. 60W LAMP
- F5 ○ 1x4' FLUORESCENT SURFACE-MTD. FIXTURE WITH 2 EA. 32W LAMPS
- F6 ○ 6" DIA. INCANDESCENT RECESSED CAN LIGHT WITH SHOWER TRIM & A 60W LAMP
- F7 ○ 18"x4" HIGH BAY FLUORESCENT. FIXTURE WITH 6 EA. 54W HIGH OUTPUT LAMPS
- F8 ——— 6' FLUORESCENT STRIP LIGHT FIXTURE WITH 2 EA. 100W LAMPS
- EXIT/EMERGENCY LIGHT COMBO UNIT WITH 90 MIN. BATTERY BACKUP (40W EA.)
- EMERGENCY LIGHT UNIT WITH 90 MIN. BATTERY BACKUP (30W EA.)
- EXTERIOR "WALL-PACK" FLOOD LIGHT, WALL-MTD, 150W EA. (LED)
- EXTERIOR "WALL-PACK" FLOOD LIGHT, WALL-MTD, 250W EA. (LED)
- EXTERIOR WALL-MTD. FIXTURE (LED)
- PHOTOCELL CONTROL SWITCH FOR ALL EXTERIOR LIGHTING (120V)
- SWITCH
- THREE-WAY SWITCH
- ELECTRIC CIRCUIT PANEL

1 ELECTRICAL LIGHTING PLAN

SCALE: 3/16"=1'-0"

462699
REVIEWED FOR
STATE FIRE MARSHAL
AS PER REVIEW LETTER
BY WILLIAM D. JONES, ARCHITECT, CRO

William D. Jones

DAMMON ENGINEERING, INC.
ARCHITECTS & ENGINEERS

www.dammonengineering.com
info@dammonengineering.com
504 Old Spanish Trail
Burrhead, LA 70098
P: 985-841-9920

Chief Architect: Kevin J. Kitchin, NCARB
Chief Engineer: Brian Mastich, PE

REVISIONS	DATE	DESCRIPTION
4		

SEAL:

K.K.
1/15/15

OFFICE BUILDOUT FOR
KYBER ENTERPRISES

176 STRAWBERRY STREET
SLIDELL, LOUISIANA 70460
JOB NO: 2221 DATE: 07-14-15
DRAWN BY: KSK CHECKED BY: CAC

SHEET TITLE:
LIGHTING PLAN

DRAWING NUMBER:
E102

SHEET No: 10 of 11