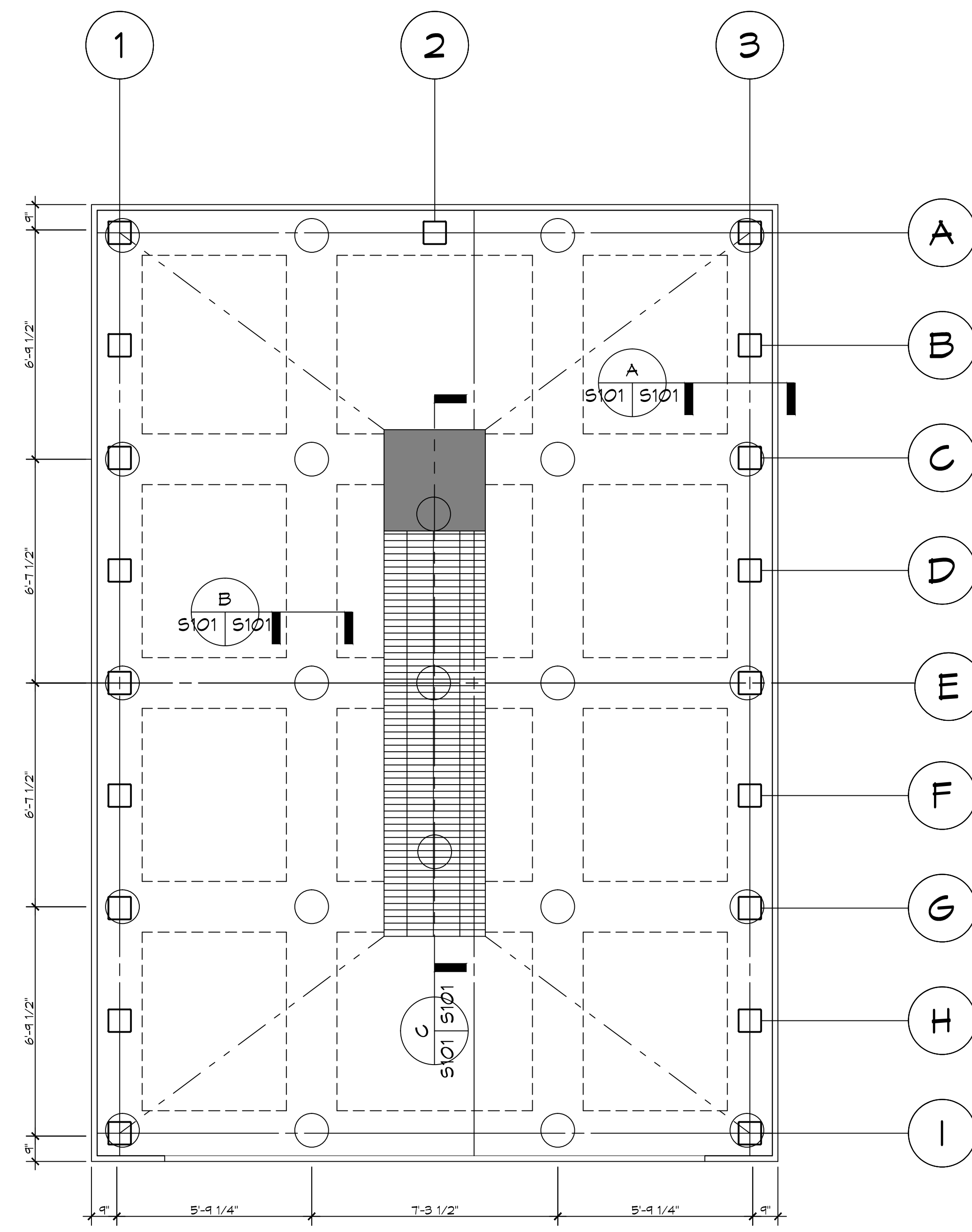
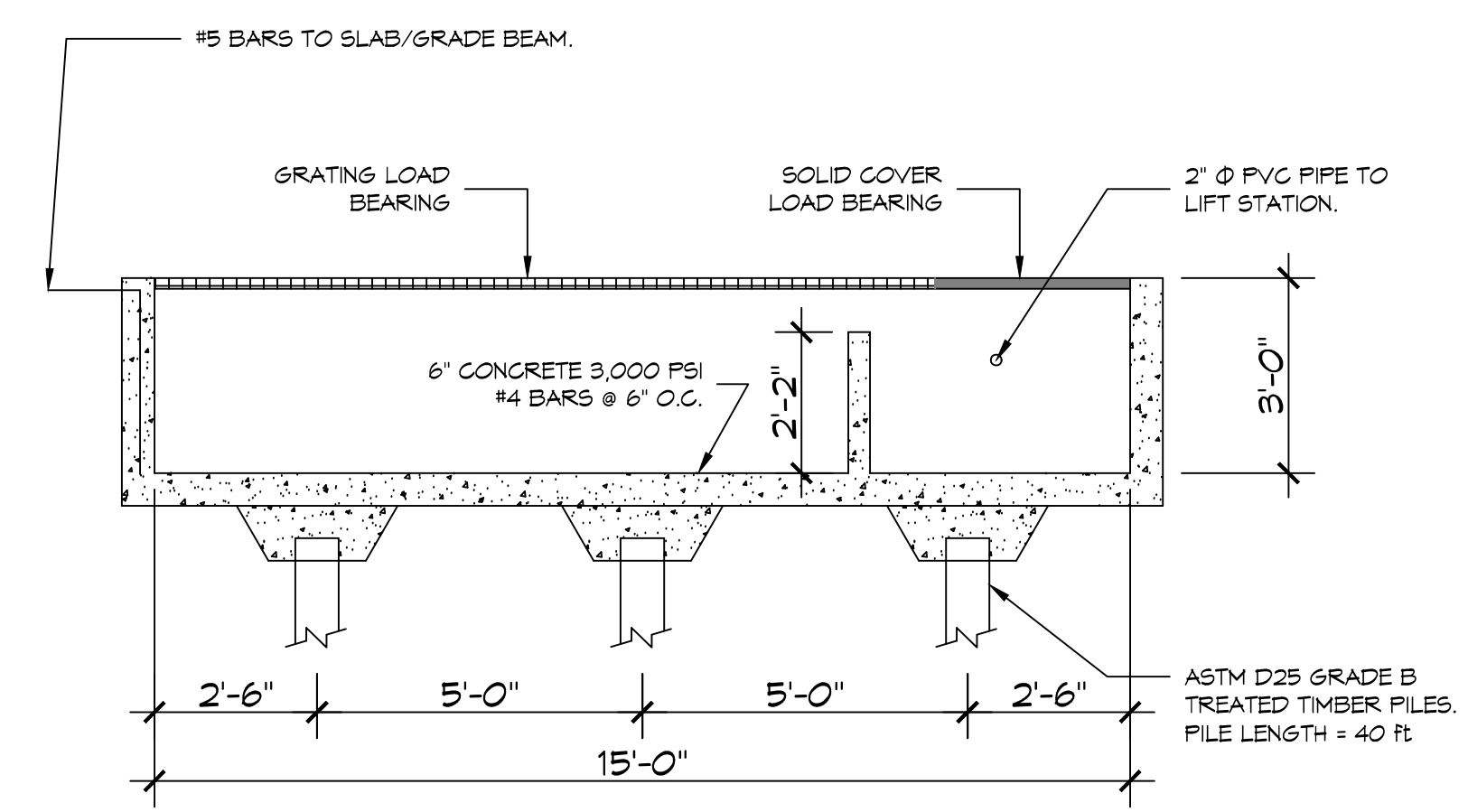


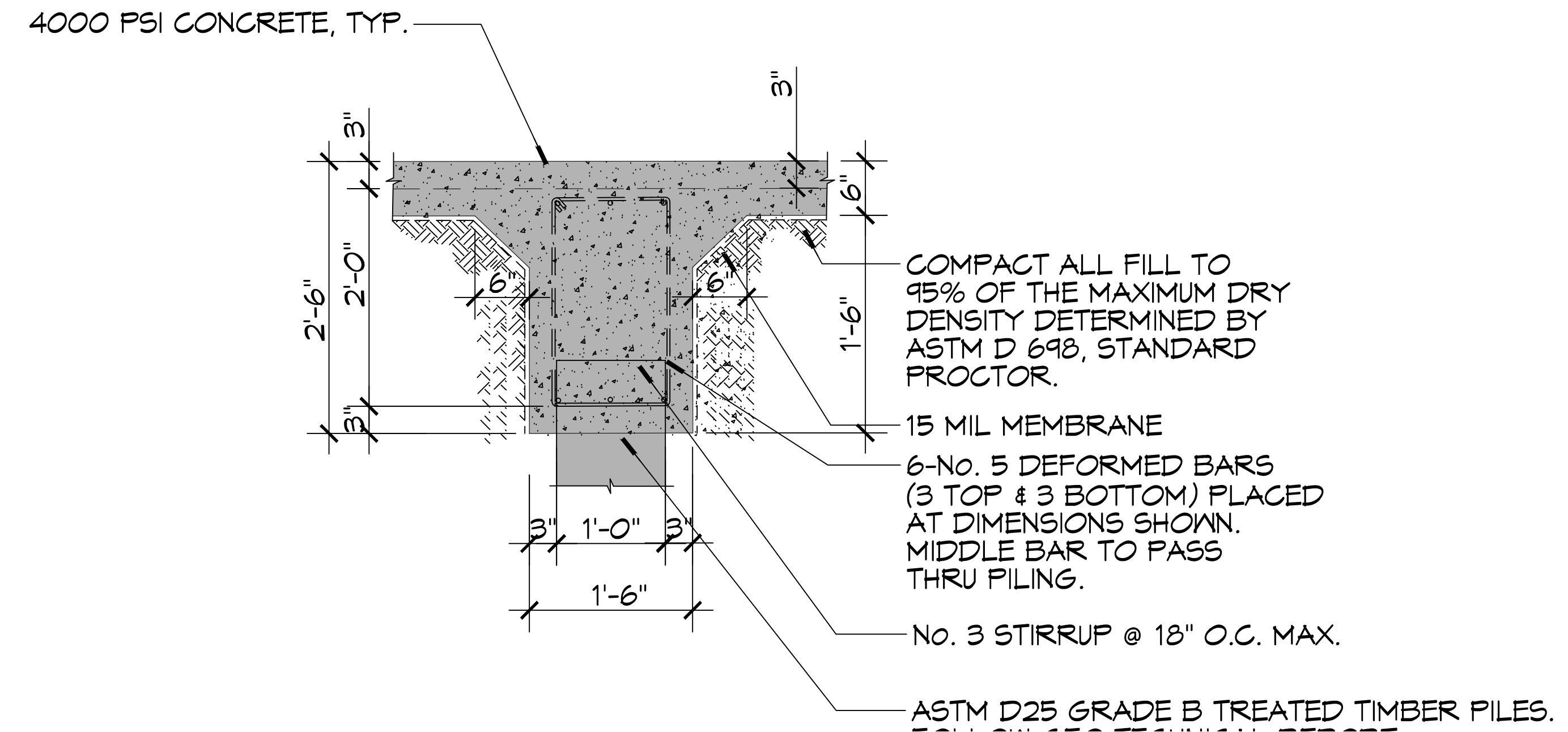
FILE NAME: \\1-Office-Resources\3379 - Blue Line Rack Wash\3379-1.dwg DATE: 11/20/16 3:30:22 PM
 PLOT DATE: 11/20/16 3:30:22 PM



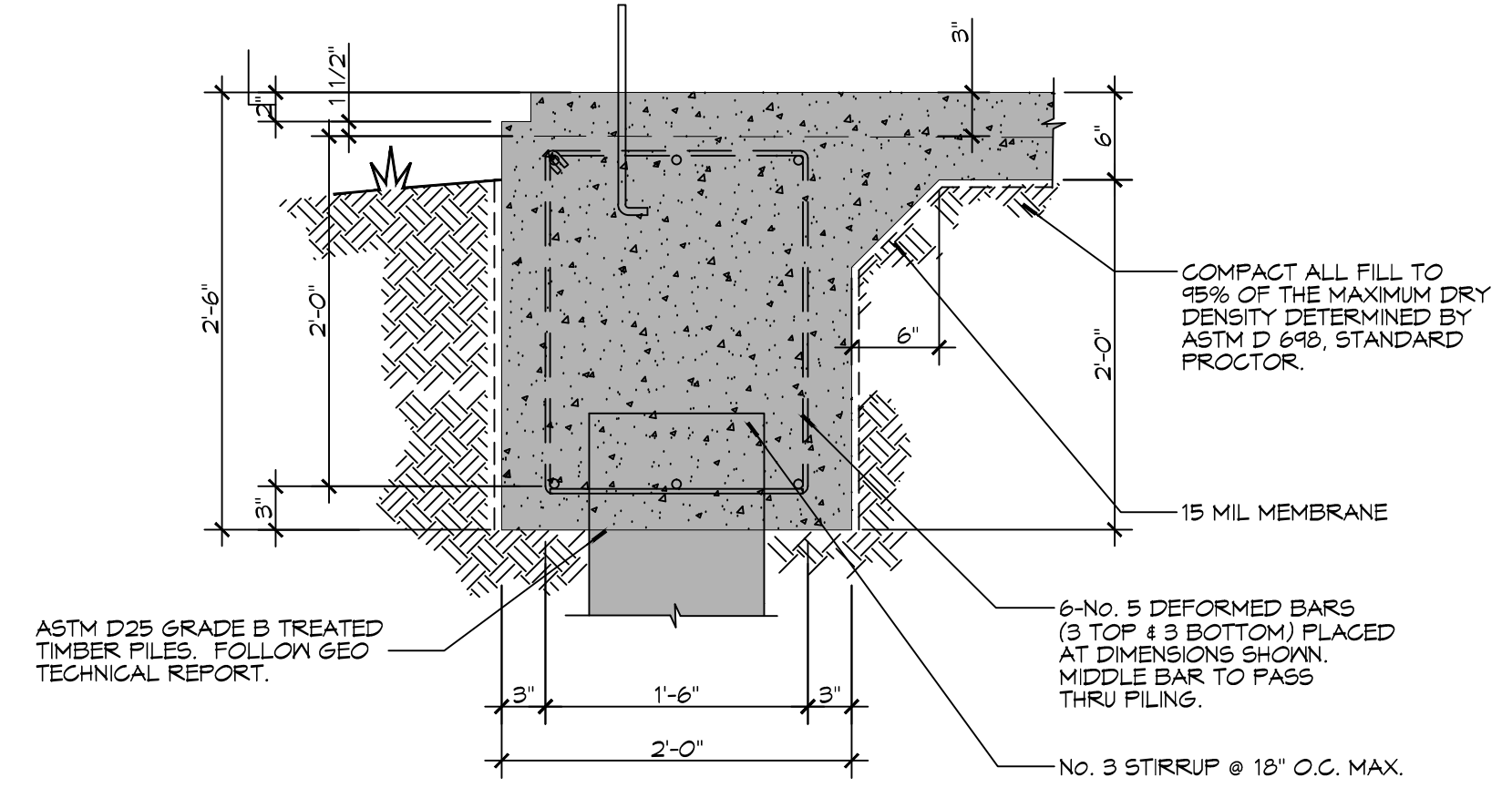
1 FOUNDATION PLAN
 SCALE: 3/8" = 1'-0"



C FOUNDATION SECTION
 SCALE: 1/2" = 1'-0" TRENCH DETAIL



B FOUNDATION SECTION
 SCALE: 1/2" = 1'-0" INTERIOR GRADE BEAM



A FOUNDATION SECTION
 SCALE: 1/2" = 1'-0" EXTERIOR LOAD BEARING GRADE BEAM

DAMMON
 ENGINEERING, INC.

554 Old Spanish Trail, Suite 100
 Slidell, LA 70458
 (865) 618-5822
 www.dammonengineering.com
 info@dammonengineering.com
 PH: 985.649.5832

Chief Engineer: Brian Misch, PE
 554 Old Spanish Trail
 Slidell, LA 70458

#	DESCRIPTION	DATE
1	ADD STRUCTURAL SHEET TO PLAN SET	1/29/2016

SEAL: _____
PRELIMINARY

WASH RACK
BLUELINE RENTALS

2450 PESTREJAN AVENUE
 HARVEY, LOUISIANA 70058
 JOB No: 2219 DATE: 25 FEBRUARY 2016
 DRAWN BY: DFD CHECKED BY: KJK

SHEET TITLE:
 ELEVATION

DRAWING NUMBER:
S101