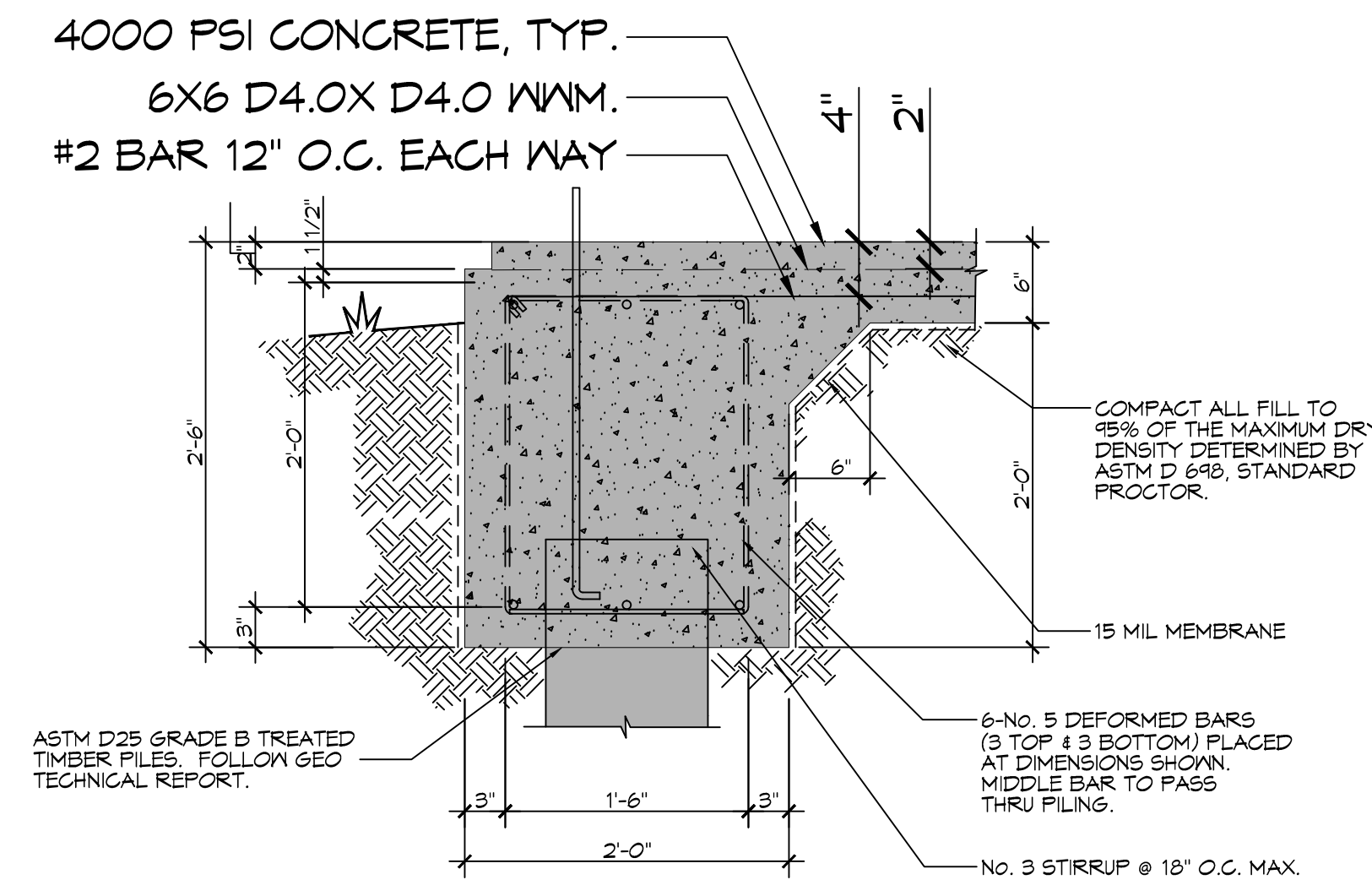
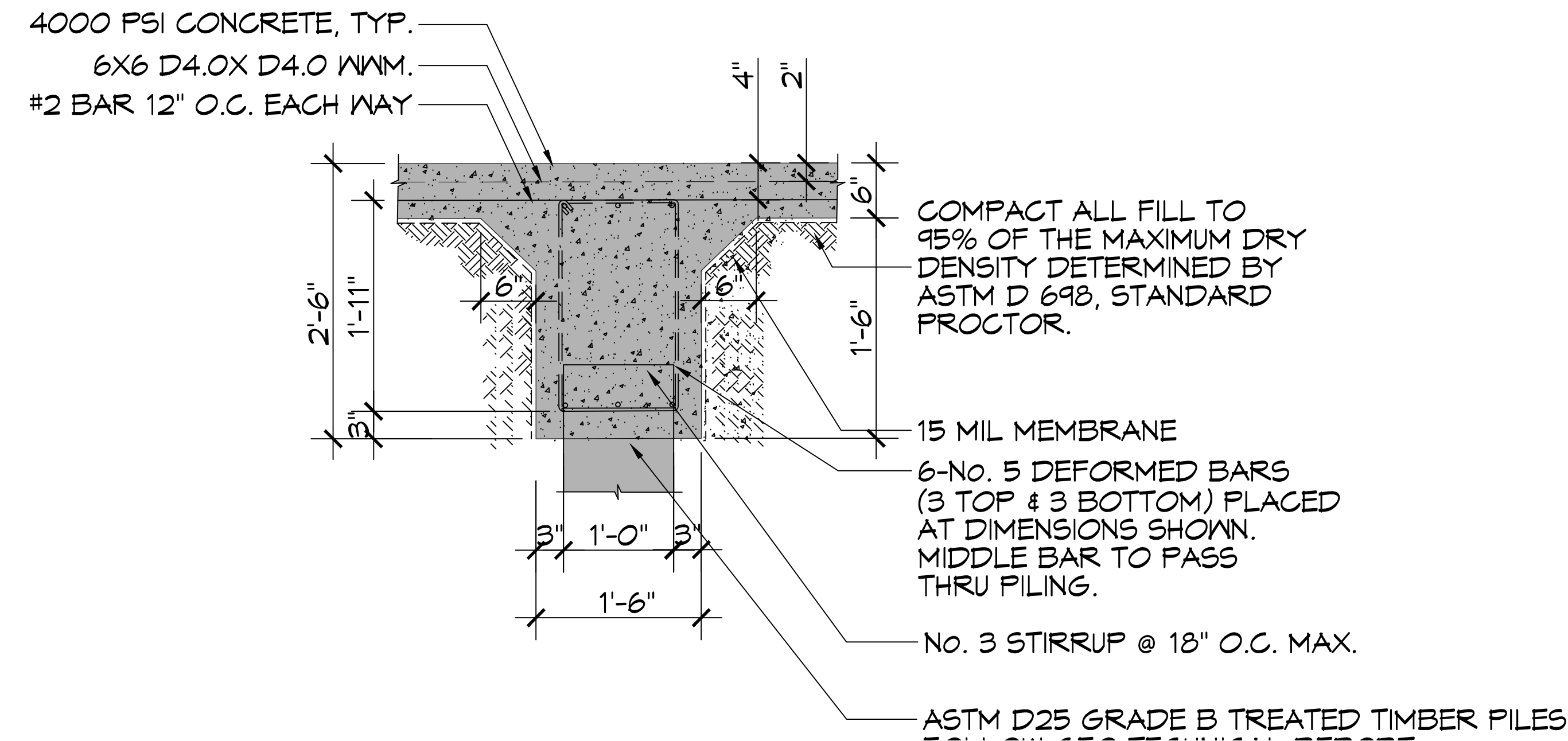
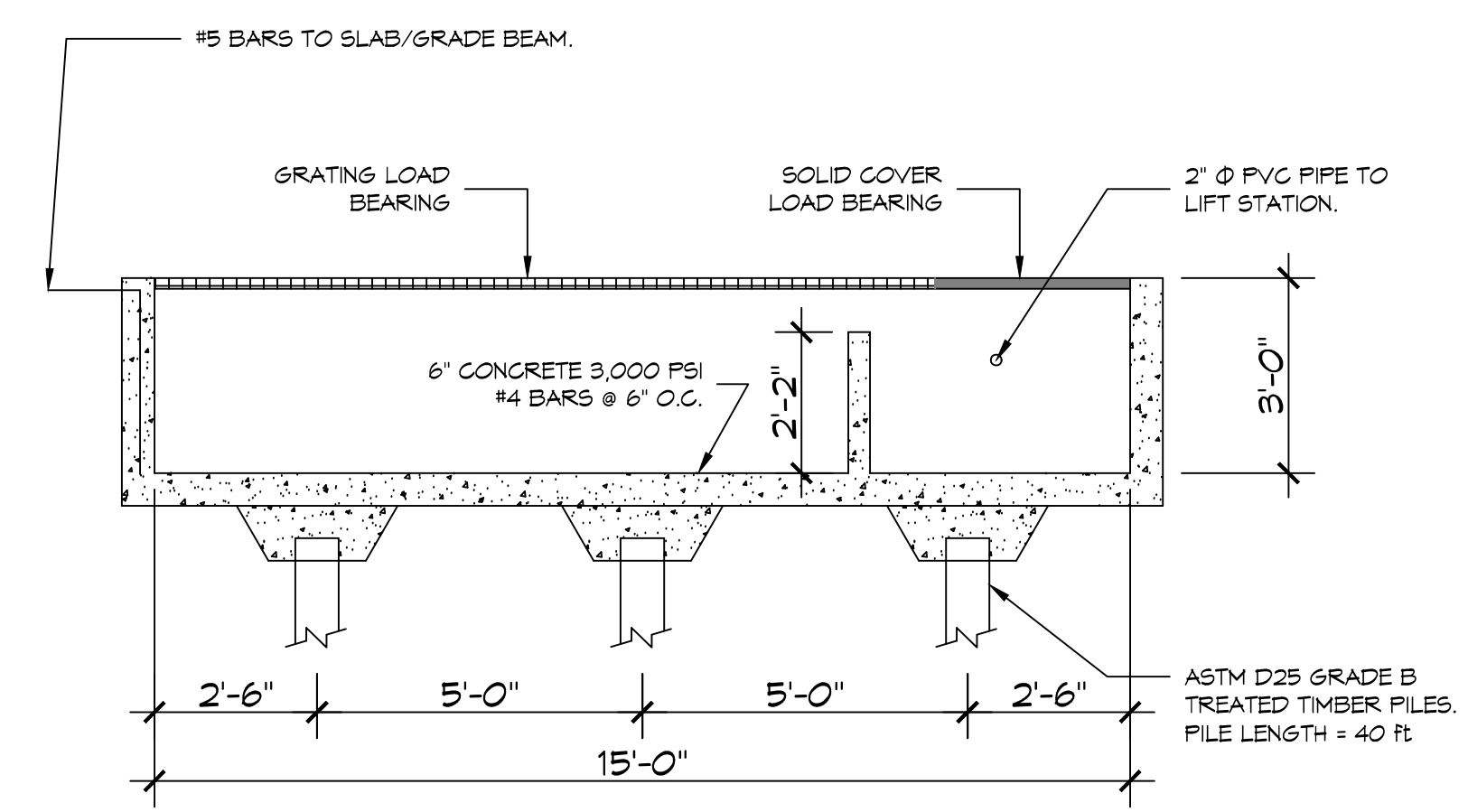
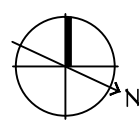
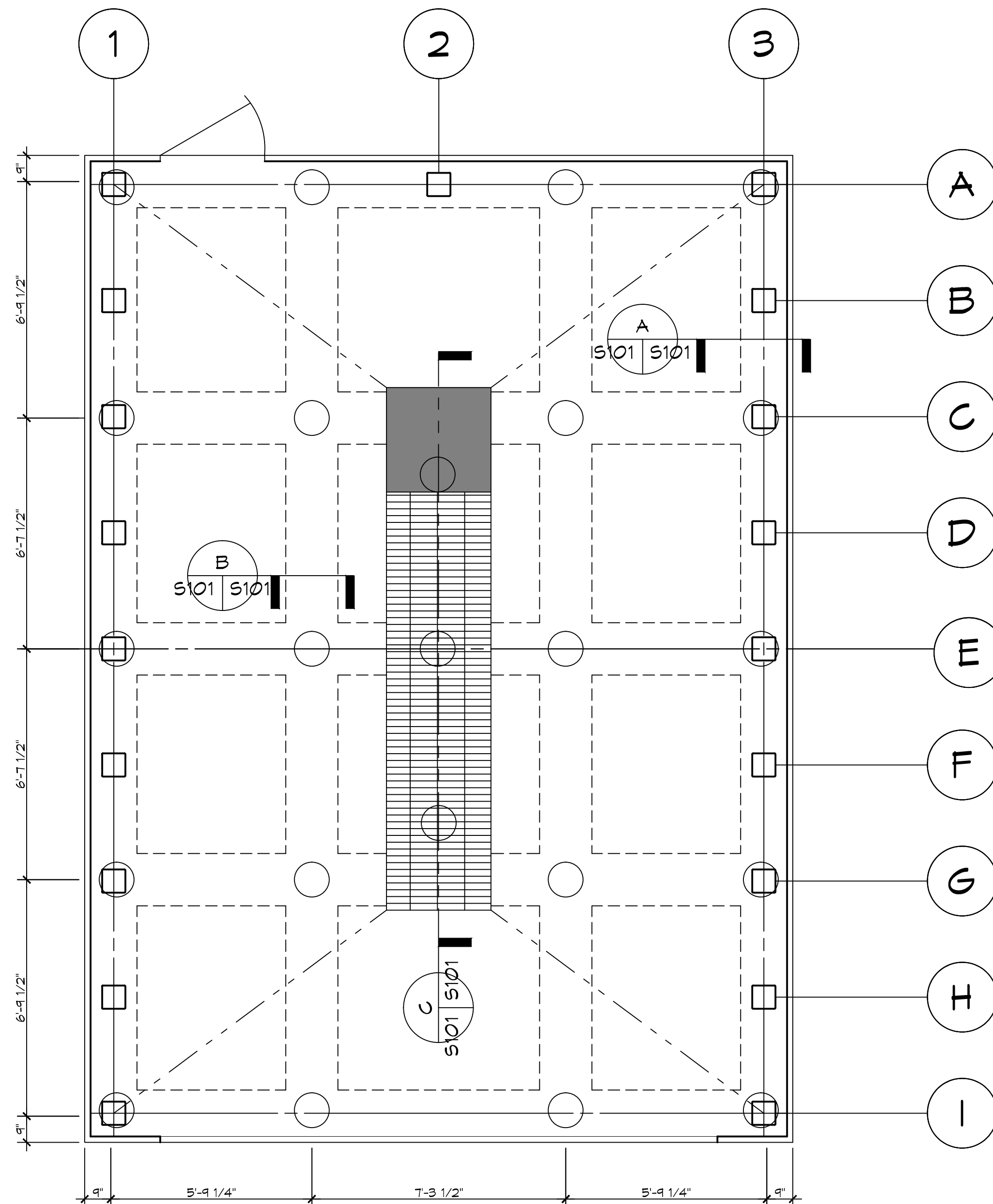


FILE NAME: \\s101\Office\mrc\mrc\2016\0222 - Blue Line Wash Rack\0222\0222.dwg, PLOT DATE: 02/25/2016, PLOT TIME: 10:54:58 AM, PLOT BY: mrc



DAMMON ENGINEERING, INC.
 554 Old Spanish Trail, Suite 100
 Slidell, LA 70458
 (866) 618-5802
 www.dammonengineering.com
 info@dammonengineering.com
 PH: 985.649.5832

Chief Engineer: Brian Mistich, PE
 554 Old Spanish Trail
 Slidell, LA 70458

#	DESCRIPTION	DATE
1	ADD STRUCTURAL SHEET TO PLAN SET	1/29/2016

SEAL:
 PRELIMINARY

WASH RACK
 BLUELINE RENTALS
 2450 PESTREJAN AVENUE
 HARVEY, LOUISIANA 70058
 JOB No: 2219
 DATE: 25 FEBRUARY 2016
 DRAWN BY: DFD
 CHECKED BY: K.K.

SHEET TITLE:
 ELEVATION

DRAWING NUMBER:
S101