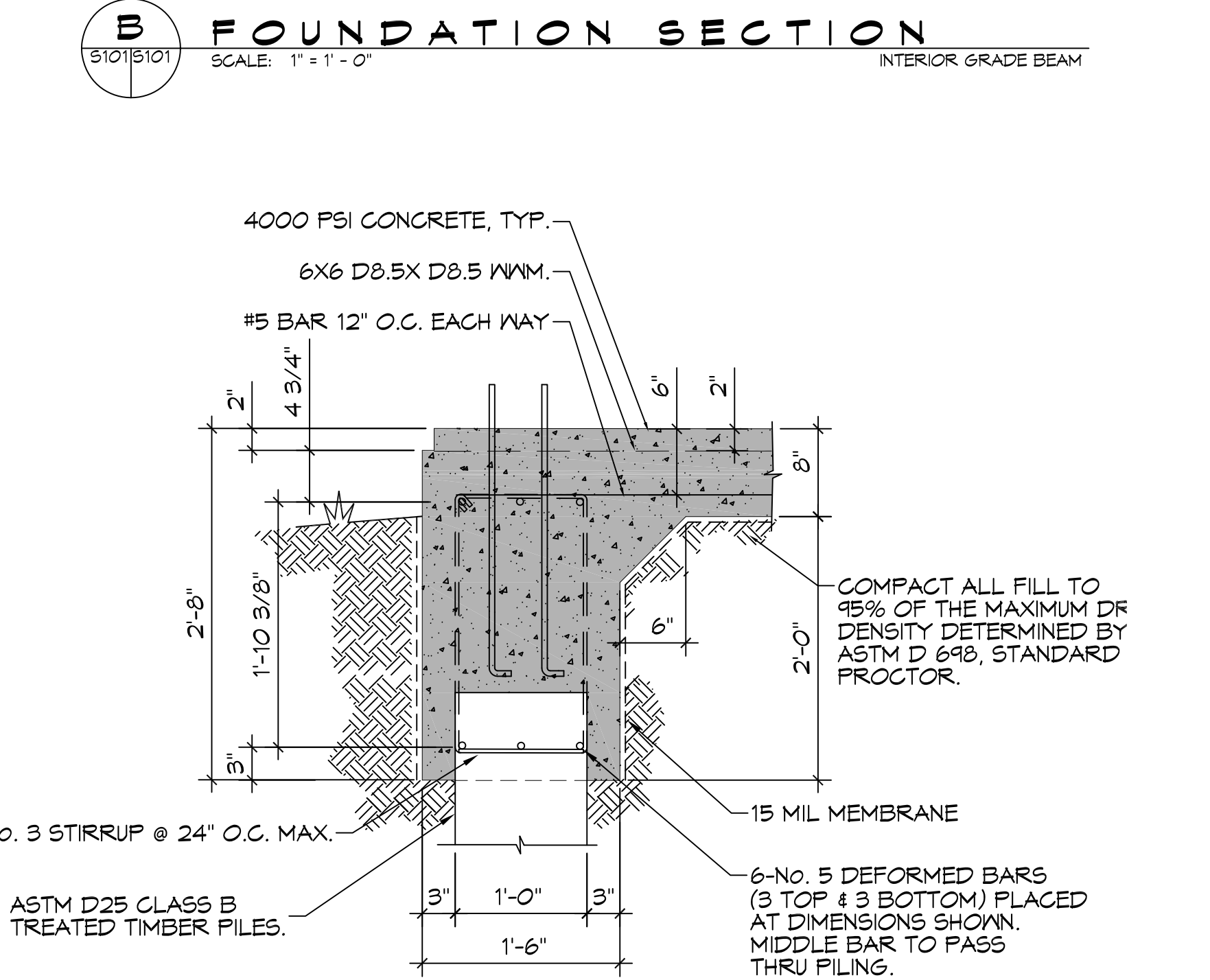
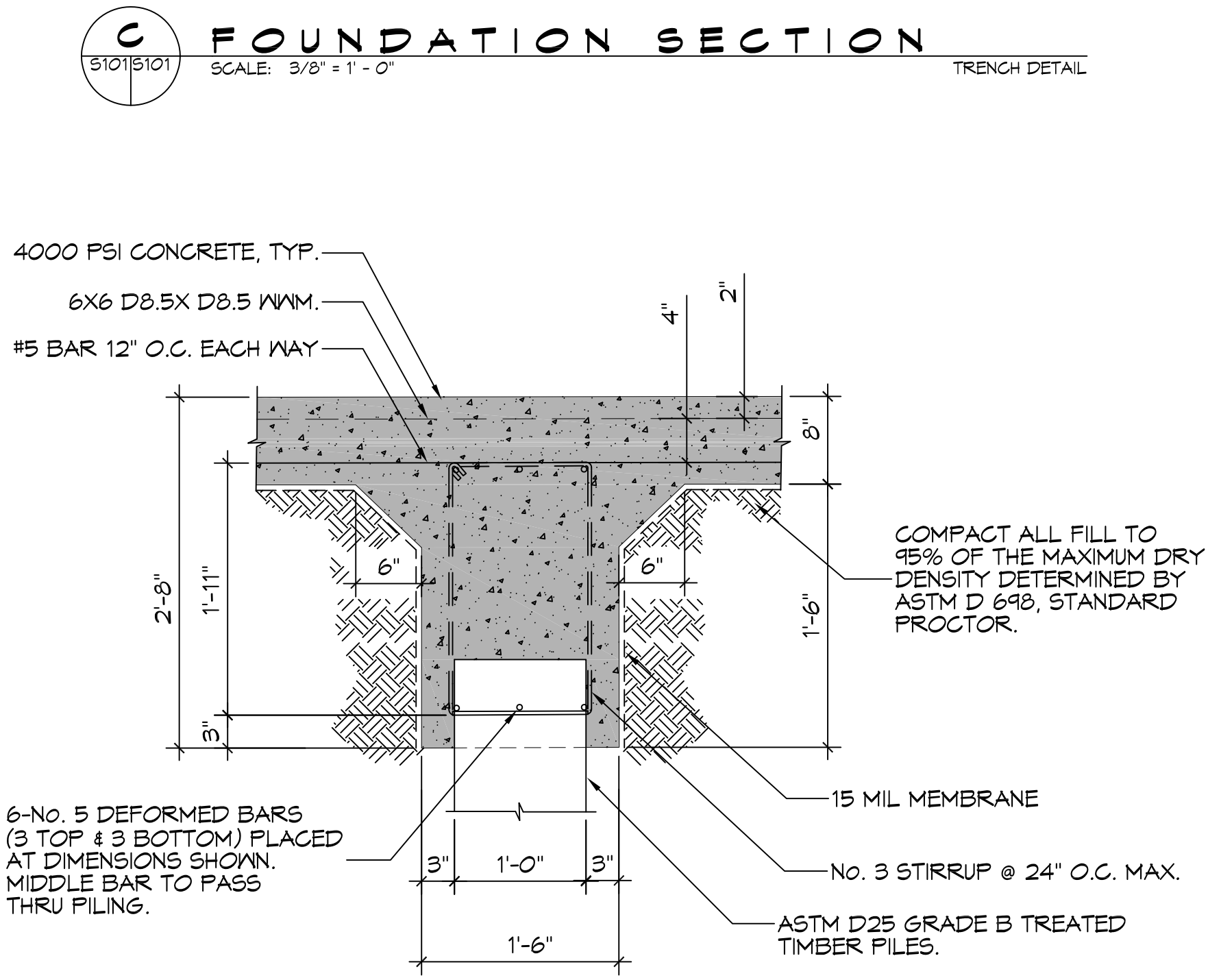
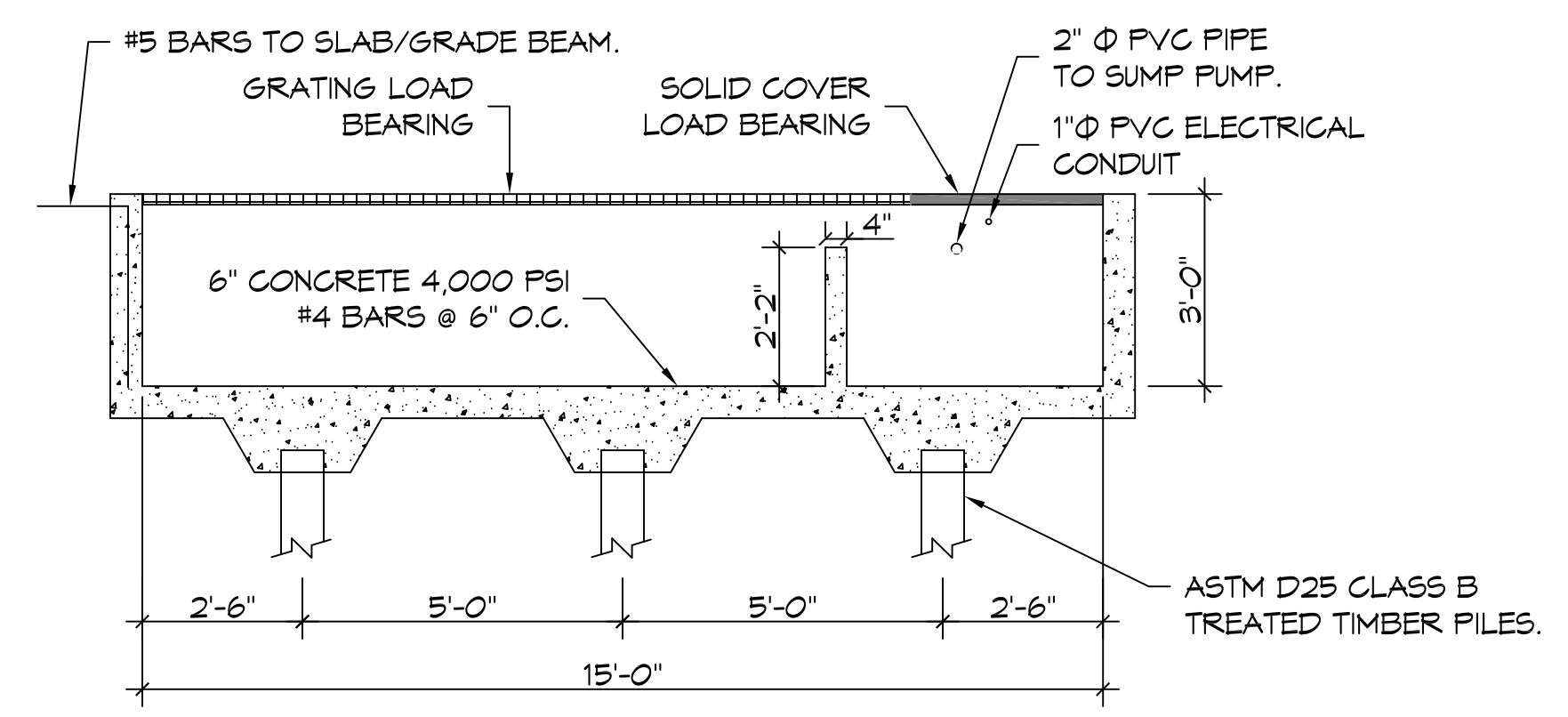
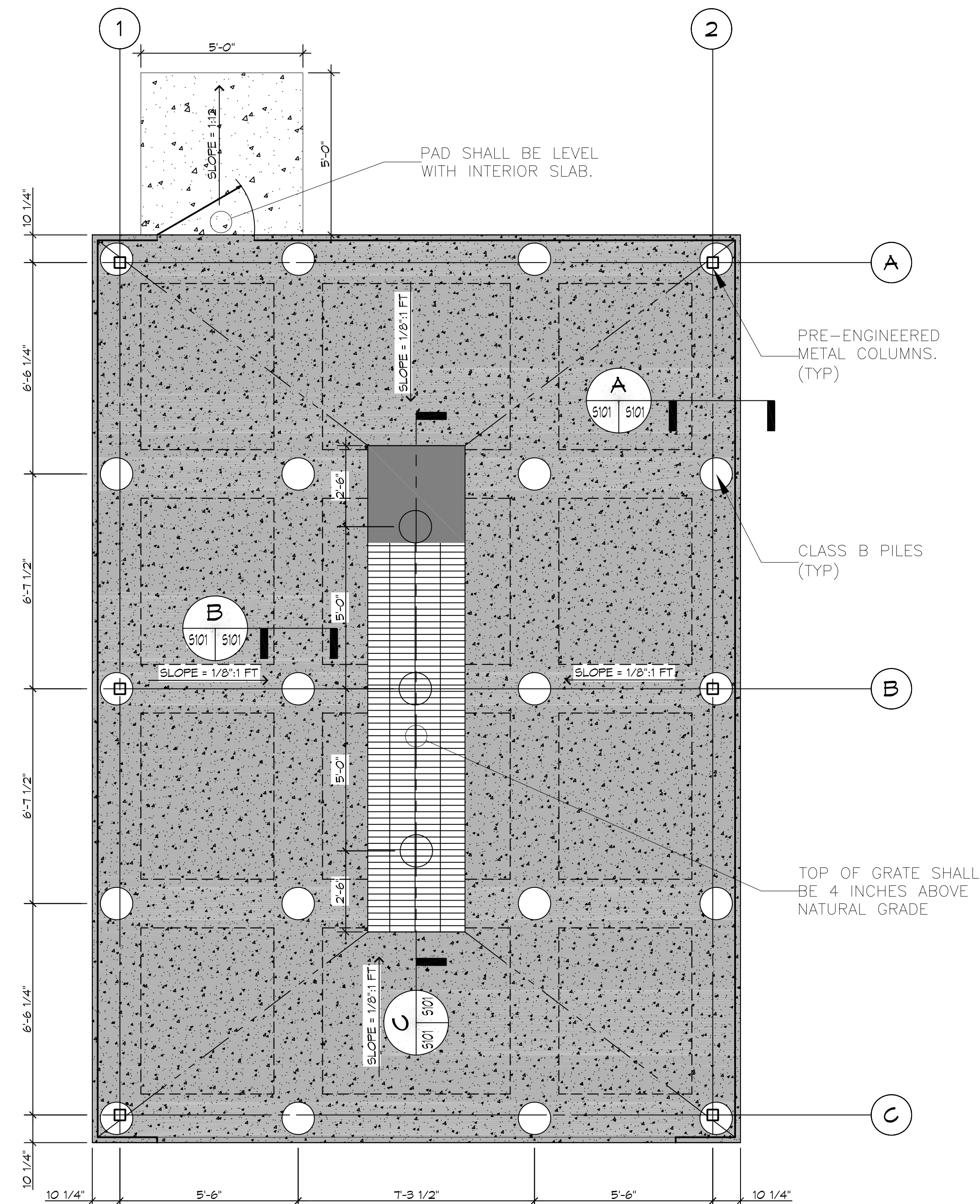


FILE NAME: \\s:\office\wms\wms\2016\04\13\16\101\101.dwg PLOT DATE: 04/13/2016 10:14:58 AM



PILING NOTES

1. PILES SHALL BE 40' MINIMUM LENGTH, CLASS B TREATED TIMBER PILES; PILES SHALL HAVE A 8 INCH TIP AND 12 INCH BUTT.
2. ALL PILES TO BE EMBEDDED 40 FT. MINIMUM INTO NATURAL SOIL.
3. NO FIELD SUPERVISION OR INSPECTION PROVIDED UNDER THIS SEAL UNLESS OTHERWISE NOTED.
4. PILE LAYOUT MAY BE MODIFIED DUE TO ACTUAL DRIVING CONDITIONS. ENGINEER SHALL BE NOTIFIED OF ANY MODIFICATION.
5. A PILE BLOW COUNT LOG OF ALL PILES SHALL BE SUBMITTED TO THE ENGINEER OF RECORD. FAILURE TO SUBMIT SAID LOG WILL RELEASE THE ENGINEER OF ALL RESPONSIBILITY.
6. CONTRACTOR IS RESPONSIBLE FOR THE COMPARISON & VERIFICATION OF PILE LAYOUT DIMENSIONS WITH MOST RECENT ARCHITECTURAL DRAWINGS, ASSURING THAT PILES DO FALL WITHIN LIMITS OF THE DESIGN.

GENERAL FOUNDATION NOTES

1. ALL DIMENSIONS ARE EDGE OF CONCRETE (EOC) TO EDGE OF CONCRETE (EOC) UNLESS NOTED OTHERWISE.
2. VERIFY ALL PLUMBING AND ELECTRICAL ROUGH-IN LOCATIONS.
3. CONCRETE MIX SHALL HAVE A MINIMUM COMPRESSIVE STRENGTH OF 4000 PSI AT 28 DAYS. CONCRETE MIX SHALL BE IN ACCORDANCE WITH ACI-318.
4. ALL CONVENTIONAL REINFORCING STEEL SHALL MEET ASTM-A615 (GRADE 60).
5. ONE LAYER OF POLYETHYLENE VAPOR BARRIER SHALL BE PLACED UNDER ALL CONCRETE. VAPOR RETARDER TO BE MINIMUM 10 MIL THICKNESS; ASTM E 1745 CLASS A, PERMEANCE LESS THAN 0.01 PERMS, EQUAL TO STEGO INDUSTRIES STEGO WRAP, ECOSHIELD-E 15 MIL BY EPORO, OR IRONBAR 15 BY FLATIRON FILMS. PROVIDE APPROPRIATE ACCESSORIES FOR A COMPLETE SYSTEM. OVERLAP VAPOR BARRIER EDGES BY 24 INCHES.
6. ALL REINFORCING STEEL AND MESH SHALL BE SECURELY SUPPORTED TO PREVENT BOTH VERTICAL AND HORIZONTAL MOVEMENT DURING CONCRETE PLACEMENT.
7. THE CONTRACTOR SHALL VERIFY ALL DROPS, OFFSETS, BRICK LEDGES, DIMENSIONS AND CONFIGURATIONS. CONTRACTOR MUST BE RESPONSIBLE FOR SAME.
8. GRADE BEAM DIMENSIONS MAY VARY BY -5%, +20%.
9. NEW SPREAD CONCRETE FOOTINGS AND CONTINUOUS FOOTINGS, BEARING ON COMPACTED STRUCTURAL FILL SHALL BE AT LEAST 2 FEET BELOW FINISHED GRADE.

1 FOUNDATION PLAN
SCALE: 3/8" = 1'-0"

C FOUNDATION SECTION
SCALE: 3/8" = 1'-0" TRENCH DETAIL

B FOUNDATION SECTION
SCALE: 1" = 1'-0" INTERIOR GRADE BEAM

A FOUNDATION SECTION
SCALE: 1" = 1'-0" EXTERIOR LOAD BEARING GRADE BEAM

DAMMON ENGINEERING, INC.
554 Old Spanish Trail
Slidell, LA 70458
PH: 985.649.5832
www.dammonengineering.com
info@dammonengineering.com

Chief Engineer: Brian Mistich, PE
554 Old Spanish Trail
Slidell, LA 70458

| # | DESCRIPTION | DATE |
|---|-------------|------|
| | | |
| | | |
| | | |
| | | |
| | | |
| | | |

SEAL:

WASH RACK BLUELINE RENTALS
2480 DESTREHAN AVENUE
HARVEY, LOUISIANA 70059
JOB No: 227R DATE: 13 APRIL 2016
DRAWN BY: DFP CHECKED BY: BAW

SHEET TITLE:
STRUCTURAL PLAN

DRAWING NUMBER:

S101