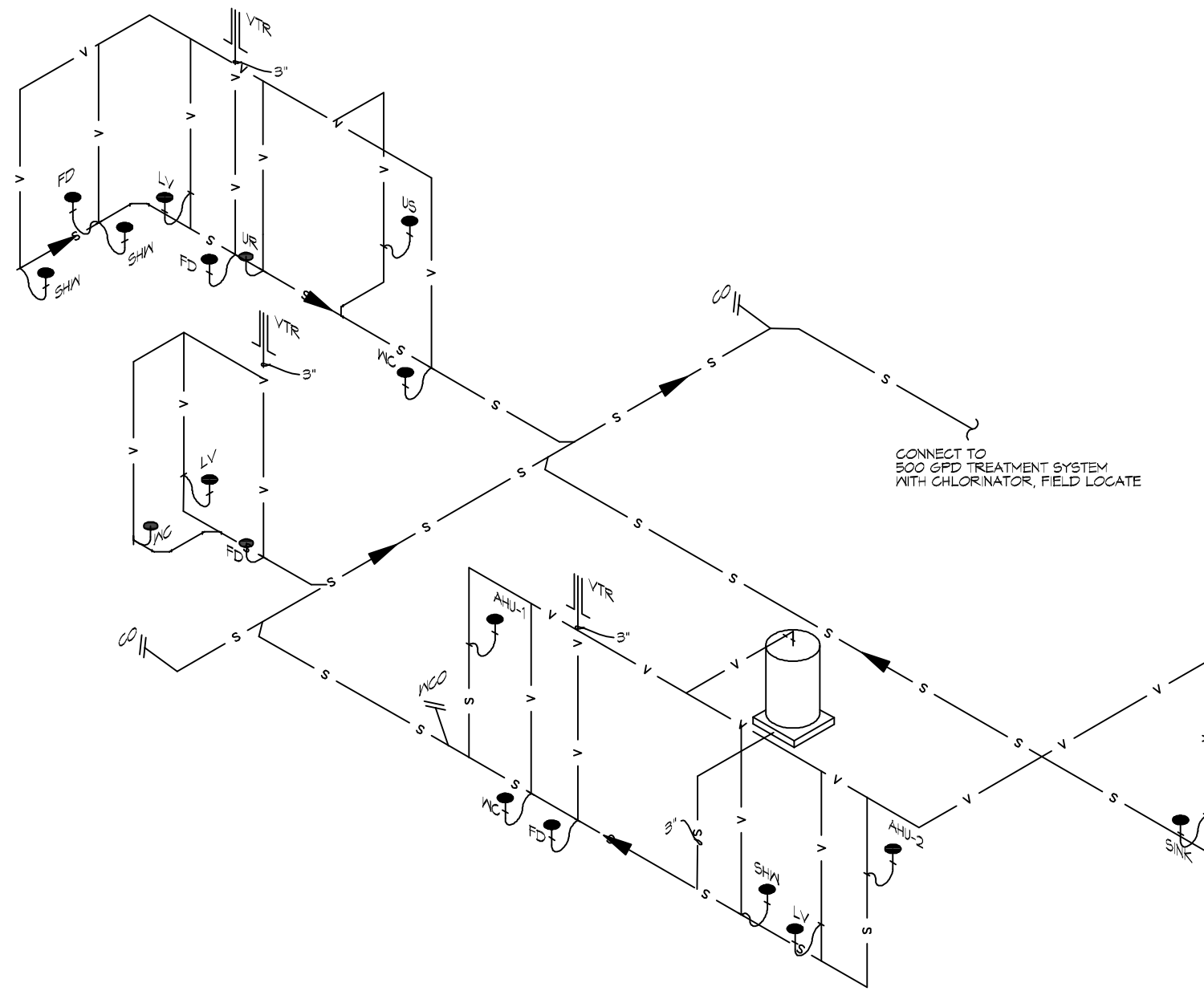
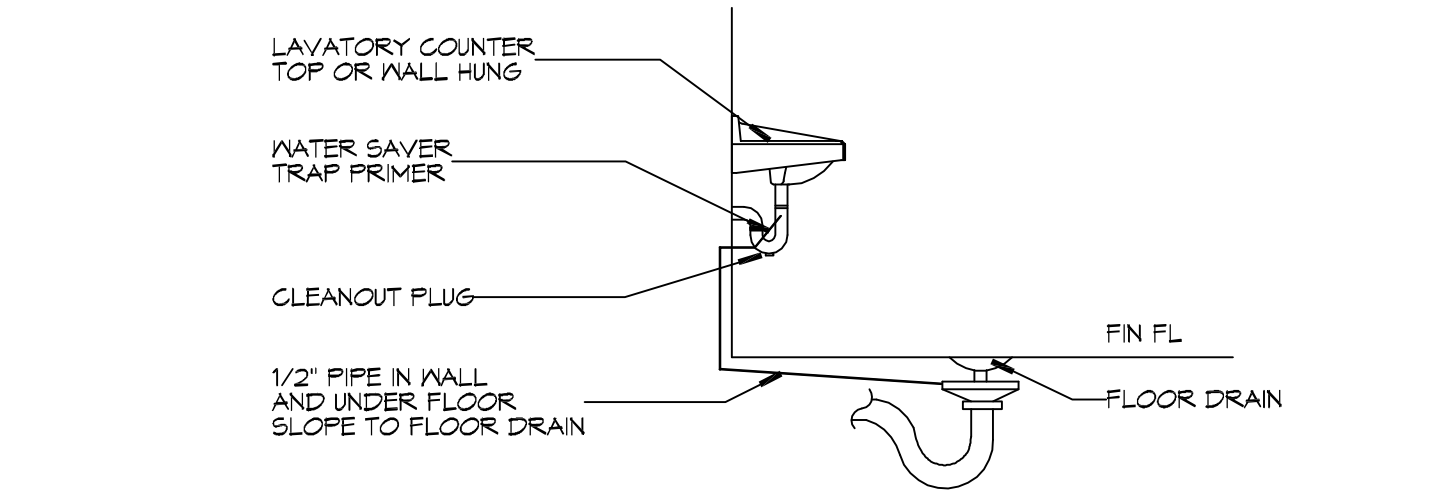


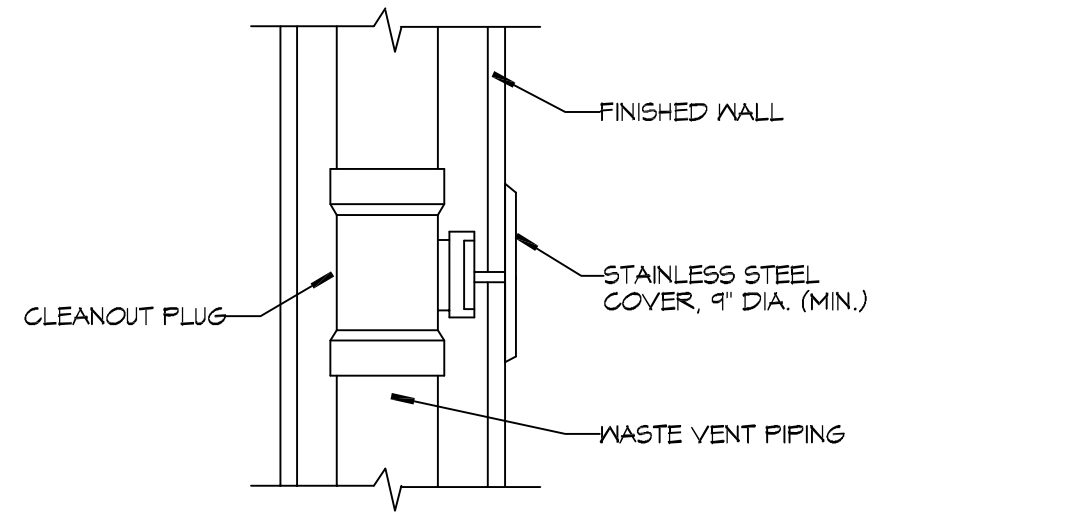
FILE NAME: J:\Projects\2023\2023-0001 - New Office Warehouse\2023 - Plumbing\2023-0001 - Plumbing.dwg DATE: 10/05/2023 10:05:00 AM



20 PLUMBING RISER DIAGRAM
SCALE: NTS



21 TYPICAL DETAILS
SCALE: NTS MISCELLANEOUS PLUMBING



22 TYPICAL DETAILS
SCALE: NTS MISCELLANEOUS PLUMBING

GENERAL PLUMBING NOTES

- PLUMBING LINES SHOWN ARE DRAWN DIAGRAMATIC IN NATURE AND REPRESENT CONCEPTUAL ROUTING ONLY. CONTRACTOR IS RESPONSIBLE FOR FIELD VERIFICATION OF ALL ACTUAL CONDITIONS.
- PROVIDE ALL LABOR, MATERIAL, TRANSPORTATION, SUPERVISION, CLEAN-UP, SERVICES, AND EQUIPMENT FOR A COMPLETE OPERATING SYSTEM. THE SYSTEM SHALL INCLUDE HOT AND COLD WATER PIPING, SEWER AND VENT PIPING, INSULATION, WATER HEATER, HANGERS, VALVES, SUPPORTS WITHOUT ANY RESTRICTIONS TO VOLUME, CUT AND PATCH AS REQUIRED TO INSTALL PIPES.
- ALL WORK AND MATERIAL SHALL CONFORM STRICTLY TO THE LATEST LOCAL, CITY, PARISH, STATE AND NATIONAL GOVERNING CODES. MUST MEET LA STATE PLUMBING CODE 2013 REQUIREMENTS.
- CONTRACTOR IS TO FIELD VERIFY ALL EXISTING UTILITY LOCATIONS, ELEVATIONS AND SIZES PRIOR TO COMMENCING ANY WORK. CONTRACTOR SHALL PAY NECESSARY FEES FOR THE UTILITIES CONNECTIONS.
- CONTRACTOR IS RESPONSIBLE TO VERIFY THE EXISTING INVERTS AND SET NEW INVERTS OF SEWERAGE AND DRAINAGE PIPES.
- SEWERAGE LINES 3-INCH AND SMALLER SHALL BE SLOPED 1/4" PER FOOT AND LINES 4-INCH AND LARGER SHALL BE 1/8" PER FOOT.
- TEST ALL PIPING AT REQUIRED PRESSURE.
- ALL PLUMBING SHALL BE CLOSELY COORDINATED WITH STRUCTURAL, MECHANICAL SYSTEM AND ELECTRICAL SYSTEMS TO INSURE NO TRADES WILL CONFLICT WITH EACH OTHER.
- DO NOT SCALE DRAWINGS. SEE ARCHITECTURAL DRAWINGS FOR EXACT LOCATIONS OF DOORS, WINDOWS, WALLS, FIXTURES, ETC.
- ALL WATER MAINS AND PIPING NOT SHOWN FOR CLARITY, ALL LOCATIONS FIELD VERIFIED.
- DOMESTIC HOT AND COLD WATER PIPING AND FITTINGS UNDER SLAB SHALL BE ASTM B88 COPPER WATER TUBE, TYPE K, SOFT ANNEALED. NO JOINTS SHALL BE ALLOWED UNDER THE SLAB.
- DOMESTIC WATER PIPING AND FITTINGS ABOVE THE SLAB SHALL BE ASTM B88 COPPER WATER TUBE, TYPE L, HARD DRAWN WITH COPPER PRESSURE TYPE FITTINGS, ANSI B16.22. THE JOINTS SHALL BE SOLDERED TYPE USING ASTM B32, ALLOY GRADE #5A (15-5) SOLDER.
- SOIL, WASTE, VENT PIPING AND FITTINGS ABOVE THE SLAB SHALL BE SERVICE WEIGHT CAST IRON PIPE WITH BELL AND SPIGOT ENDS AND ONE PIECE NEOPRENE INSERT TYPE GASKET. USE PVC SCHEDULE 40 OR ABS DWV PIPES AND FITTINGS WHERE PERMITTED BY CODE.
- ALL WATER PIPING AND FITTINGS ABOVE THE FLOOR SHALL BE INSULATED WITH 1/2" THICK FIBERGLASS INSULATION AND JACKET.
- ALL ELECTRICAL, MECHANICAL AND PLUMBING ELEMENTS PENETRATING FIRE PARTITIONS SHALL BE FIRE CAULKED. (PENETRATIONS THROUGH RATED CONSTRUCTION SHALL BE SEALED WITH A MATERIAL CAPABLE OF PREVENTING THE PASSAGE OF FLAMES AND HOT GASES WHEN TESTED IN ACCORDANCE WITH ASTM-E814.)
- SEE ROOF PLAN FOR PLUMBING ROOF PENETRATIONS. ROUTE VENT PIPES IN ATTIC AS NECESSARY.
- ALL VENTS THROUGH ROOF (VTR) SHALL BE LOCATED A MINIMUM OF 10'-0" FROM ANY MECHANICAL OR NATURAL AIR INTAKE.

PLUMBING ABBREVIATIONS

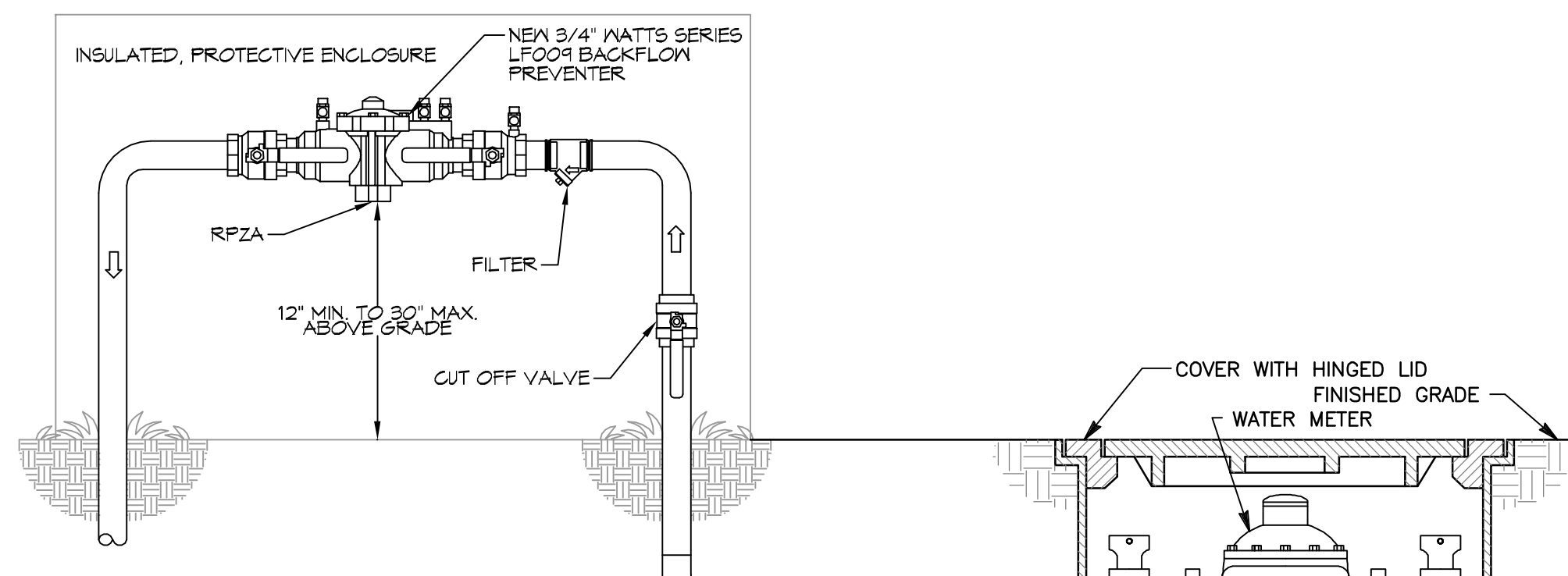
US	UTILITY SINK	MCO	WALL CLEAN OUT
LAV	LAVATORY		
WC	WATER CLOSET		
UR	URNAL		
AHU#	AIR HANDLING UNIT		
FD	FLOOR DRAIN		
SHW	SHOWER		

LEGEND

SYMBOL	DESCRIPTION
—S—S—	SANITARY SEWER
—V—V—	VENT PIPE
—FD	FLOOR DRAIN
—CO	LINE CLEAN OUT
—MCO	WALL CLEAN OUT

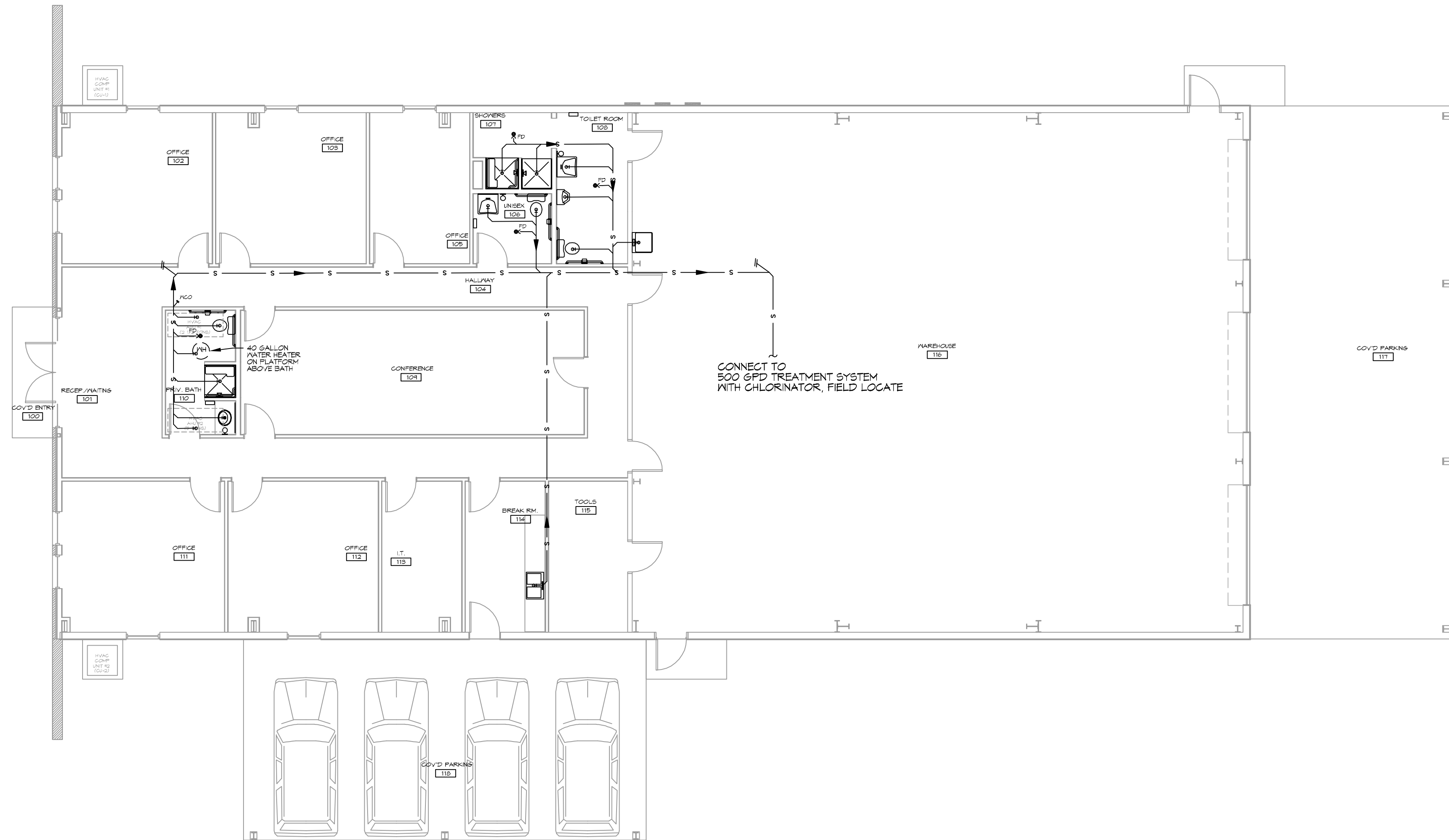
PLUMBING FIXTURE SCHEDULE

ITEM	DESCRIPTION	SOIL OR WASTE	VENT	COLD WATER	HOT WATER	
WC	WATER CLOSET	4"	3"	1"	—	FLUSH VALVE, MATCH EXISTING
LAV	LAVATORY	1-1/2"	2"	1/2"	1/2"	MATCH EXISTING
US	UTILITY SINK	3"	2"	1/2"	1/2"	FIAT MODEL #MSB 2424 OR EQUAL, 24"X24"X10" FIBERGLASS BASIN WITH MODEL #B30-AA FAUCET WITH VACUUM BREAKER AND PAIL HOOK, AND MODEL #B84-CC OR EQUAL MOP HANGER.
FD	FLOOR DRAIN	3"	2"	—	—	COATED CAST IRON WITH ADJUSTABLE NICKEL BRONZE GRATE, TRAP PRIMER CONNECTION AND DEEP SEAL TRAP. EQUAL TO JAY R. SMITH 2010-B-P.
FCO	FLOOR CLEAN OUT	—	—	—	—	MADE #N-8004-Y OR EQUAL, CAST IRON W/ADJUSTABLE HOUSING, ROUND HEAVY CAST IRON VANDAL PROOF TOP.
MCO	WALL CLEAN OUT	—	—	—	—	MADE #N-8453-R6 OR EQUAL, WITH BRASS PLUG AND ROUND STAINLESS STEEL SECURED ACCESS COVER.



TYPICAL RPZA RISER DETAIL
NOT TO SCALE

NOTE: ALL CONNECTIONS TO POTABLE WATER SYSTEMS SHALL BE PROTECTED WITH AN APPROVED BACK-FLOW PREVENTER



19 PLUMBING PLAN
SCALE: 3/8"=1'-0"

DAMMON ENGINEERING, INC.
 LOUISIANA & MISSISSIPPI
 Chief Engineer: Brian Mistich, PE
 554 Old Spanish Trail
 Slidell, LA 70688
 www.dammonengineering.com
 info@dammonengineering.com
 PH: 985.449.9832

REVISIONS	DATE	DESCRIPTION

SEAL:

NEW OFFICE WAREHOUSE
ZEIGLER & TIMBER, CO.
 L.A. HWY 1095 DEER CROSS DRIVE
 MADISONVILLE, LA 70447
 JOB NO: 2893 DATE: 10-05-2018
 DRAWN BY: GSD CHECKED BY: BAM

SHEET TITLE:
PLUMBING PLAN
 DRAWING NUMBER:
P101
 SHEET No: 6 of 9