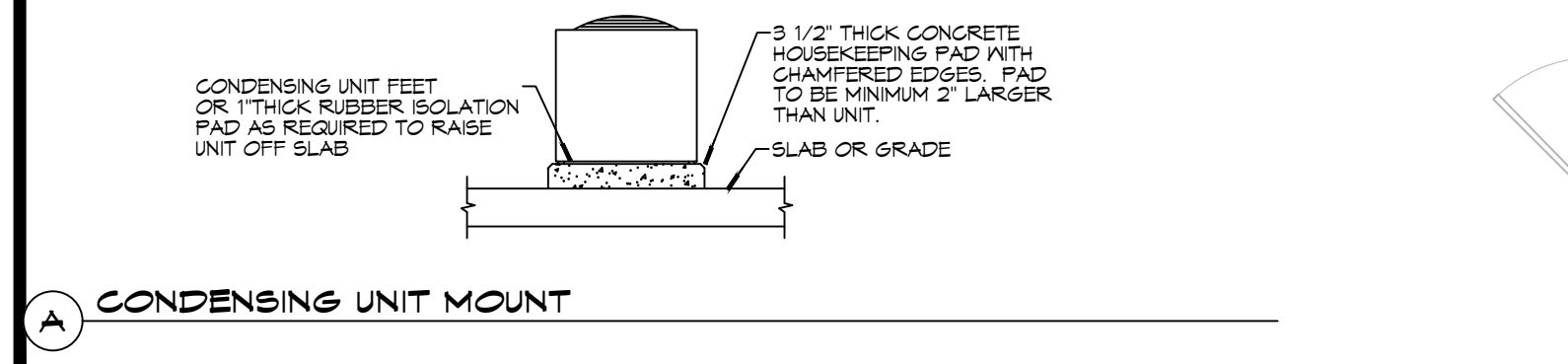
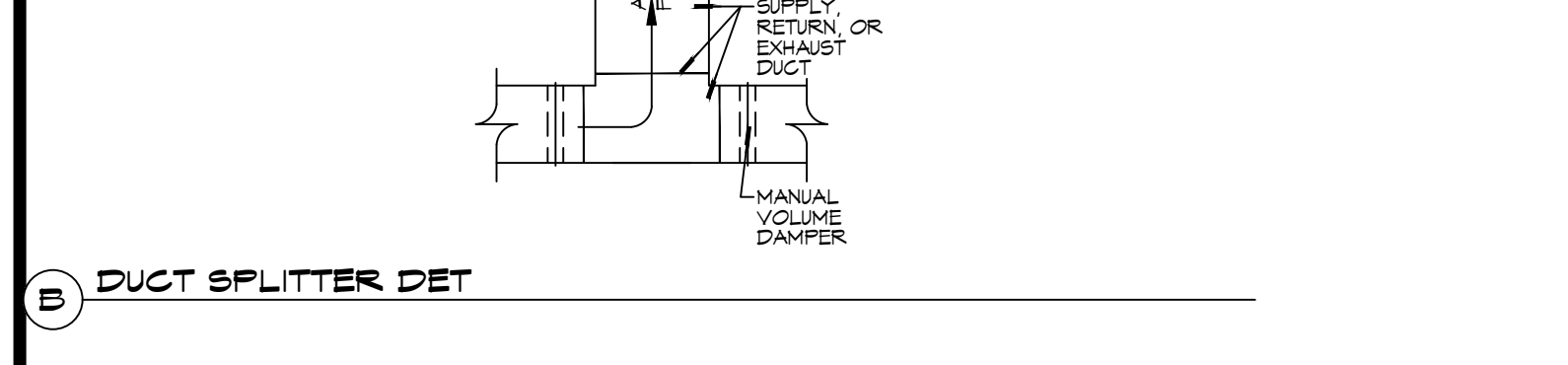
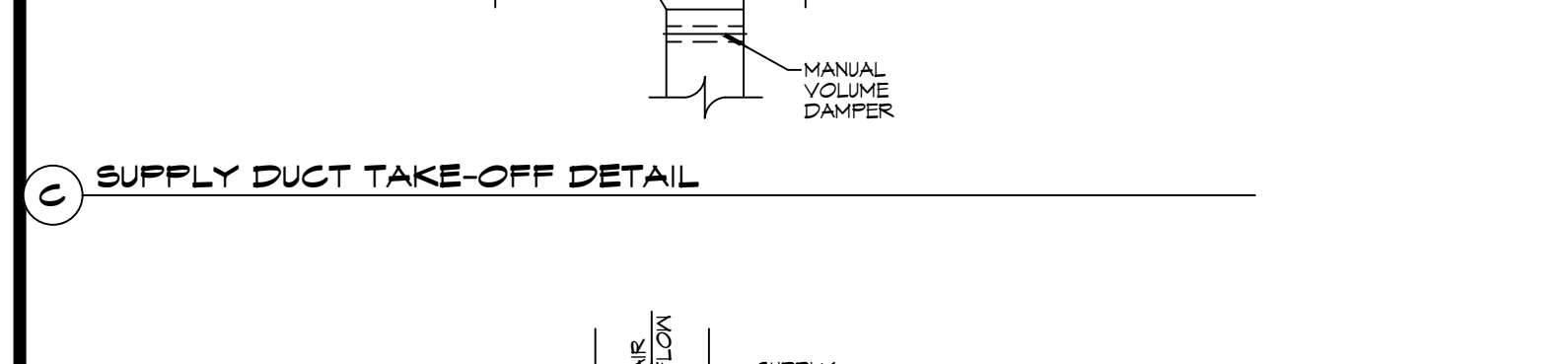
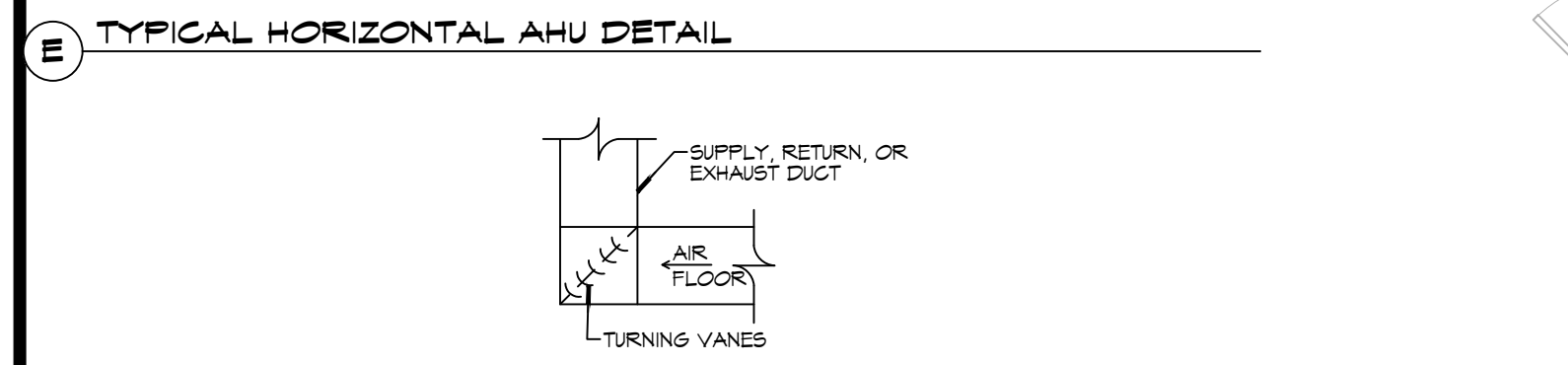
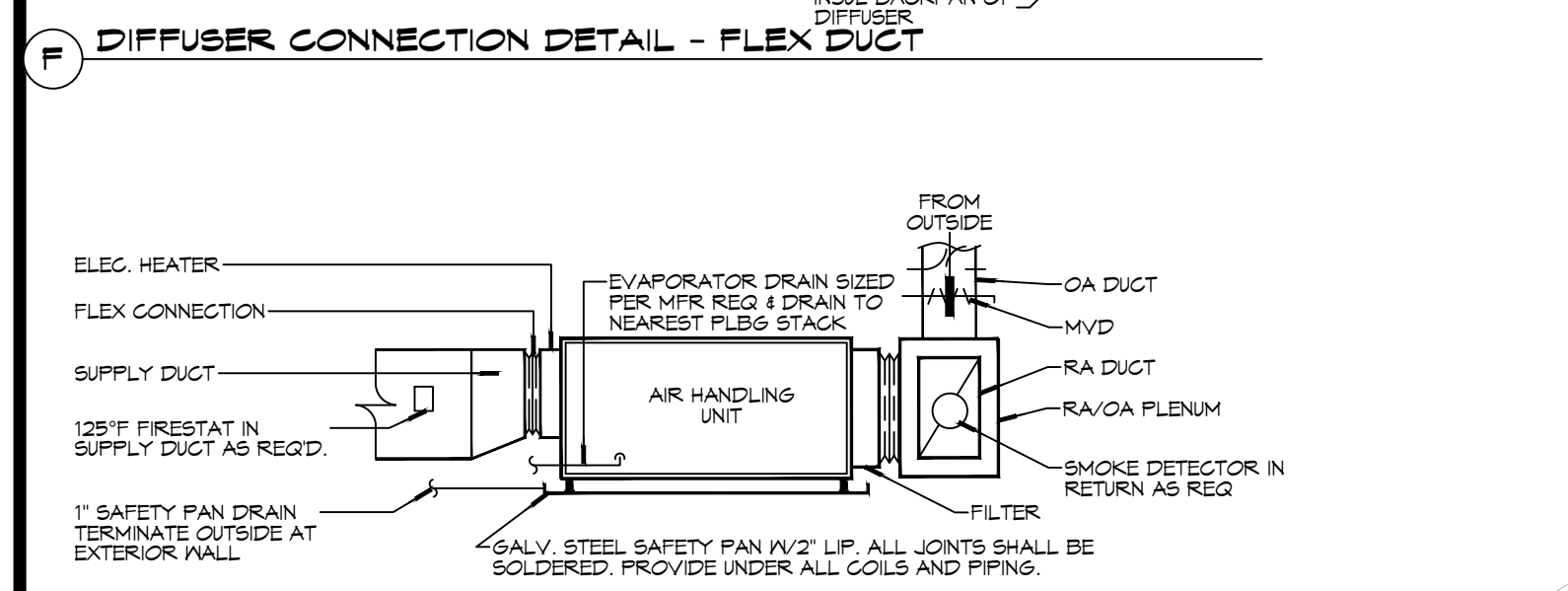
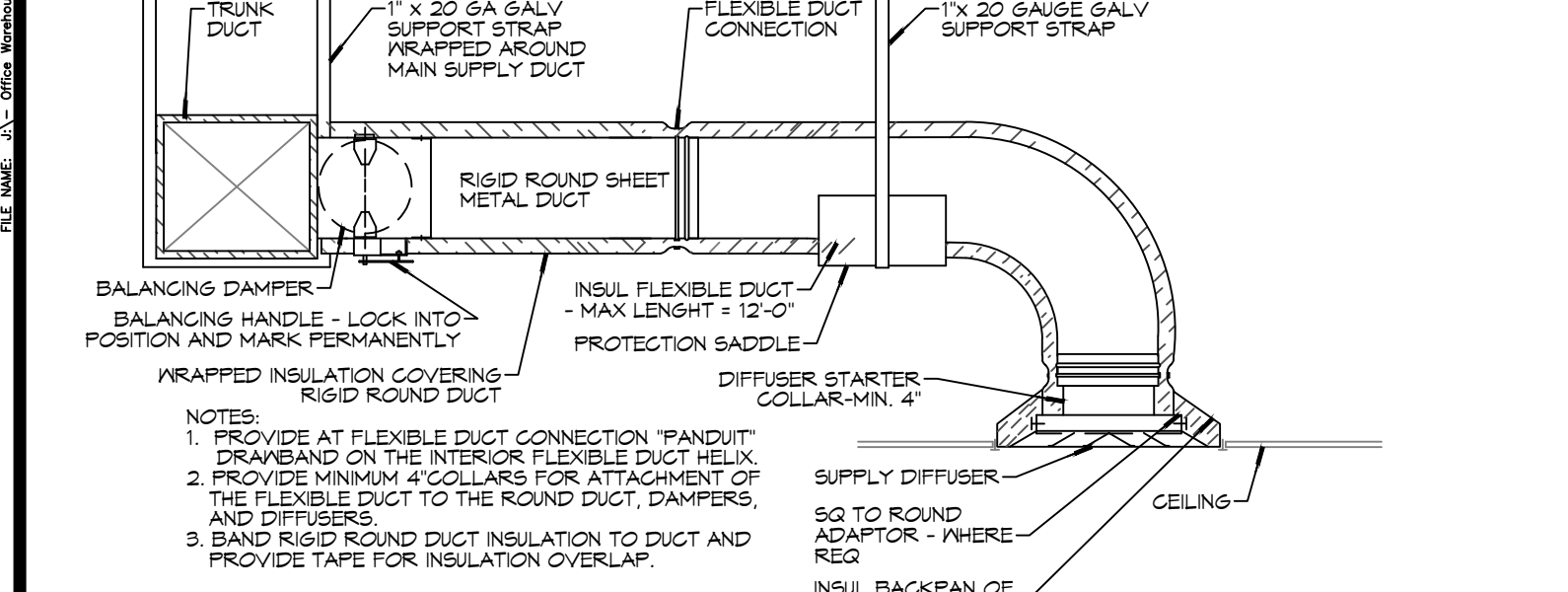


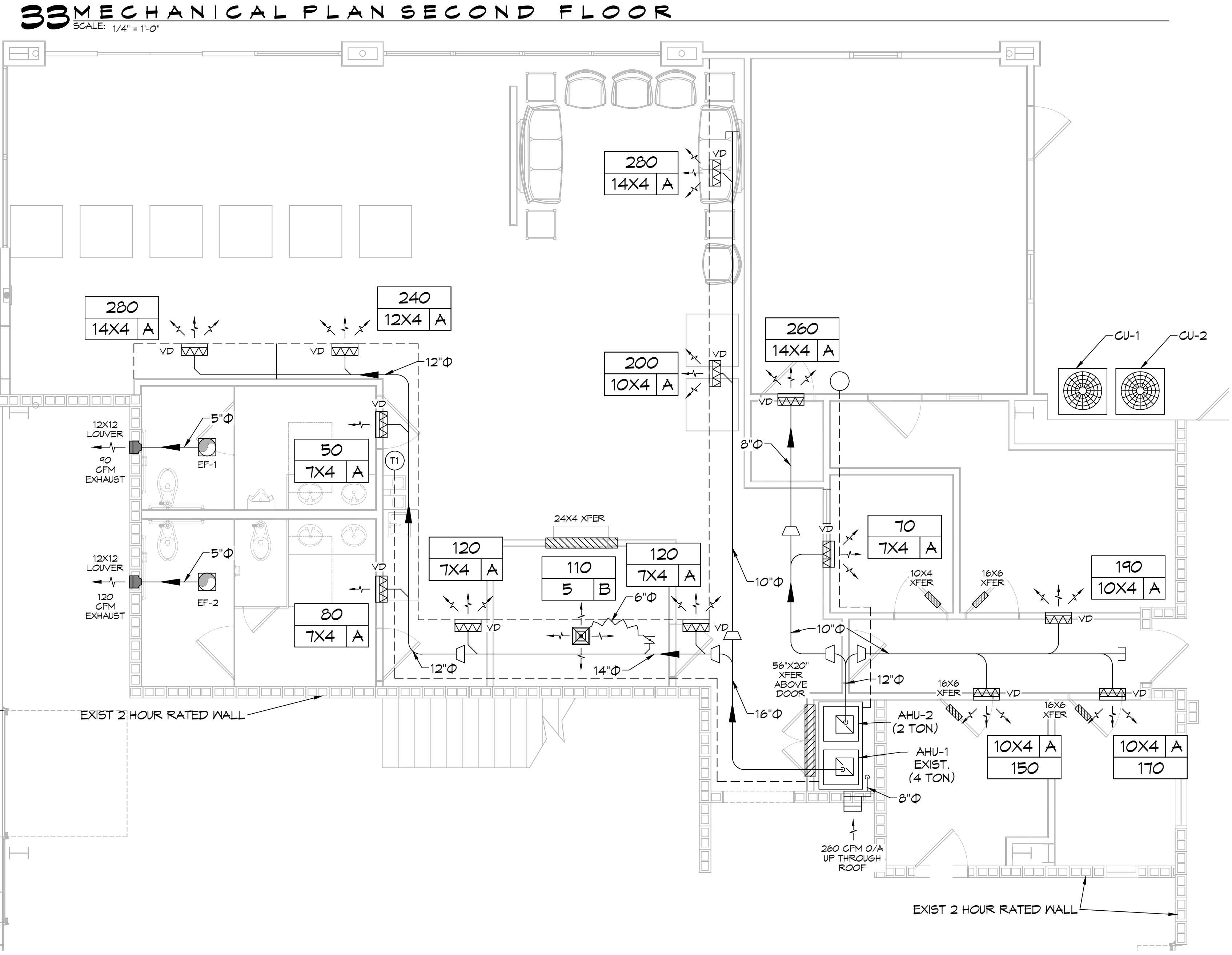
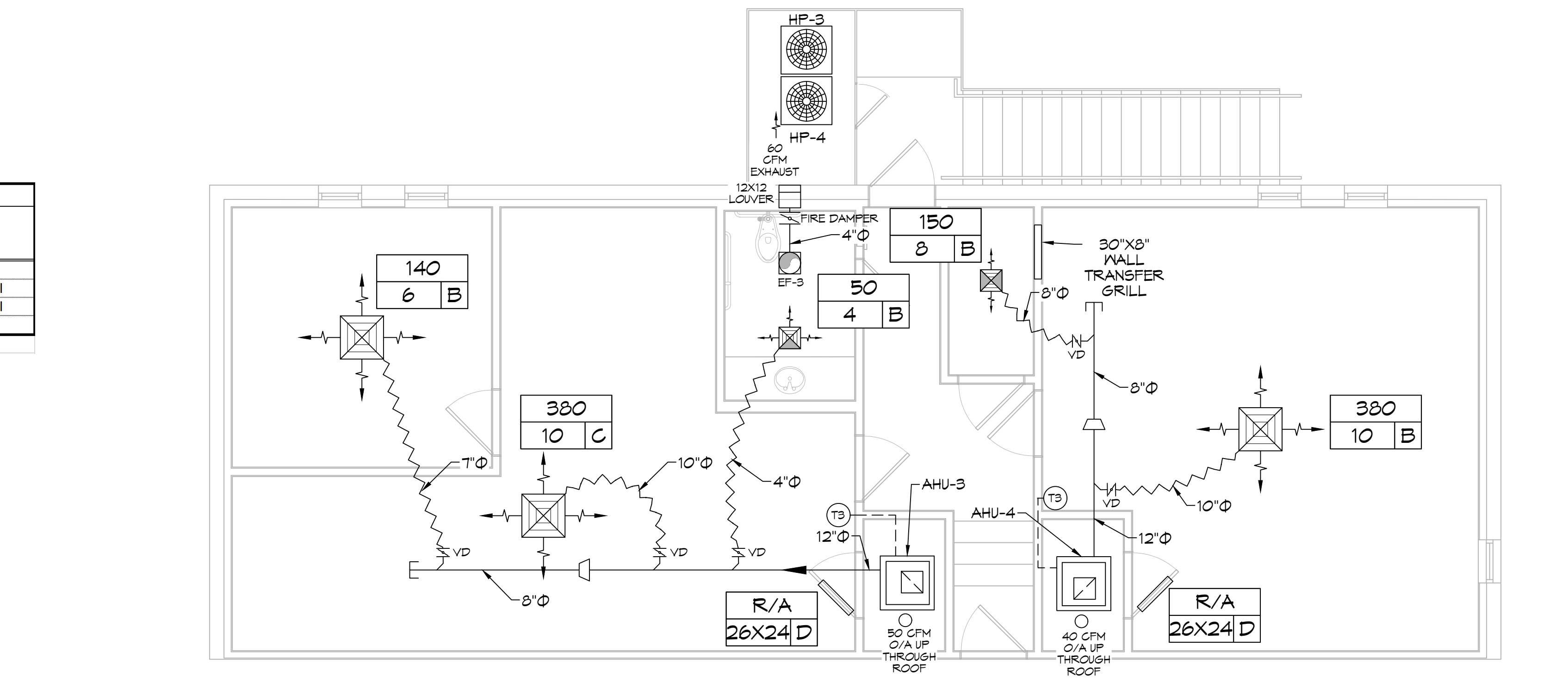
SPLIT SYSTEM SCHEDULE																					
AIR HANDLER							CONDENSER														
Tag	Area Served	Tons (Nominal)	Total CFM	O/A (CFM)	Position	Make	Model	Cooling TMB	Gas Heat SMBH	MBH	Motor HP	Power VAC	PH	Tag	Make	Model	VAC	PH	MCA	Remarks	
AH1-1	Office	4	1480	280	Uplift	Goodman	GAR509004C	48.6	35.2	80	1/2	115	1	CU-2	Goodman	GSE140481	208	1	26.4	1, 2, 3, 4, 5	
AH1-2	Lobby	4	1480	280	Uplift	Goodman	GAR509004C	48.6	35.2	80	1/2	115	1	CU-2	Goodman	GSE140481	208	1	26.4	1, 2, 3, 4, 5	
AH1-3	Office	1-1/2	570	50	Uplift	Goodman	AR1P1830	13.7	11.4	13	208	1	CU-3	Goodman	GSE140181	208	1	12.2	1, 2, 3, 4		
AH1-4	Office	1-1/2	570	50	Uplift	Goodman	AR1P1830	13.7	11.4	13	208	1	CU-4	Goodman	GSE140181	208	1	12.2	1, 2, 3, 4		

DIFFUSER SCHEDULE			
Mark No.	Service	Neck Size	Description
A	Supply Air	Ref. Plan	Price 620D Register, Double Deflection w/ Damper
B	Supply Air	Ref. Plan	12"x 12" Adjustable Square Cone Diffuser, Price ASCDA w/ Insulated Back Panel
C	Supply Air	Ref. Plan	24"x 24" Adjustable Square Cone Diffuser, Price ASCDA w/ Insulated Back Panel
D	Transfer Grille	Ref. Plan	Sight proof steel transfer grille, Price STG

EXHAUST FAN SCHEDULE							
TAG	FAN			POWER			REMARKS
	AIRFLOW (CFM)	TSP ("wc)	AMPS	VAC	PH	HZ	
EF-1	120	0.1	0.4	120	1	60	Broan A110 1, 2
EF-2	90	0.2	0.4	120	1	60	Broan A110 1, 2
EF-3	60	0.2	0.37	120	1	60	Broan A80 1, 2



32 DETAILS
SCALE: N.T.S.

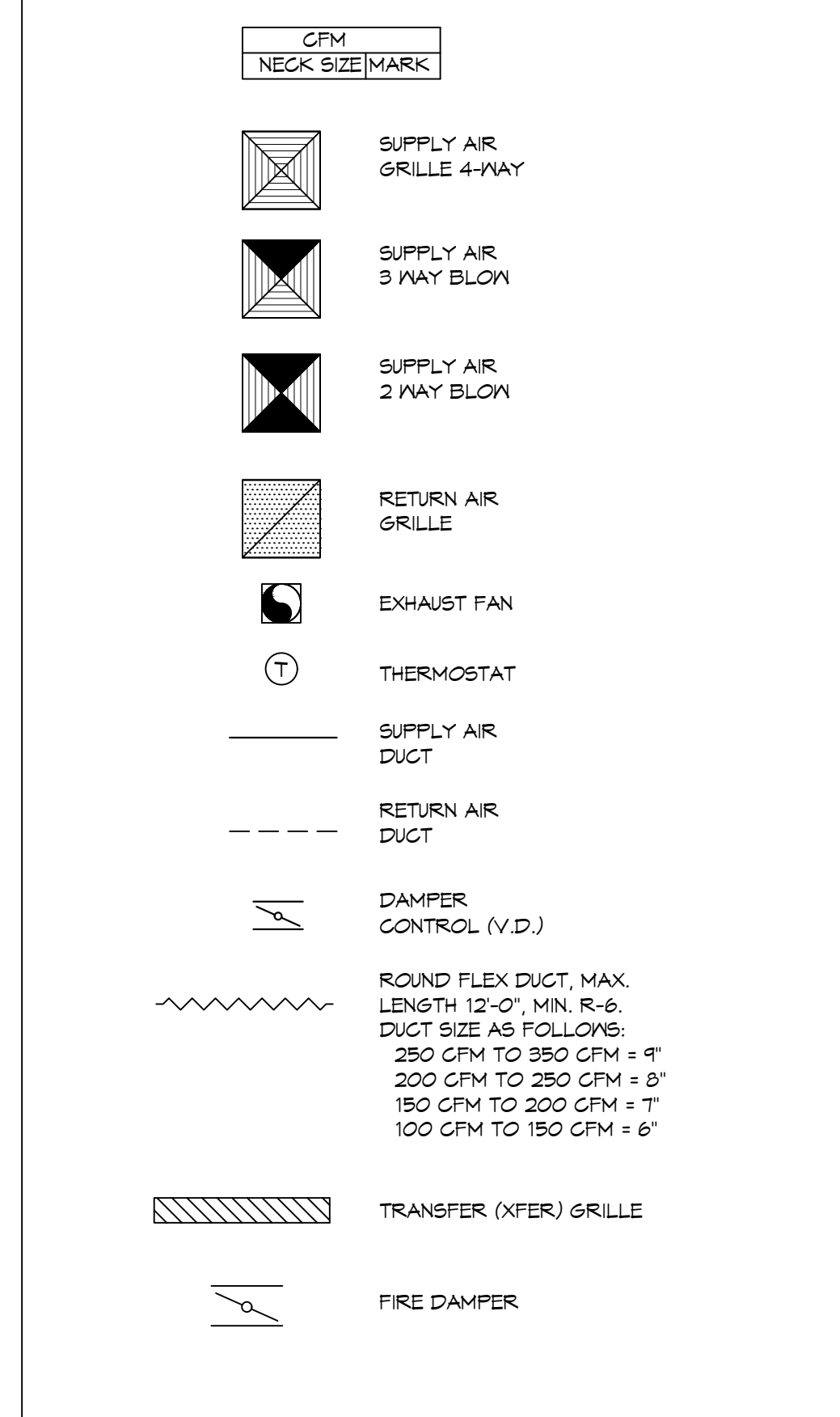


34 MECHANICAL PLAN FIRST FLOOR
SCALE: 1/4" = 1'-0"

GENERAL HVAC NOTES

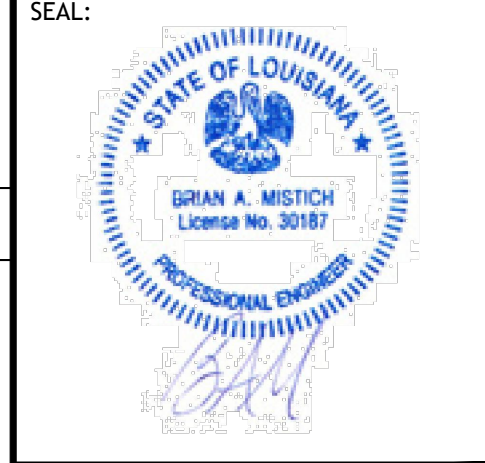
- CONCEALED DUCTWORK TO BE GALVANIZED SHEET METAL WRAPPED WITH FIBROUS GLASS DUCT WRAP WITH FSK VAPOR BARRIER, MIN R-6. INSTALLED PER SMACNA STANDARDS. DUCT WORK IMMEDIATELY DOWNSTREAM FROM AHU SHALL BE LINED FOR SOUND ATTENUATION.
- EXPOSED DUCTWORK TO BE GALVANIZED SHEET METAL LINED WITH FIBROUS GLASS DUCT LINER, MIN R-6. INSTALLED PER SMACNA STANDARDS.
- ROUND FLEXIBLE DUCT TO BE UL-181, CLASS 1, AIR DUCT MATERIALS.
- DUCT SIZES SHOWN ARE CLEAR INSIDE DIMENSIONS.
- IN ALL SYSTEMS OVER 2000 CFM AND LESS THAN 15,000 CFM, SMOKE DETECTORS SHALL BE INSTALLED IN ACCORDANCE WITH NFPA 72E IN THE RETURN DUCT DOWNSTREAM OF THE AIR HANDLING UNIT AND ALL FILTERS TO AUTOMATICALLY STOP THE FAN.
- PROVIDE UL LISTED 125°F FIRESTAT IN RETURN AIR OF EACH SYSTEM UNDER 2000 CFM TO SHUT DOWN THE FAN IN THE EVENT OF FIRE.
- PROVIDE UL RATED FIRE DAMPERS WHERE REQUIRED AT ALL DUCT PENETRATIONS OF FIRE-RATED ASSEMBLIES AND WHERE REQUIRED BY CODE, INCLUDING OUTSIDE AIR INTAKES AND EXHAUST FANS.
- CONDENSATE DRAINS TO BE PVC PIPE RUN TO PLUMBERS P-TRAP WITHIN FIVE FEET OF AIR HANDLING UNITS.
- ALL AIR HANDLING SYSTEMS TO BE BALANCED TO ASSURE PROPER AIR FLOWS PER PLANS.
- ALL THERMOSTATS TO BE AUTOMATIC CHANGEOVER WITH HEAT SWITCH.
- EXHAUST FAN SHALL BE CONTROLLED BY A SWITCH ON THE WALL IN THE SAME LOCATION AS LIGHT SWITCHES. PROVIDE BACK DRAFT DAMPER.
- PROVIDE AND INSTALL WATER PROOF GRILLE VENT IN PROPER ROOF LOCATION FOR PLUMBING FIXTURE EXHAUST.
- ALL SUPPLY AIR VENTS SHALL BE EQUIPPED WITH AIR CONTROL DAMPERS AT THE REGISTER.
- LOCATE OUTDOOR UNITS AS SHOWN ON ARCHITECTURAL DRAWINGS.
- REFRIGERANT LINES SHALL BE SIZED BY UNIT MANUFACTURER AND INSTALLED ACCORDING TO MANUFACTURER'S INSTRUCTIONS.
- FRESH AIR SHALL BE SUPPLIED TO EACH AIR HANDLER THROUGH EXTERIOR WALL DUCT SUPPLIED WITH A CONTROL DAMPER.
- ALL ELECTRICAL, MECHANICAL, AND PLUMBING PENETRATING FIRE WALLS SHALL BE FIRE CAULKED. (PENETRATIONS THROUGH RATED CONSTRUCTION SHALL BE SEALED WITH A MATERIAL CAPABLE OF PREVENTING THE PASSAGE OF FLAMES AND HOT GASES WHEN TESTED IN ACCORDANCE WITH ASTM-E8-14).
- ALL MECHANICAL SYMBOLS ARE DRAWN DIAGRAMMATICALLY. CONTRACTOR TO VERIFY WITH OWNER LOCATIONS OF VENTS, DAMPERS, REGISTERS, ETC.
- FLEXIBLE DUCTWORK LENGTH NOT TO EXCEED 12'-0".
- REFER TO REFLECTED CEILING PLAN FOR FINAL GRILLE AND DIFFUSER LOCATIONS AND COORDINATE AS REQUIRED.
- FINAL LOCATION OF TEMPERATURE CONTROLS TO BE COORDINATED WITH OWNER AT JOB SITE.
- PROVIDE AND INSTALL SMOKE DETECTORS AS APPROVED BY LOCAL AHJ. PLACE NEAR R/A AND S/A OPENINGS OF AHU AND PROVIDE, WITH ACCESS PANEL, WIRING BY ELECTRICAL CONTRACTOR.
- FRESH AIR INTAKES ARE REQUIRED TO HAVE MOTORIZED OR GRAVITY DAMPERS TO SHUT OFF WHEN SYSTEM IS NOT RUNNING.
- PROVIDE BIRD SCREENS AT ALL EXTERIOR MECHANICAL PENETRATIONS.
- COORDINATE WALL MOUNTED THERMOSTAT LOCATIONS WITH ALL OWNER FURNISHED ITEMS EITHER WALL MOUNTED OR FLOOR MOUNTED AGAINST PARTITIONS. REFER TO ARCHITECTURAL DRAWINGS.
- PROVIDE MIN 18 GA GALVANIZED SHEET METAL TO BLANK-OFF GABLE VENTS WHERE INTAKE/EXHAUST DUCTS OCCUR.

LEGEND



DAMMON ENGINEERING, INC.
LOUISIANA & MISSISSIPPI
Chief Engineer: Brian A. Mistich, PE
554 Old Spanish Trail
Slidell, LA 70458
www.dammonengineering.com
info@dammonengineering.com
PH: 985-649-5832

#	DESCRIPTION	DATE



NEW SERVICE AREA
LEGACY BUICK GMC SLIDELL
248 E HONNE BEACH RD.
SLIDELL, LA 70458
JOB No: 12-12-2023
DATE: 12-12-2023
DRAWN BY: BAK
CHECKED BY: CKD

SHEET TITLE:
MECHANICAL FLOOR PLAN, SCHEDULES AND DETAILS
DRAWING NUMBER:
M101
SHEET No: 15 of 18