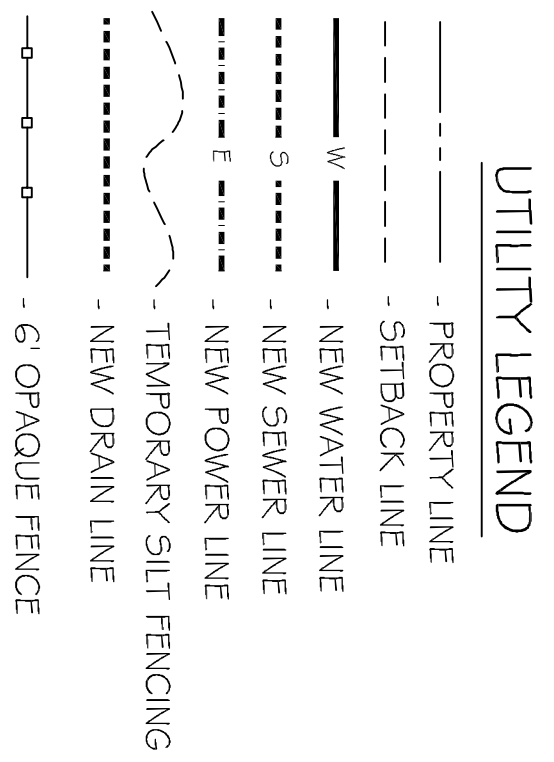
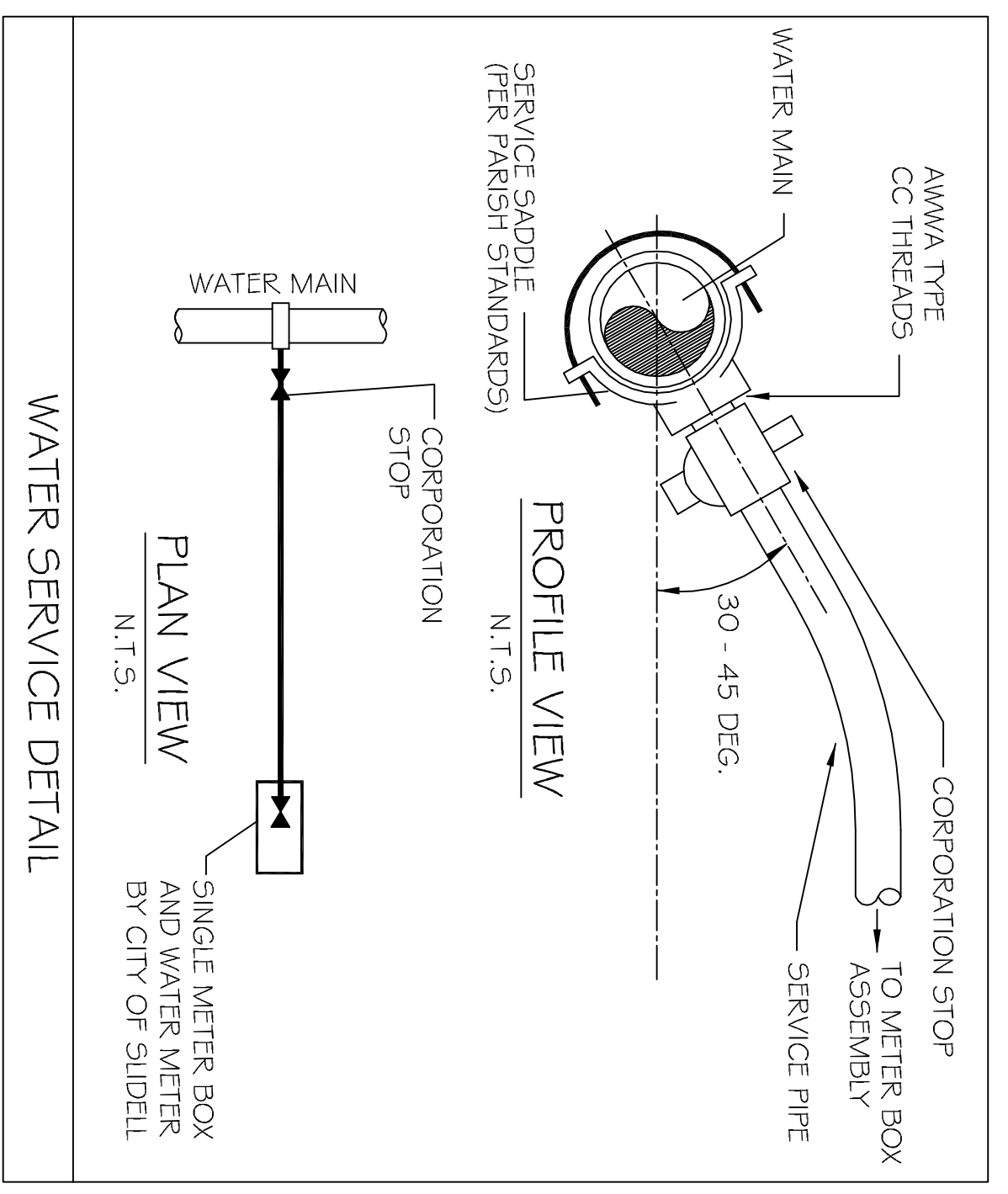
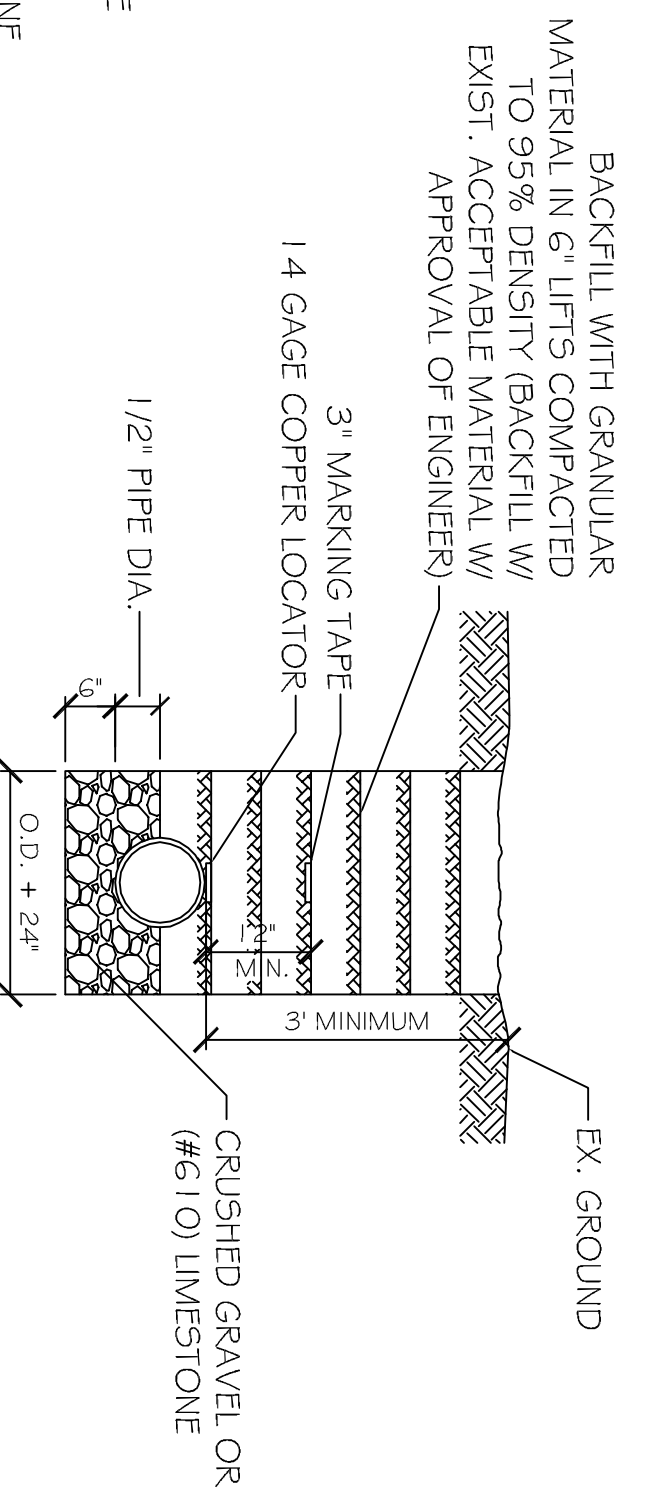


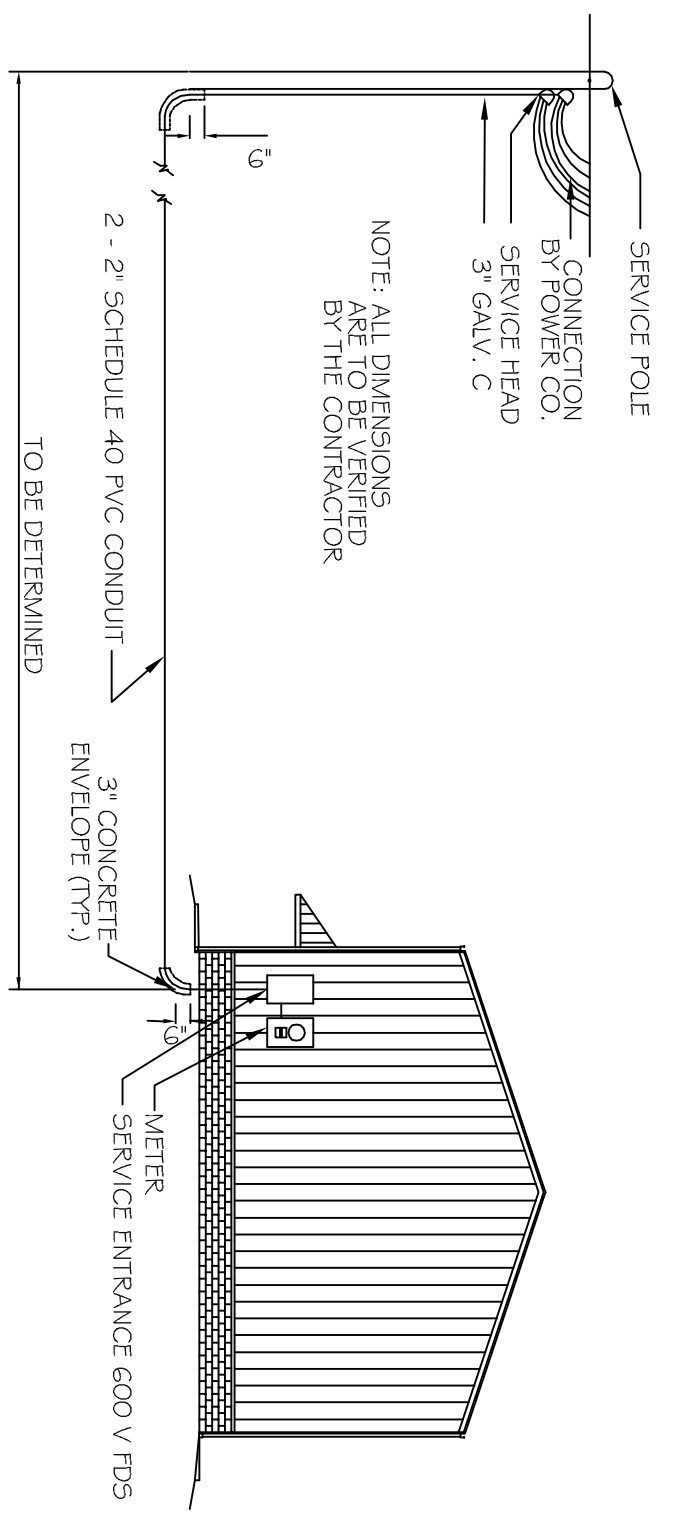
SITE UTILITY PLAN
SCALE: 1"=20'-0"



PIPE BEDDING DETAIL FOR SEWER AND WATER
SCALE: N.T.S.



- UTILITY NOTES:**
1. ELECTRICAL - SCH. 80 PVC CONDUIT WHERE PIPE IS EXPOSED OUTSIDE OF BUILDING WALL. TRANSITION BACK TO SCH. 40 PVC @ 90° PVC ELBOW BELOW GRADE. ALL 90° FITTINGS TO BE 36" LONG SWEEP TYPE.
 2. COORDINATE WITH ELEC. COMPANY REGARDING ELECTRICAL SERVICE CONNECTION.
 3. THE NEW WATER SERVICE INTO EXISTING WATER MAIN, FIELD VERIFY LOCATION. SEE DETAIL THIS SHEET



REVISIONS		
#	DESCRIPTION	DATE

BULK SYSTEM'S NEW OFFICE/WAREHOUSE BUILDING

1226 FREMEAUX AVENUE
SLIDELL, LOUISIANA 70455

JOB No: 2173 DATE: 04-22-2013

DRAWN BY: JTL CHECKED BY:

DAMMON ENGINEERING, INC.
Architects & Engineers

CHIEF ENGINEER, EMMETT DAMMON, P.E.
CHIEF ARCHITECT, KEVIN KINCHEN
554 OLD SPANISH TRAIL
SLIDELL, LA 70456

dammoneng@earthlink.net
dammoneng@bellsouth.net
PHONE: 985-649-5832
FAX: 985-641-5950